



Innovation, Sciences et  
Développement économique Canada  
Office de la propriété intellectuelle du Canada

Innovation, Science and  
Economic Development Canada  
Canadian Intellectual Property Office



# 2020

## Trademarks Journal

2020-10-21 — Vol. 67 No. 3443

# Trademarks Journal

## Vol. 67 No. 3443

---

### General Information

---

The *Trademarks Journal* (the “*Journal*”) is published on the website of the Canadian Intellectual Property Office (<http://cipo.gc.ca>). The *Journal* lists trademark applications advertised under subsection 37(1) of the *Trademarks Act* (the “*Act*”), public notices of prohibited marks under section 9 of the *Act*, statements of the Minister in respect of geographical indications under subsection 11.12(2) of the *Act*, as well as erratums to previous volumes.

---

### Electronic *Trademarks Journal*

---

The *Journal* is available in PDF format and can be downloaded free of charge and viewed and printed with Adobe Acrobat Reader. The *Journal* is also available in a printable HTML format as an alternate official version that contains a search function to narrow and customize the content. The electronic form of the *Journal* is the official version.

---

### Official Languages

---

The *Journal* is available in English and French. The details displayed for each application are based on the language of the application. If the language of the application is English, the goods, services, or other text and description appearing in the English version of the *Journal* are in the language filed by the applicant. If the language of the application is French, the goods, services, or other text and description appearing in the English version of the *Journal* have been translated. Any registration resulting from the application will be restricted to these goods or services as described in the language of the application.

---

### Filing Dates

---

The filing date of each trademark application (including those to extend the statement of goods or services of an existing registration) is shown in the YYYY-MM-DD format.

---

## Nice Classification

---

Where applicable and required, the *Journal* lists the goods or services of each application grouped according to the classes of the Nice Classification, each group being preceded by the number of the class of the Nice Classification to which that group of goods or services belongs and presented in the order of the classes of the Nice Classification.

---

## Opposition

---

Any person who has a valid ground of opposition (see section 38 of the *Act* for the grounds of opposition) to any application for registration of a trademark or to any application for registration of a trademark extending the statement of goods or services advertised in this *Journal* may file a statement of opposition with the Registrar of Trademarks within two months from the date of issue of this publication. The prescribed fee must accompany the statement of opposition.

ISSN 0041-0438 (printed)

ISSN 1701-4751 (online)

---

## Table of contents

---

---

Advertised applications .....	5
Applications to extend the statement of goods or services .....	767
Public notices under section 9 of the <i>Trademarks Act</i> .....	769
Withdrawal notices under section 9 of the <i>Trademarks Act</i> .....	788

---

---

**Advertised applications**

---

**Application Number** 1,618,560  
**Language of Application** English

**Filing Date** 2013-03-15

**APPLICANT AND AGENT DETAILS****Applicant**

Good Earth Cafes Ltd.  
4020 - 7th Street S.E.  
Calgary  
ALBERTA  
T2G2Y8

**Agent**

ROBERT D. MCDONALD  
BENNETT JONES LLP, 3200 TELUS HOUSE,  
SOUTH TOWER, 10020-100TH STREET,  
EDMONTON, ALBERTA, T5J0N3

**TRADEMARK DETAILS****GOOD EARTH CAFÉ****Trademark Type**

Word

**Goods****Class 25**

Clothing, namely t-shirts, polo shirts, sweatshirts, caps, hats, jackets, shorts and aprons

**Services****Class 35**

(1) Franchising services, namely providing technical assistance in the establishment and/or operation of restaurants, cafes, coffee houses and snack bars; Business services namely, facilities management of technical operations in the fields of franchise operations and restaurant and café management; Franchise services, namely, assisting with instituting, developing, promoting and establishing a franchise business, providing a system to enable persons to establish and operate retail outlets for the sale of various products; provide assistance with the establishment of uniform and distinctive types of retail outlets, equipment, furnishings and facilities; management and customer relations, assistance in the preparation and distribution of advertising, promotional programs and materials developed from time to time and in which certain products are sold under prescribed trade-marks, offering information by way of a website related to the operation of a franchise business; Mail order services and mail order catalog services, computerized on-line ordering services, computerized on-line retail services, on-line ordering services and on-line retail store services all in the field of coffee, tea, cocoa, packaged and prepared foods; The operation of a retail kiosk selling coffee, tea, baked goods, prepared and packaged foods and spices; Wholesale, retail, online and mail order sales of ground and whole bean coffee; tea, cocoa; coffee and espresso beverages and beverages made with a base of coffee, espresso, and/or milk; powdered flavourings; flavouring syrups, baked goods, namely muffins scones, biscuits, cookies, pastries, cakes and breads and ready-to-make mixes of the aforesaid baked goods; packaged foods; sandwiches and prepared foods; chocolate and confectionery items; desserts, soups, salads, chili and hot food; granola; dried fruits; spreads; juices; soft drinks; insulated coffee and beverage cups (made of metal, plastics and/or ceramics), insulated vacuum bottles, coffee cups,

tea cups and mugs; wholesale, retail and mail order sales of t-shirts, caps, sweatshirts, jackets, aprons and other clothing items; Operation of a retail store, featuring ground and whole bean coffee, coffee, tea, cocoa, espresso beverages, baked goods, prepared and packaged foods, coffee grinders, coffee makers, espresso machines, thermal insulated bottles, housewares; Retail services in the field of coffee, tea, cocoa, packaged and prepared foods, wholesale distributorships, wholesale stores and wholesale ordering services all in the field of coffee, tea, cocoa, packaged and prepared foods; Retail store services and distributorship services for coffee, tea, baked goods, prepared and packaged foods and spices

**Class 41**

(2) The training of store personnel and management, namely, providing information and teaching of uniform merchandising and business techniques of store operation, namely, cafes, bakery shops, eat-in and take-out stores

**Class 42**

(3) Designing of such restaurants, establishments and facilities, namely cafes, bakery shops, eat in and takeout stores engaged in providing food and drink prepared for consumption.

**Class 43**

(4) Restaurant and cafe services; Catering services; The operation of a restaurant, namely the operation of a cafe; Coffee cafe services; Restaurant and food services, namely café services, take out services, restaurant services and catering services.

**Application Number** 1,618,561  
**Language of Application** English

**Filing Date** 2013-03-15

## APPLICANT AND AGENT DETAILS

### Applicant

Good Earth Cafes Ltd.  
4020 - 7th Street S.E.  
Calgary  
ALBERTA  
T2G2Y8

### Agent

ROBERT D. MCDONALD  
BENNETT JONES LLP, 3200 TELUS HOUSE,  
SOUTH TOWER, 10020-100TH STREET,  
EDMONTON, ALBERTA, T5J0N3

## TRADEMARK DETAILS

# GOOD EARTH COFFEEHOUSE

### Trademark Type

Word

### Goods

#### Class 25

Clothing, namely t-shirts, polo shirts, sweatshirts, caps, hats, jackets, shorts and aprons

### Services

#### Class 35

(1) Wholesale, retail, online and mail order sales of ground and whole bean coffee; cocoa; coffee and espresso beverages and beverages made with a base of coffee, espresso, and/or milk; powdered flavourings; flavouring syrups, baked goods, namely muffins scones, biscuits, cookies, pastries, cakes and breads and ready-to-make mixes of the aforesaid baked goods; packaged foods; sandwiches and prepared foods; chocolate and confectionery items; desserts, soups, salads, chili and hot food; granola; dried fruits; spreads; juices; soft drinks; insulated coffee and beverage cups (made of metal, plastics and/or ceramics), insulated vacuum bottles, coffee cups and mugs; wholesale, retail and mail order sales of t-shirts, caps, sweatshirts, jackets, aprons and other clothing items; Operation of a retail store, featuring ground and whole bean coffee, coffee, cocoa, espresso beverages, baked goods, prepared and packaged foods, coffee grinders, coffee makers, espresso machines, thermal insulated bottles, housewares; The operation of a retail kiosk selling coffee, baked goods, prepared and packaged foods and spices; Mail order services and mail order catalog services, computerized on-line ordering services, computerized on-line retail services, on-line ordering services and on-line retail store services all in the field of coffee, cocoa, packaged and prepared foods; Business services namely, facilities management of technical operations in the fields of franchise operations and restaurant and café management; Franchising services, namely providing technical assistance in the establishment and/or operation of restaurants, cafes, coffee houses and snack bars; Franchise services, namely, assisting with instituting, developing, promoting and establishing a franchise business, providing a system to enable persons to establish and operate retail outlets for the sale of various products; provide assistance with the establishment of uniform and distinctive types of retail outlets, equipment, furnishings and facilities; management and customer relations, assistance in the preparation and distribution of advertising, promotional programs and materials developed from time to time and in which certain products are sold under prescribed trade-marks, offering information by way of a

website related to the operation of a franchise business; Retail services in the field of coffee, tea, cocoa, packaged and prepared foods, wholesale distributorships, wholesale stores and wholesale ordering services all in the field of coffee, tea, cocoa, packaged and prepared foods; Retail store services and distributorship services for coffee, tea, baked goods, prepared and packaged foods and spices 1.

**Class 41**

(2) The training of store personnel and management; providing information and teaching of uniform merchandising and business techniques of store operation, namely, cafes, bakery shops, eat-in and takeaway stores

**Class 42**

(3) Designing of such restaurants, establishments and facilities, namely cafes, bakery shops, eat-in and takeout stores engaged in providing food and drink prepared for consumption

**Class 43**

(4) Restaurant and cafe services; The operation of a restaurant, namely the operation of a cafe; Restaurant and food services namely, café services, take out services, restaurant services and catering services; Catering services; Coffee cafe services;



**Application Number** 1,618,562  
**Language of Application** English

**Filing Date** 2013-03-15

## APPLICANT AND AGENT DETAILS

### Applicant

Good Earth Cafes Ltd.  
4020 - 7th Street S.E.  
Calgary  
ALBERTA  
T2G2Y8

### Agent

ROBERT D. MCDONALD  
BENNETT JONES LLP, 3200 TELUS HOUSE,  
SOUTH TOWER, 10020-100TH STREET,  
EDMONTON, ALBERTA, T5J0N3

## TRADEMARK DETAILS

# GOOD EARTH

### Trademark Type

Word

### Goods

#### Class 25

Clothing, namely t-shirts, polo shirts, sweatshirts, caps, hats, jackets, shorts and aprons

### Services

#### Class 35

(1) Operation of a retail store, featuring ground and whole bean coffee, coffee, cocoa, espresso beverages, baked goods, prepared and packaged foods, coffee grinders, coffee makers, espresso machines, thermal insulated bottles, housewares; Wholesale, retail, online and mail order sales of ground and whole bean coffee; cocoa; coffee and espresso beverages and beverages made with a base of coffee, espresso, and/or milk; powdered flavourings; flavouring syrups, baked goods, namely muffins scones, biscuits, cookies, pastries, cakes and breads and ready-to-make mixes of the aforesaid baked goods; packaged foods; sandwiches and prepared foods; chocolate and confectionery items; desserts, soups, salads, chili and hot food; granola; dried fruits; spreads; juices; soft drinks; insulated coffee and beverage cups (made of metal, plastics and/or ceramics), insulated vacuum bottles, coffee cups and mugs; wholesale, retail and mail order sales of t-shirts, caps, sweatshirts, jackets, aprons and other clothing items; The operation of a retail kiosk selling coffee, baked goods, prepared and packaged foods and spices; Business services namely, facilities management of technical operations in the fields of franchise operations and restaurant and café management; Franchising services, namely providing technical assistance in the establishment and/or operation of restaurants, cafes, coffee houses and snack bars; Franchise services, namely, assisting with instituting, developing, promoting and establishing a franchise business, providing a system to enable persons to establish and operate retail outlets for the sale of various products; provide assistance with the establishment of uniform and distinctive types of retail outlets, equipment, furnishings and facilities; management and customer relations, assistance in the preparation and distribution of advertising, promotional programs and materials developed from time to time and in which certain products are sold under prescribed trade-marks, offering information by way of a website related to the operation of a franchise business; Mail order services and mail order catalog services, computerized on-line ordering services, computerized on-line retail services, on-line ordering services and on-line retail store services all in the field of

coffee, cocoa, packaged and prepared foods; Retail services in the field of coffee, cocoa, packaged and prepared foods, wholesale distributorships, wholesale stores and wholesale ordering services all in the field of coffee, cocoa, packaged and prepared foods; Retail store services and distributorship services for coffee, tea, baked goods, prepared and packaged foods and spices

**Class 41**

(2) The training of store personnel and management; providing information and teaching of uniform merchandising and business techniques of store operation, namely, cafes, bakery shops, eat-in and takeaway

**Class 42**

(3) Designing of such restaurants, establishments and facilities, namely cafes, bakery shops, eat-in and takeout stores engaged in providing food and drink prepared for consumption

**Class 43**

(4) Catering services; Restaurant and cafe services; The operation of a restaurant, namely the operation of a cafe; Coffee cafe services; Restaurant and food services, namely café services, take out services, restaurant services and catering services

**Application Number** 1,618,563  
**Language of Application** English

**Filing Date** 2013-03-15

## APPLICANT AND AGENT DETAILS

### Applicant

Good Earth Cafes Ltd.  
4020 - 7th Street S.E.  
Calgary  
ALBERTA  
T2G2Y8

### Agent

ROBERT D. MCDONALD  
BENNETT JONES LLP, 3200 TELUS HOUSE,  
SOUTH TOWER, 10020-100TH STREET,  
EDMONTON, ALBERTA, T5J0N3

## TRADEMARK DETAILS

### Trademark Type

Design

### Visual Representation



### Goods

#### Class 25

Clothing, namely t-shirts, polo shirts, sweatshirts, caps, hats, jackets, shorts and aprons

### Services

#### Class 35

(1) Business services namely, facilities management of technical operations in the fields of franchise operations and restaurant and café management; The operation of a retail kiosk selling baked goods, prepared and packaged foods and spices; Franchising services, namely providing technical assistance in the establishment and/or operation of restaurants, cafes, coffee houses and snack bars; Mail order services and mail order catalog services, computerized on-line ordering services, computerized on-line retail services, online ordering services and on-line retail store services all in the field of coffee, cocoa, packaged and prepared foods; Franchise services, namely, assisting with instituting, developing, promoting and establishing a franchise business, providing a system to enable persons to establish and operate retail outlets for the sale of various products; provide assistance with the establishment of uniform and distinctive types of retail outlets, equipment, furnishings and facilities; management and customer relations, assistance in the preparation and distribution of advertising, promotional programs and materials developed from time to time and in which certain products are sold under prescribed trade-marks, offering information by way of a website related to the operation of a franchise business; Wholesale, retail, online and mail order sales of ground and whole bean coffee; cocoa; coffee and espresso beverages and beverages made with a base of coffee, espresso, and/or milk; powdered flavourings; flavouring syrups, baked goods, namely muffins scones, biscuits, cookies, pastries,

cakes and breads and ready-to-make mixes of the aforesaid baked goods; packaged foods; sandwiches and prepared foods; chocolate and confectionery items; desserts, soups, salads, chili and hot food; granola; dried fruits; spreads; juices; soft drinks; insulated coffee and beverage cups (made of metal, plastics and/or ceramics), insulated vacuum bottles, coffee cups and mugs; wholesale, retail and mail order sales of t-shirts, caps, sweatshirts, jackets, aprons and other clothing items; Operation of a retail store featuring ground and whole bean coffee, coffee, cocoa, espresso beverages, baked goods, prepared and packaged foods, coffee grinders, coffee makers, espresso machines, thermal insulated bottles, housewares; Retail services in the field of coffee, tea, cocoa, packaged and prepared foods, wholesale distributorships, wholesale stores and wholesale ordering services all in the field of coffee, tea, cocoa, packaged and prepared foods; Retail store services and distributorship services for coffee, tea, baked goods, prepared and packaged foods and spices

**Class 41**

(2) The training of store personnel and management; providing information and teaching of uniform merchandising and business techniques of store operation, namely, cafes, bakery shops, eat-in and takeaway stores

**Class 42**

(3) Designing of such restaurants, establishments and facilities, namely cafes, bakery shops, eat-in and takeout stores engaged in providing food and drink prepared for consumption

**Class 43**

(4) Catering services; Restaurant and food services, namely café services, take out services, restaurant services and catering services; The operation of a restaurant, namely the operation of a cafe; Restaurant and cafe services; Coffee cafe services

**Application Number** 1,618,564  
**Language of Application** English

**Filing Date** 2013-03-15

## APPLICANT AND AGENT DETAILS

### Applicant

Good Earth Cafes Ltd.  
4020 - 7th Street S.E.  
Calgary  
ALBERTA  
T2G2Y8

### Agent

ROBERT D. MCDONALD  
BENNETT JONES LLP, 3200 TELUS HOUSE,  
SOUTH TOWER, 10020-100TH STREET,  
EDMONTON, ALBERTA, T5J0N3

## TRADEMARK DETAILS

### Trademark Type

Design

### Visual Representation



### Goods

#### Class 25

Clothing, namely t-shirts, polo shirts, sweatshirts, caps, hats, jackets, shorts and aprons

### Services

#### Class 35

(1) The operation of a retail kiosk selling coffee, baked goods, prepared and packaged foods and spices; Mail order services and mail order catalog services, computerized on-line ordering services, computerized on-line retail services, on-line ordering services and on-line retail store services all in the field of coffee, cocoa, packaged and prepared foods; Operation of a retail store, featuring ground and whole bean coffee, coffee, cocoa, espresso beverages, baked goods, prepared and packaged foods, coffee grinders, coffee makers, espresso machines, thermal insulated bottles, housewares; Wholesale, retail, online and mail order sales of ground and whole bean coffee; cocoa; coffee and espresso beverages and beverages made with a base of coffee, espresso, and/or milk; powdered flavourings; flavouring syrups, baked goods, namely muffins scones, biscuits, cookies, pastries, cakes and breads and ready-to-make mixes of the aforesaid baked goods; packaged foods; sandwiches and prepared foods; chocolate and confectionery items; desserts, soups, salads, chili and hot food; granola; dried fruits; spreads; juices; soft drinks; insulated coffee and beverage cups (made of metal, plastics and/or ceramics), insulated vacuum bottles, coffee cups and mugs; wholesale, retail and mail order sales of t-shirts, caps, sweatshirts, jackets, aprons and other clothing items; Business services namely, facilities management of technical operations in the fields of franchise operations and restaurant and café management; Franchising services, namely providing technical assistance in the establishment and/or operation

of restaurants, cafes, coffee houses and snack bars; Franchise services, namely, assisting with instituting, developing, promoting and establishing a franchise business, providing a system to enable persons to establish and operate retail outlets for the sale of various products; provide assistance with the establishment of uniform and distinctive types of retail outlets, equipment, furnishings and facilities; management and customer relations, assistance in the preparation and distribution of advertising, promotional programs and materials developed from time to time and in which certain products are sold under prescribed trade-marks, offering information by way of a website related to the operation of a franchise business; Retail services in the field of coffee, cocoa, packaged and prepared foods, wholesale distributorships, wholesale stores and wholesale ordering services all in the field of coffee, cocoa, packaged and prepared foods; Retail store services and distributorship services for coffee, baked goods, prepared and packaged foods and spices;

**Class 41**

(2) The training of store personnel and management; providing information and teaching of uniform merchandising and business techniques of store operation, namely, cafes, bakery shops, eat-in and take-out stores

**Class 42**

(3) Designing of such restaurants, establishments and facilities, namely cafes, bakery shops, eat-in and takeout stores engaged in providing food and drink prepared for consumption

**Class 43**

(4) Restaurant and food services, namely café services, take out services, restaurant services and catering services; Restaurant and cafe services; The operation of a restaurant, namely the operation of a cafe; Coffee cafe services; Catering services

**Application Number** 1,619,699  
**Language of Application** English

**Filing Date** 2013-03-25

## APPLICANT AND AGENT DETAILS

### Applicant

Miramax, LLC  
1901 Avenue of the Stars  
Suite 2000  
Los Angeles, CA 90067  
UNITED STATES OF AMERICA

### Agent

BORDEN LADNER GERVAIS LLP  
World Exchange Plaza, 100 Queen Street,  
Suite 1300, Ottawa, ONTARIO, K1P1J9

## TRADEMARK DETAILS

# PULP FICTION

### Trademark Type

Standard Characters

### Goods

#### Class 09

(1) radios incorporating clocks; magnets, namely, fridge magnets, car magnets; downloadable electronic books, namely, fiction books (novelizations), action and adventure books for young adults, digital trading cards, digital comic books and graphic novels; computer and electronic interactive video game playing cartridges, cassettes and discs; computer and electronic interactive video game playing software; computer and electronic interactive video game software for playing gaming machines namely slot machines and video lottery terminals; computer and electronic interactive video game playing software for personal computers and home video game consoles; computer and electronic interactive video game playing software downloadable from a global computer network; computer and electronic interactive video game playing software for use on mobile and cellular phones; downloadable computer and electronic interactive video game playing programs; Interactive multimedia software for playing computer games; software for playing interactive virtual reality games; mobile phone chargers for use in vehicles; sun glasses and cases therefor; headphones, ear buds, MP3 players and MP4 players, USB flashdrives, audio speakers, auxiliary power chargers and carrying cases for headphones, ear buds, MP3 players and MP4 players, USB flashdrives, audio speakers, auxiliary power chargers; mobile phone cases, tablet cases and computer cases; cell phone cases; interactive multimedia computer games; interactive video games, audiovisual headsets for playing video games, virtual reality headsets and helmets adapted for use in playing video games; head guards for martial arts

#### Class 14

(2) watches; watch cases; jewelry; jewelry boxes; jewelry, namely, dog tags for wear by humans for decorative purposes; clocks; key chains of jewelry or precious metal; ornamental clothing pins; key fobs of leather; leather key chains

#### Class 16

(3) book ends; calendars; stickers; temporary tattoos; bookmarks; posters; address books, notebooks; writing journals and tablets; writing instruments; greeting cards and note cards; paper weights; books, namely, action/adventure books for children and young adults and fiction books,

namely, novelizations; comic books and magazines; collectable trading cards; series of computer game hint books; vehicle window clings and decals; life size paper standees; life size cardboard standees; limited edition and non-limited edition framed and unframed posters, paintings and Giclee prints

#### **Class 18**

(4) backpacks; gym bags, barrel bags, handbags, purses, luggage bags, tote bags; small leather goods, namely, change purses, billfolds; wallets; identification and business card holders and cases

#### **Class 21**

(5) shot glasses; beverage glassware; flasks namely canteen flasks, drinking flasks, hip flasks, insulated flasks, vacuum flasks ; bottle openers; cookie jars; lunch boxes; cups and mugs; candle holders; plastic coasters and wine coasters of precious metal; non-metallic coin banks and piggy banks

#### **Class 25**

(6) t-shirts; sweatshirts; hoodies; constructed apparel (cut and sewn fashion garments), namely, knit and woven tops, blouses, pants, shorts, skirts, jeans, jackets; caps; beanies; hats; bandanas; boxers; underwear; sleepwear and pajamas; loungewear; outerwear, namely, jackets and raincoats, fleece garments namely fleece jackets, fleece pullovers, fleece vests; gloves, scarves and mittens; socks and hosiery; ties; wrist bands; Halloween and masquerade costumes; costumes for use in children's dress up play; footwear, namely, slippers, socks, boots and sandals, shoes and athletic footwear; martial arts uniforms; belts

#### **Class 26**

(7) ornamental clothing patches made of rubber; ornamental clothing patches made of metal; charms for attachment to beverage glassware

#### **Class 28**

(8) action figures and accessories therefor; action figure toys; amusement game machines, namely coin operated amusement machines; card operated amusement machines, coin operated amusement electronic games; card operated amusement electronic games; pinball machines; amusement machines, namely, handheld electronic game units adapted for use with an external display screen or monitor; amusement park rides; arcade games; arcade-type electronic video game machines; articles of clothing for toys; battery powered computer game with LCD screen; bendable toys; billiard balls; billiard game playing equipment; board games; bobble head dolls; card games; cases for action figures; chess games; chess pieces; chess sets and individual chess pieces; chessboards; chips for gambling; Christmas tree ornaments; collectable toy figures; computer and video game consoles for use with an external display screen or monitor; computer and video game joysticks; computerized video table games for gaming purposes; construction toys; costume masks; darts; dart boards; dart flights; dog toys; doll accessories; doll clothing; dolls and accessories therefor; electronic action toys; hand-held electronic games adapted for use with television receivers only; electronic gaming machines, namely, devices which accept a wager; electronic interactive board games for use with external monitor; electronic toy vehicles; fantasy character toys; fitted plastic films known as skins for covering and protecting electronic gaming apparatus, namely, video game consoles, hand-held game units; gambling machines; game cards; game controllers for computer and games; gaming chips; gaming devices, namely, gaming machines, slot machines, bingo machines, with or without video output; gaming machines namely slot machines and video lottery terminals; game and gaming tables; hand-held units for playing electronic games other than those adapted for use with an external display screen or monitor;



home video game machines; jigsaw puzzles, puzzles and puzzle games; LCD game machines; lottery cards; lottery tickets; martial arts training equipment namely, abdomen protectors for martial arts, focus mitts for martial arts, focus pads for martial arts, kick pads for martial arts, kick shields for martial arts, shin pads for martial arts; mechanical action toys; mechanical toys; memory games; model toy vehicles; modeled plastic toy figurines; molded toy figures; musical toys; pachinkos; paddle surfboards; pet toys; pinball games; pinball machines; plastic character toys; playing cards, playing card games and playing card cases; playing card game accessories, namely, playing card holders, mats for use in connection with playing card games, playing card shuffling devices and dice; plush dolls; plush toys; poker chips; porcelain dolls; positionable toy figures; protective carrying cases special adapted for hand-held video games; protective padding for snowboarding and skateboarding; puzzles; PVC toy figures; remote control toys, namely, cars, race cars, airplanes, helicopters, military and construction vehicles, boats, trucks, trains and other vehicles; rubber character toys; scale model toy kits; scratch cards for playing lottery games; skateboard decks; skateboards; skis, namely, snow skis, surf skis; slot machines; snowboards; snow globes; sports equipment for boxing and martial arts, namely, swords, Japanese swords, bamboo swords for kendo, wooden swords for kendo, boxing gloves, boxing bags, punching mitts, belly protectors, groin protectors and shin guards; squeeze toys; stand alone video game machines; stuffed and plush toys; surf boards; toy action figures and accessories therefor; toy clocks; toy banks; toy figures; toy figures in the form of a potato; toy film cartridges and viewers; toy motion picture prop replicas; toy snow globes; toy swords; toy weapons; trading card games; trivia game played with cards and game components; video game interactive remote control units; video game interactive hand-held remote controls for playing electronic games; video game machines for use with external display screen or monitor; video output game machines for use with televisions; vinyl dolls; wakeboards; water globes; water skis; metal dioramas depicting film scenes and characters; plastic 3D dioramas depicting film scenes and characters

## **Services**

### **Class 41**

providing online non-downloadable comic books, graphic novels, books, fiction books (novelizations), action and adventure books for young adults, digital trading cards; providing non-downloadable free to play and non-wagering casino games and video games via the internet; entertainment services, namely, providing online computer games, providing online video games, providing temporary use of non-downloadable computer games, providing games of chance via the Internet, conducting live poker games; providing computer games and puzzles, online board games and online card games via a website

## **Claims**

Priority Filing Date: March 22, 2013, Country or Office: UNITED STATES OF AMERICA, Application No: 85/883,773 in association with the same kind of goods and in association with the same kind of services

**Application Number** 1,667,254  
**Language of Application** English

**Filing Date** 2014-03-11

## APPLICANT AND AGENT DETAILS

### Applicant

Alion Science and Technology Corporation  
1750 Tysons Boulevard, Suite 1300  
McLean, Virginia  
22102  
UNITED STATES OF AMERICA

### Agent

PERLEY-ROBERTSON, HILL & MCDUGALL  
LLP  
1400 - 340 ALBERT STREET, OTTAWA,  
ONTARIO, K1R0A5

## TRADEMARK DETAILS

# ALION

### Trademark Type

Word

### Goods

#### Class 09

Computer software for use in assigning frequencies to users of a radio frequency spectrum; computer software for remotely monitoring the radio frequency spectrum to identify unauthorized users; computer software for use in co-locating numerous antennas by predicting interference between the various systems; computer software for use in tracking users in a defined area by using low cost antennas and badges; computer software, namely, train operations simulation software for use in distance learning, train or rail simulation, design of training program in the field of train operations, and modeling for train vehicle systems and subsystems; computer software used to predict the reliability of electronic components for military and commercial use; computer software featuring dynamic simulation architecture for use in capturing fatigue degradation based on sleep/work schedules and circadian cycles at a macro-level over a course of time; computer software for risk assessment in the fields of catastrophic events, emergency situations, and computer systems security, featuring additional demonstration compact disks, user guides and reference manuals distributed therewith; computer programs and software used for conducting electronic and web-based distance learning for operator and maintainer training on ship hardware, hull, mechanical and electrical systems; computer programs and software for performance measurement evaluations, cost analyses, cost assessment, and design and testing of products of others; modeling and simulation software in the fields of civil and military defense strategy and operations, planning and logistics; computer software for use in assessing resources and readiness to respond to catastrophic events, and launch military and civilian operations; computer software for managing and monitoring radio frequency use; computer software for railroad and transportation systems analysis, simulation and training; simulator hardware and equipment, namely, computer hardware for simulating the operation of trains, aircraft and military vehicles; computer software for interfacing between human and machine interfaces, namely, for creating a virtual environment for use in learning and simulating machine interfaces and assessing human reactions to same; computer software for war gaming; computer software for assessing human security and risk, human safety and human survivability, during catastrophic events and military operations; computer software for designing ships; project management software in the field of military and civilian undertakings, namely, software to analyze human performance and processes

for decision support and resource analysis, and for analyzing social and behavioural patterns; social systems analysis software in the fields of project management and human performance, namely, software to analyze human performance, social patterns and behavioural patterns.

## **Services**

### **Class 35**

(1) Inventory management in the field of weapons; business management of manufacturing, testing, training and research centers for others; business management for others; conducting business feasibility studies; business enterprise management; business consulting services in the field of information assurance; disaster recovery services, namely, business continuity and Continuity of Operations planning for businesses; providing business management and advice; business risk assessment services, namely, data architecture and visualization in the fields of politics, religion, local customs and belief systems for risk assessment purposes; information technology risk assessment and management, namely business risk assessment services.

### **Class 36**

(2) Financial management and analysis.

### **Class 37**

(3) Repair, maintenance and installation services for surface and sub-surface commercial and naval vessels and their mechanical systems, excluding installation, repair and maintenance of computer software; providing repair facilities for vehicles, weapons, hardware, surface and sub-surface commercial and naval vessels and onboard machinery for military and disaster relief operations; repair and installation of aircraft, vehicle and train simulator hardware and equipment; repair and maintenance of nuclear power plants; construction of surface and sub-surface commercial and naval vessels and shipyards; Consulting in the field of installing solar energy collection panels; demolition of buildings; demolition services.

### **Class 38**

(4) Consulting in the field of cellular telephone services over wireless networks; consulting in the field of text messaging over wireless networks; consulting in the field of satellite television transmission over wireless networks.

### **Class 39**

(5) Transportation consulting services in the field of single-mode and intermodal transport of passengers and freight.

### **Class 40**

(6) Decontamination of nuclear waste; technical consultation and research in the field of manufacturing processes; Mobile custom manufacture of vehicles and related equipment, namely, cars, trucks, aircrafts, ships, and surveillance and sensor trailers; Consulting in the field of production of wind energy; decontamination of hazardous materials and nuclear waste; consulting in the field of generating electricity from solar energy; mobile custom fabrication of surface and sub-surface commercial and naval vessels.

### **Class 41**

(7) Consultation in the fields of long distance education; educational services, namely, conducting classes, seminars, conferences and workshops in the field of military defense and distribution of printed course material related thereto; providing lectures, seminars, and training in the field of risk analysis and management relating to civil defense, physical security, infrastructure protection, computer systems security, homeland security and emergency response; Military operational

support training, namely, (i) development and delivery of training in the fields of vehicle maintenance training, combat training, weapons training, and physical training, (ii) training in the maintenance of manned and unmanned vehicles and vehicles systems, namely, aircraft, small ground vehicles in the nature of all-terrain vehicles, robotic vehicles in the nature of bomb disposal robots and medical carriers for litters, and ships, and (iii) training in the maintenance of components and equipment installed in ground vehicles, ships, and aircraft; conducting educational programs in the fields of national and civil defense; conducting distance learning vocational instruction and consulting in the fields of national and civic defense; Provision of online computer simulations using computer game technologies in the field of war games; Developing training and learning methodologies for others in the field of catastrophic events and military operations.

### **Class 42**

(8) Technology research in the fields of chemical research, biodefense technologies research, and explosives science research; engineering, namely, radio frequency engineering; technical consultation and research in the fields of design and development of wireless computer networks, electronics engineering, spectrum management in the nature of technical assessments of wireless signals, electromagnetic environmental effects, radio transmitters, receivers and antennas, and extending product lifetimes via product quality testing, research and development; testing of communications networks, GPS navigation devices, and radar; computer software development; environmental testing, namely, testing of the environmental effects of electromagnetism on the environment; consultation in the field of military operations, namely, command and control hardware, software; Product development services for others in the fields of weapons systems, namely, the development of robots for use in disarming improvised explosive devices (IEDs); Product development services for others in the fields of remote medical procedures, namely, the development of robots for use in remote medical procedures; updating of computer software; facilitating the exchange of medical information, namely, providing search engines for obtaining medical data on a global computer network; technical services in the government and commercial sectors, namely, scientific research, analysis, and testing in the fields of national defense, energy, and chemical, biological, nuclear and environmental sciences, and environmental and chemical sensor technology; engineering, testing and analysis in the fields of command & control, namely, the arrangement of personnel, equipment, communications, facilities, and procedures employed by a commander in planning, directing, coordinating, and controlling forces and operations in the accomplishment of a mission; design and testing of new products for others in the fields of communications over wireless networks, computers, intelligence and surveillance; design and testing of new products for others in the field of defense systems and equipment; rapid prototyping, namely, product design of weaponry, workstations, and surface and sub-surface commercial and naval vessels; naval architecture and marine engineering; naval architectural and marine engineering services related to the design of ships and other marine-related equipment, components, and platforms; design of hardware and software for surface and sub-surface commercial, military and naval vessels, enterprises and their systems; Design of advanced materials and chemicals, namely, anti-corrosive paint, rust inhibitors for metals, that are used on and applied to commercial ships and boats, military ships and boats, and naval ships and boats, enterprises and their systems; marine systems engineering, namely, weight engineering, structural design and analysis, design integration, performance analysis, damage stability analysis, failure analysis, and hull form development in the field of surface and sub-surface commercial and naval vessels; consulting on machinery integration, tests and trials, modeling and simulation, namely machinery being pumps, electrical motors, manual and automated valves, equipment used to heat, cool, filter, purify or otherwise manage the associated medium(s) to ensure proper operation,

electronics, namely, motor controllers, switchboards and their associated circuit breakers, and sensors; developing specifications and drawings for surface and sub-surface commercial and naval vessels; critical infrastructure risk and vulnerability analyses; acoustics laboratories and testing services for noise-related characteristics in building materials and consumer products; air quality and waste properties measurements and analysis; chemical, biological, nuclear and environmental science research; consulting services in the field of environmental sciences; computer modeling and simulation services for others, namely, designing a model of an actual or theoretical physical system, executing the model on a digital computer, and analyzing the execution output; data warehousing and mining services; information technology services, namely, design, develop and implement IT architecture and integration; software design, development and integration; network planning and virtual private networks design; providing online non-downloadable computer software for use in assessing community resources and community readiness for catastrophic events and emergency situations; testing and evaluating wireless networks for geographic coverage, interference and overall network performance; consultation in the field of radio frequency equipment design; design of wireless computer networks; consulting in the field of renewable energy research; technical consulting in the field of environmental engineering; designing wireless networking; design and inspection services of military vessels and vehicles, nuclear power plants, portable power generators, and engines for industrial machinery; nondownloadable web-based computer software for use in assigning frequencies to users of a radio frequency spectrum and to identify unauthorized users of same, for co-locating antennas by predicting interference between systems, for tracking users in a defined area by using low cost antennas and badges, for predicting the reliability of electronic components for military and commercial use, for capturing fatigue degradation based on sleep/work schedules and circadian cycles at a macro-level over a course of time, for conducting electronic and web-based distance learning, for assessing resources and readiness to respond to catastrophic events, manage emergency situations and launch military and civilian operations, for creating a virtual environment for use in learning and simulating machine operation and commands and assessing human reactions to same, for war gaming and experimentation, for assessing security and risk, safety and survivability, for designing military and commercial vessels, for analyzing social systems in the fields of project management and human performance, namely, nondownloadable web-based computer software to analyze human performance, and for analyzing social and behavioural patterns; Analysis and development of manufacturing materials for others, namely, analyzing of manufacturing materials for others, and product development services; computer disaster recovery planning; energy and environmental services, namely, environmental assessments of human exposure to high radiation levels; atmospheric sciences and aerosol research; nuclear power plant design and engineering; creating and implementing training scenarios and simulation systems, namely, creating virtual environments that simulate military tactics and strategies, and disaster situations; video or computer simulations using game technologies for the field of war games; developing software for computer-based training programs in the field of catastrophic events and military operations; computer security services for wireless communications, namely, enforcing, restricting and controlling access privileges of users of computing resources for cloud, mobile or network resources based on assigned credentials; consulting services in the field of cyber security; consulting in the field of energy efficiency; energy and environmental services, namely, environmental assessments of human exposure to high radiation levels.

#### **Class 45**

(9) Legislative and legal policy analysis and consulting services related to homeland security, national defense, energy and environmental regulatory matters; consulting in the fields of mission and threat analysis for protecting public safety; legal consulting in the field of legislative initiatives

relating to environmental conservation; military science services and consultation, namely, consultation in the field of warfare; safety analysis pertaining to job site safety at nuclear power plants.

**Claims**

Priority Filing Date: September 19, 2013, Country or Office: UNITED STATES OF AMERICA, Application No: 86069731 in association with the same kind of goods and in association with the same kind of services

**Application Number** 1,667,255  
**Language of Application** English

**Filing Date** 2014-03-11

## APPLICANT AND AGENT DETAILS

### Applicant

Alion Science and Technology Corporation  
1750 Tysons Boulevard, Suite 1300  
McLean, Virginia  
22102  
UNITED STATES OF AMERICA

### Agent

PERLEY-ROBERTSON, HILL & MCDUGALL  
LLP  
1400 - 340 ALBERT STREET, OTTAWA,  
ONTARIO, K1R0A5

## TRADEMARK DETAILS

### Trademark Type

Design

### Visual Representation



### Goods

#### Class 09

Computer software for use in assigning frequencies to users of a radio frequency spectrum; computer software for remotely monitoring the radio frequency spectrum to identify unauthorized users; computer software for use in co-locating numerous antennas by predicting interference between the various systems; computer software for use in tracking users in a defined area by using low cost antennas and badges; computer software, namely, train operations simulation software for use in distance learning, train or rail simulation, design of training program in the field of train operations, and modeling for train vehicle systems and subsystems; computer software used to predict the reliability of electronic components for military and commercial use; computer software featuring dynamic simulation architecture for use in capturing fatigue degradation based on sleep/work schedules and circadian cycles at a macro-level over a course of time; computer software for risk assessment in the fields of catastrophic events, emergency situations, and computer systems security, featuring additional demonstration compact disks, user guides and reference manuals distributed therewith; computer programs and software used for conducting electronic and web-based distance learning for operator and maintainer training on ship hardware, hull, mechanical and electrical systems; computer programs and software for performance measurement evaluations, cost analyses, cost assessment, and design and testing of products of others; modeling and simulation software in the fields of civil and military defense strategy and operations, planning and logistics; computer software for use in assessing resources and readiness to respond to catastrophic events, and launch military and civilian operations; computer software for managing and monitoring radio frequency use; computer software for railroad and

transportation systems analysis, simulation and training; simulator hardware and equipment, namely, computer hardware for simulating the operation of trains, aircraft and military vehicles; computer software for interfacing between human and machine interfaces, namely, for creating a virtual environment for use in learning and simulating machine interfaces and assessing human reactions to same; computer software for war gaming; computer software for assessing human security and risk, human safety and human survivability, during catastrophic events and military operations; computer software for designing ships; project management software in the field of military and civilian undertakings, namely, software to analyze human performance and processes for decision support and resource analysis, and for analyzing social and behavioural patterns; social systems analysis software in the fields of project management and human performance, namely, software to analyze human performance, social patterns and behavioural patterns.

## **Services**

### **Class 35**

(1) Inventory management in the field of weapons; business management of manufacturing, testing, training and research centers for others; business management for others; conducting business feasibility studies; business enterprise management; business consulting services in the field of information assurance; disaster recovery services, namely, business continuity and Continuity of Operations planning for businesses; providing business management and advice; business risk assessment services, namely, data architecture and visualization in the fields of politics, religion, local customs and belief systems for risk assessment purposes; information technology risk assessment and management, namely business risk assessment services.

### **Class 36**

(2) Financial management and analysis.

### **Class 37**

(3) Repair, maintenance and installation services for surface and sub-surface commercial and naval vessels and their mechanical systems, excluding installation, repair and maintenance of computer software; providing repair facilities for vehicles, weapons, hardware, surface and sub-surface commercial and naval vessels and onboard machinery for military and disaster relief operations; repair and installation of aircraft, vehicle and train simulator hardware and equipment; repair and maintenance of nuclear power plants; construction of surface and sub-surface commercial and naval vessels and shipyards; Consulting in the field of installing solar energy collection panels; demolition of buildings; demolition services.

### **Class 38**

(4) Consulting in the field of cellular telephone services over wireless networks; consulting in the field of text messaging over wireless networks; consulting in the field of satellite television transmission over wireless networks.

### **Class 39**

(5) Transportation consulting services in the field of single-mode and intermodal transport of passengers and freight.

### **Class 40**

(6) Decontamination of nuclear waste; technical consultation and research in the field of manufacturing processes; Mobile custom manufacture of vehicles and related equipment, namely, cars, trucks, aircrafts, ships, and surveillance and sensor trailers; Consulting in the field of



production of wind energy; decontamination of hazardous materials and nuclear waste; consulting in the field of generating electricity from solar energy; mobile custom fabrication of surface and sub-surface commercial and naval vessels.

#### **Class 41**

(7) Consultation in the fields of long distance education; educational services, namely, conducting classes, seminars, conferences and workshops in the field of military defense and distribution of printed course material related thereto; providing lectures, seminars, and training in the field of risk analysis and management relating to civil defense, physical security, infrastructure protection, computer systems security, homeland security and emergency response; Military operational support training, namely, (i) development and delivery of training in the fields of vehicle maintenance training, combat training, weapons training, and physical training, (ii) training in the maintenance of manned and unmanned vehicles and vehicles systems, namely, aircraft, small ground vehicles in the nature of all-terrain vehicles, robotic vehicles in the nature of bomb disposal robots and medical carriers for litters, and ships, and (iii) training in the maintenance of components and equipment installed in ground vehicles, ships, and aircraft; conducting educational programs in the fields of national and civil defense; conducting distance learning vocational instruction and consulting in the fields of national and civic defense; Provision of online computer simulations using computer game technologies in the field of war games; Developing training and learning methodologies for others in the field of catastrophic events and military operations.

#### **Class 42**

(8) Technology research in the fields of chemical research, biodefense technologies research, and explosives science research; engineering, namely, radio frequency engineering; technical consultation and research in the fields of design and development of wireless computer networks, electronics engineering, spectrum management in the nature of technical assessments of wireless signals, electromagnetic environmental effects, radio transmitters, receivers and antennas, and extending product lifetimes via product quality testing, research and development; testing of communications networks, GPS navigation devices, and radar; computer software development; environmental testing, namely, testing of the environmental effects of electromagnetism on the environment; consultation in the field of military operations, namely, command and control hardware, software; Product development services for others in the fields of weapons systems, namely, the development of robots for use in disarming improvised explosive devices (IEDs); Product development services for others in the fields of remote medical procedures, namely, the development of robots for use in remote medical procedures; updating of computer software; facilitating the exchange of medical information, namely, providing search engines for obtaining medical data on a global computer network; technical services in the government and commercial sectors, namely, scientific research, analysis, and testing in the fields of national defense, energy, and chemical, biological, nuclear and environmental sciences, and environmental and chemical sensor technology; engineering, testing and analysis in the fields of command & control, namely, the arrangement of personnel, equipment, communications, facilities, and procedures employed by a commander in planning, directing, coordinating, and controlling forces and operations in the accomplishment of a mission; design and testing of new products for others in the fields of communications over wireless networks, computers, intelligence and surveillance; design and testing of new products for others in the field of defense systems and equipment; rapid prototyping, namely, product design of weaponry, workstations, and surface and sub-surface commercial and naval vessels; naval architecture and marine engineering; naval architectural and marine engineering services related to the design of ships and other marine-related equipment, components, and platforms; design of hardware and software for surface and sub-surface

commercial, military and naval vessels, enterprises and their systems; Design of advanced materials and chemicals, namely, anti-corrosive paint, rust inhibitors for metals, that are used on and applied to commercial ships and boats, military ships and boats, and naval ships and boats, enterprises and their systems; marine systems engineering, namely, weight engineering, structural design and analysis, design integration, performance analysis, damage stability analysis, failure analysis, and hull form development in the field of surface and sub-surface commercial and naval vessels; consulting on machinery integration, tests and trials, modeling and simulation, namely machinery being pumps, electrical motors, manual and automated valves, equipment used to heat, cool, filter, purify or otherwise manage the associated medium(s) to ensure proper operation, electronics, namely, motor controllers, switchboards and their associated circuit breakers, and sensors; developing specifications and drawings for surface and sub-surface commercial and naval vessels; critical infrastructure risk and vulnerability analyses; acoustics laboratories and testing services for noise-related characteristics in building materials and consumer products; air quality and waste properties measurements and analysis; chemical, biological, nuclear and environmental science research; consulting services in the field of environmental sciences; computer modeling and simulation services for others, namely, designing a model of an actual or theoretical physical system, executing the model on a digital computer, and analyzing the execution output; data warehousing and mining services; information technology services, namely, design, develop and implement IT architecture and integration; software design, development and integration; network planning and virtual private networks design; providing online non-downloadable computer software for use in assessing community resources and community readiness for catastrophic events and emergency situations; testing and evaluating wireless networks for geographic coverage, interference and overall network performance; consultation in the field of radio frequency equipment design; design of wireless computer networks; consulting in the field of renewable energy research; technical consulting in the field of environmental engineering; designing wireless networking; design and inspection services of military vessels and vehicles, nuclear power plants, portable power generators, and engines for industrial machinery; nondownloadable web-based computer software for use in assigning frequencies to users of a radio frequency spectrum and to identify unauthorized users of same, for co-locating antennas by predicting interference between systems, for tracking users in a defined area by using low cost antennas and badges, for predicting the reliability of electronic components for military and commercial use, for capturing fatigue degradation based on sleep/work schedules and circadian cycles at a macro-level over a course of time, for conducting electronic and web-based distance learning, for assessing resources and readiness to respond to catastrophic events, manage emergency situations and launch military and civilian operations, for creating a virtual environment for use in learning and simulating machine operation and commands and assessing human reactions to same, for war gaming and experimentation, for assessing security and risk, safety and survivability, for designing military and commercial vessels, for analyzing social systems in the fields of project management and human performance, namely, nondownloadable web-based computer software to analyze human performance, and for analyzing social and behavioural patterns; Analysis and development of manufacturing materials for others, namely, analyzing of manufacturing materials for others, and product development services; computer disaster recovery planning; energy and environmental services, namely, environmental assessments of human exposure to high radiation levels; atmospheric sciences and aerosol research; nuclear power plant design and engineering; creating and implementing training scenarios and simulation systems, namely, creating virtual environments that simulate military tactics and strategies, and disaster situations; video or computer simulations using game technologies for the field of war games; developing software for computer-based training programs in the field of catastrophic events and military operations; computer security services for wireless communications, namely, enforcing,

restricting and controlling access privileges of users of computing resources for cloud, mobile or network resources based on assigned credentials; consulting services in the field of cyber security; consulting in the field of energy efficiency; energy and environmental services, namely, environmental assessments of human exposure to high radiation levels.

**Class 45**

(9) Legislative and legal policy analysis and consulting services related to homeland security, national defense, energy and environmental regulatory matters; consulting in the fields of mission and threat analysis for protecting public safety; legal consulting in the field of legislative initiatives relating to environmental conservation; military science services and consultation, namely, consultation in the field of warfare; safety analysis pertaining to job site safety at nuclear power plants.

**Claims**

Priority Filing Date: September 19, 2013, Country or Office: UNITED STATES OF AMERICA, Application No: 86069493 in association with the same kind of goods and in association with the same kind of services

**Application Number** 1,675,062  
**Language of Application** English

**Filing Date** 2014-04-30

## APPLICANT AND AGENT DETAILS

### Applicant

NSF International  
789 North Dixboro Road  
Ann Arbor, MI 48105  
UNITED STATES OF AMERICA

### Agent

GOWLING WLG (CANADA) LLP  
SUITE 2600, 160 ELGIN STREET, OTTAWA,  
ONTARIO, K1P1C3

## CERTIFICATION MARK DETAILS

### Trademark Type

Design

### Visual Representation



### Certification Mark Standard

The certification mark, as used by person(s) authorized by the certifier, indicates compliance with the following certification standards: (a) that the certified authorized person(s) have established internal quality management standards to which their services must comply before receiving certification by overseeing the manufacturing process to ensure it meets public health and safety standards, by encouraging employees to monitor the goods and services within the supply chain to ensure adherence to the established quality management standards and to report any health and safety deficiencies, by ensuring that manufactured products meet customer specifications, by ensuring on-time delivery of quality products and services, by implementing systems to reduce waste, by ensuring compliance with all governing laws and regulations, by implementing a good manufacturing practice (GMP), by ensuring chain of custody, traceability and availability of records for parts, materials and assemblies, and by promoting top management support for quality management; (b) that the certified authorized person(s) have established an information security management system (ISMS) which includes a set of policies and procedures for systematically managing the authorized person(s) sensitive corporate and customer privacy data to minimize risk and ensure business continuity by pro-actively limiting the impact of a computer or employee security breach, by identifying sensitive information that is at risk to threats and vulnerabilities, by integrating electronic data security systems within the corporate IT (information technology)

structure, by implementing systems to promote and monitor continual improvements in information security management, by implementing practices and procedures to respond to customer information security needs, and by ensuring compliance with governing security regulations; (c) that the certified authorized person(s) have established a corporate recycling Page 2 of 5 program and that these recycling services are performed pursuant to a health and safety management system, in which governing legal and insurance requirements have been met, and in which processes to ensure traceability, accountability, environmental protection and data protection have been implemented; (d) that the certified authorized person(s) have established an environmental management system (EMS) to manage the organization's environmental programs in a comprehensive, systematic, planned and documented manner, by establishing an environmental management organizational structure, by establishing environmental management planning and environmental management resources to develop, implement and maintain a policy for environmental protection, by identifying environmental risks associated with the provision of services, by setting objectives and targets for environmental impact improvement, by monitoring on an ongoing basis the implementation of procedures and practices for controlling the impact of industry on the environment, by implementing systems to promote and monitor continual improvement in environmental impact reduction; (e) that the certified authorized person(s) have established an occupation health and safety management system (OHSMS) to establish and manage the organization's health and safety policies, procedures, training, standards, and guidelines by recording health and safety workplace incidents, by continually inspecting the premises, equipment, and employee practices to continually identify health and safety hazards to prevent unsafe working conditions from developing, by implementing systems to promote and monitor continual improvements in workplace safety, by proactively identifying health and safety hazards and control risks, by investigating, monitoring and implementing control measures in response to health and safety risks; (f) that the certified authorized person(s) have established that the services for the production and provision of food are performed pursuant to a food safety management system implemented by the service provider to ensure that the production and supply of food meets customer specifications for quality and safety, to monitor on an ongoing basis adherence to policies, procedures and practices to promote food safety, and to proactively identify risks to food safety and ensure product traceability; and (g) that the certified authorized person(s) have established an energy management system (EnMS) to ensure the systematic tracking, analysis and planning of energy use within the organization, by establishing the processes, monitors, controls to conserve energy within the organization, by finding and qualifying routine energy waste, by implementing a framework for incorporating energy efficiency into management practices, by monitoring the implementation of energy conservation practices and procedures, by promoting continual improvement by investigating where to find energy savings by replacing and upgrading inefficient equipment, and by promoting the establishment of energy conservation goals and identify energy performance indicators. The applicant is not engaged in the manufacture, sale, leasing or hiring of goods or the performance of services such as those listed in the application.

## **Services**

### **Class 37**

(1) Environmental services, namely, responsible sourcing namely providing information on green-washing and on the use of green and natural cleaners; Environmental services, namely, responsible sourcing namely providing information regarding the installation of rainwater collection systems

### **Class 40**

(2) Environmental services, namely, e-recycling systems namely, compositing

**Class 42**

(3) Quality management services, namely, quality evaluation and analysis, quality assurance, quality auditing, and quality control in the automotive field, in the aerospace field, and in the general machinery and equipment field, namely, manufacturing and industrial machinery and equipment

(4) Quality management services, namely, quality evaluation and analysis, quality assurance, quality auditing, and quality control in the fields of medical devices, automotive, agriculture, textiles, chemicals, pharmaceuticals, energy, food and beverage, aerospace, health care, education, government, construction, general machinery and equipment, namely, manufacturing and industrial machinery and equipment, and computer technology; IT services, namely, secure management of information contained on computer networks and computer network infrastructure systems management

(5) Organic certification of produce and cosmetics;

**Class 44**

(6) Environmental services, namely, environmental sustainability in the fields of forest management and agricultural practices; Tree Farming; Occupational health management; and social accountability services to identify public health concerns in a community related to produce, cosmetics, supplements, vitamins and personal care products

**Class 45**

(7) Occupational safety management

**Application Number** 1,690,905  
**Language of Application** English

**Filing Date** 2014-08-22

## APPLICANT AND AGENT DETAILS

### Applicant

Peak Innovations Inc.  
203-11782 Hammersmith Way  
Richmond  
BRITISH COLUMBIA  
V7A5E2

### Agent

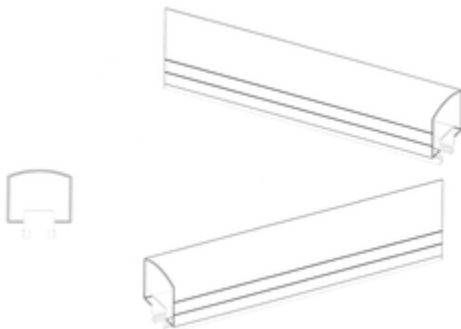
DAVID J. SCHNURR  
(MILLER THOMSON LLP), ACCELERATOR  
BUILDING, 295 HAGEY BLVD., SUITE 300,  
WATERLOO, ONTARIO, N2L6R5

## TRADEMARK DETAILS

### Trademark Type

Three-dimensional (3-D)

### Visual Representation



### Trademark Description

The mark for which a trademark registration is sought (hereinafter "the Mark") is a three-dimensional shape of a top handrail. The Mark consists of the three-dimensional shape shown in solid outline. The dashed lines do not form part of the Mark. The visual representations depict three different views of the Mark (i.e. three different views of the same trademark).

### Registrability Recognized

Registrability recognized under the Trademarks Act.

### Goods

#### Class 06

Exterior metal railings for decks and balconies.

**Application Number** 1,698,666  
**Language of Application** English

**Filing Date** 2014-10-20

## APPLICANT DETAILS

### Applicant

E.G. TIGER OUTSOURCING, LTD.  
PO Box 18141  
Jerusalem, 91181  
ISRAEL

## TRADEMARK DETAILS

# TURBO

### Trademark Type

Word

### Goods

#### Class 16

Tourist guides and maps; Greeting cards; Gift cards; Gift certificates; Loyalty, incentive and bonus cards; Tokens of value; Vouchers that may be redeemed for goods and services; Money-off coupons.

### Services

#### Class 35

(1) Retailing and sales in the field of food, beverages, dietary supplements, jewelry, beauty products, cosmetics, toiletries, garden supplies, pet supplies, luggage, cooking equipment, medical apparatus and medical supplies; Distribution of vouchers and gift tokens for promotional or commercial purposes; Gift registry services; E-commerce services, namely, the bringing together for the benefit of others, of a variety of food and beverage services, beauty services, accommodation services, cosmetic services, gardening services, fitness services and medical services, enabling consumers to conveniently compare and purchase those services; Issuing of tokens of value, gift certificates and vouchers; Scheduling services, namely, appointment scheduling services.

#### Class 36

(2) Insurance.

#### Class 38

(3) Electronic messaging, namely, providing on-line chat rooms and electronic bulletin boards for the transmission of messages, comments and multimedia content among users; Electronic messaging, namely, providing electronic mail and instant messaging services.

#### Class 39

(4) Travel arrangement; Travel advice, namely, travel guide and travel information services; Travel advice, namely, travel and tour information service; Reservation services, namely, reservation and booking of seats for travel; Reservation services, namely, travel and tour ticket reservation service.

#### Class 43



(5) Reservation services, namely, reservation and booking of restaurants and meals; Reservation services, namely, reservation and booking of hotel accommodation; Catering services; Hotel services.

**Application Number** 1,704,076  
**Language of Application** English

**Filing Date** 2014-11-24

## APPLICANT AND AGENT DETAILS

### Applicant

NATIONAL CAPITAL MARATHON INC.  
5450-45 Canotek Rd.  
Ottawa  
ONTARIO  
K1J9G2

### Agent

HEATHER L. BOYD  
(Pillar Ip, Inc.), 1661 Shauna Crescent, Greely,  
ONTARIO, K4P1M8

## TRADEMARK DETAILS

# OTTAWA 10K

### Trademark Type

Standard Characters

### Registrability Recognized

Registrability recognized under the Trademarks Act.

### Goods

#### Class 09

(1) Other promotional materials, namely, sun glasses; other promotional materials, namely, survival blankets and emergency thermal blankets for retaining body heat, not for medical purposes

#### Class 14

(2) Trophies of precious metals, medals and medallions; other promotional materials, namely, jewellery, brooches, novelty pins, key chains, charms for key chains, cuff links, earrings, lapel pins, lockets, necklaces, pendants, rings, tie pins, tie bars

#### Class 18

(3) Other promotional materials, namely, bags, namely, carry-all bags, flight & tote bags, airline bags, sport bags of all kinds

#### Class 21

(4) Other promotional materials, namely, drinking glasses, beer steins, plates, plaques, namely commemorative and decorative wall plaques, mugs, trays, namely, commemorative and decorative serving trays, drink coasters

#### Class 24

(5) Handkerchiefs

#### Class 25

(6) Clothing, namely t-shirts (short sleeve & long sleeve), tank tops, sweat shirts, jackets, running shorts, running pants, running skorts, socks, caps, hats, head squares, scarves, nylon shell jackets, knitted sweaters, socks, aprons, athletic shoes, sweat bands, jackets, pants, plastic rain ponchos

### Services

**Class 35**

Organizing, promoting and managing road races for runners and wheelchair athletes of all levels of ability in the interest of promoting sport and fitness

**Application Number** 1,706,212  
**Language of Application** English

**Filing Date** 2014-12-08

## APPLICANT AND AGENT DETAILS

### Applicant

True Software Scandinavia AB  
Kungsgatan 15  
111 43 Stockholm  
SWEDEN

### Agent

MOFFAT & CO.  
P.O. Box 2088, Station D, Ottawa, ONTARIO,  
K1P5W3

## TRADEMARK DETAILS

# TRUECALLER

### Trademark Type

Standard Characters

### Goods

#### Class 09

computer programs, computer software, downloadable computer software, computer platforms, and application software for computers and mobile communication units, all for information retrieval relating to telephone calls and electronic messages, filtering and blocking of telephone calls and electronic messages, identification of telephone numbers and senders of electronic messages and for social networking online; computer software for transmission of electronic messages; cellular phones, computer notebooks, personal digital assistants

### Services

#### Class 35

(1) telephone directory assistance services

#### Class 38

(2) data communication and telecommunication services, namely, electronic transmission of text and voice messages, music, photos, music and film video, voice messages by electronic communications networks, telephone, telephone lines, satellite transmission, fibre optic cables, the Internet; providing access to computerized electronic and on-line databases in the field of telephone directory information and business name information by electronic communications networks or via the Internet; streaming of text- and voice messages, music, photos and music and film video via the Internet; providing telephone directory information via the Internet; electronic messaging services, namely, filtering and blocking of electronic messages and identification of senders of electronic messages; paging services by means of electronic communication

### Claims

Priority Filing Date: July 10, 2014, Country or Office: SWEDEN, Application No: 2014/04557 in association with the same kind of goods and in association with the same kind of services

**Application Number** 1,707,385  
**Language of Application** English

**Filing Date** 2014-12-16

## APPLICANT AND AGENT DETAILS

### Applicant

ImmuneXpress Pty Ltd  
6 Leonard Street  
Boonah, QUEENSLAND 4310  
AUSTRALIA

### Agent

CLARK WILSON LLP  
900 - 885 WEST GEORGIA STREET,  
VANCOUVER, BRITISH COLUMBIA, V6C3H1

## TRADEMARK DETAILS

# SeptID

### Trademark Type

Standard Characters

### Goods

#### Class 01

(1) Biological chemical multiple pathogen DNA test kits for medical laboratory use; diagnostic reactants and reagents for clinical laboratory use, and for medical research use; chemical used in laboratory analysis, namely, chemical preparations consisting of pre-mixed reactants and reagents for scientific research; diagnostic preparations for medical or veterinary use, namely diagnostic preparations for medical and veterinary research use; testing kits, namely diagnostic kits consisting primarily of buffers, enzymes, binding and reporter molecules, quenchers, blocking agents, and reagents for scientific purposes for use in purification, concentration, isolation, amplification, detection, identification and quantification of microbial-specific nucleic acids or proteins or carbohydrates, or lipids or metabolites

#### Class 05

(2) Pharmaceutical preparations and substances to facilitate multiple pathogen DNA tests, namely multiple pathogen DNA test kits for medical laboratory analysis; diagnostic preparations for medical or veterinary use, namely diagnostic preparations for clinical laboratory use, for medical and veterinary laboratory use, and for medical and veterinary diagnostic use; diagnostic reactants and reagents for medical diagnostic use

#### Class 10

(3) Surgical and medical apparatus and instruments including for use in relation to multiple pathogen DNA tests, namely surgical instruments, and medical apparatus and instruments for use in relation to multiple pathogen DNA tests, namely, instruments or apparatus for purification, concentration, isolation, amplification, detection, identification and quantification of microbial-specific nucleic acids or proteins or carbohydrates or lipids or metabolites; testing kits, namely, diagnostic kits consisting primarily of probes for use in purification, concentration, isolation, amplification, detection, identification and quantification of microbial-specific nucleic acids or proteins or carbohydrates or lipids or metabolites; point of care medical devices namely medical instruments for analysis of gene expression, protein expression, metabolite expression, inflammation, immune-suppression, immune disorders

### Services

**Class 42**

(1) Medical services, namely, medical laboratory research services; providing medical information, advisory and consultancy services in the field of medical laboratory research services

**Class 44**

(2) Medical services, namely, medical diagnostic services, medical testing services, medical counselling, namely medical counseling in the field of the analysis of gene expression, protein expression, metabolite expression, inflammation, immune suppression, and immune disorders; medical pathology services, namely for the diagnosis and treatment of diseases and inflammation arising from infections of the blood or other infections, for the diagnosis and treatment of immune disorders; medical and pathology services namely the analysis of body fluid samples, molecular diagnostic services and taking of body fluid samples of others; providing medical information, advisory and consultancy services in the field of medical services, namely, medical pathology services, medical diagnostic services, medical testing services, and medical counseling in the field of the analysis of gene expression, protein expression, metabolite expression, inflammation, immune-suppression, and immune disorders

**Application Number** 1,739,655  
**Language of Application** English

**Filing Date** 2015-07-30

## APPLICANT AND AGENT DETAILS

### Applicant

TEKNOR APEX COMPANY  
505 Central Ave.  
Pawtucket, RI 02861  
UNITED STATES OF AMERICA

### Agent

RIDOUT & MAYBEE LLP  
250 University Avenue, 5th Floor, Toronto,  
ONTARIO, M5H3E5

## TRADEMARK DETAILS

# SMART FLO

### Trademark Type

Word

### Goods

#### Class 17

Garden hoses, lawn hoses, watering hoses.

**Application Number** 1,742,968  
**Language of Application** English

**Filing Date** 2015-08-24

## APPLICANT AND AGENT DETAILS

### Applicant

Etihad Airways  
PO Box 35566, New Airport Road  
Abu Dhabi  
UNITED ARAB EMIRATES

### Agent

MOFFAT & CO.  
P.O. Box 2088, Station D, Ottawa, ONTARIO,  
K1P5W3

## TRADEMARK DETAILS

### Trademark Type

Design

### Visual Representation



### Colour Claim

Colour is claimed as a feature of the trademark. The words FAST and TRACK are in white and the background is red. The arrows are red and the background is white.

### Services

#### Class 39

Airline services for the transportation of passengers and cargo; air transportation of passengers and cargo; handling of passengers luggage; services for the handling of passenger cargo; baggage handling; cargo handling; services for the garaging of vehicles; storage services namely storing of vehicles and goods; rental services namely vehicle, garage and parking place rental; transport services namely chauffeur, automobile, taxi, bus, rail and plane services; transportation of vehicles by air, passengers, luggage, furniture and cargo, towing of vehicles; travel services including the provision of reservation services; providing travel arrangements, travel information and tourism information to airline passengers; airport services namely services connected with processing passengers through an airline terminal, processing passengers' luggage and cargo, portage and services for loading and unloading cargo; air traffic control services, including control of flight paths for arriving and departing aircraft and design of departure and approach procedures; arranging hanger storage facilities for aircraft; provision of warehouses namely rental of warehouse storage space and storage of freight;



**Application Number** 1,748,268  
**Language of Application** English

**Filing Date** 2015-09-29

## APPLICANT AND AGENT DETAILS

### Applicant

Alibaba Group Holding Limited  
Fourth Floor, One Capital Place  
P.O. Box 847  
George Town, Grand Cayman  
CAYMAN ISLANDS

### Agent

SMART & BIGGAR LLP  
SUITE 900, 55 METCALFE STREET, P.O.  
BOX 2999, STATION D, OTTAWA, ONTARIO,  
K1P5Y6

## TRADEMARK DETAILS

# TMALL BOX

### Trademark Type

Word

### Goods

#### Class 09

Scientific, photographic, cinematographic, signalling and laboratory apparatus and instruments, namely, microscopes, pipettes, flasks, test tubes, cameras, photographic lenses, camera filters, photometers, slide plates, slide projectors, telescopes, eyeglasses and sunglasses, magnifying glasses, video viewers, namely, video monitors and video tape players, lamps, namely, flash lamps for photography, television screens, picture enlargers projectors, video tape recorders, loadmeters, namely, ammeters, speed indicators, namely, speedometers, fuel level gauges, temperature gauges; apparatus for recording, transmission and reproduction of sound and images, namely, computers, computer screens, computer keyboards, printers, telephones, telecopiers, televisions; magnetic data carriers, namely, blank magnetic tape, recording discs, namely, blank floppy discs, blank audio compact discs, blank audio digital discs, blank compact discs, blank hard discs, blank laser discs, blank digital audio discs, blank digital versatile discs, pre-recorded floppy disks and CD ROMS containing information in the field of electronic commerce, online trading in which seller posts products to be auctioned and bidding is done via the Internet, data management, namely, updating and maintenance of data in computer databases, telecommunications, namely, television and radio broadcasting, entertainment, namely movies, television shows and music videos, education, namely educational videos in the field of computers, finance, insurance, property development, property management and technology information services, namely, educational videos in the field of computers; mechanisms for coin-operated vending machines; cash registers, calculators, electronic data processing equipment namely, computers and printers for use with computers; computer programs for use in electronic commerce for processing electronic payments to and from others and authenticating the identity of payer; software for processing electronic bill payments and credit and debit card payments; authentication software for verification in the nature of on-line payment and transfer of funds; on-line electronic publications, namely, books, magazines, newsletters, journals, directories, catalogues and information pamphlets downloadable from the Internet; on-line electronic publications, namely, books, magazines, newsletters, journals, directories, catalogues and information pamphlets downloadable from a computer network; on-line electronic publications, namely, books, magazines, newsletters, journals, directories, catalogues and information pamphlets downloadable

from a computer database; downloadable instant messaging software for electronically exchanging text messages, photographs, graphics, music, audio books, podcasts, voice messages via computer, mobile, wireless and telecommunications networks; computer file sharing software for use on computers, mobile phones, smartphones, smart watches, tablets, laptop computers, portable computers, mobile computers, personal digital assistants that allows users to exchange data, namely, email messages, text messages, photographs, graphics, music, audio books, podcasts, voice messages and video in the nature of movies, music videos, television programs, clips of movies and television programs, video messages and user uploaded video clips with one another via computer networks, the Internet, and cellular telecommunications networks; mobile phone and computer communications software that allows electronic transmission of text, audio, video, images and graphics, namely, email messages, text messages, photographs, graphics, music, audio books, podcasts, voice messages and video in the nature of movies, music videos, television programs, clips of movies and television programs, video messages and user uploaded video clips via computer, mobile, wireless, and telecommunication networks, namely, radio, telephone, cable and satellite communication networks; computer software for image, graphics and word processing; computer software for creating and editing music and user generated videos and movies; downloadable computer software to enable electronic transmission of information, documents, voice, and still images, namely, email messages, text messages, photographs, graphics, music, audio books, podcasts, voice messages and video in the nature of movies, music videos, television programs, clips of movies and television programs, video messages and user uploaded video clips to mobile phones and computers over the Internet; downloadable computer software which allows users to participate in web-based meetings and classes, with access to data in the field of electronic commerce in the field of retail store services and online trading, text documents, photographic images and computer software applications for facilitating business transaction in the field of electronic commerce in the field of retail and wholesale store services and online trading through a web browser; downloadable computer software for accessing, viewing, and controlling remote computers and computer networks; downloadable electronic publications, namely, newspaper and magazine articles, essays and academic papers, and instructional books, charts, diagrams and downloadable video files in the fields of telecommunications, namely, television and radio broadcasting, navigating the Internet, training, namely, arranging and conducting of online instructional courses, computer training, correspondence courses, conferences, workshops, seminars, webinars in the field of retail store and wholesale store services, business assistance, namely, facilitating business transactions via an electronic marketplace for the buyers and sellers and goods and services via local and global computer networks, sales methods, sales management, social selling, sales improvement, sales promotion, lead generation sales, sales training, and marketing all in the field of business management and electronic commerce in the field of retail store and wholesale store services; notebook computers; laptop computers; portable computers; handheld computers; personal digital assistants; personal media players, namely, portable and handheld audio and video players, namely, MP3 players, MP4 players, CD players, DVD players; mobile telephones; smart phones; digital cameras; batteries and battery chargers for notebook computers, laptop computers, portable computers, personal digital assistants, personal media players, namely, portable and handheld audio and video players, namely, MP3 players, MP4 players, CD players, DVD players, mobile telephones, smart phones and digital cameras; computer workstations, comprised of computer, monitor and printer; computer servers, network servers; computer and telecommunications networking hardware namely, computer network adaptors, switches, routers and hubs; modems and communication cards and devices, namely, long distance calling cards, cell phone, telephones; laptop computer holders, namely, laptop carrying cases, sleeves for laptops, computer bags; fire extinguisher; computer hardware; computer firmware for controlling

large overhead variable message signs on highways, computer firmware for database management, namely, assuring accuracy and stability of data information, namely, customer transaction records, membership records, product inventory records, customer preference, customer credit rating, sellers' credit rating, in the field of electronic commerce in the field of retail store and wholesale store services, online trading and data management, namely, processing, updating, storing, retrieving and maintenance of data in computer databases, computer firmware for programming of function of hardware and network of computers and for remote monitoring of function of hardware and network of computers; E-commerce computer software to allow users to perform electronic payment transactions via a global computer network; compact discs containing music; digital music downloadable from the Internet; telecommunications apparatus, namely, network telephone, electronic facsimile machines, handheld computers, personal digital assistants and mobile phones; mouse mats; mobile phone handsets; mobile phone accessories, namely, cases, holders, handsfree headsets and chargers; downloadable computer games, pictures, photographs, motion pictures, movies and music for computers, handheld computers and mobile phones; alarm systems, namely, personal security alarms, burglar alarms, fire alarm systems; security cameras, namely, camcorders, cameras, closed circuit television cameras, digital cameras, infrared cameras; mobile radio and television broadcasting units, namely, receptors, antennas, radios and television sets; television broadcasting equipment, namely, transmitters, amplifiers, television cameras and monitors, camcorders, namely, video camera recorders and video teleprompters; cameras; video cameras; headphones; ear pieces, namely, earbuds, earsets and earphones; stereo and computer speakers; Global Positioning System (GPS) apparatus and equipment, namely, computer software, transmitters, receivers and hand held units, for automotive, aviation and marine uses and vehicle tracking; computer, electronic hand-held games and video games; liquid crystal displays for telecommunications and electronic equipment, namely, computer monitors, laptop computers, tablet computers, televisions, mobile phones, digital cameras; television set top box; remote controls, namely, remote controls for televisions, remote controls for home audio sets, remote controls for video players, namely, CD players, DVD players and MP4 players; spectacles and sunglasses; signboards, namely, luminous signs and neon signs; encoded credit, debit, cash and identification cards and magnetic credit, debit, cash and identification cards; automatic teller machines, cash dispensing machines for making change and for exchange of coins to cash; computer software applications, downloadable for image and graphic processing, audio processing, video processing and word processing; electronic book readers; toner cartridges, unfilled, for printers and photocopiers; baby monitors; video baby monitors; lens hoods; tablet computers; encoded key cards, namely, encoded identity cards, identification cards with embedded chips, identification smart cards; 3D spectacles; memory cards for video game machines

## **Services**

### **Class 35**

(1) Providing computer links via a website to third party web sites in the field of electronic commerce in the nature of retail store and wholesale store services to facilitate e-commerce and real world business transactions; consultancy services in the field of advice in the nature of the secure transmission of data and information in the field of business and e-commerce, namely, email messages, text messages, photographs, graphics, music, audio books, podcasts, voice messages and video in the nature of movies, music videos, television programs, clips of movies and television programs, video messages and user uploaded video clips, via radio, telephone lines, satellite, cable network and wide area network; promoting the sale of goods and services through promotional contests and the distribution of related printed material; administration of cultural and educational exchange programs

**Class 38**

(2) Telecommunications services, namely, data transmission services over radio frequencies, wireless telephone networks, cable networks, computer networks, wide area networks, and the Internet, for the transmission of data, namely, music, motion pictures, animated movies, television shows, cartoons, musical videos, music concerts, musical shows, news and sports events and streaming of video, voice and audio recordings, namely, music, motion pictures, animated movies, television shows, cartoons, musical videos, music concerts, musical shows, news and sports events; providing web-based multimedia teleconferencing, videoconferencing, and online meeting services that allow simultaneous and asynchronous viewing, sharing, editing, and discussion of documents, text data, and images by participants via a web browser; providing customers with online access to online reports regarding the performance, effectiveness, and status of web-based software applications, teleconferences, videoconferences and meetings; operation of a website providing users with secure remote access to private computer networks; operating a website to allow users to collaborate with others by allowing users to access computer software applications, downloadable for image and graphic processing, audio processing, video processing, and text processing, and computer file management platforms, jointly-shared documents and data, namely, email messages, text messages, photographs, graphics, music, audio books, podcasts, voice messages and video in the nature of movies, music videos, television programs, clips of movies and television programs, video messages and user uploaded video clips, task lists, and discussion forums; providing an online database of information in the field of Internet broadcasting complaint submission procedures and platforms; facsimile transmission; electronic mail services through wired and wireless access, paging services, wireless digital messaging services; rental of modems; electronic mail communication services by electronic means; rental of telecommunication equipment, namely, telephones, audio handsets, namely, hands free kits for phones and walkie-talkies; email services; secure email services; digital text messaging; text messaging; operation of a website providing electronic exchange of voice, data, audio, video, text and graphics, namely, mail messages, still picture and moving picture information, namely, photographs and movies, accessible via computer and telecommunication networks, namely radio, telephone, cable and satellite communication networks; instant messaging services, namely, voice messaging services, text messaging services, wireless digital messaging services; mobile phone communication services; transmission and delivery of text messages, emails, photographs, emojis, Gifs, music, music videos, movies, films, television programs, news programs and sports programs via computer and telecommunication networks, namely, radio, telephone, cable and satellite communication networks; transmission, broadcast and reception of text messages, email, photographs, music, movies, films, television programs, music videos, news programs, and sports programs, in compressed and uncompressed form and in real and delayed time via a website; electronic text and voice messaging, telephone conferencing and providing electronic transmission of credit card transaction data and electronic payment data via a global computer network; video conferencing services; operation of electronic bulletin board on a website that enables users to perform a real-time interactive talk between a computer terminal and an electronic bulletin board containing still picture and moving picture information, namely photographs, movies, emojis, Gifs and voice information, namely recorded fictional characters, such as characters for social networking purposes on topics of general interest; operation of providing electronic bulletin boards, message boards and online discussion forums on a website for transmission of messages for social networking purposes on topics of general interest; providing online chat rooms for registered users for transmission of messages concerning collegiate life, classified, virtual community and social networking; television broadcasting services; broadcasting of radio and television programmes; music broadcasting, via radio, television and the internet; operation of a webserver

for transmission of music, films, interactive computer game programmes, music videos, electronic computer games via a website; operation of a webserver transmission of information concerning customer transaction records, membership records, product inventory records, customer preference, customer credit rating, sellers' credit rating in the field of on-line shopping and general retail services via a website; video-on-demand transmission services; news agency services; providing access to computer database, via a website, facilitating electronic commerce in the field of retail store and wholesale store services and online trading in which seller posts products to be auctioned and bidding is done via the Internet on the global computer network for searching and retrieving information, data, web sites and resources in the field of electronic commerce in the field of retail store and wholesale store services and online trading; operation of a website providing user access to a computer database containing electronic publications, namely, books, magazines, newsletters, journals, directories, catalogues and information pamphlets, electronic bulletin boards for the posting and transmission of messages among and between computer users concerning products, services and business opportunities for business networking purposes, computer database and information in the field of electronic commerce in the nature of retail store and wholesale store services and online trading in which seller posts products to be auctioned and bidding is done via the Internet accessible via computer; operation of chat rooms for social networking purposes on topics of general interest, namely, chat room services; multiple user access to global computer information networks for the transfer and dissemination of information in the field of electronic commerce and online trading; providing access to a website on a global computer network by which third parties buy and sell goods and services, place and fulfill orders, and conduct business transactions in the field of electronic commerce in the field of retail store and wholesale store services; providing access to an interactive website via a global computer network for third parties to post information in the field of electronic commerce and online trading in which seller posts products to be auctioned and bidding is done via the Internet, respond to requests and place and fulfill orders for products, services and Internet-based business networking services; communication services, namely, text and numeric digital messaging services; transmission of digital information, namely, customer transaction records, membership records, product inventory records, customer preference, customer credit rating, sellers' credit rating over the Internet, telephone networks, cellular networks, and computer networks for assisting strategic planning services in the field of business management and e-commerce in the field of retail store and wholesale store services; transmission of information, namely audio, video, still and moving images and text through video conference systems; web video conferencing services; operation of virtual chatrooms via text messaging; providing electronic bulletin boards for the posting and transmission of messages among and between computer users concerning products, services and business leads and opportunities for social and business networking purposes; providing an online interactive bulletin board for the posting, promoting the goods and services of others, sale and resale of items via a global computer network; providing electronic mail and electronic mail forwarding services; providing computer access and leasing access time to online interactive bulletin boards and databases in the field of electronic commerce in the nature of retail store and wholesale store services and online trading in which seller posts products to be auctioned and bidding is done via the Internet; providing access to a web site on a global computer network by which third parties can buy and sell goods and services, place and fulfill orders; providing access via a website to electronic bulletin boards for the posting and transmission of messages among and between computer users concerning products, services and Internet-based business networking services; providing access to electronic calendar, address book and electronic notebook, via local and global computer networks; operation of a website that provides streaming of digital recorded music, not downloadable, from the Internet; operation of a website that provides non-downloadable MP3 digital music streaming; operation of a website that provides streaming of

videos such as news, sports, entertainment, namely, television shows, movies, musical concerts and videos, theatre productions and comedy shows, popular culture in the field of celebrity news, lifestyle in the field of fashion, beauty, nutrition and exercise, music, framed artwork, education, namely, online courses and webinars in the fields of business, business management, e-commerce, information security, computer data security and intellectual property and educational videos in the field of information technology, namely, computers, educational videos in the field of business management, business networking, finance in the field of credit and debit control, investment, grants and financing of loans, architecture, law, psychology, business administration, business marketing, financial literacy and financial planning; providing direct connection services to the Internet via telephone lines, satellite, cable network and wide area network between computer users for exchanging data, namely emails, short video clips and text messages

### **Class 41**

(3) Education services, namely, providing seminars and conferences in the field of business management and e-commerce in the nature of retail store and wholesale store services; providing of training, namely, arranging and conducting of instructional courses, computer training, correspondence courses, conferences, workshops, seminars, webinars in the field of business management and e-commerce in the nature of retail store and wholesale store services; entertainment in the form of air shows, dance performance and circus performance; booking seats for shows and sports events; providing information in the field of sporting, namely, baseball games, soccer matches, tennis tournaments, basketball games, golf tournaments, swimming competitions, and cultural events, namely, community festivals, wine festivals, dance performances, music festivals and art exhibitions; publication of texts, namely, articles and academic papers, books and journals; publication of diagrams, namely, charts and graphs, and photographs; publication of newspapers, magazines and periodicals; education, training and instruction services, namely, online courses and webinars, in the fields of operation of telecommunications equipment, namely, satellite, wireless computer network, telephone, cable network, cellular network, operation of computers, operation of computer programs, web site design, electronic-commerce, namely, conducting electronic business transaction in the nature of retail store and wholesale store services via the Internet, business management and advertising; educational services, namely, development of courses and examinations to provide qualifications in the field of computer programming; provision of information in the fields of yoga, fun fair, social dance, baseball, soccer, tennis, basketball, golf, swimming, community social events, wine festivals, dance performances, music festivals and art exhibitions; providing on-line electronic publications not downloadable namely, publishing of an electronic newsletter; arranging, organizing, hosting and conducting singing competitions; arranging, organizing, hosting and conducting musical concerts; arranging, organizing, hosting and conducting game shows and quests, namely role playing games; entertainment ticket agency services; providing information in the field of entertainment, namely, television shows, movies, musical concerts and videos, theatre productions and comedy shows and in the field of education, namely, online courses and webinars in the nature of business management, electronic commerce in the field of retail store and wholesale store services, information security, computer data security and intellectual property, provided online from a computer database and the Internet; premium and pay television programming services and television programming services; entertainment and education services, namely, production and broadcasting of non-downloadable audio and voice recordings, namely, non-downloadable digital files featuring music, movies, news and sports webcasts, music videos and television shows, photographic images, digital music, movies, live and recorded audio and voice recordings, namely, non-downloadable digital files featuring music, movies, news and sports webcasts, music videos and television shows and non-downloadable digital video recordings featuring music, movies,

news and sports webcasts, music videos and television shows for broadcasting on the Internet, digital wireless and wired boxes; production of television and radio programmes for entertainment, and educational purposes, and documentary and news programmes for broadcasting on the Internet; news reporters' services; provision of information in the field of current news events and breaking news provided by satellite television transmission and the Internet; production of television programs for entertainment and educational purposes; production of radio programs; film production; preparation and production of television programmes; providing a web site featuring on-line computer games; provision of health club, sports arena facilities and gymnasium facilities; entertainment in the form of live performances by a musical band; operation of discotheque, entertainment in the form of fashion shows and night club services; arranging, conducting and provision of conferences, conventions, congresses, seminars and training workshops in the field of finance, real estate, electronic commerce in the nature of retail and wholesale store services, online trading services in which seller posts products to be auctioned and bidding is done via the Internet, computer hardware and software and telecommunications, namely, satellite, wireless computer networks, telephone communications, cable network and cellular network; arranging and conducting art exhibitions; training in the field of occupational health and safety; training in the field of standards and practices to assure compliance with environmental regulations; provision of cigar classes, wine tasting classes; instructional services in the field of operation of audiovisual equipment, which is used for the production of broadcasting radio and television programs; providing audio and visual recording studios; providing sports facilities, namely, basketball courts, tennis courts, swimming pools, gymnastic rooms; providing theatre facilities for movies, shows, plays, and music; providing classroom facilities for educational training; theatrical booking agencies; rental and leasing of motion pictures, cine-films; rental and leasing of musical instruments; rental and leasing of television programmes; rental and leasing of television sets; lending libraries; archive library services; film subtitling services; sign language interpretation services; operation of a website providing video games, computer games, still images, namely, photographs; providing online computer games; rental of pre-recorded video tapes; rental and leasing of video game machines; lending of arcade game equipment; rental of artwork; photographic services, namely, photographer; translation; language interpretation; education courses in the field of risk management services; news reporting; lottery services; tutoring

**Class 42**

(4) rental of entertainment software, namely, video games

**Application Number** 1,758,293  
**Language of Application** English

**Filing Date** 2015-12-07

## APPLICANT AND AGENT DETAILS

### Applicant

Beijing 58 Information Technology Co. Ltd.  
Block E, The North American International  
Business Center  
Yi 108, Beiyuan Road, Chaoyang District,  
10012  
Beijing  
CHINA

### Agent

NEXUS LAW GROUP LLP  
777 Hornby Street, Suite 2000, Vancouver,  
BRITISH COLUMBIA, V6Z1S4

## TRADEMARK DETAILS

### Trademark Type

Design

### Visual Representation



### Foreign Character Translation

As provided by the applicant, the English translation of the Chinese characters is "Same city/town".

### Foreign Character Transliteration

As provided by the applicant, the transliteration of the Chinese characters is "Tong Cheng".

### Goods

#### Class 09

(1) Ad server, namely, a computer server for storing advertisements and delivering advertisements to websites; applications for mobile phones for accessing weather information; bags adapted for laptops; bags and cases specially adapted for holding or carrying portable telephones and telephone equipment and accessories; communications software used to connecting computer network users and global computer networks; computer application software for computers, mobile phones, PDAs, PADs, televisions, set-up boxes, radios, cars, portable media players, handheld computers, namely, software for use in database management, for use in electronic storage of data, for user registration and authentication, for use in uploading and downloading text messages, photos, symbols, audio clips, and video clips, for playing audio clips and video clips, for online chatting, for voice over IP telephone calling, for managing favorite websites, for making electronic payments, money transfers, providing loan information, and purchasing financial products, for providing location information and GPS-enabled maps, for playing online games, for shopping online, for booking travel tickets, hotels, cars, restaurants, tickets for live shows and movies and tickets for sporting games, for providing price comparison information, and sales promotion information, and for web site traffic optimization; computer network bridges; computer network server; computer operating recorded programs; computer programs for document



management; computer programs or software for use in database management, use in electronic storage of data, for user registration or authentication, use in uploading and downloading text messages, photos, symbols, audio clips, and video clips, for playing audio clips and video clips, for online chatting, for voice over IP telephone calling, for managing favorite websites, for making electronic payments, money transfers, providing loan information, and purchasing financial products, for providing location information and GPS-enabled maps, for playing online games, for shopping online, booking travel tickets, hotels, cars, restaurants, tickets for live shows and movies and tickets for sporting games, for price comparison information, for providing sales promotion information, and for web site traffic optimization; computer servers; computer software for database management; computer software for organizing and viewing digital images and photographs; computer software for use in generating streaming advertisements on the web sites of others; computer software that allows transmission of graphics to mobile telephones; computer software to enable the transmission of photographs to mobile telephones; downloadable electronic publications in the nature of books, e-books, newsletters, manuals, magazines, pamphlets, newspapers, brochures, journals, text messages, audio clips and video clips in the field of sports, film, music, art, culture, finance, vehicle, pets, real estate, career, life, health, fitness, fashion, beauty, hairdressing, shopping, entertainment, education, sociality, news, travel, games, business, parent-child, computer software and computer hardware, weather, utilities, catalogs; electronic agendas; electronic newsletters; electronic periodicals

### **Class 16**

(2) Adhesive-backed cast PVC film for wrapping commercial vehicles for advertising or other promotional purposes; advent calendars; advertising pamphlets; advertising signs of cardboard; coasters of paper; desktop business card holders; desktop document file stands; desktop organizers; face towels of paper; hand towels of paper; linerboard for corrugated cardboard; note books; packing paper; paper; paperboard [cardboard]; plastic bubble packs for wrapping or packaging; pocket calendars; printed matter, namely, paper signs, books, manuals, curricula, newsletters, informational cards and brochures in the field of sports, film, music, art, culture, finance, vehicle, pets, real estate, career, life, health, fitness, fashion, beauty, hairdressing, shopping, entertainment, education, sociality, news, travel, games, business, computer software and computer hardware, weather, utilities, catalogs; printed publications, namely, brochures, booklets, and teaching materials, namely, guide books, newsletters, journals, pamphlets, periodicals, flyers and posters in the field of sports, film, music, art, culture, finance, vehicle, pets, real estate, career, life, health, fitness, fashion, beauty, hairdressing, shopping, entertainment, education, sociality, news, travel, games, business, computer software and computer hardware, weather, utilities, catalogs; printed publications in the field of sports, film, music, art, culture, finance, vehicle, pets, real estate, careers, living, health, fitness, fashion, beauty, hairdressing, shopping, entertainment, education, sociality, news, travel, games, business, computer software and computer hardware and weather; staplers; stationery, namely, stationery agendas, stationery cases, stationery personal organizers, stationery stickers and writing stationery; paper hole punches; rubber bands

### **Services**

#### **Class 35**

(1) Advertising and business management consultancy; advertising on the Internet for others; advertising by transmission of on-line publicity for third parties through electronic communications networks; advertising the goods and services of others; advertising the goods and services of others through all public communication means; advertising the goods and services of others via electronic media and specifically the internet; advice and information about customer services and

product management and prices on Internet sites in connection with purchases made over the Internet; advice and information concerning commercial business management; advice in the field of business management and marketing; attorney referrals; business administration assistance; developing promotional campaigns for business for others; business consulting in the field of business networking; commercial assistance in business management;; development of marketing strategies and concepts for others ; compilation of advertisements for use as web pages on the internet; compilation of business directories; dissemination of advertising for others via an online communications network on the internet; dissemination of advertising for others via the Internet; dissemination of advertising matter for others; distribution of advertisements and commercial announcements for others; distribution of advertising mail and of advertising supplements attached to regular editions for others; distribution of handbills; electronic commerce services, namely, providing information about products via telecommunication networks for advertising and sales purposes; issuing and updating of advertising texts for others; layout services for advertising purposes; market opinion polling studies; marketing analysis services; marketing research services; online advertising for others via a computer communications network; on-line advertising for others on computer networks; on-line advertising the goods and services of others on computer communications networks; preparing advertisements for others; product demonstration; production of advertising materials for others; promoting goods and services through the distribution of discount cards; advertising for others of on-line databases and electronic publications; providing a searchable online advertising guide featuring the goods and services of other online vendors on the internet; providing an on-line commercial information directory on the internet; providing and rental of advertising space on the internet; advertising the goods and services of others; personnel recruitment and placement; market assessments services; analysis of market research data and statistics; and public policy research services ; provision of space on websites for advertising goods and services; public opinion polling; rental of advertising space on web sites; updating and maintenance of data in computer databases; distribution of advertising materials for others; employment agencies; arranging and conducting fairs and exhibitions in the field of books, jobs, automobiles ; outsourcing of web development services; pay per click advertising; personnel recruitment services and employment agencies; promoting the goods and services of others through the distribution of discount cards; administration of incentive award programs to promote the sale of the goods and services of others

**Class 36**

(2) Financial analysis and research services

**Class 38**

(3) Providing on-line chatrooms and electronic bulletin boards for transmission of messages, comments and multimedia content among users ; computer aided transmission of information, namely, text messages, audio clips, video clips and photos; providing chat lines utilising the internet; transmission of digital files, namely, text messages, photos, symbols, audio clips, and video clips; providing an online bulletin board in the field of apartment rentals; providing an online bulletin board in the field of community social events

**Class 42**

(4) Computer programming; computer programming and maintenance of computer programs; computer programming and software design; computer services, namely, providing search engines for obtaining data on a global computer network; computer site design services; computer software design; computer software design and updating; computer website design; creating and designing web pages for others; creating and maintaining web sites for others; creating web pages for others; design, creation, hosting, maintenance of websites for others; creation of internet web sites

for others; creation, design, development and maintenance of web sites for third parties; database design and development; design and development of computer software; design and maintenance of web sites for others; design of computer database; design of homepages and websites; design, creation, hosting and maintenance of internet sites for third parties; designing and developing webpages on the internet for others; designing websites for the advertising purposes of others; development and creation of computer programs for data processing; electronic data storage; homepage and webpage design; hosting on-line web facilities for others; hosting the web sites of others on a computer server for a global computer network; maintenance of computer software; mapping services; preparation, update, installation and maintenance of computer software; providing weather information; weather forecasting; website design consultancy; computer services, namely, hosting on-line interactive public calendars that allow multiple participants to share event schedules and facility reservations; hosting of web sites

**Application Number** 1,770,914  
**Language of Application** English

**Filing Date** 2016-03-04

## APPLICANT AND AGENT DETAILS

### Applicant

Netcracker Technology Corporation  
95 Sawyer Road  
Waltham, MA 02453  
UNITED STATES OF AMERICA

### Agent

OSLER, HOSKIN & HARCOURT LLP  
SUITE 1900, 340 ALBERT STREET,  
OTTAWA, ONTARIO, K1R7Y6

## TRADEMARK DETAILS

### Trademark Type

Design

### Visual Representation



### Goods

#### Class 09

Computer software and hardware for use in managing enterprise resources, namely, in billing customers in the fields of inventory management, customer management, customer care, customer relationship management, partner and channel management, product management, revenue management, billing, rating, and charging, device management, end-user devices, service fulfillment and assurance, resource and network management, policy and management and enforcement, software as a service, and enterprise application management; computer software and computer hardware incorporating functionality, namely, managing and billing customers for the usage of global computer and telecommunications network services; computer software and computer hardware in the field of recording, managing and activating orders for global computer and telecommunications network services, the operation, management and configuration of computer networks and enterprise workforce, asset and knowledge management and enterprise financial analytics.

### Services

#### Class 35

(1) Enterprise based business analytics, namely, providing business and operational data analysis services; management services, namely management of enterprise workforces, asset and knowledge within a business; enterprise financial costs analytics.

#### Class 37

(2) Telecommunications maintenance services, namely, the maintenance of computer networks

**Class 38**

(3) Operation and administration of telecommunication systems and networks for others, namely, digital cellular personal communications systems and digital cellular personal communications networks for others via a global computer network; telecommunications routing and junction services, namely telecommunication bundle services that allow customers to reach cellular phones, voicemail and call routing between wireline and wireless phones and voicemail boxes.

**Class 42**

(4) Design, development and implementation of telecommunications networks and global computer networks; computer services in the nature of end-to-end turnkey delivery, namely, the integration of computer software into multiple systems and networks; service delivery platform services in the nature of managed services and end-to-end outsourcing, namely, developing, hosting and delivering software applications for others for use on mobile and internet-connected devices; computer services, namely recording, managing and activating orders for network services; operation, management and configuration of computer networks.

**Application Number** 1,771,069  
**Language of Application** English

**Filing Date** 2016-03-07

## APPLICANT AND AGENT DETAILS

### Applicant

Chartered Professional Accountants of Canada  
277 Wellington Street West  
Toronto  
ONTARIO  
M5V3H2

### Agent

OSLER, HOSKIN & HARCOURT LLP  
SUITE 6200, P.O. BOX 50, 1 FIRST  
CANADIAN PLACE, TORONTO, ONTARIO,  
M5X1B8

## TRADEMARK DETAILS

# CPA CANADA HANDBOOK

### Trademark Type

Word

### Registrability Recognized

Registrability recognized under the Trademarks Act.

### Goods

#### Class 09

(1) Publications in electronic form, namely, guides, manuals and books in the fields of: accounting, audit and assurance, financial management, business strategies and management accounting, containing principles, guidance and standards used: (i) in the preparation of financial information and (ii) in the performance of: (a) Audits of financial information and (b) other assurance services engagements conducted in accordance with assurance standards

#### Class 16

(2) Publications in printed form, namely, guides, manuals and books in the fields of: accounting, audit and assurance, financial management, business strategies and management accounting, containing principles, guidance and standards used: (i) in the preparation of financial information and (ii) in the performance of: (a) Audits of financial information and (b) other assurance services engagements conducted in accordance with assurance standards

**Application Number** 1,776,174  
**Language of Application** French

**Filing Date** 2016-04-07

## APPLICANT AND AGENT DETAILS

### Applicant

TMI CPA inc.  
308-1176 Rue Bishop  
Montréal  
QUÉBEC  
H3G2E3

### Agent

CHRISTIAN SARAÏLIS  
(Saraïlis Avocats), 686 Grande Allée Est, suite  
301, QUEBEC, QUÉBEC, G1R2K5

## TRADEMARK DETAILS

# Aclouding

### Trademark Type

Word

### Services

#### Class 35

(1) Accounting services, account auditing services, business auditing, auditing of financial statements, tax auditing, tax compliance and advisory services and advisory services related to the strategic development of organizations (private, public and parapublic), namely case analyses, feasibility studies, preparation of business plans, preparation of strategies for the implementation of organizational changes, opportunity studies, strategic advice, preparation and development of strategies to improve the performance, growth and development of organizations. Accounting services using cloud computing technologies.

#### Class 36

(2) Advisory services, namely financial advisory services, namely financial valuation, financial analysis, financial forecasting, financial management, financial planning, real estate advisory services.

**Application Number** 1,777,636  
**Language of Application** English

**Filing Date** 2016-04-11

## APPLICANT AND AGENT DETAILS

### Applicant

JAGUAR LAND ROVER LIMITED  
Abbey Road  
Whitley, Coventry CV3 4LF  
UNITED KINGDOM

### Agent

DEETH WILLIAMS WALL LLP  
150 YORK STREET, SUITE 400, TORONTO,  
ONTARIO, M5H3S5

## TRADEMARK DETAILS

# INGENIUM

### Trademark Type

Standard Characters

### Authorisation For Use

Consent from NATIONAL MUSEUM OF SCIENCE AND TECHNOLOGY is of record.

### Goods

#### Class 09

(1) Computer hardware and parts and fittings therefor; Computer software, except those for the administration of insurance policies, all for use in relation to vehicles, namely, downloadable mobile applications, interactive multimedia software, mobile applications and equipment, namely, wireless receivers and transmitters for wireless receiving and transmitting designed for automatic and hands-free driving, automobile safety devices, namely, proximity sensors and high-resolution cameras, and warning and alarm functions, for accident prevention and traffic alerts, computer software for monitoring driver behaviour, computer application software used by vehicle drivers and passenger to access, view, interact with, and download information in the fields of weather forecasts, vehicle navigation, directory assistance, accident prevention, travel alerts, vehicle safety, vehicle diagnostics and entertainment content, namely, news, digital video recordings, music, and podcasts, downloadable software and on-board software offering users remote and in-vehicle access to monitor and control motor vehicle functions for driver safety, comfort, wireless communication between vehicles and between driver and vehicle, navigation, and entertainment, namely, to make restaurant reservations, locate and reserve parking, make travel arrangements, request valet service, order transport and delivery of parcels, order chauffeur and concierge services, locate vehicle charging stations, order taxi transportation, book tickets for sporting, cultural and entertainment events, book rental or lease of cars, set up ride shares, request and obtain car history, participate in car rental club, obtain information about public and mass transit, manage business travel, track driver decisions to collect and transmit results with recommendation for vehicle selection, plan routes and modes of transportation, coordinate and engage transportation services, provide communications by means of mobile phones, personal digital assistants (PDAs), and direct to in-vehicle screens; bicycle helmets; cell phone cases adapted for bicycles; audible safety signals for vehicles, anti-theft, security and safety devices and equipment for vehicles, namely, emergency warning lights, electronic control systems for automobile brakes, devices for vehicle locating namely GPS tracker for vehicles, vehicle safety equipment, namely, back-up sensors and cameras, electronic tire pressure monitors, electronic vibration, shock,



motion, angle, temperature and voltage monitor, electronic motor vehicle ignition controls, and parts and fittings for all of the foregoing

### **Class 12**

(2) Motor vehicles and land vehicles, namely automobiles, trucks, sport utility vehicles and racing cars, and driverless motor vehicles and autonomous motor vehicles, namely, automobiles, trucks, sport utility vehicles and racing cars, and structural parts for all of the foregoing; powertrains for land vehicles, engines for land vehicles, motors for land vehicles, engines for motorcycles, motors for motorcycles, engines for bicycles, motors for bicycles, engines for racing cars, and structural parts for all of the foregoing; arm rests for vehicle seats, luggage bags specially adapted for fitting in the boot of vehicles, car interior organizer bags, nets and trays especially adapted for fitting in vehicles, head-rests for vehicle seats, vehicle head rest covers, wing mirror protective and vanity covers, car seat covers; covers for vehicle steering wheels, fitted covers for vehicles, wheels for motor vehicles, alloy wheels for motor vehicles, wheel trims for motor vehicles, wheel rims for motor vehicles, hub caps for wheels, hub centre caps, wheel covers, wheel sprockets, spoilers for vehicles, and covers for vehicles; seats for vehicles, safety seats for vehicles, safety belts for vehicles, safety seat harnesses for vehicles, and parts and fittings for all of the foregoing; audible safety signals for vehicles anti-theft, security and safety devices and equipment for vehicles, namely, anti-theft warning apparatus for motor cars, anti-theft automotive alarms, and structural parts and fittings for all of the foregoing; radiator grilles for vehicles, trim panels for vehicle bodies, vehicle centre consoles sold as parts of vehicles and which incorporate electronic interfaces, and structural parts and fittings for all of the foregoing; bicycles, and parts, fittings and accessories for bicycles namely, bicycle bells, bicycle horns, portable inflators for bicycles, side mirrors for bicycles, water bottle cages and holders for bicycles, fitted covers for bicycles, mudguards, racks for bicycles, saddlebags for bicycles, baskets adapted for bicycles, bicycle chains, bicycle seats, rims for bicycle wheels, bicycle seats, bicycle pedal clips, cleats and straps; strollers and prams, and their parts and accessories, namely, sunshield, rain cover, buggy hook for bags, snack tray, namely, tray for containing snacks forming part of strollers and prams, nets for strollers and prams, seat protectors, namely fitted stroller and pram protective seat covers, stroller and pram caddy, namely small storage containers forming part of strollers and prams, stroller and pram fan, namely fan forming part of strollers and prams, stroller and pram organizer, namely organizer for personal use and forming part of strollers and prams, stroller and pram cup holder, stroller and pram travel bag, stroller and pram saddlebag, stroller and pram seat adapter, namely the adapter portion of the stroller and pram allowing for attachment to cars and other motor vehicles, stroller and pram footmuff, pet seat mounted on bicycle and prams, namely attachable seat for pets to be mounted on bicycle and prams; baby, infant and child seats for vehicles, and parts and fittings; grip tape for bicycles

### **Class 24**

(3) stroller and pram blanket

**Application Number** 1,781,758  
**Language of Application** English

**Filing Date** 2016-05-11

## APPLICANT AND AGENT DETAILS

### Applicant

Coupang Corp.  
18th Floor (Sincheon-dong)  
570 Songpa-daero, Songpa-gu  
Seoul  
REPUBLIC OF KOREA

### Agent

OSLER, HOSKIN & HARCOURT LLP  
SUITE 1900, 340 ALBERT STREET,  
OTTAWA, ONTARIO, K1R7Y6

## TRADEMARK DETAILS

# COUPANG

### Trademark Type

Word

### Services

#### Class 35

Advertising the goods and services of others; providing ratings, reviews and recommendations on products and services of others, for marketing, via a website; Computerized online ordering featuring toys [playthings], books, pushchairs, babies' napkins [diapers], baby food, baby wipes for cosmetic use, furniture for babies, cosmetics for baths, bath sponges, bath linen, undergarments, footwear, bags namely athletic bags, backpacks, handbags, tote bags, shopping bags, bags made of leather, carry all bags, watches, eyeglasses, cosmetics, perfume and cologne, make-up, pet food, sporting articles except golf articles and climbing articles, namely, baseball batting helmets, basketballs, tennis rackets, footballs, volleyballs, baseball gloves, skates, downloadable magazines, downloadable books, downloadable newspapers, downloadable periodicals, electric audio and visual apparatus and instruments, namely, audio/video receiver for MP3 players, digital audio tape players, digital audio music players, digital video players and recorders, smart phones, telephone sets, computer hardware and computer peripheral devices, namely, mouse [computer peripheral], mouse pads, computer keyboards, printers and their parts, televisions, electric humidifiers for household use, electric refrigerators, electric heaters and electric radiators for heating rooms and buildings, cooling systems for household purposes namely electric fans and air conditioners, preserved, frozen, and dried fruits and vegetables, cooked vegetables namely, potatoes, carrots, onions, spinach, mushrooms, sweet potatoes, cucumbers, pumpkins, zucchini, spring onions, cooked fruits, instant or precooked soup, dried cooked-rice, dietary supplements for general health and wellness, dietary supplements containing jujube fruit, dietary supplement made from deer antlers, dietary supplement made from dried fish and shellfish, fresh fruits and vegetables, raw grains, unprocessed grains for eating [breakfast cereals, ready to eat cereals], fish and shellfish [live], fresh seaweeds, meat, eggs, milk, textile fabrics for home décor, interior textile window blinds, vacuum cleaners for household purposes, laundry washing machines for household use, household shears, plastic, glass and metal beverage and food storage containers for household use, gloves for protection against accidents, safety helmets, fire protective clothing, safety goggles, maternity belts, sanitary toiletries namely sanitary napkins and tampons, sanitary preparations for medical use, namely, all purpose sanitary disinfectant cleaners, antibacterial soaps and hand washes for medical use, sanitary antibacterial facial masks for medical purposes,

sanitary vinyl bags for disposing of waste, moisturizing facial masks for medical purposes, necklaces, rings [jewelry], jewelry ornaments, cuff links, decorative articles for the hair, namely, hair pins, hair bands, clothing, headwear, belts for clothing, paper cups, place mats, door mats of textile, floor mats, mats for infant playpens, bath mats, drinking water, all purpose cleaning preparations, dish detergents, laundry detergents, toilet paper, paper towel, paper facial tissue, toilet tissue, paper wet tissue, tissues impregnated with cosmetics, paper tissues for removing makeup, abrasive cloth for cosmetic purposes, cleaning cloths, all purpose scouring sponges, cleaning cotton, cleaning pads impregnated with toilet preparations, cleaning rags, roll tape cleaner, baby wipes, baby wipes for cosmetic purposes, household scrubbing brushes, deodorants for pets, diapers for pets, clothing for pets, leashes for pets, pet toys, disposable housebreaking pads of paper or cellulose for pets, aromatic sand [litter] for pets, dog training pad; online trading services in which seller posts products to be auctioned and bidding is done via the Internet; dissemination of advertising of goods and services of others via local and global computer networks; advice in the field of business management and marketing; business administration and secretarial services; retail department store services; hypermarket wholesaling services, namely, wholesale of toys [playthings], books, pushchairs, babies' napkins [diapers], baby food, baby wipes for cosmetic use, furniture for babies, cosmetics for baths, bath sponges, bath linen, undergarments, footwear, bags namely athletic bags, backpacks, handbags, tote bags, shopping bags, bags made of leather, carry all bags, watches, eyeglasses, cosmetics, perfume and cologne, make-up, pet food, sporting articles except golf articles and climbing articles, namely, baseball batting helmets, basketballs, tennis rackets, footballs, volleyballs, baseball gloves, skates, downloadable magazines, downloadable books, downloadable newspapers, downloadable electronic periodicals, electric audio and visual apparatus and instruments, namely, audio/video receiver for MP3 players, digital audio tape players, digital audio music players, digital video players and recorders, smart phones, telephone sets, computer hardware and computer peripheral devices, namely, mouse [computer peripheral], mouse pads, computer keyboards, printers and their parts, televisions, electric humidifiers for household use, electric refrigerators, electric heaters and electric radiators for heating rooms and buildings, cooling systems for household purposes namely electric fans and air conditioners, preserved, frozen, and dried fruits and vegetables, cooked vegetables namely, potatoes, carrots, onions, spinach, mushrooms, sweet potatoes, cucumbers, pumpkins, zucchini, spring onions, cooked fruits, instant or pre-cooked soup, dried cooked-rice, dietary supplements for general health and wellness, dietary supplements containing jujube fruit, dietary supplement made from deer antlers, dietary supplement made from dried fish and shellfish, fresh fruits and vegetables, raw grains, unprocessed grains for eating [breakfast cereals, ready to eat cereals], fish and shellfish [live], fresh seaweeds, meat, eggs, milk, textile fabrics for home décor, interior textile window blinds, vacuum cleaners for household purposes, laundry washing machines for household use, household shears, plastic, glass and metal beverage and food storage containers for household use, gloves for protection against accidents, safety helmets, fire protective clothing, safety goggles, maternity belts, sanitary toiletries namely sanitary napkins and tampons, sanitary preparations for medical use, namely, all purpose sanitary disinfectant cleaners, antibacterial soaps and hand washes for medical use, sanitary antibacterial facial masks for medical purposes, sanitary vinyl bags for disposing of waste, moisturizing facial masks for medical purposes, necklaces, rings [jewelry], jewelry ornaments, cuff links, decorative articles for the hair, namely, hair pins, hair bands, clothing, headwear, belts for clothing, paper cups, place mats, door mats of textile, floor mats, mats for infant playpens, bath mats, drinking water, all purpose cleaning preparations, dish detergents, laundry detergents, toilet paper, paper towel, paper facial tissue, toilet tissue, paper wet tissue, tissues impregnated with cosmetics, paper tissues for removing make-up, abrasive cloth for cosmetic purposes, cleaning cloths, all purpose scouring sponges, cleaning cotton, cleaning pads impregnated with toilet preparations,

cleaning rags, roll tape cleaner, baby wipes, baby wipes for cosmetic purposes, household scrubbing brushes, deodorants for pets, diapers for pets, clothing for pets, leashes for pets, pet toys, disposable housebreaking pads of paper or cellulose for pets, aromatic sand [litter] for pets, dog training pad; online shopping mall services relating to toys [playthings], books, pushchairs, babies' napkins [diapers], baby food, baby wipes for cosmetic use, furniture for babies, cosmetics for baths, bath sponges, bath linen, undergarments, footwear, bags namely athletic bags, backpacks, handbags, tote bags, shopping bags, bags made of leather, carry all bags, watches, eyeglasses, cosmetics, perfume and cologne, make-up, pet food, sporting articles except golf articles and climbing articles, namely, baseball batting helmets, basketballs, tennis rackets, footballs, volleyballs, baseball gloves, skates, downloadable magazines, downloadable books, downloadable newspapers, downloadable electronic periodicals, electric audio and visual apparatus and instruments, namely, audio/video receiver for MP3 players, digital audio tape players, digital audio music players, digital video players and recorders, smart phones, telephone sets, computer hardware and computer peripheral devices, namely, mouse [computer peripheral], mouse pads, computer keyboards, printers and their parts, televisions, electric humidifiers for household use, electric refrigerators, electric heaters and electric radiators for heating rooms and buildings, cooling systems for household purposes namely electric fans and air conditioners, preserved, frozen, and dried fruits and vegetables, cooked vegetables namely, potatoes, carrots, onions, spinach, mushrooms, sweet potatoes, cucumbers, pumpkins, zucchini, spring onions, cooked fruits, instant or pre-cooked soup, dried cooked-rice, dietary supplements for general health and wellness, dietary supplements containing jujube fruit, dietary supplement made from deer antlers, dietary supplement made from dried fish and shellfish, fresh fruits and vegetables, raw grains, unprocessed grains for eating [breakfast cereals, ready to eat cereals], fish and shellfish [live], fresh seaweeds, meat, eggs, milk, textile fabrics for home décor, interior textile window blinds, vacuum cleaners for household purposes, laundry washing machines for household use, household shears, plastic, glass and metal beverage and food storage containers for household use, gloves for protection against accidents, safety helmets, fire protective clothing, safety goggles, maternity belts, sanitary toiletries namely sanitary napkins and tampons, sanitary preparations for medical use, namely, all purpose sanitary disinfectant cleaners, antibacterial soaps and hand washes for medical use, sanitary antibacterial facial masks for medical purposes, sanitary vinyl bags for disposing of waste, moisturizing facial masks for medical purposes, necklaces, rings [jewelry], jewelry ornaments, cuff links, decorative articles for the hair, namely, hair pins, hair bands, clothing, headwear, belts for clothing, paper cups, place mats, door mats of textile, floor mats, mats for infant playpens, bath mats, drinking water, all purpose cleaning preparations, dish detergents, laundry detergents, toilet paper, paper towel, paper facial tissue, toilet tissue, paper wet tissue, tissues impregnated with cosmetics, paper tissues for removing make-up, abrasive cloth for cosmetic purposes, cleaning cloths, all purpose scouring sponges, cleaning cotton, cleaning pads impregnated with toilet preparations, cleaning rags, roll tape cleaner, baby wipes, baby wipes for cosmetic purposes, household scrubbing brushes, deodorants for pets, diapers for pets, clothing for pets, leashes for pets, pet toys, disposable housebreaking pads of paper or cellulose for pets, aromatic sand [litter] for pets, dog training pad; business intermediary services relating to mail order selling by electronic communication, namely, providing arrangements between vendor and consumers for the purchase of consumer products via mail order; commercial information and advice for consumers provided via the internet and mobile phones featuring information regarding a wide variety of general consumer merchandise and general consumer goods of others, namely, toys [playthings], books, pushchairs, babies' napkins [diapers], baby food, baby wipes for cosmetic use, furniture for babies, cosmetics for baths, bath sponges, bath linen, undergarments, footwear, bags namely athletic bags, backpacks, handbags, tote bags, shopping bags, bags made of leather, carry all bags, watches, eyeglasses, cosmetics,

perfume and cologne, make-up, pet food, sporting articles except golf articles and climbing articles, namely, baseball batting helmets, basketballs, tennis rackets, footballs, volleyballs, baseball gloves, skates, downloadable magazines, downloadable books, downloadable newspapers, downloadable electronic periodicals, electric audio and visual apparatus and instruments, namely, audio/video receiver for MP3 players, digital audio tape players, digital audio music players, digital video players and recorders, smart phones, telephone sets, computer hardware and computer peripheral devices, namely, mouse [computer peripheral], mouse pads, computer keyboards, printers and their parts, televisions, electric humidifiers for household use, electric refrigerators, electric heaters and electric radiators for heating rooms and buildings, cooling systems for household purposes namely electric fans and air conditioners, preserved, frozen, and dried fruits and vegetables, cooked vegetables namely, potatoes, carrots, onions, spinach, mushrooms, sweet potatoes, cucumbers, pumpkins, zucchini, spring onions, cooked fruits, instant or pre-cooked soup, dried cooked-rice, dietary supplements for general health and wellness, dietary supplements containing jujube fruit, dietary supplement made from deer antlers, dietary supplement made from dried fish and shellfish, fresh fruits and vegetables, raw grains, unprocessed grains for eating [breakfast cereals, ready to eat cereals], fish and shellfish [live], fresh seaweeds, meat, eggs, milk, textile fabrics for home décor, interior textile window blinds, vacuum cleaners for household purposes, laundry washing machines for household use, household shears, plastic, glass and metal beverage and food storage containers for household use, gloves for protection against accidents, safety helmets, fire protective clothing, safety goggles, maternity belts, sanitary toiletries namely sanitary napkins and tampons, sanitary preparations for medical use, namely, all purpose sanitary disinfectant cleaners, antibacterial soaps and hand washes for medical use, sanitary antibacterial facial masks for medical purposes, sanitary vinyl bags for disposing of waste, moisturizing facial masks for medical purposes, necklaces, rings [jewelry], jewelry ornaments, cuff links, decorative articles for the hair, namely, hair pins, hair bands, clothing, headwear, belts for clothing, paper cups, place mats, door mats of textile, floor mats, mats for infant playpens, bath mats, drinking water, all purpose cleaning preparations, dish detergents, laundry detergents, toilet paper, paper towel, paper facial tissue, toilet tissue, paper wet tissue, tissues impregnated with cosmetics, paper tissues for removing make-up, abrasive cloth for cosmetic purposes, cleaning cloths, all purpose scouring sponges, cleaning cotton, cleaning pads impregnated with toilet preparations, cleaning rags, roll tape cleaner, baby wipes, baby wipes for cosmetic purposes, household scrubbing brushes, deodorants for pets, diapers for pets, clothing for pets, leashes for pets, pet toys, disposable housebreaking pads of paper or cellulose for pets, aromatic sand [litter] for pets, dog training pad; mediation of contracts for purchase and sale of goods for others; business intermediary services for others relating to the sale and purchase of a wide variety of general consumer merchandise and general consumer goods of others namely, toys [playthings], books, pushchairs, babies' napkins [diapers], baby food, baby wipes for cosmetic use, furniture for babies, cosmetics for baths, bath sponges, bath linen, undergarments, footwear, bags namely athletic bags, backpacks, handbags, tote bags, shopping bags, bags made of leather, carry all bags, watches, eyeglasses, cosmetics, perfume and cologne, make-up, pet food, sporting articles except golf articles and climbing articles, namely, baseball batting helmets, basketballs, tennis rackets, footballs, volleyballs, baseball gloves, skates, downloadable magazines, downloadable books, downloadable newspapers, downloadable electronic periodicals, electric audio and visual apparatus and instruments, namely, audio/video receiver for MP3 players, digital audio tape players, digital audio music players, digital video players and recorders, smart phones, telephone sets, computer hardware and computer peripheral devices, namely, mouse [computer peripheral], mouse pads, computer keyboards, printers and their parts, televisions, electric humidifiers for household use, electric refrigerators, electric heaters and electric radiators for heating rooms and buildings, cooling systems for household purposes

namely electric fans and air conditioners, preserved, frozen, and dried fruits and vegetables, cooked vegetables namely, potatoes, carrots, onions, spinach, mushrooms, sweet potatoes, cucumbers, pumpkins, zucchini, spring onions, cooked fruits, instant or pre-cooked soup, dried cooked-rice, dietary supplements for general health and wellness, dietary supplements containing jujube fruit, dietary supplement made from deer antlers, dietary supplement made from dried fish and shellfish, fresh fruits and vegetables, raw grains, unprocessed grains for eating [breakfast cereals, ready to eat cereals], fish and shellfish [live], fresh seaweeds, meat, eggs, milk, textile fabrics for home décor, interior textile window blinds, vacuum cleaners for household purposes, laundry washing machines for household use, household shears, plastic, glass and metal beverage and food storage containers for household use, gloves for protection against accidents, safety helmets, fire protective clothing, safety goggles, maternity belts, sanitary toiletries namely sanitary napkins and tampons, sanitary preparations for medical use, namely, all purpose sanitary disinfectant cleaners, antibacterial soaps and hand washes for medical use, sanitary antibacterial facial masks for medical purposes, sanitary vinyl bags for disposing of waste, moisturizing facial masks for medical purposes, necklaces, rings [jewelry], jewelry ornaments, cuff links, decorative articles for the hair, namely, hair pins, hair bands, clothing, headwear, belts for clothing, paper cups, place mats, door mats of textile, floor mats, mats for infant playpens, bath mats, drinking water, all purpose cleaning preparations, dish detergents, laundry detergents, toilet paper, paper towel, paper facial tissue, toilet tissue, paper wet tissue, tissues impregnated with cosmetics, paper tissues for removing make-up, abrasive cloth for cosmetic purposes, cleaning cloths, all purpose scouring sponges, cleaning cotton, cleaning pads impregnated with toilet preparations, cleaning rags, roll tape cleaner, baby wipes, baby wipes for cosmetic purposes, household scrubbing brushes, deodorants for pets, diapers for pets, clothing for pets, leashes for pets, pet toys, disposable housebreaking pads of paper or cellulose for pets, aromatic sand [litter] for pets, dog training pad; mediation of agreements for others for the sale and purchase of goods; commercial business appraisals and evaluations in commercial business matters; business appraisals and evaluations in business matters; provision of product descriptions, product images, product demonstrations, product listings, new product information and reviews, via computer networks and the Internet; dissemination of advertising for others via the Internet; providing business marketing information for others; presentation of goods on communication media for commercial purposes namely, promoting the goods of others by distributing online advertising materials; administrative processing of purchase orders; product demonstration services of the goods of others, via the Internet; providing an on-line commercial information directory on the Internet featuring hyperlinks to other web sites; management and compilation of computerized databases about advertisement of the goods and services of others; management and compilation of computerized commercial, advertising and business databases of the goods and services of others; procurement services in the form of contracts for the purchase and sale of goods and services of others; online retail store services featuring toys [playthings]; online retail store services featuring books; online retail store services featuring pushchairs; online retail store services featuring babies' napkins [diapers]; online retail store services featuring baby food; online retail store services featuring baby wipes for cosmetic use; online retail store services featuring furniture for babies; online retail store services featuring baby food made from agricultural products; online retail store services featuring baby food made from aquatic products; online retail store services featuring baby food made from livestock products; online retail store services featuring cosmetic preparations for baths; online retail store services featuring bath sponges; online retail store services featuring bath linen [except clothing]; online retail store services featuring all purpose cleaning preparations; online retail store services featuring under garments; online retail store services featuring footwear; online retail store services featuring bags namely athletic bags, backpacks, handbags, tote bags, shopping bags, bags made of leather, carry all bags; online retail

store services featuring watches; online retail store services featuring eyeglasses; online retail store services featuring cosmetics; online retail store services featuring perfume and cologne; online retail store services featuring make-up; online retail store services featuring pet food; online retail store services featuring sporting articles [other than golf articles/climbing articles]; online retail store services featuring downloadable magazines; online retail store services featuring downloadable books; online retail store services featuring downloadable newspapers; online retail store services featuring downloadable electronic periodicals; online retail store services featuring audio and video equipment; online retail store services featuring smart phones; online retail store services featuring telephone sets; online retail store services featuring computer hardware and computer peripheral devices, namely, mouse [computer peripheral], mouse pads, computer keyboards; online retail store services featuring printers and their parts; online retail store services featuring televisions; online retail store services featuring electric humidifiers for household use; online retail store services featuring electric refrigerators; online retail store services featuring electric heaters and electric radiators for heating rooms and buildings, cooling systems for household purposes namely electric fans and air conditioners; online retail store services featuring preserved, frozen, and dried fruits and vegetables, cooked vegetables namely, potatoes, carrots, onions, spinach, mushrooms, sweet potatoes, cucumbers, pumpkins, zucchini, spring onions, cooked fruits; online retail store services featuring instant or pre-cooked soup; online retail store services featuring dried cooked-rice; online retail store services featuring dietary supplements for general health and wellness; online retail store services featuring health supplements for general health and well-being made from deer antlers; online retail store services featuring health supplements for general health and well-being made from dried fish and shellfish; online retail store services featuring fresh fruits and vegetables; online retail store services featuring raw grains, unprocessed grains for eating [breakfast cereals, ready to eat cereals]; online retail store services featuring fish and shellfish [live]; online retail store services featuring fresh seaweeds; online retail store services featuring meat; online retail store services featuring eggs; online retail store services featuring milk; online retail store services featuring textile fabrics for home décor; online retail store services featuring interior textile window blinds; online retail store services featuring vacuum cleaners for household purposes; online retail store services featuring laundry washing machines for household use; online retail store services featuring household shears; online retail store services featuring plastic, glass and metal beverage and food storage containers for household use; online retail store services featuring gloves for protection against accidents; online retail store services featuring safety helmets; online retail store services featuring fire protective clothing; online retail store services featuring safety goggles; online retail store services featuring maternity belts; online retail store services featuring sanitary preparations namely sanitary napkins and tampons; online retail store services featuring sanitary preparations for medical use, namely, sanitizing wipes, sanitizing sheets, sanitizing towels, all purpose disinfectants, disinfectants for medical instruments, disinfectants for wounds, sanitary alcohol swab, sanitary cotton rods, sanitary adhesive bandages; online retail store services featuring sanitary masks for medical purposes, namely, face masks which cover the nose and mouth to reduce the transmission of particles, liquid droplets, germs, viruses and pollen there through; online retail store services featuring sanitary apparatus and installations, namely, water heaters, hot water cylinders for baths, washrooms, toilets and prefabricated installations for sanitary cells, namely prefabricated installation frames, assemblies and blocks for sanitary installations, for pre-wall installations; online retail store services featuring sanitary vinyl bags for disposing of waste; online retail store services featuring pharmaceutical and veterinary preparations for the relief of pain, for the treatment of acne, for the treatment of allergies, for the treatment of bacterial skin infections, fungal skin infections, viral skin infections and parasitic skin infections; online retail store services featuring moisturizing facial masks for medical purposes; online retail store services

featuring necklaces; online retail store services featuring rings [jewelry]; online retail store services featuring jewelry ornaments; online retail store services featuring cuff links; online retail store services featuring decorative hair ornaments; online retail store services featuring clothing; online retail store services featuring headwear; online retail store services featuring belts for clothing; retail services of discount coupons through Internet; sales agency services of discount coupons through Internet; advertising the goods and services of others via computer networks and specifically the Internet; advertising agency services; rental of advertising space on websites; direct marketing of the goods and services of others; corporate advertisement and promotion of the goods and services of others via computer networks and specifically the internet.



**Application Number** 1,781,919  
**Language of Application** English

**Filing Date** 2016-05-11

## APPLICANT AND AGENT DETAILS

### Applicant

Jazz Basketball Investors, Inc.  
Delta Center  
301 West South Temple  
Salt Lake City, UT 84101  
UNITED STATES OF AMERICA

### Agent

OSLER, HOSKIN & HARCOURT LLP  
SUITE 1900, 340 ALBERT STREET,  
OTTAWA, ONTARIO, K1R7Y6

## TRADEMARK DETAILS

### Trademark Type

Design

### Visual Representation



### Goods

#### Class 09

(1) Audio tape recordings and video tape recordings featuring entertainment and information in the field of basketball; pre-recorded optical discs, pre-recorded digital versatile discs, pre-recorded audio and video cassettes, pre-recorded audio and video tapes, pre-recorded compact discs, pre-recorded computer laser discs, all featuring entertainment and information in the field of basketball; computer accessories, namely blank USB flash drives, computer stands, mouse pads, mice, disc cases, computer bags, computer cases, computer sleeves, keyboard wrist pads, all related to basketball; computer programs for viewing information, statistics and trivia about basketball; computer software, namely screen savers featuring basketball themes; computer software to access and view computer wallpaper; computer web browser software for use in viewing and displaying websites, web pages containing information in the field of basketball, digital images, streaming videos and photographs on the Internet; computer skins, namely, fitted plastic film for covering and providing a scratch proof barrier for computers; computer video games; computer games downloadable from a global computer network; computer games for use on mobile and cellular phones; video games, video game cartridges; radios, electronic audio speakers, headphones and ear buds, wireless telephones, telephones; cell phone accessories, namely headsets, skins, face plates and cell phone covers; electronics accessories, namely skins, covers and stands for MP3 players, electronic tablets and portable personal digital assistants; decorative switch plate covers, video monitors, computer monitors, binoculars; sunglasses; eyeglass frames; eyeglass straps and chains; eyeglass and sunglass cases; decorative magnets and fridge magnets; disposable cameras; credit cards and pre-paid telephone calling cards magnetically encoded; nonmagnetic credit cards and telephone calling cards not magnetically encoded;

downloadable digital video recordings, downloadable digital video streams and downloadable digital audio recordings in the field of basketball provided over the Internet; downloadable computer software for database management and accessing of information, statistical information, trivia, opinion polling information, and interactive opinion polling, all in the field of basketball provided over the Internet; downloadable computer games; downloadable interactive video games and downloadable trivia games provided over the internet; downloadable computer software for use as screensavers and wallpaper, to access and display computer browsers, for use in viewing websites, web pages, digital images, videos and photographs on the Internet, for use in designing plastic film computer skins to protect computer monitors, for use in creating avatars for playing games and for use in remotely manipulating computer cursors over the Internet; downloadable electronic publications in the nature of magazines, newsletters, coloring books, game schedules all in the field of basketball provided over the Internet; downloadable catalogs provided over the Internet featuring an array of basketball-themed products; downloadable greeting cards provided over the Internet.

### **Class 12**

(2) License plate holders.

### **Class 14**

(3) Pendants, cuff links, earrings, bracelets, jewelry; costume jewelry; beaded jewelry; beaded necklaces; beads for use in the manufacture of jewelry; clocks; wrist and pocket watches; watch bands and watch straps, watch cases, watch fobs; necklaces made of precious metals; piggy banks; lapel pins; jewelry boxes, decorative boxes; tie clips; medallions; ornamental pins, non-monetary coins of precious metals; precious metals; figures and figurines of precious metals; trophies, and wall clocks; leather key chains; non-metal money clips; non-metal and non-leather key rings; non-metal and non-leather key chains, tags and fobs.

### **Class 16**

(4) Publications and printed matter, namely basketball trading cards, trading cards, stickers, decals, commemorative basketball stamps (specifically excluding postage stamps), collectible cardboard trading discs, paper coasters, post cards, place mats of paper, facial tissues, paper banners and flags, unmounted and mounted photographs, posters, calendars, bumper stickers, book covers, bookmarks, wrapping paper, children's activity books, children's coloring books; statistical books, guide books, and reference books, all in the field of basketball; magazines in the field of basketball, catalogs in the field of basketball, commemorative game and souvenir programs related to basketball, paper pennants, post cards, invitation cards, printed award certificates, printed commemorative certificates, printed gift certificates, greeting cards, Christmas cards, holiday cards, informational statistical sheets for basketball topics; newsletters, brochures, pamphlets, and game schedules in the field of basketball; cheques, check book covers, check book holders, comic books; money clips.

### **Class 18**

(5) Athletic bags, shoe bags for travel, overnight bags, umbrellas, backpacks, baby backpacks, knapsacks, duffel bags, tote bags, beach bags, beach tote bags, drawstring pouches, luggage, luggage tags, patio umbrellas, beach umbrellas, valises, attaché cases, billfolds, wallets, briefcases, canes, business card cases, book bags, all-purpose sports bags, golf umbrellas, gym bags, purses, coin purses, fanny packs, waist packs, cosmetic cases sold empty, garment bags for travel, handbags, key cases, suitcases, toiletry cases sold empty, trunks for traveling and rucksacks, foot lockers, pet clothing, pet leashes, and pet collars.

### **Class 20**

(6) Foot lockers; pillows and seat cushions; stadium seats and cushions; picture frames; hand-held mirrors; roller shades for windows with suction cups; magazine caddies; wall plaques made of wood, wall plaques made of plastic; soft sculpture wall decorations, namely decorative wall plaques, cloth wall coverings, fabric wall coverings, textile wall hangings; non-metal reusable bottle caps; non-metal clips for tablecloths; hard plastic bobble head figurines and plastic bobble cap statues; decorative mobiles; miniature stadium reproductions, namely, small plastic models of a stadium; chairs and stools; tables; folding sports seats and stools; bathroom furniture; dining room furniture; living room furniture; office furniture; outdoor furniture; patio furniture; children's bedroom furniture; bedroom furniture; clothes hangers and coat hangers; nonmetal trophy cups; bean bag chairs; non-metal coat racks; non-metal stands for holding and displaying various types of balls; dividers for drawers; snow globes; plastic pet identification tags, air mattresses; sleeping bags; wood boxes and ornamental pins; furniture chests; gift package decorations made of plastic, namely, gift bags sold empty, gift baskets sold empty, gift boxes, gift wrap, stickers and decorative ribbons made of plastic; plastic novelty license plates; plastic name badges; non-metal names plates.

#### **Class 21**

(7) Mugs, cups, shot glasses, plates, dishes, bowls, dinnerware, table glassware, picture frames, portable beverage coolers, cocktail shakers, and waste paper baskets; beverage glassware, beer mugs, bottles sold empty made of plastic and glass; paper and plastic cups, glasses, mugs, bowls, and plates; stirrers; jugs; decorative and commemorative plates; dinnerware and servingware for serving food; figurines made of china, crystal, earthenware, glass, porcelain and terra cotta; lunch boxes and pails; tankards not of precious metal; meal trays.

#### **Class 24**

(8) Bath towels, beach towels, cloth towels, hand towels, towels of textile, blankets, bed sheets, pillow cases, cloth pennants, curtains, pillow shams, cloth flags, plastic flags; comforters, and billiard cloths.

#### **Class 25**

(9) Clothing, namely hosiery, socks, T-shirts, shirts, polo shirts, sweatshirts, sweatpants, pants, tank tops, jerseys, shorts, pajamas, sport shirts, rugby shirts, sweaters, belts, bow ties and neck ties, nightshirts, hats, caps, visors, warm-up suits, warm-up pants, warm-up tops and shooting shirts, jackets, wind resistant jackets, parkas, coats, baby bibs not of paper, head bands, wrist bands, aprons, undergarments, boxer shorts, slacks, ear muffs, gloves, mittens, scarves, woven and knit shirts, jersey dresses, dresses, cheerleading dresses and uniforms, swim wear, bathing suits, swimsuits, bikinis, tankinis, swim trunks, bathing trunks, board shorts, wet suits, beach cover-ups, bathing suit cover-ups, bathing suit wraps, sandals, beach sandals, beach hats, sun visors, swim caps, bathing caps, novelty hats, caps and visors with attached wigs.

#### **Class 26**

(10) Hair bands, hair ties, and hair clips; cloth patches for clothing; novelty pins.

#### **Class 27**

(11) Floor mats for vehicles.

#### **Class 28**

(12) Sporting goods, namely basketballs, golf balls, play balls, sports balls, rubber action balls and foam action balls, plush play balls, plastic play balls, basketball nets, basketball backboards, miniature basketball backboards, pumps for inflating basketballs and needles therefore; golf clubs, golf bags, golf putters, golf accessories, namely, divot repair tools, tees, ball markers, golf bag

covers, club head covers, golf gloves, golf ball sleeves, golf putting greens; billiard cue racks, billiard balls, billiard ball racks, dart board cabinets, electronic basketball table top games, basketball table top games, basketball board games, action skill games, adult's and children's party games, trivia information games and electronic video arcade game machines, basketball kit comprised of a net and whistle, dolls, decorative dolls, collectible dolls, toy action figures, bobblehead action figures, plastic toy figurines; stuffed toys, plush toys, jigsaw puzzles, toy building blocks, Christmas tree ornaments and Christmas stockings; toy vehicles in the nature of cars, trucks, trains and vans, all containing basketball themes, novelty foam toys in the shapes of fingers and trophies, toy trophies, playing cards, card games, toy rattles, toy horns, toy sirens and toy whistles, pet toys; beach toys, namely, beach balls, inflatable balls, toy pails, toy shovels, sand toys, sand box toys, water-squirting toys; pool accessories, namely swim floats, pool floats, toy water rafts, foam floats, swim rings, pool rings, foam rings, body boards, surf boards, swim fins, surf fins, water wing swim aids, all for recreational use; volleyball game kits comprised of ball, net, sidelines and whistle, and water polo game kits comprised of ball, net and whistle; decorative cloth wind socks; miniature stadium reproductions, namely, small toy plastic models of a stadium; snow globes; video game machines for use with television and video game hand held controllers for use with console video gaming systems.

## **Services**

### **Class 35**

(1) Computerized on-line retail store, ordering, retail, electronic retailing, catalog and mail order catalog services for basketball-themed and basketball related consumer products; promoting the goods and services of others by allowing sponsors to affiliate their goods and services with a basketball team and league; promoting the sale of goods and services of others through the distribution of promotional contests provided over the internet; conducting public opinion poll surveys and public opinion poll surveys in the field of basketball for non-business, non-marketing purposes over the internet; providing access to interactive polling in the field of basketball over the internet.

### **Class 36**

(2) Charitable fund raising services.

### **Class 38**

(3) Audio broadcasting of radio programs by satellite; Internet radio broadcasting; cable television broadcasting; radio broadcasting; subscription television broadcasting; television broadcasting; video broadcasting of basketball games and digital recordings of basketball related content over the Internet; satellite television broadcasting; webcasting services in the nature of providing on-line chat rooms and online interactive chat rooms with guests for transmission of messages among computer users concerning the field of basketball; broadcasting radio programs, television programs and sports webcasts over the Internet, providing on-line electronic bulletin boards for transmission of messages among computer users concerning the field of basketball, providing multiple-user access to a global computer information network for the purpose of participating in interactive polling in the field of basketball; wireless communications services, namely, transmission of downloadable computer graphics to mobile phones; wireless electronic transmission of voice messages, facsimiles, text messages, television shows, music videos, news and sports webcasts, movies, music, photographs, digital images and information in the field of basketball over the Internet and via wireless and cellular networks; wireless broadband communications services, namely the broadband transmission of live broadcasts of basketball games and digital recordings of basketball-related radio and television programs; webcasting services in the nature of broadcasting basketball games, basketball events, basketball programs,

player interviews and press conferences in the field of basketball over the internet, subscription audio tape and video tape broadcasts in the field of basketball over the internet, audio tape broadcasting over the internet; video tape broadcasting over the internet, broadcasts of ongoing radio programs over the internet, broadcasting highlights of television, cable television and radio programs in the field of basketball over the internet.

#### **Class 41**

(4) Entertainment and educational services in the nature of ongoing television and radio programs in the field of basketball and rendering live basketball games and basketball exhibitions; the production and distribution of radio and television shows featuring basketball games, basketball events and programs in the field of basketball; conducting and arranging basketball clinics and camps, coaches clinics and camps, dance team clinics and camps and basketball games; entertainment services in the nature of personal appearances by a costumed mascot at basketball games and exhibitions; entertainment services in the nature of personal appearances by a dance team at basketball games and exhibitions; fan club services in the field of basketball; entertainment services, namely providing a website featuring multimedia material in the nature of television highlights, interactive television highlights, video recordings, video stream recordings, interactive video highlight selections, radio programs, radio highlights, and audio recordings in the field of basketball; providing news and information in the nature of statistics and trivia in the field of basketball; providing on-line non-downloadable games, namely, computer games, video games, interactive video games, action skill games, arcade games, adults' and children's party games, board games, puzzles, and trivia games; electronic publishing services, namely, publication of magazines, guides, newsletters, coloring books, and game schedules of others on-line through the Internet, all in the field of basketball; providing an online computer database in the field of basketball.

**Application Number** 1,783,233  
**Language of Application** English

**Filing Date** 2016-05-19

## APPLICANT AND AGENT DETAILS

### Applicant

Windsor Family Credit Union Limited  
3000 Marentette Avenue  
Windsor  
ONTARIO  
N8X4G2

### Agent

MOFFAT & CO.  
P.O. Box 2088, Station D, Ottawa, ONTARIO,  
K1P5W3

## TRADEMARK DETAILS

# WFCU CREDIT UNION

### Trademark Type

Standard Characters

### Services

#### Class 35

(1) Financial services, namely, payroll processing services; Consulting and advisory services related to payroll processing services

#### Class 36

(2) Banking services, including digital bank services; credit union services; financial services, namely, commercial real estate financing, processing of debit card payments, processing of credit card payments; financial services, including for small businesses, agricultural business, automobile financing and leasing services, deposit brokers, mortgage brokers and municipalities, universities, schools and hospitals, namely savings accounts, USD savings accounts and chequing accounts; provision of loans, including digital lending services, including personal loans, RRSP loans, automobile loans, conditional sales, consolidation loans, student loans, payday advance loans and lines of credit; provision of mortgages, including first mortgages, second mortgages, cashback mortgages, refinancing and renewals; wealth management and trust and estate planning services, including sale of mutual funds and registered retirement savings plans, management of trust funds, investment counseling, financial planning, estate planning, financial investment advice, estate advice, trust advice, retirement planning; investment services, including digital investment services, namely Guaranteed Investment Certificates (GICs), Registered Retirement Savings Plans (RRSPs), Registered Retirement Income Funds (RRIFs), Life Income Funds (LIFs), Registered Education Income Funds (REIFs), Tax Free Savings Accounts (TFSA), Canada and Ontario savings bonds and Registered Disability Savings Plans (RDSPs); insurance services, namely, the sale of loan and mortgage insurance; commercial services, namely merchant banking, arranging of lines of credit and operating lines, arranging term loans, arranging commercial loans and mortgages; currency services, namely foreign exchange; credit card services; debit card services; bill payment services; ATM banking and credit union services; automated telephone banking; electronic pre-authorized banking services; e-transfer banking services; live telephone banking; mobile banking, mobile banking services accessible by means of a downloadable mobile application; online banking services; banking and credit union services provided via call centre and retail locations; consulting and advisory services related to banking services, including digital

banking services, credit union services, financial services, namely, commercial real estate financing, processing of debit card payments, processing of credit card payments, financial services, including for small businesses, agricultural business, automobile financing and leasing services, deposit brokers, mortgage brokers and municipalities, universities, schools and hospitals, namely savings accounts, USD savings accounts and chequing accounts, provision of loans, including digital lending services, including personal loans, RRSP loans, automobile loans, conditional sales, consolidation loans, student loans, payday advance loans and lines of credit, provision of mortgages, including first mortgages, second mortgages, cashback mortgages, refinancing and renewals, wealth management and trust and estate planning services, including sale of mutual funds and registered retirement savings plans, management of trust funds, investment counseling, financial planning, estate planning, financial investment advice, estate advice, trust advice, retirement planning, investment services, including digital investment services, namely Guaranteed Investment Certificates (GICs), Registered Retirement Savings Plans (RRSPs), Registered Retirement Income Funds (RRIFs), Life Income Funds (LIFs), Registered Education Income Funds (REIFs), Tax Free Savings Accounts (TFSA), Canada and Ontario savings bonds and Registered Disability Savings Plans (RDSPs), insurance services, namely, the sale of loan and mortgage insurance, commercial services, namely merchant banking, arranging of lines of credit and operating lines, arranging term loans, arranging commercial loans and mortgages, currency services, namely foreign exchange, credit card services, debit card services, bill payment services, ATM banking and credit union services, automated telephone banking, electronic pre-authorized banking services, e-transfer banking services, live telephone banking, mobile banking, mobile banking services accessible by means of a downloadable mobile application, online banking services, banking and credit union services provided via call centre and retail locations

#### **Class 41**

(3) Provision of informational seminars, brochures and reports to customers regarding banking, credit union, investment, trust and insurance products and services; workshops and seminars in the field of banking literacy; consulting and advisory services related to provision of informational seminars, brochures and reports to customers regarding banking, credit union, investment, trust and insurance products and services; consulting and advisory services related to workshops and seminars in the field of banking literacy workshops and seminars in the field of banking literacy

**Application Number** 1,785,880  
**Language of Application** English

**Filing Date** 2016-06-07

## APPLICANT AND AGENT DETAILS

### Applicant

DIRECTFOOD LOGISTIC  
52 avenue du Canada  
35200 Rennes  
FRANCE

### Agent

GOWLING WLG (CANADA) LLP  
SUITE 2600, 160 ELGIN STREET, OTTAWA,  
ONTARIO, K1P1C3

## TRADEMARK DETAILS

### Trademark Type

Design

### Visual Representation



### Colour Claim

Colour is claimed as a feature of the trade-mark. The colours white, blue, red are claimed as features of the mark. The letters GOURM are in the colour blue and the letters ING are in the colour red. The lines forming the top part of the toque are in blue and the interior of the toque is in white and the line forming the bottom portion is in red.

### Goods

#### Class 16

Printed matter, namely, prospectuses, brochures, leaflets, pamphlets, information brochures, catalogs, directories, newspapers, periodicals, magazines [periodicals], magazines, newsletters.

### Services

#### Class 35

(1) business management assistance; commercial and industrial business management and organization consultancy; market surveys; export agencies; advisory and consultancy services in the field of export, export services, export promotion information and services; direct mail advertising of the goods and services of others; arranging and conducting trade show exhibitions in the field of French foods, French beverages and housewares and in the field of training and consulting with respect to the preparation of French food and to the sale of French food; computerized file management; consultancy and commercial advisory services in the field of strategic industrial planning and management projects related to the agri-food industry; business management consultancy as well as development of processes for the analysis and the implementation of industrial strategy plans and innovation management projects; provision of an on-line marketplace for buyers and sellers of goods and services; advertising by transmission of online publicity for third parties through electronic communications networks; Dissemination of advertising for others via an on-line communications network on the internet; business management in the field of transport and delivery



**Class 36**

(2) Credit card and payment card services via the global computer network; electronic bill payment; money wiring services, namely wire transfer of funds via the internet; Secure bill payment services provided through a website; electronic processing and transmission of bill payment data

**Class 38**

(3) Providing access to an interactive website in the field of French foods, French beverages and housewares and in the field of training and consulting with respect to the preparation of French food and to the sale of French food; providing access to a computer database in the field of French food and beverages and housewares and in the field of training and consulting with respect to the preparation of French food and to the sale of French food; providing multiple user access to a computer network; Providing electronic transmission of credit card transaction data and electronic payment data via a global computer network

**Class 39**

(4) Transportation of goods for others by air, rail, ships and trucks; packaging of articles for transportation; warehouse storage services; supply chain logistics and reverse logistics services consisting of the delivery, storage, and transportation of goods for others by air, rail, ships and trucks; delivery of goods by air, mail order, and courier

**Class 41**

(5) Translation

**Claims**

Priority Filing Date: April 18, 2016, Country or Office: FINLAND, Application No: 16/4265796 in association with the same kind of services (4); April 18, 2016, Country or Office: FRANCE, Application No: 16/4265796 in association with the same kind of goods and in association with the same kind of services (1), (2), (3), (5)

**Application Number** 1,785,882  
**Language of Application** English

**Filing Date** 2016-06-07

## APPLICANT AND AGENT DETAILS

**Applicant**  
DIRECTFOOD LOGISTIC  
52 avenue du Canada  
35200 Rennes  
FRANCE

**Agent**  
GOWLING WLG (CANADA) LLP  
SUITE 2600, 160 ELGIN STREET, OTTAWA,  
ONTARIO, K1P1C3

## TRADEMARK DETAILS

**Trademark Type**  
Design

### Visual Representation



### Colour Claim

Colour is claimed as a feature of the trade-mark. The colours white, blue, red are claimed as features of the mark. The lines forming the top part of the toque are in blue and the interior of the toque is in white and the line forming the bottom portion is in red.

### Goods

#### Class 16

Printed matter, namely, prospectuses, brochures, leaflets, pamphlets, information brochures, catalogs, directories, newspapers, periodicals, magazines [periodicals], magazines, newsletters

### Services

#### Class 35

(1) business management assistance; commercial and industrial business management and organization consultancy; market surveys; export agencies; advisory and consultancy services in the field of export, export services, export promotion information and services; direct mail advertising of the goods and services of others; arranging and conducting trade show exhibitions in the field of French foods, French beverages and housewares and in the field of training and

consulting with respect to the preparation of French food and to the sale of French food; computerized file management; consultancy and commercial advisory services in the field of strategic industrial planning and management projects related to the agri-food industry; business management consultancy as well as development of processes for the analysis and the implementation of industrial strategy plans and innovation management projects; provision of an on-line marketplace for buyers and sellers of goods and services; advertising by transmission of online publicity for third parties through electronic communications networks; Dissemination of advertising for others via an on-line communications network on the internet; business management in the field of transport and delivery

#### **Class 36**

(2) Credit card and payment card services via the global computer network; electronic bill payment; money wiring services, namely wire transfer of funds via the internet; Secure bill payment services provided through a website; electronic processing and transmission of bill payment data

#### **Class 38**

(3) Providing access to an interactive website in the field of French foods, French beverages and housewares and in the field of training and consulting with respect to the preparation of French food and to the sale of French food; providing access to a computer database in the field of French food and beverages and housewares and in the field of training and consulting with respect to the preparation of French food and to the sale of French food; providing multiple user access to a computer network; Providing electronic transmission of credit card transaction data and electronic payment data via a global computer network

#### **Class 39**

(4) Transportation of goods for others by air, rail, ships and trucks; packaging of articles for transportation; warehouse storage services; supply chain logistics and reverse logistics services consisting of the delivery, storage, and transportation of goods for others by air, rail, ships and trucks; delivery of goods by air, mail order, and courier

#### **Class 41**

(5) Translation

#### **Claims**

Priority Filing Date: April 18, 2016, Country or Office: FINLAND, Application No: 16/4265793 in association with the same kind of services (4); April 18, 2016, Country or Office: FRANCE, Application No: 16/4265793 in association with the same kind of goods and in association with the same kind of services (1), (2), (3), (5)

**Application Number** 1,786,414  
**Language of Application** English

**Filing Date** 2016-06-09

## APPLICANT AND AGENT DETAILS

### Applicant

LEPRINO FOODS COMPANY  
1830 West 38th Avenue  
Denver, CO 80211  
UNITED STATES OF AMERICA

### Agent

MCCARTHY TETRAULT LLP  
745 Thurlow Street, Suite 2400, VANCOUVER,  
BRITISH COLUMBIA, V6E0C5

## TRADEMARK DETAILS

### Trademark Type

Design

### Visual Representation



### Goods

#### Class 01

(1) dairy proteins; protein powder for use in the manufacture of food products; whey protein; whey protein isolate; lactose for use in the manufacture of foodstuffs; proteins for use in the manufacture of food products; all forms of whey for use in the manufacture of food products; dairy based protein for the food industry, namely, whey protein for the food industry, whey protein concentrate for the food industry, and whey protein isolate for the food industry all used in the manufacture of foodstuffs; dairy based casein and whey blends for the food industry used in the manufacture of foodstuffs

#### Class 05

(5) whey protein dietary supplements; dietary supplement in the form of a powder for increased energy; amino acids for nutritional purposes, namely amino acid dietary supplements; dietary and nutritional supplements containing dairy-based proteins; dietary supplement in the form of powders, tablets and capsules with amino acids; dietary and nutritional supplements for muscle health; dietary supplement drink mixes containing dairy-based proteins; nutritional supplements in the form of dairy-based protein powder; nutritional supplements in the form of nutrient-dense,

protein-based drink mix; nutraceuticals for use as a dietary supplement for general health and well-being; drink mixes containing dairy-based proteins for nutritional supplement purposes; dairy based dietary supplements, namely, whey protein dietary supplements, whey protein concentrate dietary supplements, whey protein isolate dietary supplements, and casein dietary supplements; dietary supplement in the form of a liquid for increased energy; dietary supplemental drinks containing dairy-based proteins; powdered fruit-flavored dietary supplement drink mix containing dairy-based proteins; vitamins; liquid vitamin supplements; liquid protein supplements for general health and well-being; nutritional supplements containing dairy-based proteins in the form of gummies, tablets, powders and gels; nutritional supplement beverages containing dairy-based proteins; delivery agents in the form of dissolvable strips that facilitate the delivery of dietary supplements; dietary and nutritional supplements containing dairy-based proteins in drop form, capsule form, pill form, liquid form

**Class 29**

(2) protein shakes

**Class 30**

(3) protein bars; high-protein cereal bars; whey chips; snack foods, namely, dairy-based protein-dense chips

**Class 32**

(4) concentrates and powders used in the preparation of energy drinks and fruit-flavored beverages; powders used in the preparation of fruit-based beverages; beverages made with whey protein isolate; dietary powders used in the preparation of isotonic sports drinks and sports beverages; syrups for making whey-based beverages

**Claims**

Priority Filing Date: December 10, 2015, Country or Office: UNITED STATES OF AMERICA, Application No: 86845297 in association with the same kind of goods (1), (2), (3), (4)

**Application Number** 1,794,256  
**Language of Application** English

**Filing Date** 2016-08-03

## APPLICANT AND AGENT DETAILS

### Applicant

CANADA SHAREJOY HEALTH ORGANIC  
FOOD INVESTMENT MANAGEMENT CO.,  
LTD.  
303-19100 Airport Way  
Pitt Meadows  
BRITISH COLUMBIA  
V3Y0E2

### Agent

YUNWEI (EDMUND) XIE  
301 - 4542 West 10th Avenue, Vancouver,  
BRITISH COLUMBIA, V6R2J1

## TRADEMARK DETAILS

### Trademark Type

Design

### Visual Representation



### Disclaimer

The right to the exclusive use of the 11 point maple leaf is disclaimed apart from the trademark.

### Goods

#### Class 05

(1) nutritional supplements for general health and well-being, herbal supplements for general health and well-being, vitamin supplements, mineral supplements, slimming drinks namely herbal drinks for weight loss or weight maintenance purposes

#### Class 29

(2) dried beans, fruit-based snack food, sunflower seeds, flaxseed for human consumption, flaxseed extracts for human consumption, rapeseed for human consumption, rapeseed extracts for human consumption, potato chips, dairy products, milk powder, roasted dried edible nuts

#### Class 30

(3) processed breakfast cereals, processed grains for eating used for breakfast cereals, breakfast cereals, processed maize, processed wheat, processed barley, processed sorghum, processed millet, processed oats, processed rye, processed buckwheat, processed quinoa, wheat flour for food, barley flour, rice, oatmeal, honey, maple syrup, cereal-based snack food, corn-based snack food, chocolate candies, chocolate bars, candy for food, energy bars, cookies and crackers, non-

alcoholic coffee-based beverages, non-alcoholic teabased beverages, herbal tea beverages, tortilla chips, corn chips

**Class 31**

(4) unprocessed cereals, unprocessed grains for eating, unprocessed maize, unprocessed wheat, unprocessed barley, unprocessed sorghum, unprocessed millet, unprocessed oats, unprocessed rye, unprocessed buckwheat, unprocessed quinoa, fresh edible nuts, soybeans

**Class 32**

(5) soft drinks, sports drinks, isotonic drinks, energy drinks, fruit juices, vegetable juices, non-alcoholic fruitbased beverages

**Application Number** 1,795,885  
**Language of Application** English

**Filing Date** 2016-08-15

## APPLICANT AND AGENT DETAILS

### Applicant

NATIONAL GEOGRAPHIC SOCIETY  
1145 17th Street, N.W.  
Washington, DC 20036  
UNITED STATES OF AMERICA

### Agent

MACERA & JARZYNA LLP  
P.O. Box 2088, Station D, Ottawa, ONTARIO,  
K1P5W3

## TRADEMARK DETAILS

# EXPLORER ACADEMY

### Trademark Type

Standard Characters

### Goods

#### Class 03

- (1) Eyewear cleaning kits comprised of cleaning fluid
- (2) Children's play cosmetics

#### Class 08

- (3) Hand-operated plywood and wood pressers for flowers and leaves

#### Class 09

(4) Eyewear namely, sunglasses, eyeglasses and ophthalmic frames and cases therefor; eyewear chains; eyewear accessories, namely, straps, neck cords and head straps which restrain eyewear from movement on a wearer; optical devices, namely, eye pieces for helmet mounted displays; protective eye pieces; magnifying glasses; opera glasses; optical glasses; graduated rulers; measuring rulers; tape rulers; folding rulers; wall-mounted rulers for measuring a person's height; video and computer games; computer games software for use on wireless and mobile devices namely smartphones, mobile phones, personal digital assistants, personal computers, namely, desktop computers, laptops, netbooks, tablets and video game consoles, namely handheld video consoles for playing computer games; downloadable computer game programs for use on wireless and mobile devices namely smartphones, mobile phones, personal digital assistants and personal computers, namely, desktop computers, laptops, netbooks, tablets and video game consoles, namely handheld consoles for playing computer games; decorative magnets; computer software, namely, downloadable digital publications in the nature of maps, atlases, books, magazines and guides in the fields of travel, adventure, exploration, entertainment, culture, geography, science, natural science, social sciences, nature, and wildlife, and related digital media for use therewith, namely, downloadable music, videos namely music programs, television programs and films, movies, television programs and photographs featuring natural sciences, history, travel and geography topics; downloadable electronic publications in the nature of e-books in the fields of travel, adventure, exploration, entertainment, culture, geography, science, natural science, social sciences, nature, and wildlife; pre-recorded data carriers, namely, records discs and tapes, namely CDs, CD-ROMs, audio cassettes, DVDs, CD-ROMs, tape cartridges and computer game cartridges, digital audio and video compression software files, all featuring topics on travel,



adventure, exploration, entertainment, namely, music, television programs and films, culture, geography, science, natural science, social sciences, nature, and wildlife; downloadable music, graphics, games, images, namely photographs and videos, namely television programs and films and videos namely music programs, television programs and films featuring topics on travel, adventure, exploration, entertainment, culture, geography, science, natural science, social sciences, nature, and wildlife via wireless communication devices; downloadable mobile applications that allow users to view and use content in the nature of still and animated wallpapers, ring tones, screen savers, games and audio-visual programs featuring topics on travel, adventure, exploration, entertainment, culture, geography, science, natural science, social sciences, nature, and wildlife, all for mobile devices

(5) Charge cards, not magnetically encoded; credit cards, not magnetically encoded; debit cards, not magnetically encoded; binders for CDs

#### **Class 14**

(6) Toys, namely, children's dress-up accessories consisting of tiaras

#### **Class 16**

(7) Stationery namely, notebooks, notepads, note cards, markers, pens, pencils, pen and pencil cases and boxes, postcards, trading cards and accessories therefor, namely, pencil sharpeners, tape dispensers, letter openers, desk packs; stickers; sticker books; paper identification tags; paper place mats; binders namely ring binders, stationary binders; drawing rulers; ungraduated rulers; books and newsletters featuring topics in the fields of science, natural history, history, geography, archeology, ecology, biology, astronomy, geology, economy, meteorology, active sports, exploration, adventure, travel, and social studies; globes namely geographical and map globes; art prints; photographic prints; address books; address labels; photograph albums; scrapbook albums; autograph albums; stamp albums; coin albums; book covers; book marks; bookends; date books; appointment books; day planners; event and engagement planners; diaries; blank journals; announcement cards; holiday cards; invitation cards; post cards; envelopes; paper gift bags; non-magnetically encoded gift cards; paper gift tags; gift wrapping paper; cardboard gift boxes; paper banners; paper door knob hangers; erasers; exercise books; writing paper; paper display boxes; rubber stamps; checks; check book covers; desk top blotters; desk file trays and trays for pens, pencils and stationery; desk top holders for pens and pencils; desk top card files; desk top envelope holders; desk top paper holders; desk baskets for desk accessories; desk top stationery cabinets; correspondence holders; desk sets; paperweights; flash cards; modeling clay; chalk; crayons; scrapbook kits comprising stickers, scrapbooks and scrapbook inset pages used for preserving documents and photographs sold as a unit; arts and crafts painting kits; painting sets for children; prepaid telephone calling cards on paper; drink coasters made of paper; scented drawer liners; facial tissue; greeting cards; posters; printed puzzles, namely crossword puzzles; mounted maps, mounted prints, namely framed art and graphic prints, calendars

#### **Class 18**

(8) Toys, namely, children's dress-up accessories consisting of handbags

#### **Class 20**

(9) Bean bags; craft and activity sets for decorative use comprised of glitter

(10) Desk drawer organizers; prepaid telephone calling cards on plastic

#### **Class 21**

(11) Eyewear cleaning kits comprised of a cleaning cloth

**Class 22**

(12) Craft and activity sets comprised of string; craft and activity sets, comprised of plastic string

**Class 23**

(13) Craft and activity sets comprised of yarn

**Class 25**

(14) Toys, namely, children's dress-up accessories consisting of dresses, skirts, shirts, hats, headbands, pants, vests

**Class 26**

(15) Craft and activity sets comprised of toy beads

**Class 28**

(16) Action skill games; action figures and accessories therefor; children's multiple activity toys; badminton sets; balloons namely party and toy balloons; basketballs; bath toys; baseballs; beach balls; rubber balls; plastic balls; tennis balls; golf balls; bowling balls; soccer balls; bean bag dolls; toy building blocks; bubble making wands and solution sets; chess sets; Christmas stockings; Christmas tree decorations; collectable toy figures; crib mobiles; crib toys; disc toss toys; dolls; doll clothing; doll accessories; doll playsets; electric action toys; equipment sold as a unit for playing card games; fishing tackle; golf gloves; golf ball markers; hand held unit for playing electronic games; hockey pucks; inflatable toys; jigsaw puzzles; cube puzzles; maze puzzles; shape puzzles; animal puzzles; map puzzles; jump ropes; kites; playing cards, and coins, for magic tricks; marbles; manipulative games; mechanical toys; music box toys; musical toys; toy musical instruments; parlor games; party favors in the nature of small toys and toy beads; party games; playing cards; plush toys; puppets; roller skates; skateboards; spinning tops; squeeze toys; stuffed toys; table tennis tables; target games; teddy bears; toy action figures; toy bucket and shovel sets; toy mobiles; toy vehicles; toy scooters; toy cars; craft kits for toy models of cars, trucks, semis, helicopters, airplanes, boats, tanks, trains and doll houses; toy figures; toy banks; toy trucks; toy watches; wind-up toys; returning top; stand-alone video game machines, stand-alone audio output game machines; children's learning developmental toys; toy vehicles and electronically operated toy vehicles; dress-up and role playing games; inflatable pool toys; water squirting and sand toys; children's activity tables containing manipulative toys which convert to easels; educational play toys, namely, multiple activity toys; bendable toys; habitation toys in the nature of play teepees, play tents and play cabins; children's bath toys; toys, namely, children's dress-up accessories consisting of toy helmets; toy gardening sets; scientific toys, namely, measuring toys; outdoor adventure toys, namely, toy shovels, toy tools and toy compasses; articulated and non-articulated toy animal figures; articulated and non-articulated toy figurines in the shape of people; toy microscopes; toy telescopes; toy binoculars; playthings in the form of archaeological and paleontological 'dig' kits consisting of a block of sand containing a disassembled animal skeleton or building permitting the child to unearth the pieces and assemble them; playthings in the form of Egyptian pottery wheel kit consisting of a pottery wheel, clay to make a pot and paints for the pot when made; playthings in the form of build your own mountain kit consisting of plaster, a mountain mold and art supplies to decorate the mountain; playthings in the form of build your own glider kit, consisting of wooden and plastic pieces to build a glider, with art supplies to decorate the glider; bath toys; water toys, namely, pool toys; board games; card games; playthings in the form of educational fossil collection and dinosaur excavation kits; soft sculpture plush toys; toy water globes; toy snow globes

(17) Trivia cards for games; jigsaw puzzles, mosaic puzzles and manipulative puzzles

**Services****Class 38**

(1) Providing online non-downloadable non-fiction content, namely, webcasts, in the fields of adventure, exploration, travel, people and culture, geography, cartography, science, natural science, nature, wildlife, ecology, social studies, history, natural history, archeology, astronomy, geology, anthropology, zoology, botany, and the environment, and for the promotion of greater knowledge and understanding of geography and of the world

(2) Providing webcasts via the Internet featuring motion pictures, films and television programs featuring animation, live action, non-fiction content, news and stories, music, comedy and drama

**Class 41**

(3) Entertainment services, namely, arranging and conducting special events to promote current and coming attractions at an amusement park, nature park or zoological park, namely, children's parties, musical performances, film festivals and theatre performances; entertainment services in the nature of a themed area of an amusement park; entertainment services in the nature of a themed area of a nature park; entertainment services in the nature of a themed area of a zoological park; educational and entertainment services rendered in or relating to theme parks, nature parks and zoological parks, namely, live stage shows, live amusement park shows, and presentation of live theatrical performances; entertainment services in the nature of an amusement park, nature park and zoological park show; entertainment services, namely, arranging and conducting special events to promote current and coming attractions at an amusement park, nature park and zoological park, namely theatrical performances, live amusement park shows and presentation of live theatrical shows relating to exploration, geography, natural history, wildlife, nature and environmental topics; provision of information relating to amusement park, nature park and zoological park shows; entertainment in the nature of an amusement park ride; entertainment in the nature of an amusement park attraction; provision of entertainment information relating to amusement park rides and attractions; family entertainment centers, namely, providing play areas, interactive exhibits, interactive activities for children, virtual reality experiences, amusement park rides, and amusement arcades; children's entertainment and amusement centers, namely, interactive play areas; learning activity centers in the nature of providing instruction, activities and tutoring in the fields of language learning; entertainment services, namely, development, production, and presentation of theatrical performances for a general audience; development, production and presentation of multimedia theatrical performances; provision of entertainment information relating to theatrical performances; provision of entertainment information relating to multimedia theatrical performances; motion picture theaters; museum services; traveling museum services; online museum services; educational and entertainment services, namely, providing exhibits on the subjects of adventure, exploration, travel, people and culture, geography, cartography, science, natural science, nature, wildlife, ecology, social studies, history, natural history, archeology, astronomy, geology, anthropology, zoology, botany, and the environment, and for the promotion of greater knowledge and understanding of geography and of the world; educational services, namely, workshops, lectures, classes, seminars, symposiums and conferences on the subjects of adventure, exploration, travel, people and culture, geography, cartography, science, natural science, nature, wildlife, ecology, social studies, history, natural history, archeology, astronomy, geology, anthropology, zoology, botany, and the environment, and for the promotion of greater knowledge and understanding of geography and of the world; providing online games; provision of current event news via a website; entertainment services, namely, production, distribution and exhibition of motion picture films; entertainment services, namely, theatrical exhibition of motion picture films and movies; providing online non-

downloadable non-fiction content, namely, videos namely music programs, television programs and films in the fields of adventure, exploration, travel, people and culture, geography, cartography, science, natural science, nature, wildlife, ecology, social studies, history, natural history, archeology, astronomy, geology, anthropology, zoology, botany, and the environment, and for the promotion of greater knowledge and understanding of geography and of the world; provision of, namely providing online non-downloadable video and computer game software; providing online non-downloadable educational lesson plans, classes, photographs, videos namely music programs, television programs and films and webcasts, all of the foregoing on the subjects of people and culture, geography, cartography, science, natural science, nature, wildlife, ecology, social studies, history, natural history, archeology, astronomy, geology, anthropology, zoology, botany, and the environment, and for the promotion of greater knowledge and understanding of geography and of the world

(4) Entertainment services, namely arranging and conducting special events relating to adventure, exploration, geography, natural history, wildlife, nature and environment topics, at an amusement park, nature park and zoological park; educational services, namely, providing online non-downloadable non-fiction content, namely, television programs in the fields of adventure, exploration, travel, people and culture, geography, cartography, science, natural science, nature, wildlife, ecology, social studies, history, natural history, archeology, astronomy, geology, anthropology, zoology, botany, and the environment, and for the promotion of greater knowledge and understanding of geography and of the world; production and distribution of television programs; providing ongoing television programs in the fields of adventure, exploration, travel, people and culture, geography, cartography, science, natural science, nature, wildlife, ecology, social studies, history, natural history, archeology, astronomy, geology, anthropology, zoology, botany, and the environment, and for the promotion of greater knowledge and understanding of geography and of the world; providing videos via the Internet featuring motion pictures, films and television programs featuring animation, live action, non-fiction content, news and stories, music, comedy and drama

#### **Class 42**

(5) Production of video and computer game software

#### **Claims**

Priority Filing Date: May 06, 2016, Country or Office: UNITED STATES OF AMERICA, Application No: 87/027,928 in association with the same kind of goods (2), (3), (6), (8), (9), (12), (13), (14), (15), (16); May 06, 2016, Country or Office: UNITED STATES OF AMERICA, Application No: 87/027,932 in association with the same kind of services (1), (3), (5); May 06, 2016, Country or Office: UNITED STATES OF AMERICA, Application No: 87/027,931 in association with the same kind of goods (1), (4), (11); May 06, 2016, Country or Office: UNITED STATES OF AMERICA, Application No: 87/027,930 in association with the same kind of goods (5), (7), (10), (17)

**Application Number** 1,798,902  
**Language of Application** English

**Filing Date** 2016-09-06

## APPLICANT AND AGENT DETAILS

### Applicant

DIAMOND CARD CORPORATION  
102-1601 Jubilee Avenue  
Victoria  
BRITISH COLUMBIA  
V8R4N4

### Agent

THOMPSON COOPER LLP  
Suite 405 - 3960 Quadra Street, Victoria,  
BRITISH COLUMBIA, V8X4A3

## TRADEMARK DETAILS

# DIAMOND DOLLAR

### Trademark Type

Standard Characters

### Authorisation For Use

Consent from ONTARIO LOTTERY CORPORATION is of record.

### Services

#### Class 36

Insurance services, namely, travel insurance; financial services, namely, providing a wide range of information and analysis to financial institutions by electronic means in connection with credit, debit, stored value and other payment cards, specifically, cardholder spending, fraud, risk management, terminated merchants, reporting of chargebacks, retrievals and exceptions; financial planning and investment advisory services via a global computer network; credit services, namely, credit agencies, business card verification services, credit and loan services; charge card and credit card services, credit and debit card services, payment card services; financial services, namely, payment of bills; automated teller machine services; payment processing of cardholder financial credit, debit, purchasing, stored value, and prepaid card transactions both online via a computer database or through telecommunications and at points of sale; payment processing services for financial transactions carried out by cardholders through automated teller machines; provision of financial account details, namely, cash balances, deposits and withdrawals to cardholders through automatic teller machines; financial settlement and authorisation services, namely, the settling of international and commercial financial transactions through obtaining the proceeds of a sale in cash in exchange for formal debt instructions; financial account settlement services, namely, the settling of international and commercial transactions through obtaining the proceeds of a sale in cash or in exchange for formal debt instructions; electronic funds transfer and foreign exchange services; providing financial information, namely, financial analysis, financial research, financial appraisals, financial credit scoring services, over the internet and other computer networks; financial services for facilitating the use of electronic payments, namely, electronic processing and transmission of electronic wallets; financial transaction services, namely, providing secure commercial transactions and payment options; foreign currency transfers; electronic payment services, namely, electronic processing and transmission of bill payment data; cardholder financial authorisation and debt settlement services; offer of debit and credit transaction services by means of radio frequency identification devices, namely, mobile smart phones,

portable mobile debit machines, automatic teller machines (ATMs) and mini-ATMs, and transponders; provision of debit and credit transaction services by means of ATM's and mobile applications; cheque verification services; travelers cheque and travelers voucher issuance and redemption services; provision of financial support services, namely, bill payment services to retail services provided online, via networks and electronic media using electronically digitized data; services for exchanging securities, namely, the secure exchange of securities, namely, payment in electronic cash via computer networks accessible by smart cards; investment services, namely, the services of insurance and assurance agencies, insurance and assurance brokerages, insurance, investment management, capital investment, financial investment brokerage, real estate agencies, real estate development agencies and business management services, all of the foregoing excluding wares and services relating to gaming and lotteries.

**Application Number** 1,801,861  
**Language of Application** French

**Filing Date** 2016-09-23

## APPLICANT AND AGENT DETAILS

### Applicant

Bolloré, Société anonyme  
Odet 29500  
Ergue-Gaberic  
FRANCE

### Agent

LAVERY, DE BILLY, LLP  
1 Place Ville Marie, Suite 4000, Montréal,  
QUÉBEC, H3B4M4

## TRADEMARK DETAILS

### Trademark Type

Design

### Visual Representation



### Colour Claim

Colour is claimed as a feature of the trademark. All the trademark elements are blue.

### Goods

#### Class 04

(1) Petroleum; motor spirit; non-chemical additives for fuels and lubricants.

#### Class 09

(2) Logistics management software in the fields of transport and freight, namely software for inventory tracking management and cargo handling, delivery, identification and tracking; telephones, mobile telephones; personal data assistants (computers), computers, portable computers, MP3 players; electronic chips; chip readers, namely smart card readers; computer terminals; identification microprocessors; electronic and digital media for recording data, namely computer databases containing information in the field of transport and recorded on computer media; electronic geolocation apparatus, namely global positioning system (GPS) receivers and transmitters.

(3) Cables, namely electrical cables; data processing equipment, namely digital signal processors, and computers; software and software packages, namely delivery tracking software and inventory management software in the field of logistics, namely software for tracking documents, parcels and freight, computer software for displaying orders and driver locations on maps, network access server operating software, database management software.

### Services

#### Class 35

(1) Industrial and commercial business assistance related to transport logistics, namely business management assistance provided to industrial and commercial companies in relation to transport logistics; wholesale and retail of fuels, motor spirit, non-chemical additives for fuels and lubricants, and electricity.

(2) Administrative management of cargo transport (administrative and customs authorizations); import-export agencies; consulting, information related to transport logistics for all cargo and goods, namely consulting related to business management and management information related to transport logistics for all cargo and goods; assistance with administrative procedures for international and domestic cargo transport; commercial promotion services in the field of transport, namely commercial promotion services for the sale of services through a customer loyalty program in the field of transport; consulting related to market strategy in the field of logistics and to management in the field of logistics.

### **Class 36**

(3) Customs agency service; customs agent service.

### **Class 39**

(4) Container rental; vehicle rental; moving services; port operator services, namely management of maritime port traffic and the loading and unloading of goods, in the context of a concession; port area cargo handling; distribution, namely delivery, transport, storage of fuels, motor spirit, gas oil, oils, greases, lubricants, non-chemical additives for fuels and lubricants, and electricity.

(5) Transport services, namely transport of people, passengers, travellers, luggage, goods, cargo and parcels, by boat, bus, train, airplane and truck; cargo and goods packaging services, namely packaging of goods for transport; warehousing of goods for others; organization of the transport of cargo and goods by sea, river, air, land; transport of cargo and goods by sea, rail, road, air; cargo transport management and consulting services; sea-, air- and land-based transit services for cargo and goods, namely warehousing and storage services; chartering services; storage of cargo containers; container unloading and loading services; container transport management terminal services in port areas; rental of warehouses; warehousing, goods shipping and delivery services, namely freight forwarding services, delivery of goods by air, delivery of goods by boat, train and truck, parcel and mail delivery; delivery tracking services; information services related to the transport, storage and delivery of goods, namely provision of information related to goods transport services by boat, train, airplane and truck, related to the packaging of goods for transport and related to warehousing and storage services; freight forwarder services; ship brokerage services, freight brokerage, transport brokerage; express distribution and delivery of mail, parcels; unloading services for any of the goods of others; maritime transport agency services; transport of the machines and accessories required for oil extraction and mining; packaging and repackaging of any goods for others, namely packaging of goods.

### **Class 40**

(6) Professional consulting related to the generation of electricity; information about the generation of solar electricity and renewable energy.

(7) Generation of electricity.

### **Class 42**

(8) Expertise and engineering work, namely engineering, construction, operation and maintenance services related to railway systems, port infrastructure, road infrastructure; design and development of electronic apparatus for tracking goods in transit, namely bar code readers and electronic RFID tag readers for goods; material testing; information in the field of research and development for electrical, solar, hydraulic, geothermal and thermal energy; creation, design and



development of computer programs for others; research and development of new products for the benefit of others; engineering work, namely civil engineering in the fields of transport, freight logistics and traceability, namely tracking of the origin and movement of goods from production to distribution; technical control and expertise, namely engineering work, namely construction supervision, technical consulting and expertise in the field of transport logistics; research and development services in the fields of electrical engineering and the generation of electrical, solar, hydraulic, geothermal and thermal energy.

(9) Industrial research and analysis services in the fields of logistics and transport; quality control and auditing in the fields of transport logistics and transport; design, development, management and updating (maintenance) of software and software packages in the fields of logistics and transport; software package and software installation; consulting related to software packages and software; computer programming; design, development, management and updating (maintenance) of software and software packages; technical assessments and estimates related to energy consumption.

**Application Number** 1,802,085  
**Language of Application** French

**Filing Date** 2016-09-26

## APPLICANT AND AGENT DETAILS

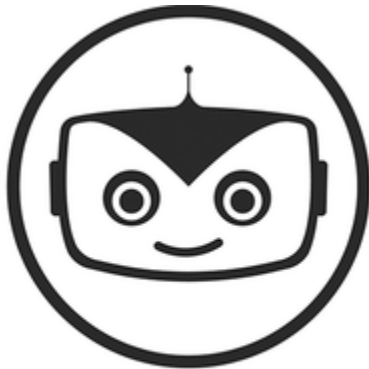
**Applicant**  
CYBER GÉNÉRATION  
330-3115 Boul De La Pinière  
Terrebonne  
QUÉBEC  
J6X4P7

**Agent**  
ROBIC  
630, boul. René-Lévesque Ouest, 20e étage,  
Montréal, QUÉBEC, H3B1S6

## TRADEMARK DETAILS

**Trademark Type**  
Design

**Visual Representation**



cyberimpact

**Goods**

**Class 09**

Smart tool for disseminating and analyzing email communications for promotional purposes, namely computer software for creating email templates, optimizing email address lists, and managing subscriptions to and subscription removals from email communications.

**Application Number** 1,803,380  
**Language of Application** English

**Filing Date** 2016-10-05

## APPLICANT AND AGENT DETAILS

### Applicant

9486763 Canada Inc.  
79 Wellington St. West  
Suite 3000  
Toronto  
ONTARIO  
M5K1N2

### Agent

TORYS LLP  
SUITE 3000, 79 WELLINGTON ST. W., BOX  
270, TD CENTRE, TORONTO, ONTARIO,  
M5K1N2

## TRADEMARK DETAILS

### Trademark Type

Design

### Visual Representation



### Goods

#### Class 03

(1) Moisturizing skin salves, moisturizing skin balms, body lotions, moisturizing body sprays, moisturizing skin ointments for personal care; oils, skin moisturizers and lotions, namely body oils, essential oils for aromatherapy, skin moisturizing creams, moisturizing skin balms, moisturizing skin salves, body lotions, moisturizing body sprays and moisturizing skin ointments, all containing cannabis derivatives, namely cannabinoids or terpenes derived from the cannabis plant.

#### Class 05

(2) Skin care preparations infused with medical cannabis for the temporary relief of seizures, nausea caused by chemotherapy, nerve pain, and muscle spasms; Medical marijuana and cannabis for temporary relief of seizures, for the treatment and relief of nausea caused by chemotherapy, muscle spasms caused by multiple sclerosis, nerve pain, stress, loss of appetite, anxiety, stress, fatigue, pain, nausea, vomiting, muscle tension, muscle spasms, tension, epilepsy, glaucoma, multiple sclerosis, arthritis, Parkinson's disease, cancer, gastrointestinal illness, spinal cord injury, anxiety, bi-polar disorder, depression, insomnia, autoimmune disorders, to provide mood enhancement and an improved sense of well-being; herbal and dietary supplements and herbal tinctures and herbal tonics containing cannabis plant derivatives for promoting general health and well-being and the relief of pain.

#### Class 21

(3) Dry bud storage containers, namely thermal insulated containers for dry buds of marijuana

#### Class 29

(4) Jams; edible oils; butter; edible butters containing cannabis derivatives, namely cannabinoids or terpenes derived from the cannabis plant.

**Class 30**

(5) Baked goods, namely cereal bars, energy bars, biscuits, brownies and cookies containing cannabis; candies containing cannabis; teas containing cannabinoids or terpenes derived from the cannabis plant; tonic herbal tea beverages containing cannabis derivatives, namely cannabinoids or terpenes derived from the cannabis plant; food products containing cannabis derivatives, namely cannabinoids or terpenes derived from the cannabis plant, namely chocolate, chocolates, chocolate confectionery, sugar confectionery, candies, cereal bars, energy bars, biscuits, brownies and cookies.

**Class 31**

(6) Live cannabis plants; cannabis plant seeds.

**Class 32**

(7) Non-alcoholic beverages, namely non-alcoholic fruit beverages, non-alcoholic vegetable juice beverages, carbonated waters, carbonated soft drinks, coffees and teas infused with cannabis derivatives, namely cannabinoids or terpenes derived from the cannabis plant.

**Class 34**

(8) Herbs for smoking; smoking products and accessories, namely, smoking pipes, electronic smoking pipes, water pipes, vaporizers, grinders, scales, lighters, ashtrays, cigarette rolling papers; oils, namely oral vaporizing oils for smoking containing cannabis derivatives, namely cannabinoids or terpenes derived from the cannabis plant; hashes and waxes for smoking containing cannabis derivatives, namely cannabinoids or terpenes derived from the cannabis plant; Dry bud grinders; dried cannabis

**Services****Class 35**

(1) Retail sale of medical cannabis and marijuana paraphernalia, namely smoking pipes, water pipes for smoking, pipe filters, hookahs, grinders for dried herbs, cigarette filters, protective cigarette containers, rolling papers, vaporizers, vaporizing pens, lighters, storage containers and humidors; Online retail sales of medical cannabis and marijuana paraphernalia, namely smoking pipes, water pipes for smoking, pipe filters, hookahs, grinders for dried herbs, cigarette filters, protective cigarette containers, rolling papers, vaporizers, vaporizing pens, lighters, storage containers and humidors.

**Class 44**

(2) Providing information about medical cannabis via a website; Consulting services in the field of medical cannabis and medical marijuana

**Application Number** 1,803,382  
**Language of Application** English

**Filing Date** 2016-10-05

## APPLICANT AND AGENT DETAILS

### Applicant

9486763 Canada Inc.  
79 Wellington St. West  
Suite 3000  
Toronto  
ONTARIO  
M5K1N2

### Agent

TORYS LLP  
SUITE 3000, 79 WELLINGTON ST. W., BOX  
270, TD CENTRE, TORONTO, ONTARIO,  
M5K1N2

## TRADEMARK DETAILS

### Trademark Type

Design

### Visual Representation



### Colour Claim

Colour is claimed as a feature of the trade-mark. The word 'benviva' is steel blue. The leaf design above the word 'benviva' is green.

### Goods

#### Class 03

(1) Moisturizing skin salves, moisturizing skin balms, body lotions, moisturizing body sprays, moisturizing skin ointments for personal care; oils, skin moisturizers and lotions, namely body oils, essential oils for aromatherapy, skin moisturizing creams, moisturizing skin balms, moisturizing skin salves, body lotions, moisturizing body sprays and moisturizing skin ointments, all containing cannabis derivatives, namely cannabinoids or terpenes derived from the cannabis plant.

#### Class 05

(2) Skin care preparations infused with medical cannabis for the temporary relief of seizures, nausea caused by chemotherapy, nerve pain, and muscle spasms; Medical marijuana and cannabis for temporary relief of seizures, for the treatment and relief of nausea caused by chemotherapy, muscle spasms caused by multiple sclerosis, nerve pain, stress, loss of appetite, anxiety, stress, fatigue, pain, nausea, vomiting, muscle tension, muscle spasms, tension, epilepsy, glaucoma, multiple sclerosis, arthritis, Parkinson's disease, cancer, gastrointestinal illness, spinal cord injury, anxiety, bi-polar disorder, depression, insomnia, autoimmune disorders, to provide mood enhancement and an improved sense of well-being; herbal and dietary supplements and herbal tinctures and herbal tonics containing cannabis plant derivatives for promoting general health and well-being and the relief of pain.

#### Class 21

(3) Dry bud storage containers, namely thermal insulated containers for dry buds of marijuana

**Class 29**

(4) Jams; edible oils; butter; edible butters containing cannabis derivatives, namely cannabinoids or terpenes derived from the cannabis plant.

**Class 30**

(5) Baked goods, namely cereal bars, energy bars, biscuits, brownies and cookies containing cannabis; candies containing cannabis; teas containing cannabinoids or terpenes derived from the cannabis plant; tonic herbal tea beverages containing cannabis derivatives, namely cannabinoids or terpenes derived from the cannabis plant; food products containing cannabis derivatives, namely cannabinoids or terpenes derived from the cannabis plant, namely chocolate, chocolates, chocolate confectionery, sugar confectionery, candies, cereal bars, energy bars, biscuits, brownies and cookies.

**Class 31**

(6) Live cannabis plants; cannabis plant seeds.

**Class 32**

(7) Non-alcoholic beverages, namely non-alcoholic fruit beverages, non-alcoholic vegetable juice beverages, carbonated waters, carbonated soft drinks, coffees and teas infused with cannabis derivatives, namely cannabinoids or terpenes derived from the cannabis plant.

**Class 34**

(8) Herbs for smoking; smoking products and accessories, namely, smoking pipes, electronic smoking pipes, water pipes, vaporizers, grinders, scales, lighters, ashtrays, cigarette rolling papers; oils, namely oral vaporizing oils for smoking containing cannabis derivatives, namely cannabinoids or terpenes derived from the cannabis plant; hashes and waxes for smoking containing cannabis derivatives, namely cannabinoids or terpenes derived from the cannabis plant; Dry bud grinders; dried cannabis

**Services**

**Class 35**

(1) Retail sale of medical cannabis and marijuana paraphernalia, namely smoking pipes, water pipes for smoking, pipe filters, hookahs, grinders for dried herbs, cigarette filters, protective cigarette containers, rolling papers, vaporizers, vaporizing pens, lighters, storage containers and humidors; Online retail sales of medical cannabis and marijuana paraphernalia, namely smoking pipes, water pipes for smoking, pipe filters, hookahs, grinders for dried herbs, cigarette filters, protective cigarette containers, rolling papers, vaporizers, vaporizing pens, lighters, storage containers and humidors.

**Class 44**

(2) Providing information about medical cannabis via a website; Consulting services in the field of medical cannabis and medical marijuana

**Application Number** 1,804,569  
**Language of Application** English

**Filing Date** 2016-10-13

## APPLICANT AND AGENT DETAILS

### Applicant

Leica Biosystems Nussloch GmbH  
Heidelberger Strasse 17-19  
Nussloch 69226  
GERMANY

### Agent

GOWLING WLG (CANADA) LLP  
SUITE 2600, 160 ELGIN STREET, OTTAWA,  
ONTARIO, K1P1C3

## TRADEMARK DETAILS

# BEGINNING TO END

### Trademark Type

Word

### Goods

#### Class 01

(1) Chemicals for use laboratory use for diagnostic and scientific research, namely diagnostic chemical preparations for scientific or research use; chemicals for use in histological and cytological tissue processing, namely fixative and dehydrant chemical laboratory and non-medicinal reagents; reagents for use in genetic research; products, namely diagnostic preparations containing antibodies for scientific or laboratory use none of the foregoing being for medical or veterinary use; histology and cytology reagents and stains for preparation of pathology tissue specimens for research purposes

#### Class 05

(2) Histology and cytology reagents and stains for preparation of pathology tissue specimens for medical, diagnostic or veterinary purposes; pharmaceutical preparations namely histological and cytological tissue processing applications and antibodies for the treatment of cancer and medical preparations in the nature of epitope retrieval solutions; digestive enzymes and enzyme preparations for medical and diagnostic purposes; diagnostic histological dye and stain solutions namely double, triple, multiple immuno-histochemical staining; situ hybridisation application of multiple antibodies probes staining procedure applied to a tissue section provided in IHC staining for medical purposes, namely medical diagnostic reagents; diagnostic kits for processing, embedding and staining histological tissues consisting primarily of monoclonal or polyclonal antibodies

#### Class 09

(3) Scientific apparatus and equipment, namely computer laboratory workstations and associated computer software used for protein, nucleic acid immunoassay analysis in the fields of in-vitro diagnostics and biomedical diagnosis; computer operated automation systems comprised of computer hardware and operating software for laboratory instruments; laboratory instruments for specimen preparation; automated immunostainers for laboratory use; laboratory equipment for use in specimen preparation, namely, tissue processors; haematology slide makers and stainers for placing a barrier on a slide for use in scientific research; clinical chemistry instruments for laboratory use, namely, clinical chemistry analyzers; random access clinical chemistry analysers

for the analysis of biological samples for scientific research purposes; immunoassay clinical analysers; histopathology instruments, tissue processors and haematology instruments used in scientific research for processing biological samples; laboratory devices for histology and cytology, namely coverslipping machines for slides, tissue infiltration apparatus, tissue embedding machines, staining machines, staining machines with immunological responses; tissue processors for processing biological samples for laboratory use; multiwell plates for use in chemical analysis and laboratory or medical research use; cryostats and cryomacrotomes; automatic slide scanners; laboratory equipment and supplies for collecting, preparing, holding and filing of histological and cytological specimens for microscopic, magnetic resonance, tomosynthesis, ultra-sound x-ray examination, namely, sample containers, specimen containers, sample cassettes, biopsy cassettes; label printer for printing labels for sample cassettes and biopsy cassettes; barcode reader for reading the printed labels on sample cassettes and biopsy cassettes; x-ray, magnetic resonance, tomosynthesis, ultrasound and microscope-based devices for examining tissue samples; software for tracking the location of histological and cytological specimens; microtomes and microtome blades for use in histology lab; ultramicrotomes and ultramicrotome blades, diamond knives, glass knives, glass breaker for preparing glass knives for laboratory use; tissue cutting tools and micro and macro tissue grossing stations for laboratory use; fume hoods for specimen preparation for laboratory use; microscopic slides and cover glass; specimen embedding cassettes; specimen embedding stations for laboratory use; slide and specimen cassette electric printers; image analysis scanners; electronic image recording, image storing and image representing devices, namely, digital cameras; reading devices and writing devices for codes of multiwell plates, cassettes, slides, sample carriers, namely, bar-code scanners, storing and transporting devices, namely, blank hard drives for computers; computer operating software for image analysis and image storage devices, namely, digital cameras; computer software for operating histological and cytological scientific and diagnostic apparatus and laboratory equipment; computer software for digitizing microscope slides for viewing, integration with other data, management, and analysis, all in the fields of virtual microscopy, digital pathology, digital hematology and medical information technology; Automated digital scanning system integrating optical microscopy, motorized sample positioning, digital image capture, data processing, manipulation and display for use in scanning and digitizing microscope samples in research and clinical environments; digital slide information management software for digitizing entire glass microscope slides into diagnostic quality images displayed in context with reports, case histories and other associated documents, cross-linked and concurrently viewable for use in the fields of virtual microscopy, digital pathology, digital hematology and medical information technology; software for tracking the location of histological and cytological specimens

### **Class 10**

(4) Medical apparatus, namely, histopathology instruments, tissue processors and haematology instruments for clinical purposes, namely tissue staining instruments for staining, diagnostic medical apparatus and instruments, namely, diagnostic medical apparatus for performing Immuno-histochemistry and In situ hybridisation staining reactions, and histological and pathological staining; DNA in situ hybridisation probes; diagnostic medical apparatus for promoting and controlling reaction on microarrays under slide covers; medical instruments, needles, probes, and devices for the purpose of tissue biopsy tissue removal from glands organs in the human body; surgical device, namely, a vacuum used in breast biopsies; biopsy site markers; x-ray, magnetic resonance, tomosynthesis, ultrasound microscope-based devices for examining tissue samples

### **Services**

### **Class 37**



(1) Maintenance and repair of scientific apparatus and equipment namely pathology and clinical laboratory apparatus; maintenance and repair of computer operated automation systems for laboratory instruments; maintenance and repair of scientific, fine mechanical, optical, electronic apparatuses and devices, namely, digital cameras

#### **Class 42**

(2) Scientific and technological research and design, namely, research and design in the field of testing, analyzing, examining or storing biological, medical, and cell samples; industrial analysis and research services namely, scientific research services for medical purposes, laboratory biological research, clinical biological research, biological research and research for the testing of biological, medical, and cell samples; creation of computer programs for the data processing of scientific, optical and electronic apparatuses and devices; creation of computer programs for use in providing data processing for scientific, diagnostic, research or laboratory purposes for use in microtomes, ultramicrotomes, cryomicrotomes, cryostats, macrotomes, cryomacrotomes, telepathology devices, automatic slide scanners; creation of computer programs for use in providing data processing for scientific, diagnostic, research or laboratory purposes for use in laboratory devices for histology and cytology, namely, coverslipping machines for slides, tissue infiltration devices, tissue embedding machines, staining machines, staining machines with immunological responses, contrasting machines, glass knife breakers, high-pressure freezing devices for microscopic sample preparation, and sample carriers for microscopic preparations; scientific consultation, namely, technical advice for scientific and medical institutions with respect to the application of non-medical based research and laboratory optical and electronic apparatuses and devices; maintenance and repair of scientific devices, namely, computer operating software for image analysis and image storage devices; maintenance and repair of computer operating software for image analysis and image storage devices

#### **Claims**

Priority Filing Date: May 03, 2016, Country or Office: EUIPO (EU), Application No: 015397301 in association with the same kind of goods and in association with the same kind of services

**Application Number** 1,804,570  
**Language of Application** English

**Filing Date** 2016-10-13

## APPLICANT AND AGENT DETAILS

### Applicant

Leica Biosystems Nussloch GmbH  
Heidelberger Strasse 17-19  
69226 Nussloch  
GERMANY

### Agent

GOWLING WLG (CANADA) LLP  
SUITE 2600, 160 ELGIN STREET, OTTAWA,  
ONTARIO, K1P1C3

## TRADEMARK DETAILS

# BEGINNING TO END INTEGRATION

### Trademark Type

Word

### Goods

#### Class 01

(1) Chemicals for use laboratory use for diagnostic and scientific research, namely diagnostic chemical preparations for scientific or research use; chemicals for use in histological and cytological tissue processing, namely fixative and dehydrant chemical laboratory and non-medicinal reagents; reagents for use in genetic research; products, namely diagnostic preparations containing antibodies for scientific or laboratory use none of the foregoing being for medical or veterinary use; histology and cytology reagents and stains for preparation of pathology tissue specimens for research purposes

#### Class 05

(2) Histology and cytology reagents and stains for preparation of pathology tissue specimens for medical, diagnostic or veterinary purposes; pharmaceutical preparations namely histological and cytological tissue processing applications and antibodies for the treatment of cancer and medical preparations in the nature of epitope retrieval solutions; digestive enzymes and enzyme preparations for medical and diagnostic purposes; diagnostic histological dye and stain solutions namely double, triple, multiple immuno-histochemical staining; situ hybridisation application of multiple antibodies probes staining procedure applied to a tissue section provided in IHC staining for medical purposes, namely medical diagnostic reagents; diagnostic kits for processing, embedding and staining histological tissues consisting primarily of monoclonal or polyclonal antibodies

#### Class 09

(3) Scientific apparatus and equipment, namely computer laboratory workstations and associated computer software used for protein, nucleic acid immunoassay analysis in the fields of in-vitro diagnostics and biomedical diagnosis; computer operated automation systems comprised of computer hardware and operating software for laboratory instruments; laboratory instruments for specimen preparation; automated immunostainers for laboratory use; laboratory equipment for use in specimen preparation, namely, tissue processors; haematology slide makers and stainers for placing a barrier on a slide for use in scientific research; clinical chemistry instruments for laboratory use, namely, clinical chemistry analyzers; random access clinical chemistry analysers

for the analysis of biological samples for scientific research purposes; immunoassay clinical analysers; histopathology instruments, tissue processors and haematology instruments used in scientific research for processing biological samples; laboratory devices for histology and cytology, namely coverslipping machines for slides, tissue infiltration apparatus, tissue embedding machines, staining machines, staining machines with immunological responses; tissue processors for processing biological samples for laboratory use; multiwell plates for use in chemical analysis and laboratory or medical research use; cryostats and cryomacrotomes; automatic slide scanners; laboratory equipment and supplies for collecting, preparing, holding and filing of histological and cytological specimens for microscopic, magnetic resonance, tomosynthesis, ultra-sound x-ray examination, namely, sample containers, specimen containers, sample cassettes, biopsy cassettes; label printer for printing labels for sample cassettes and biopsy cassettes; barcode reader for reading the printed labels on sample cassettes and biopsy cassettes; x-ray, magnetic resonance, tomosynthesis, ultrasound and microscope-based devices for examining tissue samples; software for tracking the location of histological and cytological specimens; microtomes and microtome blades for use in histology lab; ultramicrotomes and ultramicrotome blades, diamond knives, glass knives, glass breaker for preparing glass knives for laboratory use; tissue cutting tools and micro and macro tissue grossing stations for laboratory use; fume hoods for specimen preparation for laboratory use; microscopic slides and cover glass; specimen embedding cassettes; specimen embedding stations for laboratory use; slide and specimen cassette electric printers; image analysis scanners; electronic image recording, image storing and image representing devices, namely, digital cameras; reading devices and writing devices for codes of multiwell plates, cassettes, slides, sample carriers, namely, bar-code scanners, storing and transporting devices, namely, blank hard drives for computers; computer operating software for image analysis and image storage devices, namely, digital cameras; computer software for operating histological and cytological scientific and diagnostic apparatus and laboratory equipment; computer software for digitizing microscope slides for viewing, integration with other data, management, and analysis, all in the fields of virtual microscopy, digital pathology, digital hematology and medical information technology; Automated digital scanning system integrating optical microscopy, motorized sample positioning, digital image capture, data processing, manipulation and display for use in scanning and digitizing microscope samples in research and clinical environments; digital slide information management software for digitizing entire glass microscope slides into diagnostic quality images displayed in context with reports, case histories and other associated documents, cross-linked and concurrently viewable for use in the fields of virtual microscopy, digital pathology, digital hematology and medical information technology; software for tracking the location of histological and cytological specimens

### **Class 10**

(4) Medical apparatus, namely, histopathology instruments, tissue processors and haematology instruments for clinical purposes, namely tissue staining instruments for staining, diagnostic medical apparatus and instruments, namely, diagnostic medical apparatus for performing Immuno-histochemistry and In situ hybridisation staining reactions, and histological and pathological staining; DNA in situ hybridisation probes; diagnostic medical apparatus for promoting and controlling reaction on microarrays under slide covers; medical instruments, needles, probes, and devices for the purpose of tissue biopsy tissue removal from glands organs in the human body; surgical device, namely, a vacuum used in breast biopsies; biopsy site markers; x-ray, magnetic resonance, tomosynthesis, ultrasound microscope-based devices for examining tissue samples

### **Services**

### **Class 37**

(1) Maintenance and repair of scientific apparatus and equipment namely pathology and clinical laboratory apparatus; maintenance and repair of computer operated automation systems for laboratory instruments; maintenance and repair of scientific, fine mechanical, optical, electronic apparatuses and devices, namely, digital cameras

#### **Class 42**

(2) Scientific and technological research and design, namely, research and design in the field of testing, analyzing, examining or storing biological, medical, and cell samples; industrial analysis and research services namely, scientific research services for medical purposes, laboratory biological research, clinical biological research, biological research and research for the testing of biological, medical, and cell samples; creation of computer programs for the data processing of scientific, optical and electronic apparatuses and devices; creation of computer programs for use in providing data processing for scientific, diagnostic, research or laboratory purposes for use in microtomes, ultramicrotomes, cryomicrotomes, cryostats, macrotomes, cryomacrotomes, telepathology devices, automatic slide scanners; creation of computer programs for use in providing data processing for scientific, diagnostic, research or laboratory purposes for use in laboratory devices for histology and cytology, namely, coverslipping machines for slides, tissue infiltration devices, tissue embedding machines, staining machines, staining machines with immunological responses, contrasting machines, glass knife breakers, high-pressure freezing devices for microscopic sample preparation, and sample carriers for microscopic preparations; scientific consultation, namely, technical advice for scientific and medical institutions with respect to the application of non-medical based research and laboratory optical and electronic apparatuses and devices; maintenance and repair of scientific devices, namely, computer operating software for image analysis and image storage devices; maintenance and repair of computer operating software for image analysis and image storage devices

#### **Claims**

Priority Filing Date: May 03, 2016, Country or Office: EUIPO (EU), Application No: 015404973 in association with the same kind of goods and in association with the same kind of services

**Application Number** 1,805,726  
**Language of Application** English

**Filing Date** 2016-10-18

## APPLICANT AND AGENT DETAILS

### Applicant

ADVANCED MICRO DEVICES, INC.  
2485 Augustine Drive  
Santa Clara, CA 95054  
UNITED STATES OF AMERICA

### Agent

DEETH WILLIAMS WALL LLP  
150 YORK STREET, SUITE 400, TORONTO,  
ONTARIO, M5H3S5

## TRADEMARK DETAILS

# RYZEN

### Trademark Type

Standard Characters

### Goods

#### Class 09

semiconductor chips; semiconductors; computer hardware; microprocessor modules; microprocessor subsystems; computer hardware subsystems; computer subsystems; graphics software, namely, software that enables importation and exportation, virtualization, acceleration, manipulation, and editing of visual images and modelling on a computer; computer chipsets; integrated circuits; graphics processors; accelerated processors, namely, high performance microprocessors designed to act as central processing units (CPUs) and microprocessors; graphics cards; video cards; virtual reality headsets; computer servers; solid state drives; volatile memory and dynamic random-access memory

### Claims

Priority Filing Date: July 25, 2016, Country or Office: UNITED STATES OF AMERICA, Application No: 87/115,578 in association with the same kind of goods

**Application Number** 1,806,516  
**Language of Application** English

**Filing Date** 2016-10-26

## APPLICANT AND AGENT DETAILS

### Applicant

Hong Kong Sun Rise Trading Limited  
Room, 713, No. 8-9, Lane 1500, South  
Lianhua Road  
Minghang District, Shanghai, 201108  
CHINA

### Agent

PERLEY-ROBERTSON, HILL & MCDOUGALL  
LLP  
1400 - 340 ALBERT STREET, OTTAWA,  
ONTARIO, K1R0A5

## TRADEMARK DETAILS

# AC/DC FLEX

### Trademark Type

Word

### Goods

#### Class 07

(1) Chain saws; electric hedge shears; lawn mowers; power blowers for lawn debris; power operated cultivators; power operated tools, namely, lawn and garden edgers; power-operated grass /weed trimmers; power-operated lawn and garden tillers; vacuum cleaners; snow blowers, snow throwers; pressure washers

#### Class 09

(2) Battery chargers for rechargeable battery cells for use with power tools and outdoor power equipment; battery chargers for use with power tools and outdoor power equipment, electric storage batteries; inverters for power supply

**Application Number** 1,807,191  
**Language of Application** English

**Filing Date** 2016-10-31

## APPLICANT AND AGENT DETAILS

### Applicant

REFLECTOR ENTERTAINMENT LTD.  
2200, rue Stanley  
Montréal  
QUEBEC  
H3A1R6

### Agent

NORTON ROSE FULBRIGHT CANADA LLP/S.  
E.N.C.R.L., S.R.L.  
1, Place Ville Marie, Suite 2500, Montreal,  
QUEBEC, H3B1R1

## TRADEMARK DETAILS

# WORLDS APART

### Trademark Type

Word

### Goods

#### Class 09

(1) Pre-recorded DVDs, compact discs and audio digital discs, digital video, downloadable audio and video recordings, and high-definition digital discs featuring motion picture films and television series and shows; motion pictures; downloadable motion pictures and movies; downloadable television programs; downloadable music; computer software, namely, video and computer games, interactive games, and downloadable computer games, all the of aforesaid goods not intended for use by children; computer application software for searching and obtaining video clips and sound effects from a database and incorporating them into user-created content, namely short films; downloadable software in the nature of mobile applications, namely, video and computer games, interactive games, and downloadable computer games all the of aforesaid goods not intended for use by children; downloadable computer application software for searching and obtaining video clips and sound effects from a database and incorporating them into user-created content, namely short films; and downloadable books.

#### Class 25

(2) Clothing, namely, t-shirts, shirts, pants, jeans, socks, shoes, jackets, coats, sweaters, nightwear, pajamas, swimwear, underwear, gloves, and mittens; headwear, namely, hats and caps.

### Services

#### Class 38

(1) Providing access to a website featuring information in the field of entertainment, namely films, television series, web series, video games, video game trailers, novels and graphic novels.

#### Class 41

(2) Consulting in the ideation, creation and doctoring of films, television series, web series, video games, video game trailers, novels and graphic novels; development, production, distribution and exhibition of films, television series and web series; development, publishing and distribution of video games, video game trailers, novels and graphic novels; entertainment services, namely films, television series, web series, video games, video game trailers, novels and graphic novels.

**Application Number** 1,807,396  
**Language of Application** English

**Filing Date** 2016-11-01

## APPLICANT AND AGENT DETAILS

### Applicant

Farmer's Business Network, Inc.  
388 El Camino Real  
San Carlos, CA 94070  
UNITED STATES OF AMERICA

### Agent

GOWLING WLG (CANADA) LLP  
550 BARRARD STREET, SUITE 2300,  
VANCOUVER, BRITISH COLUMBIA, V6C2B5

## TRADEMARK DETAILS

### Trademark Type

Design

### Visual Representation



### Colour Claim

Colour is claimed as a feature of the trade-mark. The colours white, green light brown, dark brown, and brown are claimed as features of the mark. The mark consists of a green-outlined white circle containing the depiction of a green sprout with two green leaves superimposed onto an undulating pattern of, from top to bottom, light brown, brown, and dark brown dirt in the background.

### Goods

#### Class 09

(1) Software for providing seed, crop, soil, and agricultural product performance, analysis, benchmarking and predictive analytics to farmers

#### Class 16

(2) Publications, namely, books, hand-outs, journals, printed pamphlets, brochures, informational sheets, and magazines, in the field of providing farmers with product performance, analysis, benchmarking and predictive analytics

### Services

#### Class 35



(1) Online retail store services featuring chemicals for use in agriculture

**Class 36**

(2) Farm financial services, namely, providing financing of loans to farmers.

**Class 42**

(3) Mapping services to provide farmers with product performance, analysis, benchmarking and predictive analytics; research services in relation to the use of agricultural fertilisers for farmers' crop performance

**Class 44**

(4) Agricultural services namely, providing advice in relation to the use of agricultural fertilisers for farmers' crop performance

**Claims**

Priority Filing Date: October 25, 2016, Country or Office: UNITED STATES OF AMERICA,  
Application No: 87/215,153 in association with the same kind of goods and in association with the same kind of services

**Application Number** 1,809,070  
**Language of Application** English

**Filing Date** 2016-11-14

## APPLICANT AND AGENT DETAILS

### Applicant

Smartfish AS  
Forskningsparken  
Gaustadalleen 21  
0349 OSLO  
NORWAY

### Agent

ROBIC  
630, boul. René-Lévesque Ouest, 20e étage,  
Montréal, QUEBEC, H3B1S6

## TRADEMARK DETAILS

# REMUNE

### Trademark Type

Standard Characters

### Goods

#### Class 05

(1) Dietetic beverages for medical use, namely, dietary supplements for promoting weight gain in for patients with pre-cachexia and cachexia; dietetic nutritional beverages for medical use, namely, dietary supplements for promoting weight gain in for patients with pre-cachexia and cachexia; dietetic substances consisting of vitamins, minerals, amino acids and trace elements for medical use, namely, for patients with pre-cachexia and cachexia; oils for medical use, namely, for patients with pre-cachexia and cachexia namely, edible fish and marine oils, CBD oils; food supplements, namely, dietary supplements for promoting weight gain in for patients with pre-cachexia and cachexia; mineral water, namely mineral enriched water for medical use.

#### Class 29

(2) Milk beverages; beverages of milk or mainly of milk, namely, milk beverages containing fruits, milkshakes, protein milk; dairy products; milk; yogurt.

#### Class 30

(3) Sherbets.

#### Class 32

(4) Fruit juice; fruit beverages (non-alcoholic); fruit nectar; syrup for the preparation of fruit juices; non-alcoholic fruit extracts; aerated beverages, namely, aerated water, aerated fruit juices, aerated mineral waters; whey, namely syrups for making whey-based beverages; syrup for beverages; whey, namely, in the form of beverages; water beverages, namely, aerated water, coconut water, flat water, lithia water; non-alcoholic whey based beverages, namely, fruit-flavored beverages.

### Claims

Priority Filing Date: May 12, 2016, Country or Office: NORWAY, Application No: 201605755 in association with the same kind of goods

**Application Number** 1,809,858  
**Language of Application** English

**Filing Date** 2016-11-16

## APPLICANT AND AGENT DETAILS

### Applicant

Lenzing Aktiengesellschaft  
Werkstr. 2  
4860 Lenzing  
AUSTRIA

### Agent

OSLER, HOSKIN & HARCOURT LLP  
SUITE 6200, P.O. BOX 50, 1 FIRST  
CANADIAN PLACE, TORONTO, ONTARIO,  
M5X1B8

## TRADEMARK DETAILS

### Trademark Type

Design

### Visual Representation



### Colour Claim

Colour is claimed as a feature of the trademark. The Applicant claims the colours white and Indigo blue '(PANTONE\*: 193928)' as essential features of the trademark. The words CARVED IN BLUE and the line designs on each side that form part of a rectangle are Indigo blue PANTONE\*: 193928 with streaks of white. \*PANTONE is a registered trademark.

### Goods

#### Class 05

(1) sanitizing paper wipes

#### Class 09

(2) articles of protective clothing for wear by motorcyclists for protection against accident or injury

#### Class 16

(3) crepe paper; filtering sheets of paper; filter paper; paper filters for coffee makers; printed packaging materials of paper, namely, boxes, containers, bags; containers of paper for packaging purposes; bags made of paper for packaging; decorative paper bows for wrapping; decorative wrapping paper; humidity control sheets of paper or plastic for foodstuff packaging; sheets of reclaimed cellulose for wrapping; paper gift tags; gift wrap paper; cardboard packaging boxes, cardboard packaging containers; plastic film for packaging; paper impregnated with oil for wrapping purposes; cartons of cardboard for packaging; plastic materials for packaging, namely, plastic bags, plastic film; paper for wrapping and packaging; paper sacks; absorbent sheets of paper or plastic for foodstuff packaging; bows for decorating packaging; bags and articles, namely, plastic and paper sheets, plastic films, and plastic and cardboard containers for packaging,

wrapping and storage of paper, cardboard and plastics; industrial packaging containers of paper; containers of cardboard for packaging; packaging containers of regenerated cellulose; bags, namely, envelopes and pouches of paper for packaging, bags, namely, envelopes and pouches of plastics for packaging, bags, namely, envelopes and pouches of paper and plastics for packaging; plastic films for wrapping foodstuffs; packing cardboard; cartons of cardboard for packaging; fiberboard boxes; wrapping sheets made of paper; packaging materials made of cardboard, namely, containers, boxes, envelopes; packaging materials made of recycled paper, namely, humidity control sheets of paper for foodstuff packaging, containers, boxes, bags; packaging materials made of starches, namely, films, bags, pellets, containers; packaging materials, namely, absorbent sheets of paper or plastic for foodstuff packaging, containers of cardboard for packaging, packaging boxes of paper, paperboard boxes for industrial packaging; wrapping paper; cartons of cardboard for packaging; viscose sheets for wrapping; paper identification tags; writing tablets; notebooks; labels of paper; pencil boxes; cases for stationery; ball pens; small blackboards; adhesive packaging tapes; printed matter, namely, books, brochures, leaflets, magazines; stickers [stationery]; stickers [decalcomanias]; printed advertising boards of paper; printed advertising boards of cardboard; pamphlets; flags of paper; printed brochures; printed calendars; printed promotional material, namely, flyers, posters, brochures, leaflets; adhesive wall decorations of paper; printed annual publications, namely, almanacs, calendars, yearbooks; calendars; paper banners; posters; postcards; prospectuses; Christmas cards; promotional publications, namely, brochures, catalogues, flyers, posters, calendars, postcards, greeting cards, business cards; signboards of paper or cardboard; advertising poster boards; book covers; crepe paper for domestic use; paper for use in the manufacture of wallpaper; tissue paper for use as material of stencil paper (ganpishi); paper for use in the manufacture of tea bags; tissues of paper for removing make-up; coarse tissue for toiletry use; paper coffee filters; disposable paper wipes for household use; facial tissues of paper; absorbent sheets of paper or plastic for foodstuff packaging; paper tissues; tissue paper; hygienic paper; paper tissues for cosmetic use; cellulose wipes; periodicals; legal pads; adhesive pads [stationery]

#### **Class 21**

(4) disposable cleaning cloths; disposable polishing cloths, dish cloths

#### **Class 24**

(5) flocked silk fabrics, flocked wool fabrics; fabrics being textile piece goods for use in tapestry; linen, namely, tick; knitted elastic fabrics for ladies underwear; knitted elastic fabrics for bodices; knitted elastic fabrics for sportswear; knitted elastic fabrics for gymnastic dresses; fibre fabrics for use in the manufacture of articles of clothing; fibre fabrics for the manufacture of the exterior coverings of furniture; fibre fabrics for use in the manufacture of linings of shoes; fibre fabrics for use in the manufacture of linings of bags; felt cloth; felt for making paper; flame retardant fabrics [other than asbestos]; flannel [fabric]; textile, namely, towelling; linings [textile]; inlay materials of non-woven fabrics; chemical fiber fabrics; fabrics for textile use; knit lace fabrics; knitted fabric; gummed waterproof cloth; bath linen, bed linen, kitchen linen; fabric, namely, jersey; fabrics of carbon fibre, other than for insulation; fabrics made from artificial fibres, other than for insulation, namely, polyester fabrics, nylon fabrics; upholstery fabrics; furnishing fabrics in the piece; woven furnishing fabrics; non-woven felts; silk fabrics for furniture; semi-synthetic fiber fabrics; fabrics of organic fibres, other than for insulation; regenerated fiber yarn fabrics; fabrics made from artificial fibres [other than for insulation]; fabrics for use in making jerseys; knitted fabric; knitted fabrics of cotton yarn; knitted fabrics of chemical-fiber yarn; knitted fabrics of wool yarn; fabrics made of mixed synthetic and natural fibres, other than for insulation; textile fabrics for use in the manufacture of beds; textile fabrics for making into linens; textile fabrics for use in the manufacture of bedding; textile fabrics for making into blankets; textile fabrics for use in the manufacture of

furniture; textile fabrics for use in the manufacture of sheets; textile fabrics for use in the manufacture of towels; textile fabrics for use in the manufacture of pillowcases; textiles for making bedding covers; textiles for making towels; woolen cloth, sail cloth, linen cloth, jute cloth; tissues made of textile; velours for furniture; non-woven fabrics; non-woven textile fabrics; non-woven textile fabrics for use as interlinings; non-woven fabrics of natural fibres; non-woven fabrics of synthetic fibres; non-woven fabrics in the form of sheeting for use in manufacture; woven fabrics for furniture; textile goods and substitutes for textile goods, namely, bath linen, bed blankets, bed covers, bed covers of paper, bed linen, bedspreads, canvas for tapestry and embroidery, face towels of textile, furniture covers, handkerchiefs of textile, hat linings of textile, mattress covers, pillowcases, place mats, quilts, sleeping bags, table linen, table napkins of textile; nightdress cases of textile; printers' blankets of textile; disposable dish cloths, disposable face cloths; linen lining fabric for shoes; fabrics for textile use; household textile articles made from non-woven materials, namely, cushion covers, throws, blankets, placemats, hand and tea towels, table cloths, table runners, bedding, blankets, bed covers, bath towels, face cloths, hand towels, and textile wall hangings; ticks, namely, mattress covers; textile furniture coverings, plastic furniture coverings; mosquito nets; non-woven textile articles, namely, bed and table covers, bath linen, tissues of textile for removing make-up, wall hangings of textile, handkerchiefs of textile, kitchen linen, covers for cushions, table cloths, shower curtains of textile, bedspreads; textile tissues; textiles made of flannel; interlinings for shoes made of non-woven fabrics, interlinings for clothing made of non-woven fabrics; textile furniture coverings, plastic furniture coverings, leather furniture coverings; draperies [thick drop curtains]; curtains; markers, namely, labels of cloth for textile fabrics; wall hangings of textile; towels of textile; kitchen and table linens; hand towels of textile; tea cloths; dish towels for drying; place mats, not of paper; textile smallwares, namely, table linen; table covers; table cloths (not of paper); tablemats, not of paper; table covers of non-woven textile fabrics; textile napkins; table linen, not of paper; napery of textile, namely, table linen; table linen; washing gloves; receiving blankets; bed pads; duvet covers; comforters; bed blankets made of cotton; bed blankets made of man-made fibres; bed covers of paper; silk bed blankets; woolen blankets; bed sheets; bed skirts; bed throws; fabric bed valances; bed linen made of non-woven textile material; infants' bed linen; covers for eiderdown and duvets; blankets for household pets; quilts; blankets for outdoor use; disposable bedding of textile; eiderdowns [down coverlets]; terry linen cloth; sleeping bags [sheeting]; waterproof bed sheets; cot blankets; cot sheets; children's blankets; shams; lap rugs; contoured mattress covers; pillowcases; ticks, namely, mattress and pillow coverings; mattress covers; quilts filled with down; duvets; travelling rugs [lap robes]; sleeping bag liners; silk blankets; contour sheets; quilt bedding mats; quilts of towel; quilts of textile; quilts filled with feathers; quilts filled with half down; quilts filled with stuffing materials; quilts filled with synthetic stuffing materials; quilt covers; textile covers for duvets; textile goods for use as bedding, namely, sheets, blankets, bed spreads, pillow cases; bed sheets; bed throws; valanced bed sheets; bed skirts; bath towels; bath linen, except clothing; disposable wash cloths; towelling coverlets; face cloths of towelling; Turkish towel; bath sheets; textile towelling adapted for use in dispensers; hand towels; children's towels; household linen, face towels; make-up removal cloths [textile], other than impregnated with cosmetics; make-up removal cloths [textile], other than impregnated with toilet preparations; cloths of non-woven textile material for washing the body [other than for medical use]; bath mitts; mitts made of non-woven fabric for washing the body; wash cloths; cloths for washing the body [other than for medical use]; cloths of woven textile material for washing the body (other than for medical use); flame resistant fabrics; furnishing fabrics; quilts

**Class 25**

(6) headgear, namely, hats, caps, beanies, toques, earmuffs; swimming caps; bandanas [neckerchiefs]; baseball caps; berets; bobble hats; millinery, namely, hats; shower caps; fascinator hats; fedoras; fezzes; bucket caps; golf caps; yashmaks; bonnets [headwear]; tams; hats; hat frames; skull caps; waterpolo caps; clothing, namely, head hoods; small hats; knot caps; chefs' hats; sports headgear, other than helmets, namely, sweat bands, tennis visors, running caps, bandanas; children's headwear, namely, hats, caps, head scarves and toques; head scarves; yashmaghs; hats, namely, miters; fashion hats; caps [headwear]; cap peaks; sun visors [headwear]; nightcaps; hats (paper-) [clothing]; paper hats for wear by chefs; paper hats for wear by nurses; party hats [clothing]; fur muffs; fur hats; rain hats; knitted caps; flat caps; garrison caps; sedge hats (suge-gasa); sleep masks; veils [clothing]; wimples; tam o'shanter; tennis sweatbands; ski hats; sun hats; sports caps and hats; sports caps; headbands [clothing]; head sweatbands; beach hats; knitted caps; balaclavas; thermal hats, thermal caps, thermal toques, thermal beanies; toques [hats]; head scarves; woolly hats; top hats; clothing, namely, athletic clothing, baby clothing, beachwear, business attire, bridal wear, casual wear, formal wear, golf wear, loungewear, maternity clothing, outdoor winter clothing, rainwear, skiwear, sleepwear, sportswear; evening wear; evening coats; detachable neckpieces for kimonos (haneri); detachable collars for clothing; underarm gussets [parts of clothing]; aikido suits; albs; American football bibs; parkas; suits; evening suits; women's suits; bowties; dress pants; jumper suits; blouses; work clothes, namely, business attire; coveralls; blouses; sleeveless jerseys; mantle cloaks; arm warmers [clothing]; gowns for doctors; warm-up pants; clothing made of fur, namely, coats, jackets, hats, stoles; driving gloves; layettes [clothing]; baby bodysuits; baby doll pyjamas; babies' pants [clothing]; plastic baby bibs; baby tops; baby bunting [clothing]; babies' pants [clothing]; baby bottoms; pram suits; swimming costumes; bathing costumes for women; bathing suits for men; fitted swimming costumes with bra cups; swim wear for gentlemen and ladies; bathing drawers; bathrobes; swimming trunks; bathwraps; bath robes; ballet suits; ball gowns; clothing, namely, bandeaux; baseball uniforms; baselayer bottoms; baselayer tops; crop tops; printed t-shirts; leg warmers; cashmere clothing, namely, sweaters, socks, scarves, gloves, coats, jackets, pants; clothing of imitations of leather, namely, pants, coats, jackets, shirts, gloves; woolen clothing, namely, sweaters, socks, gloves, hats, scarves; motorists' clothing, namely, sportswear, casual wear; baby clothes; bridesmaids wear; figure skating clothing; christening robes; clothing for wear in judo practices; children's wear; infant wear; girls' clothing, namely, athletic clothing, beachwear, business attire, bridal wear, casual wear, formal wear, loungewear, outdoor winter clothing, rainwear, skiwear, sleepwear, sportswear; motorcyclists' clothing, namely, sportswear, casual wear; leather clothing, namely, pants, coats, jackets, shirts, gloves; linen clothing, namely, pants, shirts, dresses, skirts, suits; paper clothing, namely, dresses, underwear, vests; plush clothing, namely, sweaters, scarves, socks, gloves; silk clothing, namely, skirts, ties, scarves, blouses, pajamas, robes; clothing for martial arts; clothing for horse-riding, other than riding hats; costumes for theatrical use; clothing for fishermen; boys' clothing, namely, athletic clothing, beachwear, business attire, bridal wear, casual wear, formal wear, loungewear, outdoor winter clothing, rainwear, skiwear, sleepwear, sportswear; clothing for wear in wrestling games; maternity clothing; lounge pants; Bermuda shorts; bed jackets; bed socks; maillots; maillots; blazers; blousons; boas; leotards; body stockings; undergarments, namely, teddies; boleros; bolo ties; bomber jackets; boxer shorts; wedding dresses; burnouses; brassieres; bustiers; pea coats; capes; pedal pushers; car coats; cargo pants; chaps (clothing); chasubles; chemisettes; Chinese gowns, namely, cheongsams; choir robes; evening wear, namely, evening dresses, evening coats, evening gowns; corduroy trousers; bathing suit coverups; ladies' clothing, namely, athletic clothing, beachwear, business attire, bridal wear, casual wear, formal wear, golf wear, loungewear, maternity clothing, outdoor winter clothing, rainwear, skiwear, sleepwear, sportswear; lingerie; gowns; womens' outerclothing, namely, jackets, capes, coats, shawls; knickers; ladies' underwear;

down jackets; down vests; denim jeans; topcoats; donkey jackets; clothing, namely, three piece suits; duffel coats; pocket squares; one-piece suits; jumper suits; one-piece playsuits; disposable underwear; skating outfits; athletic tights; woollen tights; pleated skirts for formal kimonos (hakama); masquerade costumes; women's ceremonial dresses; moisture-wicking sports bras; moisture-wicking sports shirts; moisture wicking sports pants; fishing shirts; fishing vests; fleece jackets, fleece pants, fleece pullovers, fleece shirts, fleece shorts, fleece tops, fleece vests; fleece vests; flying suits; formal evening wear; formalwear; foulards [clothing articles]; morning coats; leisure suits; casual shirts; slacks; casualwear; tap pants; barber smocks; replica football jerseys; replica soccer jerseys; football jerseys; soccer bibs; footmuffs, not electrically heated; gabardine clothing namely, suits, overcoats, jackets and pants; galoshes; gaiters; padded pants for athletic use; padded shirts for athletic use; padded shorts for athletic use; knitwear clothing, namely, hats, jackets, shirts, tops, caps, sweaters; knitted gloves; knit jackets; knitted underwear; guernseys; woven clothing, namely, baby clothing, business attire, casual wear, loungewear, maternity clothing, outdoor winter clothing, sleepwear; woven shirts; gilets; polo shirts; golf trousers; golf pants, shirts and skirts; golf skirts; unitards; clothing for gymnastics; ankle socks; halloween costumes; neckbands; neckwear, namely, neck ties, bow ties, scarves; scarves; neck tubes; wrist warmers; gloves [clothing]; gloves for cyclists; gloves with conductive fingertips that may be worn while using handheld electronic touch screen devices; gloves including those made of skin, hide or fur; handwarmers [clothing]; loungewear; aloha shirts; button-front aloha shirts; shirt yokes; shirts; shirts for suits; collared shirts; open-necked shirts; button down shirts; nighties; slips [undergarments]; shirt-jacs; shirt fronts; men's suits; menswear, namely, athletic clothing, beachwear, business attire, casual wear, formal wear, golf wear, loungewear, outdoor winter clothing, rainwear, skiwear, sleepwear, sportswear; outerclothing for men, namely coats, jackets; men's socks; men's underwear; waistcoats; lumberjackets; hooded pullovers; trousers; trousers of leather; trousers for children; nurse pants; sweatpants; snowboard trousers; pantsuits; culotte skirts; knee-high stockings; braces for clothing, namely, suspenders; suspender belts for men; girdles; jackets [clothing]; jackets being sports clothing; polar fleece jackets; fishermen's jackets; sleeved jackets; sleeveless jackets; snowboard jackets; rainproof jackets; men's and women's jackets, coats, trousers, vests; jacket liners; hunting pants; hunting jackets; hunting vests; hunting shirts; kimonos; clothing, namely, denim jackets, denim jeans, denim shirts; denim jeans; denim jackets; jumpers; jodhpurs; track suits; clothing, namely, jogging suits; jogging tops; heavy jackets; stuff jackets [clothing]; judo suits; caftans; bodices [lingerie]; martial arts uniforms; combative sports uniforms; hooded sweatshirts; karate suits; cashmere scarves; kendo outfits; khakis; kilts; pinafores; nurse dresses; parts of clothing, namely, ready-made linings; pockets for clothing; leisurewear; bloomers; walking breeches; trouser socks; knee warmers [clothing]; short sets [clothing]; ready-to-wear clothing, namely, athletic clothing, baby clothing, beachwear, business attire, bridal wear, casual wear, formal wear, golf wear, loungewear, maternity clothing, outdoor winter clothing, rainwear, skiwear, sleepwear, sportswear; basic upper garment of Korean traditional clothes [jeogori]; Korean traditional women's waistcoats [baeja]; Korean topcoats [durumagi]; body warmers, namely, padded vests; corselets; camisoles; corsets; theatrical costumes, folk costumes, Hallowe'en costumes; skirt suits; costumes for use in children's dress up play; costumes for use in role-playing games; shoulder wraps; collars for dresses; neckties; ascots; crinolines; cummerbunds; short-sleeved or long-sleeved t-shirts; short-sleeve shirts; short trousers; sweatpants; short petticoats; short overcoat for kimono (haori); clothing, namely, cowls; laboratory coats; long sleeve pullovers; long sleeved vests; long jackets; Japanese sleeping robes (nemaki); full-length kimonos (nagagi); long johns; cloth bibs; bib overalls for hunting; running suits; running vests; leather suits; leather jackets; casual trousers; leggings [trousers]; sweat-absorbent underwear; light reflecting jackets; lingerie; liveries; bathing suit cover-ups; outerclothing for girls, namely, jackets, coats, shawls, capes; maniples; athletic uniforms; cuffs; coats; pelisses;

cotton coats; coats of denim; coats for women; coats for men; mantillas; eye masks; sailor suits; foundation garments, namely, bodysuits, corsets, body shapers, body stockings; miniskirts; monokinis; lounging robes; motorcycle riding suits; motorcycle gloves; motorcycle jackets; clothing, namely, fur muffs; muumuus; nighties; nightwear; wet suits; negligees; pop socks; outerclothing, namely, jackets, coats, shawls, capes, cloaks; dress shirts; uppers of woven rattan for Japanese style sandals; chemise tops; cycling tops; hooded tops; halter tops; earbands; ear muffs [clothing]; clothing, namely, combination undergarments; nurse overalls; overshirts; beach wraps; parkas; pelerines; clothing, namely, fur coats, hats, gloves, scarves, ear-muffs and jackets; fur muffs; fur cloaks; petticoats; petti-pants; polo shirts; pirate pants; plastic aprons; pantaloons; polo shirts; polo knit tops; turtleneck sweaters; polo sweaters; ponchos; sweaters; crew neck sweaters; mock turtleneck sweaters; v-neck sweaters; slipovers [clothing]; pyjamas; pajama bottoms; cyclists' clothing; cycling shorts; ramie shirts; rash guards; head scarves; rainproof clothing; rainwear; waterproof trousers; mackintoshes; rain ponchos; riding gloves; riding jackets; skirts; turtlenecks; clothing, namely, roll neck sweaters; turtleneck shirts; turtleneck sweaters; rugby tops; rugby shorts; bushjackets; saris; sarongs; sheepskin jackets; sheepskin coats; neck scarfs [mufflers]; clothing, namely, muffler scarves; shawls [from tricot only]; shawls and headscarves; shawls and stoles; sashes for wear; sash bands for kimono (obi); referees uniforms; nightwear; tube tops; cravats; knickers; snow suits; snow pants; shoulder scarves; shoulder wraps [clothing]; school uniforms; aprons [clothing]; paper aprons; maternity bands; maternity smocks; sweat-absorbent socks; sweat-absorbent stockings; sweatbands; sweat bands for the wrist; headbands [clothing]; dress shields; anti-perspirant socks; uniforms for nurses; swimming trunks; silk ties; silk scarves; adhesive bras; shampoo capes; shell jackets; shift dresses; mock turtleneck shirts; shirts and slips; shortalls; shorts; fleece shorts; boy shorts [underwear]; ski suits for competition; ski gloves; ski trousers; ski jackets; clothing for skiing; ski balaclavas; sliding shorts; briefs; dinner jackets; dinner suits; snow boarding suits; snowboard gloves; Japanese style socks (tabi); socks and stockings; sock suspenders; bralettes; sundresses; sunsuits; playsuits [clothing]; camiknickers; gym suits; sports clothing [other than golf gloves]; sportswear; sports bras; casual shirts; sports shirts with short sleeves; sports pants; sports jackets; sports socks; sports singlets; sports jerseys and breeches for sports; gym suits; athletics vests; dust coats; quilted jackets [clothing]; quilted vests; cloth bibs; cloth bibs for adult diners; tightening-up strings for kimonos (datejime); rompers; snap crotch shirts for infants and toddlers; beachwear; beach robes; stretch pants; knit shirts; cardigans; thong sandals, thong underwear; garters; nylon stockings, knee-high stockings; sweat-absorbent stockings; heelpieces for stockings; pantie-girdles; tights; maillots [hosiery]; footless tights; hosiery; footless socks; surfwear; jockstraps [underwear]; sweaters; tracksuit bottoms; sweatjackets; sweat shirts; sweat shorts; taekwondo suits; waist cinchers; tank tops; dance clothing; dance costumes; tabards; camouflage gloves; camouflage shirts; camouflage pants; camouflage jackets; camouflage vests; trews; tennis wear; tennis shirts; tennis dresses; tennis pullovers; tennis skirts; tennis shorts; tennis socks; fabric belts [clothing]; thobes; theatrical costumes; thermal socks; thermal underwear; togas; tops, namely, tank tops, crop tops, knitted tops, halter tops, shirts; folk costumes; Japanese traditional clothing, namely, nemaki, kimonos, tabi, tabi covers; bra straps; bib tights; pinafore dresses; strapless bras; tank tops; sweatpants; sweat shorts; tracksuit tops; trench coats; bib shorts; triathlon clothing; dry suits; tee-shirts; clothing, namely, kerchiefs; neckerchiefs; head scarves; tunics; turbans; gym shorts; tutus; twin set sweaters; Korean outer jackets worn over basic garment [magoja]; nappy pants [clothing]; over-trousers; neck scarves; cloaks; shawls; maternity clothing; maternity sleepwear; maternity lingerie; school uniforms, sports uniforms, military uniforms, uniforms for medical personnel; uniforms for commercial use, namely, sports uniforms, military uniforms, uniforms for medical personnel; uniforms for nurses; referees uniforms; union suits; babies' undergarments; sweat-absorbent underwear; vest tops; undershirts for kimonos (juban); undershirts for kimonos (koshimaki); clothing bottoms, namely, pants, pajama



bottoms, skirts, shorts, jeans; pants; chemises; bustles for obi-knots (obiage-shin); tracksuit bottoms; garments for protecting clothing, namely, flexible garment bags; suit coats; volleyball jerseys; thermally insulated clothing, namely, shirts, undershirts, pants; warm-up jackets; warm-up tops; weatherproof clothing, namely, raincoats, outdoor winter clothing, jackets; waterproof suits for motorcyclists; waterproof capes; waterproof outerclothing, namely, jackets, coats, snow pants, gloves, pants; water socks; waterproof trousers; rainproof jackets; clothing, namely, oilskin coats, jackets and pants; wetsuits for water-skiing; chefs' whites; white coats for hospital use; caftans; sweat shirts; reversible jackets; waistcoats; leather waistcoats; cagoules; sailing wet weather clothing, jackets, pants, overalls, gloves; puttees and gaiters; wrap belts for kimonos (datemaki); beach wraps; beach wraps; swaddling clothes for babies; salopettes; windproof clothing, namely, jackets, pants; wind suits; wind pants; windshirts; wind vests; winter gloves; winter coats; weather resistant outer clothing, namely, raincoats, outdoor winter clothing, jackets; woollen socks; yoga pants; yoga shirts; zoot suits; parts of clothing, namely, gussets; gussets for bathing suits [parts of clothing]; gussets for footlets [parts of clothing]; gussets for leotards [parts of clothing]; gussets for stockings [parts of clothing]; gussets for tights [parts of clothing]; gussets for underwear [parts of clothing]; athletic footwear, beach footwear, bridal footwear, casual footwear, children's footwear, evening footwear, exercise footwear, medical personnel footwear, outdoor winter footwear, rain footwear, ski footwear, sports footwear; heels; heelpieces for footwear; bootees (woollen baby shoes); bath slippers; footwear for women, namely, athletic footwear, beach footwear, bridal footwear, casual footwear, children's footwear, evening footwear, exercise footwear, medical personnel footwear, outdoor winter footwear, rain footwear, ski footwear, sports footwear; insoles for footwear; espadrilles; heel inserts; flat shoes; embossed heels of rubber or of plastic materials; embossed soles of rubber or of plastic materials; non-slipping soles for footwear; slippers; slipper socks; stiffeners for shoes; inner socks for footwear; running shoes; infants' footwear; leather slippers; leather shoes; canvas shoes; deck shoes; uppers for Japanese style sandals; slippers; footwear, namely, pumps; welts for footwear; rain boots; riding shoes; shoe straps; rugby boots; mules; slip-on shoes; shoes; athletic shoes; leisure shoes; shoes for foot volleyball; shoes with hook and pile fastening tapes; high-heeled shoes; mountaineering shoes; shoe inserts for non-orthopedic purposes; shoe uppers; footwear soles; shoe covers, other than for medical purposes; footwear uppers; snowboard shoes; shoe soles; slipper soles; soles for Japanese style sandals; espadrilles; dance shoes; ballroom dancing shoes; tennis shoes; training shoes; tips for footwear; waterproof boots for fishing; aqua shoes; winter boots; yoga shoes; zori; tongues for shoes and boots; intermediate soles for footwear; pyjamas [from tricot only]; wetsuit gloves

## **Class 27**

(7) fabric wall coverings

## **Services**

### **Class 35**

Advertising services for third parties, marketing consulting in the field of social media, provision of marketing reports, marketing research, providing marketing strategies for others, promoting the goods and services of others through advertisements on Internet websites, promoting the goods and services of others through distribution of discount cards, promoting the sale of goods and services through a consumer loyalty program, promoting the sale of goods and services of others through promotional contests and distribution of related printed material; bill-posting, namely the placement of poster advertisement for others, outdoor advertising signs and billboards; banner advertising for third parties; business merchandising display services; public relations services; online advertisements for third parties; telemarketing services; promoting the goods and services of others through the distribution of discount cards, promoting the sale of goods and services of

others by awarding purchase points for credit card use, promoting the sale of goods and services of others through promotional contests and the distribution of related printed material; advertising for third parties; business display services for merchandise; preparation and presentation of audio visual displays for advertising purposes; arranging of displays for commercial purposes; organisation and conducting of product sales presentations for others; arranging of demonstrations for advertising purposes; sales demonstrations for others; sales demonstration of goods and services for others by electronic means, also for the benefit of the so-called homeshopping services; demonstration of goods for promotional purposes for others; arranging of sales demonstrations for others for advertising purposes; pharmaceutical trade show and exhibition services; arranging of packaging and wrapping exhibitions for business purposes; arranging of pulp and paper bleaching exhibitions for advertising purposes; conducting homeware exhibitions for business purposes; conducting cosmetic exhibitions for advertising purposes; organisation of exhibitions and trade fairs for business and promotional purposes in the field of clothing manufacture; conducting textile business shows; fashion show exhibitions for commercial purposes; arranging of window displays for commercial purposes; organisation of events, namely, fashion shows, live musical performances, for commercial and advertising purposes; organization of events, exhibitions, fairs and shows in the pharmaceutical field for commercial, promotional and advertising purposes; planning and conducting of trade fairs, exhibitions and presentations in the field of clothing manufacture for economic or advertising purposes; rental of advertising space on-line; distribution of advertising, marketing and promotional material for others, namely, advertising flyer distribution; distribution of advertisements and commercial announcements for others; dissemination of advertising for others via the internet; distribution and dissemination of advertising materials, namely, leaflets, prospectuses, printed material, promotional samples; handbill distribution; distribution of samples for publicity purposes; distribution of prospectuses and samples for publicity purposes; sample distribution; distribution of promotional matter; arranging the distribution of advertising literature for others in response to telephone enquiries; arranging of presentations in the field of cosmetics for business purposes; business management; supply chain management services; business administration; marketing studies; rental of advertising space

### **Claims**

Priority Filing Date: September 09, 2016, Country or Office: EUIPO (EU), Application No: 015809379 in association with the same kind of goods and in association with the same kind of services

**Application Number** 1,812,168  
**Language of Application** English

**Filing Date** 2016-12-01

## APPLICANT AND AGENT DETAILS

### Applicant

HGCI, Inc.  
3993 Howard Hughes Parkway  
Suite 250  
Las Vegas, Nevada 89169  
UNITED STATES OF AMERICA

### Agent

ACCUPRO TRADEMARK SERVICES LLP  
SUITE 702 - 401 WEST GEORGIA STREET,  
VANCOUVER, BRITISH COLUMBIA, V6B5A1

## TRADEMARK DETAILS

# GROWER'S EDGE

### Trademark Type

Standard Characters

### Goods

#### Class 06

(1) Metal plant stakes; metal plant stakes containing metal support wire; metal wire plant support cages; plant support wire; metal brackets for holding plant stakes

#### Class 09

(2) Thermometers not for medical use, namely, thermometers for agricultural and horticultural purposes; hygrometers

(3) Microscopes; magnifier loupes

#### Class 11

(4) Portable lighting products, namely, headlamps; flashlights

#### Class 17

(5) Light blocking plant growing media covers in the nature of plastic sheeting for preventing algae growth and pest growth; plastic adhesive sheets for capturing particulates; Reflective film used for horticulture purposes to reflect light onto plants

#### Class 20

(6) Non-metal clips for training plants, securing vines, securing stems, and securing plant stakes

(7) Plant drying racks

#### Class 21

(8) Electric vaporizers for household purposes for agricultural and horticultural purposes, namely for the vaporization of sulfur; power-operated vaporizers for industrial or commercial purposes for agricultural and horticultural purposes, namely for the vaporization of sulfur

#### Class 22

(9) Plastic twist ties; plastic strings for supporting plants

(10) Garden nets; unfitted tarps for gardening and general household use; Indoor greenhouse tents

**Application Number** 1,812,177  
**Language of Application** English

**Filing Date** 2016-12-01

## APPLICANT AND AGENT DETAILS

### Applicant

HGCI, Inc.  
3993 Howard Hughes Parkway  
Suite 250  
Las Vegas, Nevada 89169  
UNITED STATES OF AMERICA

### Agent

ACCUPRO TRADEMARK SERVICES LLP  
SUITE 702 - 401 WEST GEORGIA STREET,  
VANCOUVER, BRITISH COLUMBIA, V6B5A1

## TRADEMARK DETAILS

# TITAN CONTROLS

### Trademark Type

Standard Characters

### Goods

#### Class 09

(1) Electromechanical controls for use in horticulture to operate watering systems, operate air moving equipment, namely electric fans for use in the horticulture industry, control temperatures, control lighting, control humidity, and control CO2 levels; electromechanical environmental controllers for sensing environmental conditions, namely temperature sensors, soil moisture sensors, soil density sensors, CO2 level sensors and operating electrically powered equipment in response thereto, namely watering systems, electric fans for use in horticulture industry, thermostats, lighting systems used in plant growing, and carbon dioxide level controllers; digitally controlled electromechanical controls for use in horticulture to operate watering systems, operate air moving equipment, namely electric fans for use in the horticulture industry, control temperatures, control lighting, control humidity, and control CO2 levels; electrical integrated control systems consisting of irrigation and environmental controllers, namely electromechanical controls to operate watering systems, operate air moving equipment, namely electric fans for use in the horticulture industry, control temperatures, control lighting, control humidity, and control carbon dioxide CO2 levels for use in horticulture and hydroponics

(2) Electronic timers and electromechanical controllers for controlling electric powered appliances for the use in horticulture, namely watering systems, electric fans, thermostats, lighting systems used in plant growing, and carbon dioxide level controllers; electromechanical and electronic timers for lights and appliances

**Application Number** 1,814,313  
**Language of Application** English

**Filing Date** 2016-12-08

## APPLICANT AND AGENT DETAILS

### Applicant

Organisation mondiale de design (OMD) /  
World Design Organization (WDO)  
455 St-Antoine Ouest  
Suite SS10  
Montréal  
QUEBEC  
H2Z1J1

### Agent

DE GRANDPRÉ CHAIT  
800 René-Lévesque Blvd. West, 26th Floor,  
Montreal, QUEBEC, H3B1X9

## TRADEMARK DETAILS

# WORLD INDUSTRIAL DESIGN DAY

### Trademark Type

Word

### Goods

#### Class 18

(1) Tote bags and knapsacks

#### Class 21

(2) Mugs and reusable water bottles

#### Class 25

(3) Clothing, namely T-shirts, sweatshirts, hooded sweatshirts, caps and hats.

**Application Number** 1,815,204  
**Language of Application** French

**Filing Date** 2016-12-20

## APPLICANT AND AGENT DETAILS

### Applicant

DECATHLON, Société anonyme  
4, Boulevard de Mons  
59650 Villeneuve-d'Ascq  
FRANCE

### Agent

LAVERY, DE BILLY, LLP  
1 Place Ville Marie, Suite 4000, Montréal,  
QUÉBEC, H3B4M4

## TRADEMARK DETAILS

### Trademark Type

Design

### Visual Representation



### Goods

#### Class 04

(1) Industrial oils and greases; all-purpose lubricants; bike lubricants, bike chain lubricants, protective lubricants and synthetic oils for bikes.

(2) Industrial oils and greases; lubricants, namely industrial oils and greases for cycle maintenance.

#### Class 06

(3) Common metals and their alloys; non-electric metal cables and wires; ironmongery, small items of metal hardware, namely locks of metal for vehicles, bike locks, metal chains; padlocks, metal rings for keys, bike parking installations made of metal.

(4) Common metals and their alloys; materials of metal for railway tracks; non-electric metal cables and wires; ironmongery, small items of metal hardware, namely locks of metal for vehicles, bike locks, metal chains; safes; padlocks.

#### Class 08

(5) Hand tools and implements (hand-operated), namely pliers; scissors, shears, tools, namely wrenches, tools, namely tube cutters, knives, namely multifunctional knives, folding knives, sport

knives, hand jacks, tools, namely pry bars, hand files, tools, namely hand-operated hammers, hand-operated hand drills, tools, namely pliers, pincers, hand-operated guns for the extrusion of sealants, tools, namely screwdrivers, tools, namely tire irons, tools, namely bike pedal wrenches.

(6) Hand tools and implements (hand-operated), namely pliers; cutlery; razors; tools, namely wrenches, tire irons, screwdrivers, bike pedal wrenches, bike crankset tools, pliers; bike chain tools, namely hand tools for shortening and lengthening bicycle chains.

### **Class 09**

(7) Scientific, photographic, cinematographic, optical, measuring and signalling apparatus and instruments, namely cameras, digital cameras, compasses, frequency meters, pedometers, binoculars; apparatus for the recording, transmission or reproduction of sound and images, namely video players and recorders, DVD players, MP3 players, audio cassette and CD players, audio tape recorders; data processing equipment, namely computers, electronic tablets; virtual reality software for simulating bike races; eyeglasses, sunglasses, eyeglass cases, eyeglasses for sports, protective helmets for sports, mouth guards, revolution counters, namely bicycle speedometers, electric bicycle batteries, battery chargers, namely USB chargers, camera battery chargers, battery chargers for use with telephones, battery chargers for cameras, all-purpose rechargeable batteries, electric batteries, electric batteries for vehicles, all-purpose batteries, camera batteries, navigation instruments, namely navigation compasses, compasses, satellite navigation apparatus, namely vehicle navigation apparatus in the form of on-board calculators, measuring instruments, namely connected bracelets, wearable activity sensors; protective visors for athletes.

(8) Apparatus for the recording, transmission and reproduction of sound and images, video players and recorders, DVD players, MP3 players, audio cassette and CD players, audio tape recorders, video tape recorders, DVD players, MP3 music players, information processing apparatus, namely electronic tablets, computers, computer printers; sound amplification apparatus, namely stereo amplifiers, audio amplifiers; audio and video receivers; projection screens; intercommunication apparatus, namely telephones and hand-held portable two-way radio transceivers, radios; computer hardware, namely mice; devices for personal protection against accidents, namely goggles, protective nets, safety harnesses, other than vehicle seats and sports equipment, life nets, protective helmets for sports, life belts; eyeglasses, hygrometers, sextants; telescopes, spotting scopes, monocular lenses; scales, namely bathroom scales, luminous safety beacons for use as a personal locator, barometers, altimeters; marking buoys, signalling buoys; compasses, one-piece suits, suits, gloves, diving masks; mouth guards; optical goods, namely eyeglasses, glacier sunglasses, swimming goggles, eyeglass cases; binoculars; fire-extinguishing apparatus; hydrometers, barometers; GPS guidance systems, namely global positioning system (GPS) consisting of computers, computer software, transmitters, receivers and network interface devices; flashlight batteries; cameras, developed photo film; revolution counters, namely bicycle speedometers, pedometers; dog whistles; electronic organizers, portable telephones, personal data assistants, sonars, riding helmets; pedalling frequency calculators and counters; protective face covers, namely face shields for helmets, dust masks; helmets, namely sports helmets, bicycle helmets, helmets for motorcyclists; head protection and protective clothing, namely protective helmets for sports, sports helmet protective visors, protective clothing for protecting motorcyclists against accidents or injuries.

### **Class 11**

(9) Lighting fixtures, namely searchlights, light bulbs, electric light bulbs, light bulbs for directional signals for vehicles, light fixtures, namely diffusers, electric lamp sockets, lighting apparatus for vehicles, namely tail lights for vehicles, lights for vehicles, lighting apparatus using light-emitting diodes [LEDs], namely LED flashlights, bike lights, electric lamps, lighting, namely searchlights,

electric flashlights, lanterns, flashlights, lanterns, lamp mantles, vehicle headlights, searchlights, lamp tubes, luminous tubes for lighting.

### **Class 12**

(10) Vehicles, namely bikes, bike trailers, motorcycles; apparatus for locomotion by land, namely bikes, motorcycles, motorbikes, scooters, motors and engines for land vehicles; electric motors for cycles, cycles; inner tubes for pneumatic tires, repair outfits for inner tubes, adhesive rubber patches for repairing inner tubes; tires, anti-skid devices for vehicle tires; anti-theft devices for vehicles; tarpaulins for baby carriages; luggage racks for vehicles; child safety seats for vehicles; vehicles covers; covers for vehicle seats; vehicle wheel hubs; gears for land vehicles and horns; kickstands for cycles, pedal bikes; bikes; bike frames; frame bags, handlebar bags, saddlebags, water bottle cages, all these items intended for bikes and cycles; bike brakes, handlebars, turn signals for bikes, bike pedals, bicycle pumps, bike spokes, bicycle saddles; mudguards, cycle tubulars; cycle forks; bike shock absorbers; bicycle carriers; bike bags; anti-theft devices for cycles; cranks for cycles; bike trailers; bike bells; special metal baskets for bikes, bike bells made of metal. .

(11) Vehicles, namely bikes, bike trailers, motorcycles, apparatus for locomotion by land, namely bicycles, bikes, tricycles, scooters; motors and engines for land vehicles; cycles; inner tubes for pneumatic tires, repair outfits for inner tubes, adhesive rubber patches for repairing inner tubes; tires, anti-skid devices for vehicle tires; anti-theft devices for vehicles; headrests for vehicle seats; tarpaulins for baby carriages; luggage racks for vehicles; child safety seats, for vehicles; vehicle covers and saddle covers; covers for vehicle seats; ski racks for automobiles; vehicle wheel hubs; gears for land vehicles and horns; kickstands for cycles, bikes; bicycles; bike frames; frame bags, handlebar bags, saddlebags, water bottle cages, all these items intended for bikes and cycles; bike brakes, handlebars, turn signals for bikes, bike pedals, bicycle pumps, bike spokes, bicycle saddles; mudguards, cycle tubulars; cycle forks; shock absorbers for bikes; bicycle carriers; bike bags; anti-theft devices for cycles; bike cranks, bike cranksets.

### **Class 14**

(12) Horological and chronometric instruments, namely watch cases, watch faces, sports watches, watches, stopwatches, novelty key holders.

(13) Horological and chronometric instruments, namely watch cases, watch faces, sports watches; watches, watch bands, stopwatches.

### **Class 18**

(14) Trunks and suitcases; umbrellas and parasols; bags, namely travel bags, backpacks, sports bags and travel bags for cycling; saddle covers.

(15) Bags, namely travel bags, backpacks, sports bags; garment bags for travel; sports bags and travel bags for cycling; saddle covers.

### **Class 21**

(16) Brush products, namely cleaning brushes; articles for cleaning purposes, namely cleaning cloths, chamois leather for cleaning, wipes for home cleaning; steel wool; brushes for cleaning bikes and motorcycles; brushes for cleaning bike chains, snack boxes, bottles, namely plastic bottles, water bottles sold empty, insulated bottles, refrigerating bottles, cruets, shoe horns, bottle brushes for cleaning containers, household sponges, water bottles, canteens, chamois leather for cleaning, glue pots, cooler bags, cleaning cloths.

(17) Water bottles, namely canteens, insulated bottles, refrigerating bottles, thermally insulated containers.



**Class 25**

(18) Clothing, namely athletic wear, athletic clothing, outdoor, winter clothing, rainwear, casual wear, casual clothing, footwear, namely athletic shoes, hiking shoes, training shoes, outdoor winter shoes, running shoes, rain shoes, headgear, namely hats, caps, headbands, bandanas, caps, knitted caps, underpants, pullovers, socks, sports shoes, bike shoes, panties, sports tank tops, underwear, scarves, gloves, vests, skirts, skorts, sports jerseys, pants, dresses, inner soles, insoles, bras, T-shirts, jackets, waterproof clothing, namely waterproof jackets and pants, waterproof ponchos, shorts, bike shorts. .

(19) Men's, women's and children's clothing in the nature of knitwear, namely knit tops, knit jackets, underwear, robes, bathrobes, bathing suits, bathing caps; sandals and bath shoes; pajamas, dressing gowns, sweaters, skirts, dresses, pants, jackets, coats, non-waterproof anoraks, shirts, namely shirts, T-shirts, layettes, ties, scarves, belts, apparel, namely money belts; apparel, namely gloves, waterproof clothing in the nature of coats, raincoats, anoraks; ski suits, wet suits for water-skiing, hats, caps, socks, stockings, tights, gaiters for skiing purposes; footwear (except orthopedic shoes), namely athletic shoes, hiking shoes, training shoes, outdoor winter shoes, running shoes, rain shoes, slippers, boots; sports shoes, beach footwear, ski boots, after-ski footwear, climbing shoes, insoles; clothing for sports (except for diving), namely pants, jackets, shorts, T-shirts, pullovers; apparel, namely headbands.

**Class 28**

(20) Games, namely outdoor activity play sets, gymnastic and sporting articles, namely sports balls, sportswear items, namely protective padding, namely body protectors for athletic use, chest protectors for athletic use, sporting articles, namely elbow pads, sporting articles, namely knee pads, sporting articles, namely shin guards, sporting articles, namely foot guards, sporting articles, namely wrist guards, sporting articles, namely shoulder pads, sporting articles, namely forearm guards, sporting articles, namely back protection, namely jerseys and T-shirts (protective) for cyclists, sporting articles, namely protective cups, stationary exercise bikes; rollers for stationary exercise bicycles, scooters, balance bikes.

(21) Games, namely outdoor activity play sets, play balloons; stationary bikes; exercise bikes; exercise machines and equipment, namely cross-trainers; stationary bikes for high-intensity cycling; game apparatus designed solely for use with television receivers, namely TV game consoles; protective headgear, footwear and clothing for cycling, namely helmets, shoes and gloves.

**Application Number** 1,816,526  
**Language of Application** English

**Filing Date** 2017-01-03

## APPLICANT AND AGENT DETAILS

### Applicant

8115311 Canada Inc. o/a seoplus+  
333 Preston St  
Suite 1010  
Ottawa  
ONTARIO  
K1S5N4

### Agent

GOWLING WLG (CANADA) LLP  
SUITE 2600, 160 ELGIN STREET, OTTAWA,  
ONTARIO, K1P1C3

## TRADEMARK DETAILS

# SEOPLUS+

### Trademark Type

Standard Characters

### Services

#### Class 35

(1) Digital marketing services for third parties, namely, search engine optimization; website content development for others in the field of digital marketing, namely, the development, creation and production of advertising and promotional content for websites, namely, pictures, graphics, videos, articles, text and infographics for others, public relations and managed pay-per-click online advertising services for others

#### Class 42

(2) Website and graphic design for digital marketing

**Application Number** 1,819,639  
**Language of Application** English

**Filing Date** 2017-01-25

## APPLICANT AND AGENT DETAILS

### Applicant

The Leftovers Foundation  
508 A 815 1st Street South West  
Calgary  
ALBERTA  
T2P1N3

### Agent

MCCARTHY TETRAULT LLP  
SUITE 5300, TORONTO DOMINION BANK  
TOWER, TORONTO-DOMINION CENTRE, 66  
Wellington Street West, Suite 5300, Box 48,  
TORONTO, ONTARIO, M5K1E6

## TRADEMARK DETAILS

# RESCUE FOOD

### Trademark Type

Word

### Goods

#### Class 09

(1) car magnets

#### Class 14

(2) ornamental pins

#### Class 16

(3) takeout boxes made of paper; takeout boxes made of cardboard; stickers; door signs made of paper; door signs made of cardboard; name tags made of paper; name tags made of cardboard

#### Class 25

(4) T-shirts; hats; toques

#### Class 26

(5) novelty buttons

**Application Number** 1,821,479  
**Language of Application** English

**Filing Date** 2017-02-06

## APPLICANT AND AGENT DETAILS

### Applicant

Log Plastic Products Company (1993) LTD  
Kibbutz Ashdot Ya'acov Ichud  
D.N. Jordan Valley 1515500  
ISRAEL

### Agent

OSLER, HOSKIN & HARCOURT LLP  
SUITE 1900, 340 ALBERT STREET,  
OTTAWA, ONTARIO, K1R7Y6

## TRADEMARK DETAILS

# ACTIVECLOSURE

### Trademark Type

Word

### Goods

#### Class 16

(1) Desiccants for use in packaging; Desiccants for absorbing moisture; Chemicals for absorbing oxygen; Chemical sorbents for reducing moisture and oxygen in packaging; Industrial chemicals for reducing moisture and oxygen in packaging; Mineral sorbents; Chemicals for use in the manufacture and finishing of unprocessed plastic concentrates for use in the manufacture of thermoplastics containing additives; Chemical products for use in industry, namely adsorbents for reducing moisture and oxygen in packaging; Chemical products for use in industry and science, namely, desiccants for absorbing moisture and anticondensation agents, namely, moisture absorbing surfactants; Chemical products for industry and science, namely absorbing chemicals for maintaining relative humidity levels within bottles, tubes and plastic packaging and within pharmaceutical products, nutritional supplements for general health and well-being, vitamin supplements and diagnostic products for medical diagnostic use and within medical and dental product packaging.

#### Class 20

(2) Plastic closures for pharmaceutical containers; Threaded caps for plastic bottles and pharmaceutical containers; Plastic caps for sealing plastic bottles, cosmetic cream tubes and pharmaceutical containers; Non-metallic caps for sealing plastic bottles, cosmetic cream tubes or pharmaceutical containers; Bottle caps, not of metal; Container closures of plastic; Bottle closures not of metal; Plastic closures and plastic caps for pharmaceutical containers.

### Claims

Priority Filing Date: February 05, 2017, Country or Office: ISRAEL, Application No: 291766 in association with the same kind of goods

**Application Number** 1,822,034  
**Language of Application** English

**Filing Date** 2017-02-08

## APPLICANT AND AGENT DETAILS

### Applicant

CE TM Holdings LLC  
131 South Dearborn Street  
Chicago, IL 60603  
UNITED STATES OF AMERICA

### Agent

SMART & BIGGAR LLP  
1100-150 York street, TORONTO, ONTARIO,  
M5H3S5

## TRADEMARK DETAILS

# CITADEL ENERGY MARKETING

### Trademark Type

Word

### Services

#### Class 35

(1) Marketing services in the field of commodities by buying, offering for sale and selling natural gas to customers including, but not limited to, power and gas producers, utilities companies and merchant businesses

#### Class 36

(2) Financial services, namely, trading in the field of commodities by buying, offering for sale and selling natural gas to customers including, but not limited to, power and gas producers, utilities companies and merchant businesses

### Claims

Priority Filing Date: August 08, 2016, Country or Office: UNITED STATES OF AMERICA,  
Application No: 87130332 in association with the same kind of services

**Application Number** 1,824,669  
**Language of Application** English

**Filing Date** 2017-02-16

## APPLICANT AND AGENT DETAILS

### Applicant

ADAMA Agan Ltd.  
P.O. Box 262,  
Northern Industrial Zone,  
Ashdod 7710201  
ISRAEL

### Agent

ANDREA FRIEDMAN-RUSH  
(BLANEY MCMURTRY LLP), 2 Queen Street  
East, Suite 1500, Toronto, ONTARIO, M5C3G5

## TRADEMARK DETAILS

# BREVISMART

### Trademark Type

Word

### Goods

#### Class 09

Measurement instruments, namely, instruments for measuring the impact, needs and effectiveness of agrochemicals on trees, plants and crops, namely photosynthesis meters and bio sensors; software for collecting measurement data relating to the use of agrochemicals on trees, plants and crops in order to analyze, predict, prescribe and store such information.

### Services

#### Class 42

(1) Scientific and technological services in the nature of agrochemical research services including plant growth regulators; measurement evaluation services in the field of plant growth regulators in agriculture, consultation and information in relation to the aforesaid services

#### Class 44

(2) Providing consultation and information in the fields of agriculture and agrochemical research services including plant growth regulators

**Application Number** 1,827,432  
**Language of Application** English

**Filing Date** 2017-03-15

## APPLICANT AND AGENT DETAILS

### Applicant

Wittmann Battenfeld Canada Inc.  
35 Leek Crescent  
Richmond Hill  
ONTARIO  
L4B4C2

### Agent

MCMILLAN LLP  
BROOKFIELD PLACE, SUITE 4400, BAY  
WELLINGTON TOWER, 181 BAY STREET,  
TORONTO, ONTARIO, M5J2T3

## TRADEMARK DETAILS

### Trademark Type

Design

### Visual Representation



### Goods

#### Class 07

(1) vacuum pumps for use in the plastic molding industry; pellet loaders, powder loaders and resin loaders, all for use in the plastic molding industry; central filters for use in the plastic molding industry, namely, industrial filters for removing contaminants from air used in vacuum loading of molds; powder weigh loaders for use in the plastic molding industry, namely, integrated hoppers.

#### Class 09

(2) scales and dispensers for metering plastic pellets, powder or resins into molds; weighing scales for use in the plastic molding industry; electric control panels for use in the plastic molding industry, namely control panels for controlling vacuum pumps, pellet, powder and resin loaders, powder weigh loaders, weighing scales and central filters.

### Services

#### Class 35

(1) Business development services, namely, providing startup support for business of others in the plastic molding industry; commissioning services in the plastic molding industry namely, business intermediary services relating to the matching of companies in the plastic molding industry with construction companies that build industrial plants and machinery for the plastic molding industry based on specifications provided by the companies in the plastic molding industry.

#### Class 37

(2) Installation, repair and maintenance services in the plastic molding industry, namely, the installation, repair and maintenance of vacuum pumps, pellet, powder and resin loaders, powder weigh loaders, weighing scales, and central filters.

**Class 40**

(3) assembly of products for others in the plastic molding industry, namely, the assembly of vacuum pumps, pellet, powder and resin loaders, powder weigh loaders, weighing scales, and central filters.

**Class 42**

(4) custom system design and engineering services in the plastic molding industry, namely, the design of vacuum pumps, pellet, powder and resin loaders, powder weigh loaders, weighing scales, and central filters; product testing services in the plastic molding industry installation, namely, testing of vacuum pumps, pellet, powder and resin loaders, powder weigh loaders, weighing scales, and central filters.



**Application Number** 1,828,241  
**Language of Application** English

**Filing Date** 2017-03-20

## APPLICANT AND AGENT DETAILS

### Applicant

Kamil Hrbáček  
U vysocanského pivovaru 3  
190 00 Praha 9  
CZECH REPUBLIC

### Agent

BERESKIN & PARR LLP/S.E.N.C.R.L., S.R.L.  
SCOTIA PLAZA, 40 KING STREET WEST,  
40th FLOOR, TORONTO, ONTARIO, M5H3Y2

## TRADEMARK DETAILS

### Trademark Type

Design

### Visual Representation



### Colour Claim

Colour is claimed as a feature of the trade-mark. The mark consists of the wording "PHOTOROBOT" in black and the letter "P" in white with a solid orange six sided polygon center, and an orange polygon outline around the white with a break on the left lower side for the stem of the "P".

### Goods

#### Class 09

cameras, cine-cameras, camcorders, camera stands, lighting stands, turning stands and holders for displaying items to be photographed or filmed, turning stands and holders for cameras, cine-cameras and camcorders, motors for conducting switching, transforming, regulating or controlling electricity for camera control, laser sights for cameras, cine-cameras and camcorders, lasers for positioning cameras, cine-cameras and camcorders, electrical positioning devices, namely turning stands and holders for cameras, cine-cameras and camcorders, electrical positioning devices, namely turning stands and holders for displaying items to be photographed or filmed, mobile phones, portable MP3 players, portable MP4 players, portable tablet computers, portable CD players, computer software for creation of 3D, 2D and still images and video, computer software for storing data, namely, photographic and cinematographic recordings, flash memory cards, memory cards, namely, digital camera memory cards, blank smart cards, USB flash drive, blank hard discs, blank plastic cards with magnetic strip, blank video recording discs, blank compact discs and DVDs

### Services

#### Class 35

(1) advertising agency services, advertising the wares and services of others

**Class 41**

(2) creation of 3D, 2D, still and video images of third party products for use by such third parties in the advertising of their products, operation of photographic studios, creation of audiovisual presentations for use by third parties for their use in exhibitions and for educational purposes; photography consulting services

**Application Number** 1,829,604  
**Language of Application** English

**Filing Date** 2017-03-27

## APPLICANT AND AGENT DETAILS

### Applicant

Yoshiro Moriyama, carrying on business as  
Takumi Web Services  
75 Denarius Crescent  
Richmond Hill  
ONTARIO  
L4E0Z1

### Agent

BLAKE, CASSELS & GRAYDON LLP  
INTELLECTUAL PROPERTY GROUP, SUITE  
4000, COMMERCE COURT WEST, 199 BAY  
STREET, TORONTO, ONTARIO, M5L1A9

## TRADEMARK DETAILS

# TAKUMI

### Trademark Type

Word

### Foreign Character Translation

As provided by the applicant, this is a Japanese word meaning artisan, master or craftsman

### Goods

#### Class 09

computer software, namely, mobile applications for accessing, updating and receiving email, text, photos, images and video stored in an enterprise's computer database in real time, using a mobile device, namely smart phones and tablet computers; software, namely software development tools for the creation of online and offline applications for mobile devices namely mobile phones, smart phones, tablet computers, laptops, handheld computers, e-readers and desktop computers for Internet access and client network interfaces; software, namely applications for mobile devices namely mobile phones, smart phones, tablet computers, laptops, handheld computers, e-readers and desktop computers for Internet access and client network interfaces

### Services

#### Class 35

(1) search engine marketing for others to gain traffic and visibility from search engines and to optimize traffic and visibility, providing digital marketing services to promote the goods and services of others by providing marketing consulting in the field of social media marketing; computer consulting services and information technology services namely providing startup and maintenance support to assist others with the promotion of applications for mobile devices; consulting services to audit strategy, develop strategy, planning, and execution of social media marketing and advertising campaigns

#### Class 42

(2) computer services, namely, creating and maintaining web sites for others, designing and implementing web sites for others, managing web sites for others; computer consulting services for others, namely, the authoring, creation, and adaptation of application program software which provides web site functions, namely, the functions of a database, and the communication, display,

and the making available online of web pages; web site development for others, namely technical consultation in the area of digital content, online interactive media, and designing, creating, and implementing web sites for others, creation of web site architecture in the form of a site map to determine web site structure, creation of comprehensive web page layouts or design templates to determine the look and feel of a web site, implementation of web site design, web site text formatting, image manipulation and creation of digital image output files suitable for generating and displaying web pages; computer consulting services and information technology services namely providing startup and maintenance support to assist others with the design, development, deployment, and management of websites formatted for access via Internet; computer consulting services and information technology services namely providing startup and maintenance support to assist others with the design, development, deployment and management of applications for mobile devices

(3) design, development and distribution of mobile applications for others

**Application Number** 1,831,155  
**Language of Application** English

**Filing Date** 2017-04-05

## APPLICANT AND AGENT DETAILS

### Applicant

Facebook, Inc.  
1601 Willow Road  
Menlo Park, CA 94025  
UNITED STATES OF AMERICA

### Agent

SMART & BIGGAR LLP  
1100-150 York street, TORONTO, ONTARIO,  
M5H3S5

## TRADEMARK DETAILS

### Trademark Type

Design

### Visual Representation



### Goods

#### Class 09

application programming interface (API) for computer software which facilitates online services for social networking, building social networking applications and for allowing data retrieval, upload, download, access and management in the nature of graphs, charts, surveys, articles, spreadsheets, business management information, client, customer and business contact information, memoranda and instant messaging, file sharing, calendar synchronization, computer graphics, photographic images, audio books, news and radio podcasts, voice messages, movies, television programs, music videos, video messages, text messages and user uploaded video clips; computer software to enable uploading, downloading, accessing, posting, displaying, tagging, blogging, streaming, linking, sharing or otherwise providing electronic media or information in the nature of user-created text, video and audio content in the form of graphs, charts, surveys, articles, spreadsheets, business management information, client, customer and business contact information, memoranda and instant messaging, file sharing, calendar synchronization, computer graphics, photographic images, music, audio books, news and radio podcasts, voice messages, text messages and user upload video clips via computer and global communication networks; downloadable e-commerce computer software to allow users to perform electronic business

transactions via global computer and communication networks; software for sending electronic message alerts and reminders in the form of text messages, e-mail messages and instant messages via the Internet; software for transmitting orders and for sending and receiving electronic messages, namely, text messages, e-mail messages and instant messages via the Internet; downloadable computer software for modifying the appearance and enabling transmission of photographic images, audio visual and video content in the nature of user-created video and audio content in the form of computer graphics, photographic images, music, audio books, news and radio podcasts, voice messages, movies, television programs, music videos, video messages, text messages and user uploaded video clips; computer software for the collection, editing, organizing, modifying, transmission, storage and sharing of data and information in the nature of user-created text, video and audio content in the form of graphs, charts, surveys, articles, spreadsheets, business management information, client, customer and business contact information, memoranda and instant messaging, file sharing, calendar synchronization, computer graphics, photographic images, music audio books, news and radio podcasts, voice messages, movies, television programs, music videos, video messages, text messages and user uploaded video clips; computer search engine software

## **Services**

### **Class 38**

(1) photo sharing and video sharing services, namely, electronic transmission of digital photo files, videos and audio visual content in the nature of user-created video and audio content in the form of computer graphics, photographic images, music, audio books, news and radio podcasts, voice messages, movies, television programs, music videos, video messages, text messages and user uploaded video clips among internet users; providing access to computer, electronic and online databases in the fields of collaboration software platforms, business management, social media, politics, culture and finance; telecommunications services, namely, electronic transmission of data, messages, graphics, images, audio, video and information in the nature of user-created text, video and audio content in the form of graphs, charts, surveys, articles, spreadsheets, business information, client, customer and business contact information, memoranda and instant messaging, file sharing, calendar synchronization, computer graphics, photographic images, music, audio books, news and radio podcasts, voice messages, movies, television programs, music videos, video messages, text messages and user uploaded video clips; providing online forums for communication on topics of general interest in the field of enterprise collaboration software platforms, business management, social media, politics, culture and finance; providing online communications links which transfer mobile digital electronic device and Internet users to other local and global online interfaces, namely web interfaces and mobile interfaces; facilitating access to third party websites via a universal login; providing online chat rooms, email and instant messaging services, and electronic bulletin boards for transmission of messages among computer users; audio, text and video broadcasting services over computer networks and global communication networks, namely, uploading, posting, displaying, modifying, tagging, and electronically transmitting data, information, audio and video in the nature of user-created text, video and audio content in the form of graphs, charts, surveys, articles, spreadsheets, business management information, client, customer and business contact information, memoranda and instant messaging, file sharing, calendar synchronization, computer graphics, photographic images, music, audio books, news and radio podcasts, voice messages, movies, television programs, music videos, video messages, text messages and user uploaded video clips; voice over IP services; telephony communication services, namely, internet telephony services; providing access to computer databases in the fields of social networking, social introduction and dating

**Class 42**

(2) computer services, namely, creating virtual communities for registered users to organize groups, participate in discussions, get feedback from their peers, and engage in social networking and enterprise collaboration projects; computer services, namely, hosting online interfaces, namely web interfaces and mobile interfaces for others for organizing and conducting meetings, social events, enterprise collaboration projects, and interactive discussions via global communications networks; application service provider (ASP) services, namely, hosting computer software applications of others in the field of social and business networking; application service provider (ASP) featuring software to enable or facilitate the uploading, downloading, streaming, posting, displaying, blogging, linking, modifying, sharing or otherwise providing electronic media or information in the nature of user-created text, video and audio content in the form of graphs, charts, surveys, articles, spreadsheets, business management information, client, customer and business contact information, memoranda and instant messaging, file sharing calendar synchronization, computer graphics, photographic images, music, audio books, news and radio podcasts, voice messages, movies, television programs, music videos, video messages, text messages and user uploaded video clips over global communication networks; providing online interfaces, namely web interfaces and mobile interfaces for others featuring software that enables online users to create personal profiles featuring social networking and enterprise collaboration project information and to transfer and share such information among multiple online interfaces, namely web interfaces and mobile interfaces; providing information from searchable indexes and databases of information, namely, providing search engine services to third party users; providing temporary use of non-downloadable software applications for social networking, creating a virtual community, and transmission of audio, video, photographic images, text, graphics and data in the nature of user-created text, video and audio content in the form of graphs, charts, surveys, articles, spreadsheets, business management information, client, customer and business contact information, memoranda and instant messaging, file sharing, calendar synchronization, computer graphics, photographic images, music, audio books, news and radio podcasts, voice messages, movies, television programs, music videos, video messages, text messages and user uploaded video clips; computer services in the nature of customized online pages for others featuring user-defined and specified information and personal profiles; computer services, namely, providing search engines for obtaining data on global computer and communication networks; providing non-downloadable e-commerce software to allow users to perform electronic business transactions via global computer and communication networks; software as a service (SAAS) services featuring software for sending electronic message alerts and sending and receiving electronic messages, all in the form of text messages, e-mail messages and instant messages, and via a global computer network; platform as a service (PAAS) services featuring computer software platforms that allows businesses, organizations and individuals to create and manage their online presences and to communicate with online users information regarding their products and services and engage in social networking and enterprise collaboration projects; providing search engines for obtaining data via global communications networks; providing online interfaces, namely web interfaces and mobile interfaces for others that give users the ability to upload, modify and share audio, video, photographic images, text, graphics and data in the nature of user-created text, video and audio content in the form of graphs, charts, surveys, articles, spreadsheets, business management information, client, customer and business contact information, computer graphics, photographic images, music, audio books, news and radio podcasts, voice messages, movies, television programs, music videos, video messages, text messages and user uploaded video clips; operating search engines; computer services, namely, providing interactive online interfaces, namely web interfaces and mobile interfaces, for others featuring software that allows users to manage their

online audio and visual data, in the nature of user-created text, video and audio content in the form of graphs, charts, surveys, articles, spreadsheets, business management information, client, customer and business contact information, computer graphics, photographic images, music, audio books, news and radio podcasts, voice messages, movies, television programs, music videos, video messages, text messages and user uploaded video clips and social networking and enterprise collaboration accounts which facilitate collaborative computing by allowing multiple users to use the same account; providing online interfaces, namely web interfaces and mobile interfaces featuring software for modifying the appearance and enabling transmission of audio, video, photographic images, text, graphics and data in the nature of user-created text, video and audio content in the form of graphs, charts, surveys, articles, spreadsheets, business management information, client, customer and business contact information, computer graphics, photographic images, music, audio books, news and radio podcasts, voice messages, movies, television programs, music videos, video messages, text messages and user uploaded video clips; file sharing services, namely, providing online interfaces, namely web interfaces and mobile interfaces, featuring software enabling users to upload and download electronic files in the nature of user-created text, video and audio content in the form of graphs, charts, surveys, articles, spreadsheets, business management information, client, customer and business contact information, computer graphics, photographic images, music, audio books, news and radio podcasts, voice messages, movies, television programs, music videos, video messages, text messages and user uploaded video clips; providing user authentication services, namely, providing user authentication of personal identification information using single sign-on and software technology in e-commerce transactions; providing user authentication, namely, providing user authentication of personal identification information using single sign-on and software technology for electronic funds transfer, credit and debit card and electronic check transactions via a global computer network

### **Class 45**

(3) Internet based social introduction and networking services; providing online social networking services and information in the field of personal development, namely, spirituality, self-help and personal empowerment subject matters charitable, philanthropic, volunteer, public and community services, and humanitarian activities

### **Claims**

Priority Filing Date: October 07, 2016, Country or Office: JAMAICA, Application No: 071062 in association with the same kind of goods and in association with the same kind of services



**Application Number** 1,833,442  
**Language of Application** English

**Filing Date** 2017-04-19

## APPLICANT AND AGENT DETAILS

### Applicant

Rapidgrow Industries Inc.  
20203 113B Ave  
Maple Ridge  
BRITISH COLUMBIA  
V2X0Z1

### Agent

ERIC MOLLEMA  
(Centra Lawyers LLP), 102-20110 Lougheed  
Highway, Maple Ridge, BRITISH COLUMBIA,  
V2X2P7

## TRADEMARK DETAILS

# SUPERNATURAL GRO TERRA

### Trademark Type

Word

### Goods

#### Class 01

growing media for plants; plant food; plant growth regulating preparations; plant growth regulators; plant growth regulators for agricultural use; plant nutrients; plant nutrition preparations; preparations for fortifying plants; substances for regulating plant growth

**Application Number** 1,833,451  
**Language of Application** English

**Filing Date** 2017-04-19

## APPLICANT AND AGENT DETAILS

### Applicant

Rapidgrow Industries Inc.  
20203 113B Ave  
Maple Ridge  
BRITISH COLUMBIA  
V2X0Z1

### Agent

ERIC MOLLEMA  
(Centra Lawyers LLP), 102-20110 Lougheed  
Highway, Maple Ridge, BRITISH COLUMBIA,  
V2X2P7

## TRADEMARK DETAILS

# SUPERNATURAL GRO AQUA

### Trademark Type

Word

### Goods

#### Class 01

growing media for plants; plant food; plant growth regulating preparations; plant growth regulators; plant growth regulators for agricultural use; plant nutrients; plant nutrition preparations; preparations for fortifying plants; substances for regulating plant growth

**Application Number** 1,833,464  
**Language of Application** English

**Filing Date** 2017-04-19

## APPLICANT AND AGENT DETAILS

### Applicant

Rapidgrow Industries Inc.  
20203 113B Ave  
Maple Ridge  
BRITISH COLUMBIA  
V2X0Z1

### Agent

ERIC MOLLEMA  
(Centra Lawyers LLP), 102-20110 Lougheed  
Highway, Maple Ridge, BRITISH COLUMBIA,  
V2X2P7

## TRADEMARK DETAILS

# SUPERNATURAL GREEN STAY

### Trademark Type

Word

### Goods

#### Class 01

growing media for plants; plant food; plant growth regulating preparations; plant growth regulators; plant growth regulators for agricultural use; plant nutrients; plant nutrition preparations; preparations for fortifying plants; substances for regulating plant growth

**Application Number** 1,833,470  
**Language of Application** English

**Filing Date** 2017-04-19

## APPLICANT AND AGENT DETAILS

### Applicant

Rapidgrow Industries Inc.  
20203 113B Ave  
Maple Ridge  
BRITISH COLUMBIA  
V2X0Z1

### Agent

ERIC MOLLEMA  
(Centra Lawyers LLP), 102-20110 Lougheed  
Highway, Maple Ridge, BRITISH COLUMBIA,  
V2X2P7

## TRADEMARK DETAILS

# SUPERNATURAL MICRO BURST

### Trademark Type

Word

### Goods

#### Class 01

growing media for plants; plant food; plant growth regulating preparations; plant growth regulators; plant growth regulators for agricultural use; plant nutrients; plant nutrition preparations; preparations for fortifying plants; substances for regulating plant growth

**Application Number** 1,833,473  
**Language of Application** English

**Filing Date** 2017-04-19

## APPLICANT AND AGENT DETAILS

### Applicant

Rapidgrow Industries Inc.  
20203 113B Ave  
Maple Ridge  
BRITISH COLUMBIA  
V2X0Z1

### Agent

ERIC MOLLEMA  
(Centra Lawyers LLP), 102-20110 Lougheed  
Highway, Maple Ridge, BRITISH COLUMBIA,  
V2X2P7

## TRADEMARK DETAILS

# SUPERNATURAL ENORMOUS

### Trademark Type

Word

### Goods

#### Class 01

growing media for plants; plant food; plant growth regulating preparations; plant growth regulators; plant growth regulators for agricultural use; plant nutrients; plant nutrition preparations; preparations for fortifying plants; substances for regulating plant growth

**Application Number** 1,833,474  
**Language of Application** English

**Filing Date** 2017-04-19

## APPLICANT AND AGENT DETAILS

### Applicant

Rapidgrow Industries Inc.  
20203 113B Ave  
Maple Ridge  
BRITISH COLUMBIA  
V2X0Z1

### Agent

ERIC MOLLEMA  
(Centra Lawyers LLP), 102-20110 Lougheed  
Highway, Maple Ridge, BRITISH COLUMBIA,  
V2X2P7

## TRADEMARK DETAILS

# SUPERNATURAL RAPIDGROW

### Trademark Type

Word

### Goods

#### Class 01

growing media for plants; plant food; plant growth regulating preparations; plant growth regulators; plant growth regulators for agricultural use; plant nutrients; plant nutrition preparations; preparations for fortifying plants; substances for regulating plant growth

**Application Number** 1,833,726  
**Language of Application** English

**Filing Date** 2017-04-20

## APPLICANT AND AGENT DETAILS

### Applicant

West One Real Estate Marketing  
203 - 3855 Henning Drive  
Burnaby  
BRITISH COLUMBIA  
V5C6N3

### Agent

LAWSON LUNDELL LLP  
1600 CATHEDRAL PLACE, 925 WEST  
GEORGIA STREET, VANCOUVER, BRITISH  
COLUMBIA, V6C3L2

## TRADEMARK DETAILS

# SOUTHGATE CONDOS

### Trademark Type

Standard Characters

### Services

#### Class 35

(1) real estate marketing services for others, namely, developing promotional campaigns, selling, conducting market research and advertising real estate; providing information in the field of the purchase of real estate via a website; advertising for others via the internet, condominium, townhouses and homes which are for sale or rent

#### Class 36

(2) real estate services, namely advising on the purchase and sale of real estate; providing information on purchasing and selling condominiums and other real estate via a website; providing real estate information, namely, listings of resale properties via a website;

**Application Number** 1,834,090  
**Language of Application** English

**Filing Date** 2017-04-24

## APPLICANT AND AGENT DETAILS

### Applicant

Ecolab USA Inc.  
1 Ecolab Place  
St. Paul  
Minnesota 55102  
UNITED STATES OF AMERICA

### Agent

COLLEEN SPRING ZIMMERMAN  
(FOGLER, RUBINOFF LLP), 77 KING  
STREET WEST, SUITE 3000, P.O. Box 95,  
TORONTO-DOMINION CENTRE, TORONTO,  
ONTARIO, M5K1G8

## TRADEMARK DETAILS

# PARETO

### Trademark Type

Standard Characters

### Goods

#### Class 07

Machines for use in the water treatment industry, namely optimizers for injecting chemicals into industrial process streams; mixing systems for use in the water treatment industry comprised of optimizers, pumps, flow meters, hoses and valves for mixing chemicals into industrial process systems

### Services

#### Class 42

Custom design and engineering of mixing systems for chemical injection processes for the water treatment industry

### Claims

Priority Filing Date: April 20, 2017, Country or Office: UNITED STATES OF AMERICA, Application No: 87/419,251 in association with the same kind of goods and in association with the same kind of services



**Application Number** 1,834,397  
**Language of Application** English

**Filing Date** 2017-04-25

## APPLICANT AND AGENT DETAILS

### Applicant

Mubadala Trade Marks Holding Company - LLC  
P.O. Box 45005  
Abu Dhabi  
UNITED ARAB EMIRATES

### Agent

BORDEN LADNER GERVAIS LLP  
World Exchange Plaza, 100 Queen Street,  
Suite 1300, Ottawa, ONTARIO, K1P1J9

## TRADEMARK DETAILS

### Trademark Type

Design

### Visual Representation



### Foreign Character Translation

As provided by the applicant, the translation of the Arabic word(s) MUBADALA is BARTER.

### Goods

#### Class 02

(1) artists paints

#### Class 16

(2) Paper; cardboard; goods made from paper, namely, paper labels, paper tape, folders for paper; goods made from cardboard, namely, packing cardboard, padding materials of cardboard, packing boxes of cardboard, coasters of cardboard, cardboard signboards, cardboard boxes and cartons; printed matter, namely, books in the field of real estate and finance; bookbinding material; printed photographs; stationery, namely, paper stationery, envelopes for stationery use; note pads; adhesives for stationery and household purposes; artists' materials, namely, pastels, pencils, pens, and paint brushes; typewriters; office requisites, namely, binders, office paper stationery; printed teaching materials namely, manuals, books, guides, newsletters, in the field of insurance, real estate and finance oil-field exploration, information and telecommunications technology, biological research, geological research and environmental protection; plastic materials for packaging, namely, plastic flexible packaging film sold in bulk to industrial and commercial manufacturers; printers' type; printing blocks

#### Class 25

(3) Clothing, namely, shirts, pants, skirts, dresses, shorts, jackets, socks; footwear, namely, shoes, boots, slippers and sandals; headgear, namely, hats, baseball caps, sun visors

#### Class 28

(4) Games and playthings, namely, game cards, video game consoles, board games, dolls; sporting articles, namely, sport balls, golf balls, golf clubs; playing cards; decorations for Christmas trees

## **Services**

### **Class 35**

(1) Advertising and business management consultancy; business management; business administration services; providing office functions, namely, photocopying; bookkeeping services; advertising the goods and services of others

### **Class 36**

(2) Insurance; financial affairs, namely, insurance services, insurance brokerage services, insurance agency services, insurance consultancy, financial affairs, namely, financial analysis, financial analysis consultation services, financial investment brokerage, financial investment counselling, financial management services; financial analysis and research services; money lending, currency exchange; providing real estate services, namely, real estate appraisal and valuation, real estate brokerage, real estate consultancy, real estate financing services, real estate investment, real estate management, real estate procurement for others

### **Class 37**

(3) Building construction; building repair; providing installation services, namely, installation of elevators and lifts, building scaffolds, installation of electrical systems, home appliances, and windows

### **Class 40**

(4) Fuel treatment services; waste management services, namely, waste sorting services and waste disposal services, waste sorting services, waste disposal services; treatment of recycled chemicals; treatment of metals, namely, heat treatment of metals, application of wear-restraint coatings on metals, laser scribing of metals, metal fabrication and finishing services, metal melting services, metal plating, metal tempering; water treatment and purification, namely, waste water treatment and purification, water demineralization, waste water reprocessing, water recycling; treatment of industrial toxic materials, namely, treatment of industrial toxic waste, destruction of industrial toxic waste, incineration of industrial toxic waste, recycling of industrial toxic waste, sorting of industrial toxic waste; oil well prospecting, namely, oil spill treatment; providing waste treatment information to others via a website; providing office functions, namely, alteration and retouching of photographic images

### **Class 42**

(5) research and design in the fields of aerospace engineering, medical care and analysis services relating to patient treatment, computers and computer networks, metals and mining, petrochemical exploration, oil refining, precious metal refining and engineering, namely chemical engineering, civil engineering, mechanical engineering, renewable energy, namely solar energy, wind energy, and public utilities, namely electricity generation, public transit, postal services; industrial analysis and research in the fields of aerospace engineering, medical care and analysis services relating to patient treatment, computers and computer networks, metals and mining, petrochemical exploration, oil refining, engineering, renewable energy, namely solar energy, wind energy, and public utilities, namely precious metal refining, and engineering namely chemical engineering, civil engineering, mechanical electricity generation, public transit, postal services; design and

development of computer hardware and software; providing office functions, namely, computer aided imaging, scanning of photographic images and documents, and digitalization of photographic images and documents

**Class 45**

(6) legal services

**Application Number** 1,836,173  
**Language of Application** English

**Filing Date** 2017-05-05

## APPLICANT AND AGENT DETAILS

### Applicant

Grass America Inc.  
1202 Highway 66 South  
Kernersville, NC 27284  
UNITED STATES OF AMERICA

### Agent

NORTON ROSE FULBRIGHT CANADA LLP/S.  
E.N.C.R.L., S.R.L.  
1, Place Ville Marie, Suite 2500, Montreal,  
QUEBEC, H3B1R1

## TRADEMARK DETAILS

# ZBox

### Trademark Type

Word

### Goods

#### Class 06

(1) Chains, metal wire and wires of common metal; Fittings of metal for beds; Baskets of common metal; Fittings of metal for furniture; Furniture casters of metal; Signboards of metal; Keys; Buckles of common metal; Chests of metal for food; Fittings and ties of metal for furniture; Frames of metal for furniture; Insert frames of metal for furniture; Side covers for insert frames of metal for furniture; Adjustable fittings of metal for furniture, in particular front panel adjustment mechanisms for drawer runners; Underfloor channels for drawers of metal; Metal hardware for furniture, in particular wires, Springs, Hooks, Clips, Sleeves and Studding; Dowels of metal for furniture; Screws of metal for furniture; Opening and closing mechanisms for furniture; Parts of drawers, made or mainly made of metal, being parts of furniture; Metal frames for furniture; Metal furniture hinges; Metal guide rails and metal runner slides for drawers; Metal guide rails and metal runner slides for drawers with damping means; Metal insert frames for furniture; Adjustable metal fittings, for furniture, in particular front panel adjustment mechanisms for drawer runners; Handle-free opening mechanisms of metal, for furniture; Handle-free opening mechanisms of metal, for drawers, doors and shutters; Drawers with undermount runners, made or mainly made of metal; Drawer parts with undermount runners, made or mainly made of metal; Buffer devices for furniture and parts therefor, namely devices for closing and stopping doors, windows and drawers softly, mainly of metal; Metal push-to-open fittings; Metal touch latch fittings; Fittings with drive devices for furniture, namely fittings for opening and closing drawers, doors and windows and furniture cabinets, wholly or mainly of metal; Metal opening and closing mechanisms for furniture.

#### Class 07

(2) Electric motors for machines; Machine coupling and transmission components; Transmission shafts, other than for land vehicles for use in relation to furniture; Driving motors other than for land vehicles for use in relation to furniture; Hydraulic controls for machines, motors and engines for use in relation to furniture; Pneumatic controls for machines, motors and engines for use in relation to furniture; Joints for furniture; Compressed air pumps; Gears for use in relation to furniture; Lifting apparatus, namely for use with or in furniture; Ball-bearings; Ball rings for bearings; Crank shafts; Waste disposals; Grease rings; Self-oiling bearings; Drive devices for furniture and parts therefor, namely electric, hydraulic or pneumatic motor drive unit; Fittings with drive devices,

namely fittings for opening and closing drawers, doors and windows; Underfloor channels for furniture with drive devices, for opening and closing of furniture parts, namely doors, windows and drawers.

### **Class 20**

(3) Mirrors (silvered glass); Picture frames; Containers, namely boxes of wood and plastic, and closures and holders therefor; Dinner wagons; Medicine cabinets; Inflatable furniture; Trestle tables; Benches; Beds; Book rests; Library shelves; Sideboards; Dinner wagons; Office furniture; Boxes of wood or plastic; Shelves for filing-cabinets; Furniture shelves; Plate racks; Edgings of plastics for furniture; Edgings for furniture not of metal; Carts for computers; Index cabinets; Chests, not of metal; High chairs for babies; Clothes hooks, not of metal; non-métal door handles; Chests of drawers; Bolsters; Head-rests; Furniture of metal; Furniture fittings, not of metal; Furniture partitions of wood; Furniture casters, not of metal; Doors for furniture; Furniture screens; Storage racks; Signboards of wood or plastics; Locks for furniture, other than electric, not of metal; Keyboards for hanging keys; Cupboards; Desks; Drawers; Trolleys; Sofas; Meat chests, not of metal; Standing desks; Tables; Tables of metal; Table tops; Dressing tables; Step stools, not of metal; Washstands; Parts of drawers, not or mainly not of metal, being parts of furniture; Parts of cupboards (furniture); Furniture shelves; Frames, for furniture not or mainly not of metal, being parts of furniture; Frames, not of metal, for furniture; Furniture fittings, not of metal; Furniture hinges, not or mainly not of metal; Furniture hinges, not of metal; Guide rails and runner slides for drawers, not or mainly not of metal, for drawers; Guide rails and runner slides for drawers, not of metal; Guide rails and runner slides for drawers with damping means; Insert frames, for furniture, not or mainly not of metal, being parts of furniture; Insert frames, not of metal, for furniture; Side covers, not or mainly not of metal, for insert frames, for furniture; Side covers for insert frames, not of metal, for furniture; Adjustable fittings, not or mainly not of metal, for furniture, in particular front panel adjustment mechanisms for drawer runners; Adjustable fittings, not of metal, for furniture, in particular front panel adjustment mechanisms for drawer runners; Handle-free opening mechanisms, not or mainly not of metal, for furniture; Handle-free opening mechanisms, not of metal, for furniture; Handle-free opening mechanisms, not or mainly not of metal, for drawers, doors and shutters; Handle-free opening mechanisms, not of metal, for drawers, doors and shutters; Drawers with undermount runners, not or mainly not of metal; Drawer parts with undermount runners, not or mainly not of metal; Parts of plastic, namely, rollers, roller carriages, buffers, sprockets for underfloor channels for drawers; Parts of plastic, namely, rollers, roller carriages, buffers, sprockets for underfloor channels for drawers with underfloor channels; Parts of plastic, namely, rollers, roller carriages, sprockets for underfloor channels for drawer parts with underfloor channels; Buffer devices for furniture and parts therefor, namely devices for closing and stopping doors, windows and drawers softly, not or mainly not of metal; Compartments, for furniture, in particular compartment and drawer dividing elements, cutlery inserts, spice racks and knife racks; Push-to-open fittings, not or mainly not of metal; Touch latch fittings, not or mainly not of metal; Furniture with drive devices, namely for drawers, doors and windows; Fittings with drive devices for furniture, namely fittings for opening and closing drawers, doors and windows and furniture cabinets, not or mainly not of metal; Underfloor channels with drive devices for furniture for opening and closing of furniture parts, namely doors, windows and drawers; Non-metal opening and closing mechanisms for furniture

### **Claims**

Priority Filing Date: November 25, 2016, Country or Office: UNITED STATES OF AMERICA, Application No: 87/248021 in association with the same kind of goods

**Application Number** 1,837,424  
**Language of Application** French

**Filing Date** 2017-05-12

## APPLICANT AND AGENT DETAILS

### Applicant

EVALAUTO Inc.  
2059 Rue King O  
Sherbrooke  
QUÉBEC  
J1J2E9

### Agent

RONALD FECTEAU  
(Monty Sylvestre, Conseillers juridiques inc.),  
455, rue King Ouest, bureau 200, Sherbrooke,  
QUÉBEC, J1H6E9

## TRADEMARK DETAILS

### Trademark Type

Design

### Visual Representation



### Goods

#### Class 09

Computer software for accumulating, classifying and analyzing automotive data for the management and sale of an inventory of used automobiles.

### Services

#### Class 42

Platform as a service offerings providing access to and use of computer software for accumulating, classifying, and analyzing automotive data for the purpose of managing and selling an inventory of used automobiles.

**Application Number** 1,837,915  
**Language of Application** English

**Filing Date** 2017-05-16

## APPLICANT AND AGENT DETAILS

### Applicant

Svenska Cellulosa Aktiebolaget SCA (publ)  
Skepparplatsen 1  
881 88 Sundsvall  
SWEDEN

### Agent

BORDEN LADNER GERVAIS LLP  
ATTN: INTELLECTUAL PROPERTY  
DEPARTMENT, 1000 DE LA GAUCHETIERE  
STREET WEST, SUITE 900, MONTREAL,  
QUEBEC, H3B5H4

## TRADEMARK DETAILS

### Trademark Type

Design

### Visual Representation



### Goods

#### Class 09

(1) Computers; computer servers; downloadable computer software applications for use in product distribution and transportation logistics; downloadable computer software applications for quality improvement in the field of transportation and logistics services; computer software for global positioning systems; downloadable computer software applications for planning, locating, and transmitting delivery route maps, drop spot maps, vehicle location information, road maps, and current road condition information, including traffic congestion, road construction zones, speed limits, distances between locations, and detours, all in the field of transportation and logistics services; downloadable computer software applications for receiving and sorting purchase orders.

#### Class 16

(2) Paper; Paper, namely, printing paper, writing paper, newsprint paper; fine paper; paper, namely, paper for making books, newspapers, catalogues, and magazines for use in a wide variety of fields; cardboard; paperboard; paper and plastic bags and sacks for packaging; paper tray and paper cup material with and without plastic covers for packaging; cardboard and paper boxes;

plastic, namely, bags, film, rigid plastic packaging, and bubble packs for packaging; paper-based packaging boxes, tubes, and containers; wrapping paper.

#### **Class 19**

(3) Building materials [non-metallic] namely, timber, timber boarding, structural timber, timber for furniture and joinery, and timber for gardens and landscaping.

#### **Class 22**

(4) Covers made of paper with plastic backing in the nature of a drop cloth.

#### **Services**

#### **Class 35**

(1) Business management; business management consulting in the field of logistics; supply chain management services; business management services, namely, inventory management; business consulting services, namely, strategic decision-making; business consulting services, namely, business cost efficiency consulting; business consulting services, namely, business analysis and strategic planning consulting; business information services provided through software, mobile software applications, online computer databases, and the internet, in the field of transportation and logistics services; database management, namely, systemizing of data into computer databases; providing commercial and business information about import and export agencies; providing commercial and business information about customs clearing services; administration services, namely, customs clearing services.

#### **Class 39**

(2) Transport of goods by air, rail, ship, truck; stevedoring services; freight-forwarding services; shipping services, namely, transportation of packages and letters by air, rail, ship, truck; parcel shipping services; packaging articles for transportation; packing, crating, and warehousing services; warehouse storage services; public utility services in the form of electricity distribution; fuel delivery services; delivery of fuel; storage of fuels; transportation logistics services, namely, planning and scheduling shipments for users of transportation; freight logistics management services; transportation and logistics services, namely, arranging the transportation of goods for others; transportation and logistics management services.

#### **Class 40**

(3) Electricity generating; Preparing of oil, gas, and natural resources and fuels for the production of energy and electricity, namely, oil refinery services and timber felling and logging; provision of technical information in the field of manufacture of paper.

#### **Class 42**

(4) Analysis of industrial fluids; scientific research services in the paper and pulp and energy industry; design of stationery; web-hosting, namely, hosting the websites of others; website hosting services; providing online software for tracking shipments of goods; software as a service (SaaS) services featuring software for tracking shipments of goods; leasing of computer software; providing temporary use of non-downloadable software applications accessible via the internet for tracking shipments of goods.

#### **Claims**

Priority Filing Date: May 05, 2017, Country or Office: EUIPO (EU), Application No: 016681711 in association with the same kind of goods and in association with the same kind of services



**Application Number** 1,837,920  
**Language of Application** English

**Filing Date** 2017-05-16

## APPLICANT AND AGENT DETAILS

### Applicant

Svenska Cellulosa Aktiebolaget SCA (publ)  
Skepparplatsen 1  
881 88 Sundsvall  
SWEDEN

### Agent

BORDEN LADNER GERVAIS LLP  
ATTN: INTELLECTUAL PROPERTY  
DEPARTMENT, 1000 DE LA GAUCHETIERE  
STREET WEST, SUITE 900, MONTREAL,  
QUEBEC, H3B5H4

## TRADEMARK DETAILS

### Trademark Type

Design

### Visual Representation



### Goods

#### Class 09

(1) Computers; computer servers; downloadable computer software applications for use in product distribution and transportation logistics; downloadable computer software applications for quality improvement in the field of transportation and logistics services; computer software for global positioning systems; downloadable computer software applications for planning, locating, and transmitting delivery route maps, drop spot maps, vehicle location information, road maps, and current road condition information, including traffic congestion, road construction zones, speed limits, distances between locations, and detours, all in the field of transportation and logistics services; downloadable computer software applications for receiving and sorting purchase orders.

#### Class 16

(2) Paper; Paper, namely, printing paper, writing paper, newsprint paper; fine paper; paper, namely, paper for making books, newspapers, catalogues, and magazines for use in a wide variety of fields; cardboard; paperboard; paper and plastic bags and sacks for packaging; paper tray and paper cup material with and without plastic covers for packaging; cardboard and paper boxes; plastic, namely, bags, film, rigid plastic packaging, and bubble packs for packaging; paper-based packaging boxes, tubes, and containers; wrapping paper.

#### Class 19

(3) Building materials [non-metallic] namely, timber, timber boarding, structural timber, timber for furniture and joinery, and timber for gardens and landscaping.

#### Class 22

(4) Covers made of paper with plastic backing in the nature of a drop cloth.

**Services****Class 35**

(1) Business management; business management consulting in the field of logistics; supply chain management services; business management services, namely, inventory management; business consulting services, namely, strategic decision-making; business consulting services, namely, business cost efficiency consulting; business consulting services, namely, business analysis and strategic planning consulting; business information services provided through software, mobile software applications, online computer databases, and the internet, in the field of transportation and logistics services; database management, namely, systemizing of data into computer databases; providing commercial and business information about import and export agencies; providing commercial and business information about customs clearing services; administration services, namely, customs clearing services.

**Class 39**

(2) Transport of goods by air, rail, ship, truck; stevedoring services; freight-forwarding services; shipping services, namely, transportation of packages and letters by air, rail, ship, truck; parcel shipping services; packaging articles for transportation; packing, crating, and warehousing services; warehouse storage services; public utility services in the form of electricity distribution; fuel delivery services; delivery of fuel; storage of fuels; transportation logistics services, namely, planning and scheduling shipments for users of transportation; freight logistics management services; transportation and logistics services, namely, arranging the transportation of goods for others; transportation and logistics management services.

**Class 40**

(3) Electricity generating; Preparing of oil, gas, and natural resources and fuels for the production of energy and electricity, namely, oil refinery services and timber felling and logging; provision of technical information in the field of manufacture of paper.

**Class 42**

(4) Analysis of industrial fluids; scientific research services in the paper and pulp and energy industry; design of stationery; web-hosting, namely, hosting the websites of others; website hosting services; providing online software for tracking shipments of goods; software as a service (SaaS) services featuring software for tracking shipments of goods; leasing of computer software; providing temporary use of non-downloadable software applications accessible via the internet for tracking shipments of goods.

**Claims**

Priority Filing Date: May 05, 2017, Country or Office: EUIPO (EU), Application No: 016681736 in association with the same kind of goods and in association with the same kind of services

**Application Number** 1,838,463  
**Language of Application** English

**Filing Date** 2017-05-18

## APPLICANT AND AGENT DETAILS

### Applicant

Shift4 Corporation  
1419 Center Crossing Road  
Las Vegas, NV 89144  
UNITED STATES OF AMERICA

### Agent

SMART & BIGGAR LLP  
SUITE 900, 55 METCALFE STREET, P.O.  
BOX 2999, STATION D, OTTAWA, ONTARIO,  
K1P5Y6

## TRADEMARK DETAILS

# METATOKEN

### Trademark Type

Word

### Services

#### Class 35

(1) computer services, namely, providing information in the field of conducting data analytics for marketing and loyalty programs while securely storing electronic payment information and cardholder payment data via a website

#### Class 36

(2) computer services, namely, providing payment processing services, namely, credit card, debit card and card payment transaction processing services and managing electronic payment information and cardholder payment data via an internet-based system

#### Class 38

(3) computer services, namely, providing electronic transmission of credit and debit card transaction data and electronic payment data via a global computer network; computer services, namely, providing on-line security services for processing electronic payment transactions by replacing cardholder payment data with a unique identifier associated with an electronic payment transaction and enabling merchants to process an electronic payment transaction using the unique identifier; computer services, namely, providing access to a website for securely storing electronic payment information and cardholder payment data; computer services, namely, providing information in the field of securely storing electronic payment information and cardholder payment data via a website; computer services, namely, providing access to a website for conducting data analytics for marketing and loyalty programs while securely storing electronic payment information and cardholder payment data

#### Class 42

(4) computer services, namely, hosting a website for securely storing electronic payment information and cardholder payment data; computer services, namely, hosting a website for conducting data analytics for marketing and loyalty programs while securely storing electronic payment information and cardholder payment data; computer services, namely, providing on-line security services for processing electronic payment transactions by replacing cardholder payment data with a unique identifier associated with an electronic payment transaction and thereby enabling merchants to process an electronic payment transaction using the unique identifier;

Software as a service (SaaS) featuring software for managing electronic payment information and cardholder payment data via an internet-based system, namely a website

**Claims**

Priority Filing Date: April 12, 2017, Country or Office: UNITED STATES OF AMERICA, Application No: 87/408,800 in association with the same kind of services

**Application Number** 1,838,505  
**Language of Application** French

**Filing Date** 2017-05-18

## APPLICANT DETAILS

### Applicant

Marie-Helene Linteau  
37 Rue Du Mont-Saint-Pierre  
Oka  
QUÉBEC  
J0N1E0

## TRADEMARK DETAILS

### Trademark Type

Design

### Visual Representation



### Goods

#### Class 11

(1) Ceramic oil lamps; ceramic electric lamps.

#### Class 16

(2) Paintings and calligraphic works; mounted and unmounted photographs; murals.

#### Class 19

(3) Ceramic artwork, namely free-standing, suspended and wall-mounted sculptures.

#### Class 20

(4) Book holders.

#### Class 21

(5) Plates for hors d'oeuvre; cake stands; serving plates; bowls; fruit bowls; salad bowls; sauce bowls; soup bowls; tea caddies; flower pot covers; egg cups; fruit cups; growers; tumblers; mugs; ceramic mugs; coffee mugs; oil cruets; small jugs; cheese boards; decorative plaques; serving trays; platters; pottery; pots; ramekins; coasters; sugar bowls; cups; cups and mugs; coffee cups; tea cups; vases; kitchen urns; flower vases and bowls; flower vases; cocktail glasses; sake cups.

#### Class 28

(6) Board games.

**Services**

**Class 35**

(1) Online sale of arts and crafts; sale of artisanal goods online, at craft fairs and in-person, by appointment.

**Class 40**

(2) Manufacture of decorative, practical and sculptural ceramic objects (made in small batches or as one-offs) using techniques such as throwing, forming and moulding, namely tool storage containers, food storage containers and lidded boxes, and custom manufacture of pottery goods and customization of shapes, sizes and decorations to the order and specification of others.

**Class 41**

(3) Pottery instruction.

**Class 42**

(4) Design and production of decorative, practical and sculptural ceramic objects (made in small batches or as one-offs) using techniques such as throwing, forming and moulding, namely tool storage containers, food storage containers and lidded boxes.

**Application Number** 1,838,947  
**Language of Application** English

**Filing Date** 2017-05-23

## APPLICANT DETAILS

**Applicant**  
SOTH INC.  
1-6503 67 St  
Red Deer  
ALBERTA  
T4P1A3

## TRADEMARK DETAILS

# Visual Book

**Trademark Type**  
Word

**Services**

**Class 38**

Providing access to an online appointment scheduling system via non-downloadable software through a website which enables patients and practitioners in the medical field to view a practitioner's availability and book appointments and which interfaces directly with the clinic's electronic schedule contained within the practice management software of the medical practitioners.

**Application Number** 1,838,948  
**Language of Application** English

**Filing Date** 2017-05-23

## APPLICANT DETAILS

**Applicant**  
SOTH INC.  
1-6503 67 St  
Red Deer  
ALBERTA  
T4P1A3

## TRADEMARK DETAILS

# Visual Connect

**Trademark Type**  
Word

### Services

#### Class 38

Providing access to an online web portal capable of sending a variety of customizable messages and reminders for appointments, patient prescription orders, and updates in the field of the operation of the medical practice, namely, notifications sent via email, text message (SMS), and automated telephone voice message from the medical practice to their patients



**Application Number** 1,838,949  
**Language of Application** English

**Filing Date** 2017-05-23

## APPLICANT DETAILS

**Applicant**  
SOTH INC.  
1-6503 67 St  
Red Deer,  
ALBERTA  
T4P1A3

## TRADEMARK DETAILS

# Visual Care

**Trademark Type**  
Word

**Services**

**Class 38**

Providing access to an online web portal for patients of a medical clinic to access and update their records, namely, contact information, patient history, appointments, prescriptions, invoices and enabling the online ordering of medical supplies.

**Application Number** 1,840,076  
**Language of Application** English

**Filing Date** 2017-05-31

## APPLICANT AND AGENT DETAILS

### Applicant

Telix Pharmaceuticals Limited  
Suite 226, 55 Flemington Road  
North Melbourne VIC 3051  
AUSTRALIA

### Agent

BORDEN LADNER GERVAIS LLP  
World Exchange Plaza, 100 Queen Street,  
Suite 1300, Ottawa, ONTARIO, K1P1J9

## TRADEMARK DETAILS

# TELIX PHARMACEUTICALS

### Trademark Type

Standard Characters

### Goods

#### Class 01

(1) Chemicals for pharmaceutical use, namely, chemical additives for use in the manufacture of pharmaceuticals

#### Class 05

(2) Pharmaceutical drugs for the treatment of cancer; Pharmaceutical preparations for the treatment and diagnosis of cancer; Radiopharmaceutical products, namely, radioactive compounds administered to the patient, and monitored via specific imaging devices, for diagnosis and therapeutic purposes;

#### Class 10

(3) Apparatus for administering pharmaceuticals, namely, injection needles and syringes used to facilitate the diagnosis and treatment of cancer; Apparatus for medical purposes, namely, injection needles and injection syringes, radiological equipment; Apparatus for the treatment of cancer, namely, linear accelerator; Diagnostic imaging apparatus for medical use, namely, magnetic resonance imaging diagnostic apparatus; Pharmaceutical instruments, namely, applicators for the delivery of radiopharmaceuticals used in the diagnosis and treatment of cancer; Applicators for pharmaceutical preparations, namely, inhaler and injector to deliver medication in the diagnosis and treatment of cancer

### Services

#### Class 35

(1) Advertising the goods and services of others; Business advisory services relating to product development; Business consultancy, namely, business management consultancy; Retail and wholesale services for pharmaceutical, veterinary and sanitary preparations and medical supplies; Intermediary business services relating to the commercialisation of goods, namely, procuring of contracts for third parties for the purchase and sale of goods

#### Class 42

(2) Provision of scientific information in the fields of biochemistry, biotechnology and clinical trials; Scientific and technical analysis, namely, medical analysis services for cancer diagnosis and

prognosis; Scientific consultancy, namely, consulting services in the fields of biotechnology, pharmaceutical research and development, and genetic science; Scientific research in the fields of biotechnology, pharmaceutical research and development, and genetic science; Scientific research in the field of pharmacy, namely, pharmaceutical research and development; Medical research; Research and development of products, namely, medical apparatus for use in the treatment of cancer; Research relating to pharmaceuticals; Advisory services relating to immunological products, namely, vaccines

**Class 45**

(3) Licensing of intellectual property

**Claims**

Priority Filing Date: May 23, 2017, Country or Office: AUSTRALIA, Application No: 1845880 in association with the same kind of goods and in association with the same kind of services

**Application Number** 1,841,582  
**Language of Application** English

**Filing Date** 2017-06-08

## APPLICANT AND AGENT DETAILS

### Applicant

Bitburger Braugruppe GmbH  
Römermauer 3  
54634 Bitburg  
GERMANY

### Agent

GOWLING WLG (CANADA) LLP  
1 MAIN STREET WEST, HAMILTON,  
ONTARIO, L8P4Z5

## TRADEMARK DETAILS

### Trademark Type

Design

### Visual Representation



### Colour Claim

Colour is claimed as a feature of the trademark. The color(s) red, grey, black, white and gold is/are claimed as a feature of the mark. The mark consists of a picture of a gold crown with a cross on top of it. The crown is inside a red circle that has a white border and then another gold scalloped border around the white border. Appearing above and below the circle is part of a grey anchor with some white on it and outlined in black. The anchor has a chain coming out of the top of it that overlaps on the circle in the upper left portion. On the left side of the circle is the wording "PURUM" and on the right side of the circle is the wording "LAUDATUR" both in a grey stylized font. Below the anchor is the wording "KÖNIG PILSENER" in a grey stylized font outlined in black on the right side and bottom sides of the letters. The wording is underlined with a grey line with a black outline on the bottom of the line and a break in the line under the letter "G". The entire mark is on a white background.

### Goods

#### Class 32

Beers; mineral and aerated waters; fruit beverages and fruit juices; non-alcoholic beer; mixed beer beverages; beer-based cocktails; shandy

### Services

#### Class 43

services for providing food and drinks namely cafés, cafeterias, restaurants, self-service restaurants, fast food restaurant, cantines, bars, snack bars, bistros; temporary accommodation in hotels, guest houses, holiday apartments

**Claims**

Priority Filing Date: March 21, 2017, Country or Office: EUIPO (EU), Application No: 016490377 in association with the same kind of goods and in association with the same kind of services

**Application Number** 1,841,785  
**Language of Application** English

**Filing Date** 2017-06-09

## APPLICANT AND AGENT DETAILS

### Applicant

Coty Brands Management Inc.  
350 Fifth Avenue  
New York, NJ 10118  
UNITED STATES OF AMERICA

### Agent

BERESKIN & PARR LLP/S.E.N.C.R.L., S.R.L.  
SCOTIA PLAZA, 40 KING STREET WEST,  
40th FLOOR, TORONTO, ONTARIO, M5H3Y2

## TRADEMARK DETAILS

# COTY

### Trademark Type

Standard Characters

### Goods

#### Class 03

(1) perfumery, namely perfume, eau de toilette, eau de cologne

(2) antiperspirants; deodorants for personal use; essential oils for personal use; non-medicated soaps, namely shower gels and bath preparations, namely bath oils, salts, powders, foams and gels; non-medicated cosmetics, namely cosmetic preparations for skin care, lotions for cosmetic purposes, including body lotions and after-shave lotions; make-up preparations, namely lipsticks, lip glosses, mascara; make-up removing preparations; non-medicated hair care preparations, namely shampoos, hair lotions, hair dyes, hair colorants, hair waving preparations, hair spray, hair conditioners, hair straightening preparations; nail care preparations, namely nail varnish, nail polish

#### Class 18

(3) cosmetic bags, make-up bags

### Services

#### Class 35

retail services, mail-order services, and online sales services in relation to soaps, perfumery, nonmedicated cosmetics, non-medicated hair care preparations and nail care preparations

**Application Number** 1,841,851  
**Language of Application** French

**Filing Date** 2017-06-09

## APPLICANT AND AGENT DETAILS

### Applicant

KASSAR INTERNATIONAL, société à  
responsabilité limitée unipersonnelle  
8, esplanade Compans Caffarelli  
Immeuble Atria  
31000  
Toulouse  
FRANCE

### Agent

LAVERY, DE BILLY, LLP  
1 Place Ville Marie, Suite 4000, Montréal,  
QUÉBEC, H3B4M4

## TRADEMARK DETAILS

# INTERNATIONAL MISSION

### Trademark Type

Word

### Services

#### Class 35

Business management; business administration management for others; business organization and management advice; umbrella company services; organization of exhibitions on international trade; publishing of advertising copy; public relations; business intermediation for others.

**Application Number** 1,843,190  
**Language of Application** English

**Filing Date** 2017-06-16

## APPLICANT AND AGENT DETAILS

### Applicant

Riverside Natural Foods Ltd.  
2720 Steeles Avenue West, Building 4  
Vaughan  
ONTARIO  
L4K4N5

### Agent

LEDGLEY LAW  
724 ANNETTE STREET, TORONTO,  
ONTARIO, M6S2E2

## TRADEMARK DETAILS

# GOOD TO GO

### Trademark Type

Word

### Authorisation For Use

Consent from Ontario Lottery and Gaming Corporation is of record.

### Goods

#### Class 29

(1) Nut bars, namely bars containing low sugar or no sugar, nut-based snack bars, fat-based, low sugar snack bars, high protein fat-based snack bars, coconut based low sugar snack bars, fat-based snack bars suitable for a ketogenic diet, fat-based low carbohydrate snack bars, low sugar or no sugar bars made from nut and seed butters, all the foregoing excluding wares and services relating to gaming and lotteries

#### Class 30

(2) Nut bars, namely low sugar or no sugar bars made from nut flour, all the foregoing excluding wares and services relating to gaming and lotteries



**Application Number** 1,843,646  
**Language of Application** English

**Filing Date** 2017-06-20

## APPLICANT AND AGENT DETAILS

### Applicant

Arbiom Inc, a Delaware corporation  
4222 Emperor Blvd, Suite 300  
Durham , NC 27703  
UNITED STATES OF AMERICA

### Agent

MARKS & CLERK  
100 Simcoe Street, Suite 200, TORONTO,  
ONTARIO, M5H3G2

## TRADEMARK DETAILS

### Trademark Type

Design

### Visual Representation



### Goods

#### Class 01

(1) Raw material and ingredients for use in the manufacture of animal food, namely, proteins, amino acids, peptide substrates for the manufacture of animal food; Non-food sugars in the nature of C6 and C5 sugars for industrial purposes; Lignin; Chemicals used in agriculture, horticulture and forestry; unprocessed artificial resins, unprocessed plastics; combusting preparations in the nature of chemical-based additives for engine oils and fuels; acetylene; chemical additives for motor fuels; chemical additives for engine oils, motor oils, fuel and gasoline; detergent additives to petrol; coolants for vehicle engines; benzene, benzene derivatives in the nature of benzene-based acids and methyl benzene; biological and chemical preparations for use in cell cultures in the fields of agriculture, horticulture and forestry; chemical reagents, namely fertilizers, for use in agriculture, horticulture and forestry; enzymes for industrial purposes, namely, for use in processing non-food biomass in the fields of agriculture, horticulture and forestry

#### Class 04

(2) Industrial oils and greases; industrial lubricants; biodiesel fuels; benzene; petrol; benzol; motor fuel; vaporized fuel mixtures; gas oil; kerosene; fuel oils

### Services

#### Class 42

Conducting scientific and technological evaluations, estimates, research and providing reports related thereto in the fields of science and technology, namely, conducting engineering surveys; engineering of biorefineries (including process development and design); industrial analysis and research services in the fields of biorefinery; chemical and biotechnological analyses, chemical and biotechnological research involving engineered enzymes; technical project studies, namely,

conducting scientific feasibility studies; research and development of new products for others; materials testing; research in the field of environmental protection; technical research in the fields of biorefinery, and food and feed ingredients

**Application Number** 1,844,702  
**Language of Application** English

**Filing Date** 2017-06-27

## APPLICANT AND AGENT DETAILS

### Applicant

GLENCORE CANADA CORPORATION  
100 King Street West  
Suite 6900  
Toronto  
ONTARIO  
M5X1E3

### Agent

LAVERY, DE BILLY, LLP  
1 Place Ville Marie, Suite 4000, Montréal,  
QUEBEC, H3B4M4

## TRADEMARK DETAILS

### Trademark Type

Design

### Visual Representation



### Goods

#### Class 01

(1) selenium; tellurium

#### Class 09

(2) Refined copper namely copper cathodes

#### Class 14

(3) gold; palladium; platinum;

(4) Silver

**Application Number** 1,845,490  
**Language of Application** English

**Filing Date** 2017-06-30

## APPLICANT AND AGENT DETAILS

### Applicant

Canadian Tire Corporation, Limited  
2180 Yonge Street  
Toronto  
ONTARIO  
M4P2V8

### Agent

TORYS LLP  
SUITE 3000, 79 WELLINGTON ST. W., BOX  
270, TD CENTRE, TORONTO, ONTARIO,  
M5K1N2

## TRADEMARK DETAILS

# TRIANGLE

### Trademark Type

Standard Characters

### Goods

#### Class 09

(1) credit cards; debit cards

#### Class 16

(2) coupons; voucher books; reward program cards, loyalty cards for use in connection with loyalty programs, sales and promotional incentive schemes and promotional services

### Services

#### Class 35

(1) retail store reward programs; administration of consumer loyalty programs; promoting the sale of goods and services through a consumer loyalty program; credit card reward program services; providing promotional coupon and voucher programs pertaining to goods and services of others; distribution of coupons and voucher books; program for the giving of cash bonuses to retail customers through the issuance and redemption of cash bonus coupons; operation of a customer incentive, award and loyalty program; sales and promotional incentive schemes and promotional services, namely administration of incentive award programmes to promote the sale of the goods and services of others;

#### Class 36

(2) electronic transfer of money; charge card services; credit card services; debit card services;

**Application Number** 1,845,493  
**Language of Application** English

**Filing Date** 2017-06-30

## APPLICANT AND AGENT DETAILS

### Applicant

Canadian Tire Corporation, Limited  
2180 Yonge St.  
Toronto  
ONTARIO  
M4P2V8

### Agent

TORYS LLP  
SUITE 3000, 79 WELLINGTON ST. W., BOX  
270, TD CENTRE, TORONTO, ONTARIO,  
M5K1N2

## TRADEMARK DETAILS

# THE TRIANGLE

### Trademark Type

Standard Characters

### Goods

#### Class 09

(1) credit cards; debit cards

#### Class 16

(2) coupons; voucher books; reward program cards, loyalty cards for use in connection with loyalty programs, sales and promotional incentive schemes and promotional services

### Services

#### Class 35

(1) retail store reward programs; administration of consumer loyalty programs; promoting the sale of goods and services through a consumer loyalty program; credit card reward program services; providing promotional coupon and voucher programs pertaining to goods and services of others; distribution of coupons and voucher books; program for the giving of cash bonuses to retail customers through the issuance and redemption of cash bonus coupons; operation of a customer incentive, award and loyalty program; sales and promotional incentive schemes and promotional services, namely administration of incentive award programmes to promote the sale of the goods and services of others;

#### Class 36

(2) electronic transfer of money; charge card services; credit card services; debit card services;

**Application Number** 1,845,495  
**Language of Application** English

**Filing Date** 2017-06-30

## APPLICANT AND AGENT DETAILS

### Applicant

Canadian Tire Corporation, Limited  
2180 Yonge St.  
Toronto  
ONTARIO  
M4P2V8

### Agent

TORYS LLP  
SUITE 3000, 79 WELLINGTON ST. W., BOX  
270, TD CENTRE, TORONTO, ONTARIO,  
M5K1N2

## TRADEMARK DETAILS

# MY TRIANGLE

### Trademark Type

Standard Characters

### Goods

#### Class 09

(1) credit cards; debit cards

#### Class 16

(2) coupons; voucher books; reward program cards, loyalty cards for use in connection with loyalty programs, sales and promotional incentive schemes and promotional services

### Services

#### Class 35

(1) retail store reward programs; administration of consumer loyalty programs; promoting the sale of goods and services through a consumer loyalty program; credit card reward program services; providing promotional coupon and voucher programs pertaining to goods and services of others; distribution of coupons and voucher books; program for the giving of cash bonuses to retail customers through the issuance and redemption of cash bonus coupons; operation of a customer incentive, award and loyalty program; sales and promotional incentive schemes and promotional services, namely administration of incentive award programmes to promote the sale of the goods and services of others

#### Class 36

(2) electronic transfer of money; charge card services; credit card services; debit card services;

**Application Number** 1,846,163  
**Language of Application** French

**Filing Date** 2017-07-06

## APPLICANT AND AGENT DETAILS

### Applicant

ESSILOR INTERNATIONAL  
147 rue de Paris  
94220, Charenton Le Pont  
FRANCE

### Agent

ROBIC  
630, boul. René-Lévesque Ouest, 20e étage,  
Montréal, QUÉBEC, H3B1S6

## TRADEMARK DETAILS

# CRIZAL SAPPHIRE

### Trademark Type

Word

### Goods

#### Class 01

(1) Organic or mineral matter in the form of treatment coatings, glazes, overcoatings, all for eyeglass lenses and ophthalmic lenses, made of polymers, minerals, metallic compounds or other materials, with scratch-resistant, impact-resistant, anti-glare, optical, anti-ultraviolet ray, antifouling, anti-dust, water-resistant, hydrophobic, oleophobic, light filtering properties.

#### Class 09

(2) Ophthalmic lenses; eyeglass lenses, namely organic lenses, mineral lenses, corrective lenses, progressive lenses, sunglass lenses, polarizing lenses, filtering lenses, tinted lenses, coloured lenses, photosensitive lenses, photochromic lenses, treated lenses, coated lenses, anti-reflective lenses, lens blanks; eyeglass lens templates and blanks; semi-finished blanks for eyeglass lenses.

**Application Number** 1,846,325  
**Language of Application** English

**Filing Date** 2017-07-07

## **APPLICANT DETAILS**

### **Applicant**

9378-8669 QUÉBEC INC.  
300-240 Saint-Jacques street  
Montréal  
QUEBEC  
H2Y1L9

## **TRADEMARK DETAILS**

# **CLOAKROOM**

### **Trademark Type**

Word

### **Services**

#### **Class 37**

(1) Repairing clothes

#### **Class 40**

(2) Tailoring services; clothing alteration services

#### **Class 43**

(3) Bar and restaurant services, namely cocktail bar services and catering services

#### **Class 44**

(4) Operation of a hair styling and barber salon; hair cutting and hair colouring services; performance of straight razor shaving



**Application Number** 1,846,817  
**Language of Application** English

**Filing Date** 2017-07-11

## APPLICANT AND AGENT DETAILS

### Applicant

Jose Antonio Rodriguez Fernandez  
C/ Jara, No. 23. Carmona  
Sevilla, 41410  
SPAIN

### Agent

MOFFAT & CO.  
P.O. Box 2088, Station D, Ottawa, ONTARIO,  
K1P5W3

## TRADEMARK DETAILS

### Trademark Type

Design

### Visual Representation



### Goods

#### Class 09

(1) Motorcyclist protective clothing

#### Class 18

(2) Garment bags

#### Class 24

(3) Textile linings for garments

#### Class 25

(4) Clothing, footwear and headgear, namely pants, shorts, skirts, dresses, vests, sweaters, sweatshirts, shoes, slippers, caps; Ready-made clothing for men, women and children, footwear (except orthopaedic) and headgear, namely pants, shorts, skirts, dresses, vests, sweaters, sweatshirts, shoes, caps; Cloth bibs; Headbands; Bathrobes; Swimming costumes; Bathing caps and sandals; Boas (necklets); Underwear; Babies' pants [clothing]; Scarves; Boots for sports and beach shoes; Hooded sweatshirts, hooded sweaters; Shawls; Belts as clothing; Money belts (clothing); Wet suits for water skiing; Neckties; Corsets (underclothing); Scarves and headscarves; Fur stoles; Corsets; Scarves; Caps (headwear); Gloves for clothing; Rainwear; Underwear, mantillas; Stockings; Socks; Neckerchiefs; Pocket handkerchiefs; Furs for clothing; Pyjamas; Outer layer of boots and shoes; Heels; Veils (clothing); Suspenders; Gymnastic and sporting wear; Layettes (clothing); Shoulder wraps (clothing), singlets, mittens; Ear muffs (clothing); Insoles; Bowties; Beach wraps; Wristbands; Dress shields; Masquerade costumes; Beachwear; Sun visors (headgear); Coats (Top); Sock suspenders; Stocking suspenders; Petticoats; Tights; Aprons

(clothing); Wooden shoes; Coats; Espadrilles; Non-slip soles; Bath slippers; Birettas (headwear); Blouses; Body suits; Berets; Footmuffs, not electrically heated; Lace boots; Boots; Boot uppers; Studs for football boots (shoes); Booties; Fittings of metal for shoes and boots; Tips for footwear; Welts for boots and shoes; Heelpieces for footwear; Boxer shorts; Shirts; Shirt yokes; Shirt fronts; Tee-shirts; Bodices (lingerie); Waistcoats; Jackets (clothing); Fishing vests; Stuff jackets (clothing); Pant and jacket combinations (clothing); Combined underwear, namely bodysuits; Detachable collars for shirts; Shoulder wraps; Shower caps; Slippers; Skirts; Coats; Gabardines (clothing); Gymnastic shoes; Jerseys (clothing); Pullovers; Sweaters; Liveries; Muffs for hands; Uppers for boots and shoes; Parkas; Pelerines; Pelisses; Gaiters; Knitwear (clothing), namely hats, sweaters, vests, scarves; Clothing for gymnastics; Outerwear jackets; Sandals; Saris; Briefs; Hats; Brassieres; Wimples; Togas; Gaiter straps; Suits; Turbans; Gowns; Slippers, sports shoes; Trousers shorts; Slacks; Tracksuit bottoms; Casual trousers; Waterproof trousers; Leggings (trousers); Silk ties; Bolo ties

### **Class 32**

(5) Preparations for making alcoholic beverages, namely fruit drinks, fruit juice

### **Class 33**

(6) Alcoholic beverages (except beer), namely wine, whiskey, vodka, cocktail drinks; Mead; Schnapps; Rice alcohol; Bitters; Anise (liqueur); Anisette (liqueur); Aperitifs with a distilled alcoholic liquor base; Wine coolers (drinks); Alcoholic energy drinks; Rum-based beverages; Wine-based drinks; Alcoholic coffee-based beverage; Alcoholic tea-based beverage; Alcopops; Distilled beverages, namely rye; spirits, namely absinthe, vermouth, brandy, gin, rum, tequila; Japanese liquor flavored with Japanese plum extracts; Bourbon whiskey; Brandy; Cachaca; Alcoholic cocktails; Alcoholic cocktails containing milk; Alcoholic cocktails in the form of chilled gelatins; Prepared wine cocktails; Cream liqueurs; Cherry brandy; Essences for making alcoholic drinks; Alcoholic jellies; Gin; Sherry; Calvados; Peppermint liqueurs; Liqueurs; Herb liqueurs; Alcoholic cocktail mixes; Alcoholic egg nog; Rum punch; Alcoholic punches; Rum; Sugar cane juice rum; Sake; Sangria; Cider; Vermouth; Grape wine; Table wines; Whisky; Vodka

### **Services**

#### **Class 35**

Advertising the goods and services of others; Business management; Business administration; Retailing and wholesaling in shops, via global computer networks, via catalogue, via mail order, via telephone, via radio and television and via other electronic media in the field of alcoholic beverages; Assistance, advisory services and consultancy for business management and business operations in the field of the establishment of franchises; Wholesale services in the field of meats; Retail services in the field of meats; Advertising services for promoting drinks for others; Retail services in the field of delicatessen products; Retail services in the field of food; Assistance, advisory services and consultancy for business management and business operations in the field of the establishment of franchises; Administration of consumer loyalty programs; Administration of incentive award programmes to promote the sale of the goods and services of others; Administration of a discount program for enabling participants to obtain discounts on goods and services through use of a discount membership card; business management consulting with relation to strategy, marketing, production, personnel and retail sale matters; Sales promotion for others for drinks; Business administration services for processing sales made on the internet; Sales promotions at point of purchase or sale, for others for drinks; Distribution of publicity materials for others, namely flyers, prospectuses, brochures, samples, particularly for catalogue long distance sales, both cross border and not cross border; Promoting the goods and services of others through advertisements on internet websites; Wholesale services in the field of beer;

Wholesale ordering services, namely computerized on-line ordering services in the field of food and drink, mail order services in the field of food and drink, telephone order-taking services for others; Wholesale sale of food and drinks; Wholesale services in the field of alcoholic beverages (except beer); Wholesale services in the field of preparations for making alcoholic beverages

**Application Number** 1,846,820  
**Language of Application** English

**Filing Date** 2017-07-11

## APPLICANT AND AGENT DETAILS

### Applicant

Antiguas Destilerías del Sur, SL  
C/ Jara, No. 23. Carmona  
Sevilla, 41410  
SPAIN

### Agent

MOFFAT & CO.  
P.O. Box 2088, Station D, Ottawa, ONTARIO,  
K1P5W3

## TRADEMARK DETAILS

### Trademark Type

Design

### Visual Representation

The logo features the words "puerto" and "de Indias" in a highly decorative, blackletter-style font. The letters are intertwined with elaborate flourishes and scrolls, particularly around the 'p' and 'I'. The word "de" is smaller and positioned between "puerto" and "Indias".

### Foreign Character Translation

As provided by the applicant, the translation of the Spanish words PUERTO DE INDIAS is PORT OF INDIAS.

### Goods

#### Class 09

(1) Motorcyclist protective clothing

#### Class 18

(2) Garment bags

#### Class 24

(3) Textile linings for garments

#### Class 25

(4) Clothing, footwear and headgear, namely pants, shorts, skirts, dresses, vests, sweaters, sweatshirts, shoes, slippers, caps; Ready-made clothing for men, women and children, footwear (except orthopaedic) and headgear, namely pants, shorts, skirts, dresses, vests, sweaters, sweatshirts, shoes, caps; Cloth bibs; Headbands (clothing); Bathrobes; Swimming costumes; Bathing caps and sandals; Boas (necklets); Underwear; Babies' pants [clothing]; Scarves; Boots for sports and beach shoes; Hooded sweatshirts, hooded sweaters; Shawls; Belts as clothing;

Money belts (clothing); Wet suits for water skiing; Neckties; Corsets(underclothing); Scarves and headscarves; Fur stoles; Corsets; Scarves; Caps (headwear); Gloves for clothing; Rainwear; Underwear, mantillas; Stockings; Socks; Neckerchiefs; Pocket handkerchiefs; Furs for clothing; Pyjamas; Outer layer of boots and shoes; Heels; Veils (clothing); Suspenders; Gymnastic and sporting wear; Layettes (clothing); Shoulder wraps (clothing), singlets, mittens; Ear muffs (clothing); Insoles; Bowties; Beach wraps; Wristbands clothing; Dress shields; Masquerade costumes; Beachwear; Sun visors (headgear); Coats (Top); Sock suspenders; Stocking suspenders; Petticoats; Tights; Aprons (clothing); Wooden shoes; Coats; Espadrilles; Non-slip soles; Bath slippers; Birettas (headwear); Blouses; Body suits; Berets; Footmuffs, not electrically heated; Lace boots; Boots; Boot uppers; Studs for football boots (shoes); Booties; Fittings of metal for shoes and boots; Tips for footwear; Welts for boots and shoes; Heelpieces for footwear; Boxer shorts; Shirts; Shirt yokes; Shirt fronts; Tee-shirts; Bodices (lingerie); Waistcoats; Jackets (clothing); Fishing vests; Stuff jackets (clothing); Pant and jacket combinations (clothing); Combined underwear; Detachable collars for shirts; Shoulder wraps; Shower caps; Slippers; Skirts; Coats; Gabardines (clothing); Gymnastic shoes; Jerseys (clothing); Pullovers; Sweaters; Liveries; Muffs for hands; Uppers for boots and shoes; Parkas; Pelerines; Pelisses; Gaiters; Knitwear (clothing), namely hats, sweaters, vests, scarves; Clothing for gymnastics; Outerwear jackets; Sandals; Saris; Briefs; Hats; Brassieres; Wimples; Togas; Gaiter straps; Suits; Turbans; Gowns; Slippers, sports shoes; Trousers shorts; Slacks; Tracksuit bottoms; Casual trousers; Waterproof trousers; Leggings (trousers); Silk ties; Bolo ties

### **Class 32**

(5) Preparations for making alcoholic beverages, namely fruit drinks, fruit juice

### **Class 33**

(6) Alcoholic beverages (except beer), namely wine, whiskey, vodka, cocktail drinks; Mead; Schnapps; Rice alcohol; Bitters; Anise (liqueur); Anisette (liqueur); Aperitifs with a distilled alcoholic liquor base; Wine coolers (drinks); Alcoholic energy drinks; Rum-based beverages; Wine-based drinks; Alcoholic coffee-based beverage; Alcoholic tea-based beverage; Alcopops; Distilled beverages, namely rye; spirits, namely absinthe, vermouth, brandy, gin, rum, tequila; Japanese liquor flavored with Japanese plum extracts; Bourbon whiskey; Brandy; Cachaca; Alcoholic cocktails; Alcoholic cocktails containing milk; Alcoholic cocktails in the form of chilled gelatins; Prepared wine cocktails; Cream liqueurs; Cherry brandy; Essences for making alcoholic drinks; Alcoholic jellies; Gin; Sherry; Calvados; Peppermint liqueurs; Liqueurs; Herb liqueurs; Alcoholic cocktail mixes; Alcoholic egg nog; Rum punch; Alcoholic punches; Rum; Sugar cane juice rum; Sake; Sangria; Cider; Vermouth; Grape wine; Table wines; Whisky; Vodka

### **Services**

#### **Class 35**

Advertising the goods and services of others; Business management; Business administration; Retailing and wholesaling in shops, via global computer networks, via catalogue, via mail order, via telephone, via radio and television and via other electronic media in the field of alcoholic beverages; Assistance, advisory services and consultancy for business management and business operations in the field of the establishment of franchises; Wholesale services in the field of meats; Retail services in the field of meats; Advertising services for promoting drinks for others; Retail services in the field of delicatessen products; Retail services in the field of food; Administration of the business affairs of franchises; Administration of foreign business affairs; Administration of consumer loyalty programs; Administration of incentive programmes to promote the sale of the goods and services of others; Administration of a discount program for enabling participants to obtain discounts on goods and services through use of a discount membership

card; business management consulting with relation to strategy, marketing, production, personnel and retail sale matters; Sales promotion for others for drinks; Business administration services for processing sales made on the internet; Sales promotions at point of purchase or sale, for others for drinks; Distribution of publicity materials for others, namely flyers, prospectuses, brochures, samples, particularly for catalogue long distance sales, both cross border and not cross-border; Promoting the goods and services of others through advertisements on Internet websites; Wholesale services in the field of beer; Wholesale ordering services, namely computerized on-line ordering services in the field of food and drink, mail order services in the field of food and drink, telephone order-taking services for others; Wholesale sale of food and drinks; Wholesale services in the field of alcoholic beverages (except beer); Wholesale services in the field of preparations for making alcoholic beverages

**Application Number** 1,847,300  
**Language of Application** English

**Filing Date** 2017-07-13

## APPLICANT AND AGENT DETAILS

### Applicant

Walmart Apollo, LLC  
702 SW 8th Street  
Bentonville, Arkansas 72716  
UNITED STATES OF AMERICA

### Agent

CPST INTELLECTUAL PROPERTY INC.  
Brookfield Place, 181 Bay Street, Suite 2425,  
Toronto, ONTARIO, M5J2T3

## TRADEMARK DETAILS

# UNIQUELY J

### Trademark Type

Word

### Goods

#### Class 01

(1) dry ice; antifreeze; fertilizers; water treatment chemicals for swimming pools; water softeners and water treatment chemicals; distilled water; chemical analysis kit for testing swimming pool water

#### Class 02

(2) dyes, namely clothing dyes, dyes for making soap, fabric dyes, textile dyes, food dyes, shoe dyes, and clothing dyes; food coloring; paints, namely paints for arts and crafts, paint for artists, paint and lacquer glazes, interior paint, exterior paint, house paint; finger paint; inks, toners, and dyes for use with and on textiles and fabrics

#### Class 03

(3) baby wipes; make-up remover; laundry bleach and detergent; fabric softeners; cotton swabs; shampoos; hair conditioner; hair care preparations; shaving cream and lotion; all-purpose cleaners; dish detergents; dishwasher detergents; glass cleaners; hand lotions; body lotions; suntan lotions, preparations, creams, and oils; fragrances; pet care kits, namely pet grooming preparations, mouthwash for pets, deodorants for pets, pet coat conditioners; pet shampoo; mouthwash; nail grooming products, namely nail care kits, nail care preparations, and nail cream; floor wax remover; floor cleaning preparation; toothpaste; denture products, namely denture cleaners and denture polishers; personal deodorants; deodorants for pets; cosmetic preparations for skin care; lip balm and gloss; hair gel and hair mousse; breath fresheners; hair spray; shoe creams and polishes; eye make-up; facial cosmetics; lip cosmetics; automobile and car wax preparations; nail paint and primer; hair color; soaps for household use; soaps for personal use; carpet cleaners; furniture polish; hair relaxers; fruit and vegetable wash; cosmetics; oral care products, namely dental rinses, dental beaching gel, dental gel and teeth whiteners; foot care products, namely foot cream, foot lotion, foot scrubs, foot smoothing stones, foot soak, liquid soap used in foot baths, foot deodorant spray, foot masks for skin care; bubble bath; bath oil; bath beads; bath fizzies; shower and bath gel; non-medicated bath salts; premoistened towelettes; cosmetic cotton balls; foot care implements, namely pumice stones

#### Class 04

(4) charcoal lighter fluid; charcoal for fuel; charcoal briquettes; lump charcoal; all purpose lubricants; candles; motor oil; fire starters; chafing dish fuel; propane for use as fuel; propane gas sold in cylinders; firewood; fire logs

#### **Class 05**

(5) baby food; diapers for pets, baby diapers, and adult diapers; babies' swim diapers; medicines for the treatment of gastrointestinal diseases; first aid kits; topical first aid gel; preparations for treating colds; allergy relief medication; sleep aid preparations; decongestant nasal sprays, nasal rinse, and nasal spray preparations; vitamins; sinus relief medication; analgesics; tampons; feminine hygiene pads; sanitary napkins; cough syrups; hemorrhoidal ointments; hair growth stimulants; air deodorizer; diet capsules and pills; electrolytes; infant formula; cough drops; supplement drink mixes, namely vitamin preparations in the form of meal replacement drinks and powders; smoking cessation preparations, namely pharmaceutical preparations for the treatment of smoking cessation, tobacco-free cigarettes for the treatment of smoking cessation, nicotine chewing gum, nicotine patches for use as aids to stop smoking; contact lens solutions; pest control products, namely animal repellants; weed killers; insect repellents; corn rings for the feet; sexual health care products, namely personal sexual lubricants and sexual stimulant gels; gauze and medical tape for pets; baby feeding products, namely breast-nursing pads

#### **Class 06**

(6) flag poles of metal; fencing, namely metal fences, railings, gates and fencing panels, metal chain-link fencing, metal wire fencing; brackets, namely metal brackets for use in the construction and assembly of decking, brackets of metal for furniture, shelf brackets of metal, spacer brackets of metal and gutter brackets of metal; figurines of common metal; pewter figurines; metal flower and plant stakes; general purpose metal storage bins; metal hardware, namely metal nails, screws, springs, bolts, hinges, washers; ores; metal building materials, namely building boards of metal, building panels of metal, cladding of metal for construction and building, coverings of metal for ceilings, metal door frames and door handles; metal cable wire; common metals and their alloys; pipes and tubes of metal, namely branching pipes and tubes of metal, drainage pipes of metal, gutter pipes of metal, metal drain pipes, metal water pipes, metal sewer pipes, elbows for metal pipes, and water-pipe valves of metal; safes; materials of metal for railway tracks, namely metal for railway tracks and metal railway ties; insect screens of metal, metal mirror hangers; badges of metal for vehicles; locks of metal for vehicles; vehicle registration plates of metal; vehicle ramps of metal; tow ropes of metal; aluminum foil; baskets of metal; general purpose metal storage bins; packaging containers of metal; pot hooks of metal; preserve tins; preserving boxes of metal; tin cans; tinfoil; towel dispensers, fixed, of metal; common metals, unwrought and semi-wrought; letter boxes of metal; metal cable wire; non-electrical elevator cables; non-electrical lifting cables; cramps of metal; fittings of metal for furniture; bottle caps of metal; cash boxes of metal; bells for animals; gold solder; mooring buoys of metal; identification bracelets of metal; wind vanes of metal; tree protectors of metal; traps for wild animals; statues of common metal; ores of metal; monuments of metal

#### **Class 07**

(7) vacuum cleaner bags; vacuum cleaner attachments and accessories namely suction nozzles for vacuum cleaners, vacuum cleaner filters and vacuum cleaner hose; vacuum cleaners; suction nozzles for vacuum cleaners

#### **Class 08**

(8) tableware, namely cutlery and knife sets; razors; razor blades; curling irons; electric hair straightener; electric shavers; foot care implements, namely nail files, foot files and nail scissors; baby feeding products, namely baby cutlery; animal hair clippers, and nail clippers



**Class 09**

(9) E-commerce software to allow users to perform electronic business transactions via a global computer network; computer application software for mobile phones, namely software that operates an online retail store services featuring a wide variety of consumers goods of others; computer application software for mobile phones and other mobile devices, namely software for operating online marketplaces featuring a wide variety of consumer goods of others; brackets, namely brackets for setting up flat screen television sets, speaker mounting brackets, and camera brackets

**Class 10**

(10) therapeutic nose clips and mouthpieces for the prevention of snoring; massage apparatus, namely vibrators massagers, facial massages, gum massagers, massage beds for medical purposes, massage gloves and massage mitts; pill and tablet cutters and crushers; condoms; diaphragms for contraception; clinical thermometers; baby feeding products, namely baby bottles, baby feeding pacifiers and breast pumps; pet medicine distributors, namely cups for administering medicine, spoons for administering medicine, injection syringes; mirrors for dental use

**Class 11**

(11) light bulbs; flashlights; hair dryers; filters for drinking water

**Class 12**

(12) baby travel accessories, namely strollers and car seats

**Class 14**

(13) figurines made from gold, silver, imitation gold, figurines of precious metal; lanyards for holding keys; key rings of metal

**Class 16**

(14) diaper pail liners; disposable housebreaking pads for pets; trash bags; plastic food storage bags for household use; food wrapping plastic film; paper towels; paper napkins; facial tissue; toilet tissue; paper coffee filters; children's arts and crafts kits, namely children's painting kits and children's coloring kits; children's art supplies, namely, painting palettes, paint brushes, painting sets for children, markers, glitter pens for stationery purposes, glitter glue for stationery purposes, stickers, and crayons; writing instruments; office products, namely, binders, paper shredders, staplers, staples, staple removers, glue, hole punchers, paper stationery, rubber bands, paperclips, and envelopes; wax paper; paper and plastic gift wrap; paper gift wrapping ribbons and bows; tissue papers; greeting cards; gift tags; gift boxes; gift bags; paper storage boxes; stickers; silk screen prints; paper drop cloths; paint roller covers; paint tray liners of paper; paint tray liners of plastic; paint trays; paper tapes; self-adhesive tapes for stationery and household purposes; adhesives for household purposes; photograph and scrapbook albums; paper banners; paper cake decorations; decorative paper centerpieces; paper tablecloths; paper coasters; crepe paper; decals

**Class 17**

(15) figurines made of rubber

**Class 18**

(16) pet products, namely, pet restraining devices consisting of leashes, collars, harnesses and restraining straps; cosmetics storage, namely cosmetic bags, cosmetic cases, cosmetic purses; pouches for holding keys; cases for holding keys; baby carriers

**Class 19**

(17) flag poles of plastic; flagpoles of wood; brackets, namely vinyl brackets for gutters; figurines of concrete, marble, stone

#### **Class 20**

(18) baby furniture, namely cribs, baby changing tables and dressers; bedroom furniture, bathroom furniture, dining room furniture, kitchen furniture, living room furniture, outdoor furniture, office furniture; portable bath seat; plant stands; umbrella stands; brackets, namely picture frame brackets and plastic brackets for furniture; plastic flower and plant stakes

#### **Class 21**

(19) plates; cups; pans, namely cooking pans, baking pans, frying pans, soup pans and sauce pans; bath brushes; food storage containers, garbage containers, thermal insulated containers for food and beverages, containers for ice, beverage containers; sponges, namely scouring sponges and make-up sponges; scouring pads; bath sponges; loofah sponges; cleaning cloths; gloves for household purposes; toothbrushes; dental floss; mops; brooms; plastic bottles; glass bottles; grooming tools for pets, namely brushes for pets; toothbrush holders; baking cups, namely mixing cups, paper and plastic cups; soap dishes; baking needs, namely bakeware, baking pans and baking mats; kitchen storage, namely glass food storage containers; cosmetic accessories, namely cosmetic brushes and cosmetic spatulas; pot holders; nozzles for sprinkler hoses; nozzles for watering cans; nozzles for watering hoses; foam toe separators for use in pedicures; ice substitute, namely reusable chillers for drinks; metal pans, namely metal baking pans, metal cooking pans and metal sauce pans; aluminum pans, namely aluminum baking pans and aluminum baking sheets; dinnerware; servicing spoons, salad tongs and ladles

#### **Class 24**

(20) cloths for removing make-up

#### **Class 25**

(21) clothing, namely baby clothing, infant clothing, children's clothing, casual clothing, business clothing, dress clothing, outdoor winter clothing, sun protective clothing, sports clothing and athletic clothing; footwear, namely shoes, children's footwear, casual footwear, exercise footwear, athletic footwear, beach footwear, outdoor winter footwear and evening footwear; headwear, namely hats, caps and toques; gloves; tights; socks; pantyhose

#### **Class 26**

(22) hair accessories, namely, ribbons, weaves, bows, hair pins, barrettes, scrunchies; electric hair rollers; hair ornaments; hairbands; hairnets

#### **Class 28**

(23) toys and playthings, namely baby toys, infant toys, bath toys, sand toys, children's multiple activity toys, educational toys, electronic learning toys, electronic action toys, plastic toys, rubber toys, stuffed and plush toys, pull toys, small toys, soft toys and talking toys; playing cards; dolls, doll accessories, and board games

#### **Class 29**

(24) eggs; edible seeds; nuts, namely roasted nuts, chocolate covered nuts, candied nuts, flavoured nuts; dairy cream; coffee creamers; dried fruits; cheese; butter; butter substitutes, namely margarine, nut butter, coconut oil and vegetable oil based spreads; shortening; oils and fats for food; canned and bottled fruits; pickles; jellies and jams; cottage cheese; sour cream; parmesan cheese; evaporated milk; condensed milk; milk; coffee creamer; dried beans; dried vegetables; frankfurters; luncheon meats; soups; processed cheese; nut butters; pre-packaged dinners, namely prepared meals primarily consisting of cooked fruits and vegetables and prepared

dishes consisting principally of meat; dried fruit-based snacks and dehydrated fruit snacks; margarine; instant potatoes; baked beans; powdered milk; fruit and vegetable salads; coleslaw; whipped cream; frozen seafood; cream cheese; yogurt; snack food dips; spreads, namely cheese spreads, chicken spreads, fish spreads, fruit spreads, meat spreads, vegetable based spread, sandwich spread and seafood spreads; meat-based snack foods; bacon; sausage meat; breakfast meat; frozen pre-packaged entrees, namely frozen meat dinners and frozen vegetable dinners; glazed fruits; egg substitute; fruit and vegetable pectin; ham; lard; canned vegetables; bottled vegetables; cooked vegetables namely cooked tinned vegetables, cooked frozen vegetables, cooked freeze dried vegetables and cooked vacuum sealed vegetables; meat; poultry; tomato products, namely canned tomatoes, tomato paste, tomato preserves, tomato purée and tomato extracts; snacks, namely fruit-based snack food, nut-based snack mixes and potato chips; matzo ball soup; cocktail olives, dried olives, canned olives, tinned olives; seafood; breakfast foods, namely bacon and eggs; kits comprised of ingredients for preparing pizza, namely cheese; salad toppings, namely bacon

### **Class 30**

(25) pasta; vinegar; sugar substitutes; bread; sugar; relish; honey; breakfast cereals; oatmeal; steak sauce; worcestershire sauce; cones for ice cream; ice cream mixes; syrup, namely maple syrup, chocolate syrup, corn syrup and molasses syrup; marshmallows; cookies; coffee; spices; seasonings; pizza; rice; spaghetti; pasta sauce; tea; sauces, namely cheese sauce, chocolate sauce, fruit sauce, salad sauce and tomato sauce; pancake mixes; barbeque sauce; flavored and sweetened gelatins; dessert puddings; instant pudding mixes; crackers; salad dressing; granola-based snack bars; mustard; ketchup; gravy; gravy mixes; sauce mixes for cheese sauce, chili sauce, fish sauce, hot sauce, soya sauce, tartar sauce and meat sauce; toaster pastries; tarts; rice cakes; kits comprised of ingredients for preparing pizza, namely pizza dough and pizza sauce; pizza dough; pizza sauce; instant tea; instant coffee; meat pies; flour; corn meal; mayonnaise; popcorn; tea bags; baking mixes, namely dessert mixes, biscuit mixes, bread mixes, cake mixes, cookie mixes, brownie mixes, frosting mixes, icing mixes and muffin mixes; mixes for making tea; cocoa mixes; food stuffing mixes; pies; cakes; ice cream; sherbet; pastry; doughnuts; cheesecakes; frozen pasta; Asian noodles; bialys; bagels; flavor enhancers used in food and beverage products, namely food flavourings and beverage flavourings; candy; breakfast foods, namely breakfast cereal; frozen breads; chocolate; English muffins; frozen pies; dough; biscuits; cake batter; breadcrumbs; frostings, namely cake frosting and frosting mixes; tortillas; egg rolls; wontons; chewing gum; molasses; ice; condiments, namely ketchup, mustard, relish and mayonnaise; pre-packaged lunches, namely sandwiches, salads and pasta; Mexican foods, namely tacos, burritos, enchiladas, taco sauce, enchilada sauce and Mexican seasoning; salad toppings, namely croutons; salsa; hot sauce

### **Class 31**

(26) pet food; fresh corn; animal litter; fresh vegetables; corn on the cob; fresh potatoes; fresh onions; fresh fruit

### **Class 32**

(27) bottled water; fruit juice; fruit juice concentrates; non-alcoholic cocktail mixes; energy drinks; sports drinks; carbonated beverages, namely carbonated soft drinks, non-alcoholic carbonated beverages, carbonated mineral water, carbonated water and fruit-flavoured carbonated beverages; beer; ale; juice base concentrate; drinks, namely drinking water with vitamins, bottled water and meal replacement drinks; juices, namely fruit juice and vegetable juice

### **Class 33**

(28) alcoholic cocktail mixes; wine coolers; spirits, namely whisky, rum, vodka, scotch, tequila, mezcal, gin and port, and liquers; wines; hard cider

#### **Class 34**

(29) cigarettes; lighters; cigars; electronic cigarettes; smokeless tobacco; tobacco products; matches; smoking accessories, namely oral vaporizers for smokers, ashtrays and smoking pipes

#### **Services**

#### **Class 35**

(1) online retail store services featuring a wide variety of goods and services of others, namely online department store services; operating online marketplaces featuring a wide variety of consumer goods of others; online advertising, marketing and promotion services for others, namely advertising agency services, advertising the goods and services of others, promoting the goods and services of others through the distribution of discount cards; providing consumer product information via the internet of the consumer goods of others; promoting the sale of the goods and services of others through customer loyalty and incentive programs for retail customers; computerized on-line ordering services featuring a wide variety of consumer goods and services of others, namely clothing, cosmetics, furniture, groceries, computer software, toys, pharmaceutical, veterinary and sanitary preparations and medical supplies, and home entertainment electronics; providing sales information featuring the goods and services of other vendors featuring clothing, cosmetics, furniture, groceries, computer software, toys, pharmaceutical, veterinary and sanitary preparations and medical supplies, and home entertainment electronics via a searchable website; computerized on-line ordering services featuring a wide variety of goods and services of others, namely clothing, cosmetics, furniture, groceries, computer software, toys, pharmaceutical, veterinary and sanitary preparations and medical supplies, and home entertainment electronics; providing customer support services for electronic commerce sales transactions; supply chain management services

#### **Class 39**

(2) warehousing services; supply chain logistics and reverse logistics services for the transportation, storage, and delivery of goods for others by air, rail, ship and truck

#### **Class 42**

(3) designing, creating, maintaining and hosting online electronic commerce websites for others; developing and hosting a server on a global computer network for the purpose of facilitating e-commerce via such a server; platform as a service (PAASs) featuring computer software platforms for use in operating online marketplaces featuring a wide variety of consumer goods of others; platform as a service (PAAS) featuring computer software platforms for use in browsing, viewing, comparing, and purchasing a wide variety of consumer goods of others from online marketplaces

#### **Claims**

Priority Filing Date: April 10, 2017, Country or Office: UNITED STATES OF AMERICA, Application No: 87404666 in association with the same kind of goods and in association with the same kind of services (1)

**Application Number** 1,847,648  
**Language of Application** English

**Filing Date** 2017-07-14

## APPLICANT AND AGENT DETAILS

### Applicant

APE & Partners S.p.A.  
Sestiere San Marco 3877  
30124 Venezia VE  
ITALY

### Agent

CHANTAL ST. DENIS  
(O'BRIEN TM SERVICES INC), 262, chemin  
Eardley, Gatineau, QUEBEC, J9J2Y7

## TRADEMARK DETAILS

# PJS

### Trademark Type

Word

### Goods

#### Class 03

(1) Eau de Cologne; Toilet water; Aromatics for fragrances; Scented body lotions and creams; Body deodorants [perfumery]; Eaux de perfume; Fragrances; Room fragrances; Natural oils for perfumes; Pomanders [aromatic substances]; Perfumery; Perfumed tissues; Scented body spray; Deodorants and antiperspirants; Bath creams; Beauty care cosmetics; Make-up preparations; Hair care preparations; Non-medicated bubble bath preparations; Hair removal and shaving preparations; skin care preparations, eyes care preparations, nails care preparations; Body soaps, body gels, soaps for household use, soaps for personal use; Aromatic essential oils, aromatic oils for the bath, aromatic potpourris; Fumigating incenses (Kunko); Scented oils used to produce aromas when heated, oils for perfumes and scents

#### Class 09

(2) Spectacles, sunglasses, spectacles, lenses, contact lenses, frames for sunglasses and spectacles; covers and cases for sunglasses and spectacles, containers for contact lenses; chains for spectacles

#### Class 14

(3) Alarm clocks; Statues and figurines, made of or coated with precious or semi-precious metals or stones, or imitations thereof; Jewellery pins; Jewelry cases [caskets or boxes]; Key rings and key chains, and charms therefor; Jewellery boxes and watch boxes; Hat ornaments of precious metal, semi-precious metal, precious and semi-precious stones, or imitations thereof, ornamental pins made of precious metal, semi-precious metal, precious and semi-precious stones, or imitations thereof, shoe ornaments of precious metal, semi-precious metal, precious and semi-precious stones, or imitations thereof; Clocks; Jewellery; Precious metals; Cuff links; Gemstones, pearls and precious metals, and imitations thereof; Tie clips; Cases for clock-and watchmaking; Chronoscopes; Jewelry findings; Fittings for watches; Jewellery rings; Amulets [jewellery]; Paste jewellery; Bracelets for watches; Jewellery charms; Watches

#### Class 18

(4) Leather and imitations of leather; animal skins, hides; trunks and travelling bags; umbrellas and parasols; walking sticks; whips, harness and saddlery, in particular; saddle trees; saddlery, key

cases (leather), fastenings for saddles, leather shoulder straps, alpenstocks, walking sticks, vanity cases, not fitted, luggage, luggage trunks, travelling trunks, bags for sports, purses, leather travelling bags, leather travelling suitcases, harness bridles, briefcases, school satchels (leatherware); bands of leather, unworked or semi-worked leather; imitation leather, whips, imitation leather; animal skins, fur (animal skins), card cases (notecases), haversacks, camping bags, beach bags, travelling bags, bags for climbers, shopping bags, boxes of leather or leather board, suitcases, attaché cases, garment bags for travel, rucksacks

### **Class 25**

(5) Headwear, namely, berets, hats, caps, cap visors, sun visors, visors for athletic use, athletic footwear, beach footwear, casual footwear, children's footwear, climbing footwear, exercise footwear, golf footwear, infant footwear, outdoor winter footwear, rain footwear, ski footwear, sports footwear, sports shoes, boots, ski boots, clogs

### **Services**

### **Class 35**

Retail services relating to eau de cologne, toilet water, aromatics for fragrances, scented body lotions and creams, body deodorants [perfumery], eaux de perfume, fragrances, room fragrances, natural oils for perfumes, pomanders [aromatic substances], perfumery, perfumed tissues, scented body spray, deodorants and antiperspirants, bath creams, beauty care cosmetics, make-up preparations, hair care preparations, non-medicated bubble bath preparations, hair removal and shaving preparations, skin care preparations, eyes care preparations, nails care preparations, body soaps, body gels, soaps for household use, soaps for personal use, aromatic essential oils, aromatic oils for the bath, aromatic potpourris, fumigating incenses (Kunko), scented oils used to produce aromas when heated, oils for perfumes and scents, spectacles, sunglasses, spectacles, lenses, contact lenses, frames for sunglasses and spectacles, covers and cases for sunglasses and spectacles, containers for contact lenses, chains for spectacles, alarm clocks, statues and figurines, made of or coated with precious or semi-precious metals or stones, or imitations thereof, jewellery pins, jewelry cases [caskets or boxes], key rings and key chains, and charms therefor, jewellery boxes and watch boxes, hat ornaments of precious metal, semi-precious metal, precious and semi-precious stones, or imitations thereof, ornamental pins made of precious metal, semi-precious metal, precious and semi-precious stones, or imitations thereof, shoe ornaments of precious metal, semi-precious metal, precious and semi-precious stones, or imitations thereof, clocks, jewellery, precious metals, cuff links, gemstones, pearls and precious metals, and imitations thereof, tie clips, cases for clock-and watchmaking, chronoscopes, jewelry findings, fittings for watches, jewellery rings, amulets [jewellery], paste jewellery, bracelets for watches, jewellery charms, watches, leather and imitations of leather, animal skins, hides, trunks and travelling bags, umbrellas and parasols, walking sticks, whips, harness and saddlery, in particular, saddle trees, saddlery, key cases (leather), fastenings for saddles, leather shoulder straps, alpenstocks, walking sticks, vanity cases, not fitted, luggage, luggage trunks, travelling trunks, bags for sports, purses, leather travelling bags, leather travelling suitcases, harness bridles, briefcases, school satchels (leatherware), bands of leather, unworked or semi-worked leather, imitation leather, whips, imitation leather, animal skins, fur (animal skins), card cases (notecases), haversacks, camping bags, beach bags, travelling bags, bags for climbers, shopping bags, boxes of leather or leather board, suitcases, attaché cases, garment bags for travel, rucksacks, headwear, namely, berets, hats, caps, cap visors, sun visors, visors for athletic use, athletic footwear, beach footwear, casual footwear, children's footwear, climbing footwear, exercise footwear, golf footwear, infant footwear, outdoor winter footwear, rain footwear, ski footwear, sports footwear, sports shoes, boots, ski boots, clogs

**Claims**

Priority Filing Date: July 13, 2017, Country or Office: EUIPO (EU), Application No: 16976607 in association with the same kind of goods (1), (3)

**Application Number** 1,848,451  
**Language of Application** English

**Filing Date** 2017-07-20

## APPLICANT AND AGENT DETAILS

### Applicant

Space Race, LLC  
271 Madison Avenue  
New York, NY 10016  
UNITED STATES OF AMERICA

### Agent

GOWLING WLG (CANADA) LLP  
SUITE 2600, 160 ELGIN STREET, OTTAWA,  
ONTARIO, K1P1C3

## TRADEMARK DETAILS

# SPACE RACERS

### Trademark Type

Word

### Goods

#### Class 09

(1) Children's educational software; audio and video recordings namely audio and video clips; Downloadable digital audio and video recordings and audio video clips featuring animated children's television programs, movies and films; Motion picture films and films for television featuring children's entertainment; Bicycle helmets; Cases for mobile phones; Sports helmets

#### Class 16

(2) Binders; Bookmarks; Chalk; Collectable trading cards; Comic books; Crayons; Erasers; File folders; Paper gift bags; Gift boxes; Greeting cards; Felt tip and fiber tip colouring markers; Notepads; Pen and pencil cases; Pencil sharpeners; Pencils; Post cards; Stands for pens; Wrapping paper; Paper staplers; Calendars; Children's books; Coloring books; Decals; Flash cards; Notebooks; Posters; Stickers

#### Class 25

(3) Shirts; Belts; Costumes for use in children's dress up play; Footwear namely athletic footwear, casual footwear, children's footwear and sports footwear; Gloves; Headwear namely hats, caps and scarves; Jackets; One-piece garments for children; Pajamas; Pants; Shorts; Sleepwear; Socks; Sweatshirts; Swimwear; Underwear

#### Class 28

(4) Action figure toys; Balls for sports; Board games; Costume masks; Electric action toys; Electronic toy vehicles; Kites; Plastic character toys; Play balls; Plush toys; Puzzles; Toy action figures and accessories therefor; Toy clocks and watches; Toy rockets; Toy vehicles and accessories therefor; Toys, namely, children's dress-up accessories namely costumes, hats and masks; Party balloons, play balloons and toy balloons; Card games; Toy balloons; Educational toys; Infant toys; Small toys; Toy figures; Toy models

### Services

#### Class 41

Educational and entertainment services, namely, animated children's programs, movies and films accessible by means of television, Internet, satellite, video, mobile phone, computer networks;



Entertainment services in the nature of ongoing television programs in the field of children's entertainment; providing information in the fields of science education and entertainment for children via a website

**Application Number** 1,849,136  
**Language of Application** English

**Filing Date** 2017-07-25

## APPLICANT AND AGENT DETAILS

### Applicant

543077 Alberta Ltd.  
9175 14 St NW  
Edmonton  
ALBERTA  
T6P0C9

### Agent

BURNET, DUCKWORTH & PALMER LLP  
2400, 525 - 8TH AVENUE S.W., CALGARY,  
ALBERTA, T2P1G1

## TRADEMARK DETAILS

# Catapult

### Trademark Type

Word

### Goods

#### Class 06

(1) Large metal storage containers used to store bulk and fungible items, frac sand, and crop grains

#### Class 22

(2) Industrial storage containers made of textile

### Services

#### Class 39

Delivery of storage containers by truck, rail and barge, and the setting up of storage containers used to store bulk and fungible items; Operating storage containers for the benefit of others; Managing and maintaining storage containers for the benefit of others; Storage services for the benefit of others for the storage of bulk and fungible items including frac sand and crop grains; Loading and unloading of bulk and fungible items including frac sand and crop grains to and from storage containers for the benefit of others; Transportation and delivery of bulk and fungible items by truck, rail and barge including frac sand and crop grains for the benefit of others

**Application Number** 1,851,156  
**Language of Application** English

**Filing Date** 2017-08-04

## APPLICANT AND AGENT DETAILS

### Applicant

Canadian Tire Corporation, Limited  
2180 Yonge Street  
Toronto  
ONTARIO  
M4P2V8

### Agent

TORYS LLP  
SUITE 3000, 79 WELLINGTON ST. W., BOX  
270, TD CENTRE, TORONTO, ONTARIO,  
M5K1N2

## TRADEMARK DETAILS

# TRIANGLE REWARDS

### Trademark Type

Standard Characters

### Goods

#### Class 09

(1) credit cards; debit cards

#### Class 16

(2) coupons; voucher books; reward program cards, loyalty cards for use in connection with loyalty programs, sales and promotional incentive schemes and promotional services

### Services

#### Class 35

(1) retail store reward programs; administration of consumer loyalty programs; promoting the sale of goods and services through a consumer loyalty program; credit card reward program services; providing promotional coupon and voucher programs pertaining to goods and services of others; distribution of coupons and voucher books; program for the giving of cash bonuses to retail customers through the issuance and redemption of cash bonus coupons; operation of a customer incentive, award and loyalty program; sales and promotional incentive schemes and promotional services, namely administration of incentive award programmes to promote the sale of the goods and services of others;

#### Class 36

(2) electronic transfer of money; charge card services; credit card services; debit card services;

**Application Number** 1,851,181  
**Language of Application** English

**Filing Date** 2017-08-04

## APPLICANT AND AGENT DETAILS

### Applicant

Toronto Vegetarian Association  
360 College Street  
Unit #301  
Toronto  
ONTARIO  
M5T1S6

### Agent

LEDGLEY LAW  
724 ANNETTE STREET, TORONTO,  
ONTARIO, M6S2E2

## TRADEMARK DETAILS

# VEGGIELICIOUS

### Trademark Type

Word

### Goods

#### Class 16

- (1) Brochures
- (2) Posters; postcards
- (3) Printed material, namely printed paper tabletop signs for advertising

#### Class 25

- (4) Promotional t-shirts

#### Class 26

- (5) Novelty buttons and pins

### Services

#### Class 35

- (1) Direct marketing of restaurants, cafes, and bakeries of others offering vegan food and drink; Developing promotional campaigns for business for others; Development of marketing strategies and concepts for vegan restaurants, cafes and bakeries for others

#### Class 41

- (2) Development, implementation and co-ordination of festivals, fairs and exhibits that promote the serving and tasting of vegan cuisine of others

**Application Number** 1,851,416  
**Language of Application** English

**Filing Date** 2017-08-08

## APPLICANT AND AGENT DETAILS

### Applicant

RAPIDGROW INDUSTRIES INC.  
20203 113B Ave  
Maple Ridge  
BRITISH COLUMBIA  
V2X0Z1

### Agent

ERIC MOLLEMA  
(Centra Lawyers LLP), 102-20110 Lougheed  
Highway, Maple Ridge, BRITISH COLUMBIA,  
V2X2P7

## TRADEMARK DETAILS

# SUPERNATURAL

### Trademark Type

Word

### Goods

#### Class 01

growing media for plants; plant food; plant growth regulating preparations; plant growth regulators; plant growth regulators for agricultural use; plant nutrients; plant nutrition preparations; preparations for fortifying plants; substances for regulating plant growth

**Application Number** 1,851,770  
**Language of Application** English

**Filing Date** 2017-08-09

## APPLICANT AND AGENT DETAILS

### Applicant

RENEWI PLC  
16 Charlotte Square  
Edinburgh EH2 4DF  
UNITED KINGDOM

### Agent

GOODMANS LLP  
ATTN: INTELLECTUAL PROPERTY GROUP,  
BAY ADELAIDE CENTRE, 333 BAY STREET,  
SUITE 3400, TORONTO, ONTARIO, M5H2S7

## TRADEMARK DETAILS

### Trademark Type

Design

### Visual Representation



### Colour Claim

Colour is claimed as a feature of the trademark. The trademark consists of the stylized wording 'renewi' in the colors light blue, blue, green and light green with a curved arrow design emanating from the letter 'n' and a second curved arrow design emanating from the letter 'w'. The color blue appears in the letters 'ren', and in the curved arrows emanating from the letters 'n' and 'w', respectively; the color light blue appears in the letters 'ne', and in the curved arrows emanating from the letters 'n' and 'w', respectively; the color green appears in the letters 'ew', and in the curved arrows emanating from the letters 'n' and 'w', respectively; the color light green appears in the letters 'wi' and in the curved arrows emanating from the letters 'n' and 'w', respectively.

### Goods

#### Class 01

(1) Manures; compost; enriched compost; soil namely top soil, potting soil, clay soil, sand soil, silt soil, loam soil, peat soil, chalk soil; soil improvers namely fertilizers and enriched composts; fertilizers

#### Class 04

(2) Fuel namely ethanol, methanol, gasoline, diesel fuel, natural gas, hydrogen and oil, renewable fuels and fuels from biological sources namely, ethanol, biofuel, methanol and hydrogen fuel

#### Class 06

(3) Common metals in powder form, common metals in foil form, metal, namely, aluminum alloys, brass alloys, bronze alloys, copper alloys, chrome alloys, iron alloys, lead alloys, magnesium

alloys, mercury alloys, nickel alloys, steel alloys, tin alloys, titanium alloys, zinc alloys; metal alloys; metal ores, iron ores, aluminum ores, brass ores, bronze ores, copper ores, chrome ores, gold ores, lead ores, magnesium ores, mercury ores, nickel ores, platinum ores, silver ores, steel ores, tin ores, titanium ores, zinc ores; ores; transportable metal buildings and constructions for the retrieval, storage and transport of waste, used goods, recyclable products and fuels; metal containers for retrieval, storage and transport of waste, used goods and recyclable products and materials; metal containers for retrieval, storage and transport of hazardous waste, used goods and recyclable products and materials; underground and ground level metal storage containers; metal rubbish bins; metal spacer and shelf brackets; metal rubbish dividers; metal constructions for carrying containers namely metal tanks, tanks of metal for the storage and transport of liquid and gas; metal pipes for liquid and gas transfer; lock boxes and bolts of metal; metal foot pedals and metal brackets for locks; parts and fittings for all of the aforesaid

### **Class 07**

(4) Recycling installations namely machinery for the mechanical recycling of synthetic resinous materials, household and commercial trash, human and animal waste, sludge, food waste, industrial fats and agricultural waste; installations for the processing of waste, used goods and recyclable products and materials, namely, machinery for the mechanical recycling of synthetic resinous materials, household and commercial trash, human and animal waste, sludge, food waste, industrial fats and agricultural waste; mechanical collection machines for waste, used goods and recyclable products and materials namely synthetic resinous materials, household and commercial trash, human and animal waste, sludge, food waste, industrial fats and agricultural waste; mechanical recycling machines for waste, used goods and recyclable products and materials namely synthetic resinous materials, household and commercial trash, human and animal waste, sludge, food waste, industrial fats and agricultural waste; mechanical digestion machines for waste, used goods and recyclable products and materials namely synthetic resinous materials, household and commercial trash, human and animal waste, sludge, food waste, industrial fats and agricultural waste; installations for processing hazardous waste, used goods and recyclable products and materials, namely, machinery for the mechanical recycling of hazardous synthetic resinous materials and hazardous commercial trash; installations for processing glass, namely, glass-working machines and structural parts and fittings therefor; installations for processing sand, namely, sand sorting machines and structural parts and fittings therefor; installations for processing soil, namely, intertillage machines and structural parts and fittings therefor; installations for processing slag, namely, skimming machines for use in the removal of slag accumulations and structural parts and fittings therefor; installations for processing paper, namely, papermaking and paper sorting machines and structural parts and fittings therefor; installations for processing iron, namely, iron working machines and structural parts and fittings therefor; installations for producing compost in the nature of composting machines and structural parts and fittings therefor; installations for producing energy and gas, namely, electrical generators and gas-powered generators and conveyors, and structural parts and fittings therefor; conveyors; parts and fittings for all of the aforesaid

### **Class 11**

(5) Water purification units and plants for domestic, commercial and industrial use, water desalination units for domestic, commercial and industrial use and plants, and water conditioning units and plants for domestic, commercial and industrial use, and structural parts and fittings for all of the aforesaid; parts and fittings for all of the aforesaid

### **Class 12**

(6) Vehicles, namely, automobiles, boats, airplanes, trucks, lorries, trash collection trucks, vehicles adapted for the transport of storage containers, trains and light rail vehicles; apparatus for locomotion by land, air or water, namely, automobiles, boats, airplanes, trucks, lorries, trash collection trucks, vehicles adapted for the transport of storage containers, trains and light rail vehicles; trolleys namely hand carts and handling carts for waste, used goods and recyclable products and materials, handling carts for hazardous waste, used goods and recyclable products, and structural parts and fittings for all of the aforesaid; hand carts; handling carts for waste, used goods and recyclable products and materials; handling carts for hazardous waste, used goods and recyclable products and materials; parts and fittings for all of the aforesaid

#### **Class 14**

(7) Gold alloys, platinum alloys and silver alloys

#### **Class 19**

(8) Building materials, not of metal, namely, clay flooring, clay tiles, clay cement, sand stone, semi-worked wood, bricks, cement, concrete walls, concrete blocks and pillars, concrete flooring, glass, plastic panels, plastic supports and ceramic tiles; concrete; concrete building materials, namely, concrete building blocks, concrete pillars and columns, and concrete foundation columns; concrete foundations; concrete containers; materials for making and coating roads, namely, cement, asphalt, concrete, bitumen, gravel, stone; paving materials, namely, cement, asphalt, concrete, bitumen, gravel, stone and paving tiles; roofing tiles, floor tiles, ceramic tiles, wall tiles, ceiling tiles; non-metallic transportable constructions, namely bins and tanks for the retrieval, storage and transport of waste; non-metallic tanks, namely, storage tanks of masonry; nonmetallic tanks of masonry for the storage and transport of liquid and gas; non-metallic water pipes, nonmetallic pipes for transport of liquids and gases, non-metallic rigid pipes for construction purposes; nonmetallic building materials in the nature of clay flooring, clay tiles, clay cement, sand stone, semi-worked wood, bricks, cement, concrete walls, concrete blocks and pillars, concrete flooring, glass, plastic panels, plastic supports and ceramic tiles made from waste, used goods and recyclable products and materials, namely, paper, glass, plastic, aggregate, compost, electricity, wood and fuels; non-metallic building materials in the nature of clay flooring, clay tiles, clay cement, sand stone, semi-worked wood, bricks, cement, concrete walls, concrete blocks and pillars, concrete flooring, glass, plastic panels, plastic supports and ceramic tiles made from hazardous waste, used goods and recyclable products and materials, namely, paper, glass, plastic, aggregate, compost, electricity, wood and fuels; gravel; sand; cement; building glass; binding materials for road repair, namely, cement, asphalt, concrete, bitumen, gravel, stone; binding agents for making stones; cement aggregates; aggregate materials for use in concrete, namely, cement aggregates; coal tar granules for use in the preparation of concrete; granules for use in the preparation of concrete

#### **Class 20**

(9) Non-metallic containers in the nature of bins and storage units for use in transport of trash for commercial or industrial use and structural parts and fittings therefor; non-metallic containers in the nature of bins for retrieval, storage and transport of waste, used goods and recyclable products and materials and structural parts and fittings therefor; non-metallic containers in the nature of bins for retrieval, storage and transport of hazardous waste, used goods and recyclable products and materials and structural parts and fittings therefor and structural parts and fittings therefor; non-metallic plastic tanks for the storage and transport of liquid and gas; general purpose underground and ground level plastic storage containers and structural parts and fittings therefor; hardware, namely, non-metallic brackets for general use; non-metallic rubbish dividers in the nature of non-metal recycling bins for commercial use; non-metallic locks; non-metallic pedals and brackets for



locks; concrete storage containers and structural parts and fittings therefor; parts and fittings for all of the aforesaid

### **Class 21**

(10) Refuse bins; litter bins; recycle bins; waste, refuse and recycling bag holders; parts and fittings for all of the aforesaid

### **Class 24**

(11) Woven fabrics for the control of weeds; woven fabrics for substrate strengthening

### **Class 31**

(12) Agricultural, horticultural and forestry products, namely, seeds, live plants, living trees, live crops in the nature of unprocessed wheat, unprocessed sugarcane, fresh vegetables, fresh potatoes, fresh pulses, fresh fruits, and fresh yams, livestock namely cattle, sheep, horses, goats, pigs, chicken and turkey

### **Services**

#### **Class 35**

(1) Auditing services in relation to waste, used goods and recyclable products and materials; auditing services in relation to hazardous waste, used goods and recyclable products and materials; arranging business introductions relating to the production and processing of waste, used goods and recyclable products and materials; arranging business introductions relating to the production and processing of hazardous waste, used goods and recyclable products and materials; arranging business introductions relating to the production and processing of fuel; business consultancy and mediation of contracts for the purchase, sale, import and export of goods and services; business consultancy and mediation of contracts for the purchase, sale, import and export of waste, used goods and recyclable products and materials; business consultancy and mediation of contracts for the purchase, sale, import and export of hazardous waste, used goods and recyclable products and materials; business consultancy and mediation of contracts for the purchase, sale, import and export of glass, sand, soil, slag, paper, iron, products made from recycled waste, fuel, energy; business consultancy and mediation of contracts for the purchase, sale, import and export of containers; business consultancy and mediation of contracts in relation to the collection, packaging, storage, shipment, distribution, processing, recycling and destruction of waste, used goods and recyclable products and materials; business consultancy and mediation of contracts in relation to the collection, packaging, storage, shipment, distribution, processing, recycling and destruction of hazardous waste, used industrial goods and recyclable products and materials; business consultancy and mediation of contracts in relation to waste, used goods and recyclable products and materials; business consultancy and mediation of contracts in relation to hazardous waste, used industrial goods and recyclable products and materials; business consultancy and mediation of contracts in relation to recycling installations; business consultancy and mediation of contracts in relation to organic residues; business marketing consulting services in relation to the collection, disposal and recycling of waste, used goods and recyclable products and materials; business consultancy and mediation of contracts in relation storage containers; business management and consultancy services in relation to management services and facilities for waste, used goods and recyclable products and materials; business management and consultancy services in relation to management services and facilities for hazardous waste, used goods and recyclable products and materials; retail services in relation to waste, used goods and recyclable products and materials; retail services in relation to hazardous waste, used goods and recyclable products and materials; retail services in relation to glass, sand, soil, slag, paper, iron, products made from recycled waste, namely, paper, glass, recycled fuel,

compost, wood chips, plastic, metal, aggregates, pellets and green electricity, fuel, energy, containers, pipes, woven fabrics all made of recycled waste; import and export services in relation to waste, used household, commercial and industrial waste and trash goods and recyclable household, commercial and industrial waste and trash goods; import and export services in relation to hazardous waste, used household, commercial and industrial waste and trash goods and recyclable household, commercial and industrial waste and trash goods; import and export services in relation to glass, sand, soil, slag, paper, iron, products made from recycled waste, namely paper, glass, compost, wood chips, plastic, metal, aggregates, pellets, electricity, wind power, solar power and recycled fuels from biological sources namely ethanol, biofuel, methanol and hydrogen fuel, containers, pipes, woven fabrics; database compilation and management services in the field of the management of waste, used goods and recyclable products and materials; database compilation and management services in the field of the management of hazardous waste, used goods and recyclable products and materials; database compilation and management services in relation to databases containing commercial information about the products and services of third parties; recruitment services; administrative services in relation to recruitment; market research; advertising the goods and services of others for retail sale on the Internet; order processing services; preparation and provision of business reports in the field of the management of waste, used goods and recyclable products and materials; preparation and provision of business reports in the field of the management of hazardous waste, used goods and recyclable products and materials; information, advisory and consultancy services in relation to all of the aforesaid

### **Class 36**

(2) Financial management services; capital investment services; information, advisory and consultancy services in relation to all of the aforesaid

### **Class 37**

(3) Construction, installation and repair of equipment and plants for the reception, treatment, recycling and disposal of waste, used goods and recyclable products and materials; building construction of management facilities for waste, used goods and recyclable products and materials; building construction of management facilities for hazardous waste, used goods and recyclable products and materials; paving contractor services; construction of roads; construction of foundations; construction of foundations for roads; construction of drainage systems; drainage services; provision of information and advice in relation to building and construction; demolition services; maintenance of industrial installations namely buildings and machines used for the reception, treatment, recycling and disposal of waste, used goods and recyclable products and materials; maintenance and repair services in the field of oil and gas extraction installations; maintenance and repair services in the field of electrical supply systems; construction and maintenance of cable networks; laying cables and pipelines; repair and maintenance of distribution stations for the supply of energy namely electricity, wind power, solar power and recycled fuels from biological sources namely ethanol, biofuel, methanol and hydrogen fuel and installations for heating and water supply; maintenance and repair services in the field of water supply systems; quarrying services; maintenance and repair services in the field of sewers; road maintenance and repair services; cleaning services for industrial installations namely buildings and industrial machines; industrial cleaning services for buildings and industrial machines; cleaning services namely, air cleaning, water cleaning, land cleaning, hazardous waste removal, chemical spill cleanup, oil spill cleanup, biohazard removal cleaning, and contamination cleanup for the control of environmental pollution; building disinfecting services; decontamination; cleaning of tanks, containers, storage spaces, buildings, drains, sites, coolers, vessels, columns and pipework; maintenance, cleaning and repair of sewers; repair and maintenance services in relation to

industrial and commercial cleaning equipment; cleaning, repair and maintenance of protective equipment namely personal protective equipment, chemical exposure protective clothing, and hazardous waste exposure protective clothing; building inspection services in relation to cleaning and maintenance; drain inspection, cleaning and repairs; remediation and roughening of concrete; remediation of landfills; gas scrubbing; dry ice blasting services; plumbing services; installation of automation equipment for use in industrial and commercial plants; rental of tools and equipment for construction and demolition; rental of cranes, bulldozers, excavators, rollers and construction equipment; information, advisory and consultancy services in relation to all of the aforesaid

### **Class 39**

(4) Rail transport, cargo transport, freight transport, air transport and marine transport of goods; supply chain logistics and reverse logistics services, namely, storage, transportation and delivery of goods for others by air, rail, ship or truck; packaging, storage, collection, unloading, sorting, storage, shipment, removal, disposal, distribution (delivery) and transport of waste, used goods and recyclable products and materials; collection, unloading, sorting, storage, shipment, removal, disposal, distribution (delivery); rail transport, cargo transport, freight transport, air transport and marine transport of waste, used goods and recyclable products and materials; collection, unloading, sorting, storage, shipment, removal, disposal, distribution (delivery) and rail transport, cargo transport, freight transport, air transport and marine transport of hazardous waste, used goods and recyclable products and materials; collection, unloading, sorting, storage, shipment, removal, disposal, distribution (delivery) and rail transport, cargo transport, freight transport, air transport and marine transport of glass, sand and stone, soil and slag; land and air transportation, storage and packaging of protection equipment used in the hazardous waste recycling industry, namely, metal and plastic materials, storage and packaging; delivery and transportation of building materials by truck, train, airplane and ship, storage and rail transport, cargo transport, freight transport, air transport and marine transport of building materials; furniture removals; rental of waste storage containers; rental of waste and recycle bins; rental of mobile storage units; diving and underwater salvage services; distribution of fuel namely ethanol, methanol, gasoline, diesel fuel, natural gas, hydrogen and oil, to commercial and residential consumers by pipeline, rail, cargo, freight, air and marine transport; distribution of renewable energy fuels and fuels from biological sources namely, ethanol, biofuel, methanol and hydrogen fuel to commercial and residential consumers by pipeline, rail, cargo, freight, air and marine transport; distribution of electricity, gas, heat and water; transport of gases, liquids and solid substances through pipelines; provision of information in relation to the collection of waste, used goods and recyclable products and materials; provision of information in relation to the collection of hazardous waste, used goods and recyclable products and materials; storing of waste, used goods and recyclable products and materials; storing of hazardous waste, used goods and recyclable products and materials; storing of naturally occurring radioactive materials; information, advisory and consultancy services in relation to all of the aforesaid

### **Class 40**

(5) Recycling of household, commercial and industrial waste, recyclable materials, junk from residential and commercial properties, used clothing, used household furnishings, used commercial furnishings, construction debris, and yard waste; disposal, incineration, destruction, sorting, storing, recycling of household, commercial and industrial waste, compaction, treatment and processing of household, commercial and industrial waste, recyclable materials, junk from residential and commercial properties, used clothing, used household furnishings, used commercial furnishings, construction debris, and yard waste; asbestos disposal; disposal, incineration, destruction, sorting, storing, recycling, compaction, treatment and processing of hazardous waste from industrial and commercial facilities and households, recyclable materials,

junk from residential and commercial properties, used clothing, used household furnishings, used commercial furnishings, construction debris, and yard waste; immobilisation of hazardous waste from industrial and commercial facilities and households, recyclable materials, junk from residential and commercial properties, used clothing, used household furnishings, used commercial furnishings, construction debris, and yard waste; treatment, processing, storing, disposal and landfilling of naturally occurring radioactive materials; composting services; treatment and processing of ores and ore concentrates; management and treatment services in relation to laboratory waste, recyclable materials, junk from residential and commercial properties, used clothing, used household furnishings, used commercial furnishings, construction debris, and yard waste; management services in relation to waste, recyclable materials, junk from residential and commercial properties, used clothing, used household furnishings, used commercial furnishings, construction debris, and yard waste; management services in relation to hazardous waste, recyclable materials, junk from residential and commercial properties, used clothing, used household furnishings, used commercial furnishings, construction debris, and yard waste; provision of management services to local authorities in relation to waste, recyclable materials, junk from residential and commercial properties, used clothing, used household furnishings, used commercial furnishings, construction debris, and yard waste; provision of management services to local authorities in relation to hazardous waste, recyclable materials, junk from residential and commercial properties, used clothing, used household furnishings, used commercial furnishings, construction debris, and yard waste; soil treatment services; sand blasting services; asphalt treatment services; residual dust management; sludge treatment services; contaminated land remediation services; decontamination of soil services; effluent treatment services; solvent recovery services; water treatment services; water purification services; regeneration of water; environmental remediation services, namely, treatment of soil, sand, clay, grasslands, and forests; landfill services; management of landfill sites; production of biogas and landfill gas; production of energy, namely electricity and gas; production of energy, namely electricity and gas from waste, recyclable materials, junk from residential and commercial properties, used clothing, used household furnishings, used commercial furnishings, construction debris, and yard waste; production of energy, namely gas and electricity from hazardous waste, recyclable materials, junk from residential and commercial properties, used clothing, used household furnishings, used commercial furnishings, construction debris, and yard waste; production of fuel and renewable fuels; consultancy services in relation to recycling plants for the disposal and recycling of waste, recyclable materials, junk from residential and commercial properties, used clothing, used household furnishings, used commercial furnishings, construction debris, and yard waste; consultancy services in relation to recycling plants for the disposal and recycling of hazardous waste, recyclable materials, junk from residential and commercial properties, used clothing, used household furnishings, used commercial furnishings, construction debris, and yard waste; advisory services in relation to the treatment, recycling and disposal of waste, recyclable materials, junk from residential and commercial properties, used clothing, used household furnishings, used commercial furnishings, construction debris, and yard waste; advisory services in relation to the treatment, recycling and disposal of hazardous waste, recyclable materials, junk from residential and commercial properties, used clothing, used household furnishings, used commercial furnishings, construction debris, and yard waste; rental of water purification installations; rental of plants for waste processing namely sorting, recycling and disposal of household, commercial and industrial waste, recyclable materials, junk from residential and commercial properties, used clothing, used household furnishings, used commercial furnishings, construction debris, and yard waste; rental of plants for waste processing namely sorting, recycling and disposal of household, commercial and hazardous waste from industrial and commercial facilities and household, recyclable materials, junk from residential and commercial properties, used clothing, used

household furnishings, used commercial furnishings, construction debris, and yard waste; moulding of concrete; rental of gas, water and heating equipment namely boilers, radiators; provision of information in relation to the disposal and recycling of hazardous waste, recyclable materials, junk from residential and commercial properties, used clothing, used household furnishings, used commercial furnishings, construction debris, and yard waste; information, advisory and consultancy services in relation to all of the aforesaid

#### **Class 41**

(6) Training services in connection with the management and disposal of waste, used goods and recyclable products and materials; training services in connection with the management and disposal of hazardous waste, used goods and recyclable products and materials; information, advisory and consultancy services in relation to all of the aforesaid

#### **Class 42**

(7) Engineering services in the field of waste management, energy production and recycling, engineering consultancy services in the fields of waste management engineering, energy production and recycling, scientific and technical research and development services in the fields of energy, water, and waste management and recycling; conducting geological surveys; prospecting for oil and gas; design of waste treatment apparatus and apparatus for the reception, treatment, recycling and disposal of waste, used goods and recyclable products and materials; design of waste treatment apparatus and apparatus for the reception, treatment, recycling and disposal of hazardous waste, used goods and recyclable products and materials; technical consultancy in the field of the exploitation of recycling installations; technical consultancy in the field of collection, transport, management, processing, recycling and disposal of waste, used goods and recyclable products and materials; research and development services in the field of collection, transport, management, processing, recycling and disposal of waste, used goods and recycled materials; quality audits and expert technical reports in the field of treatment of waste, used goods and recyclable products and materials; quality audits and expert technical reports in the field of treatment of hazardous waste, used goods and recyclable products and materials; quality audits and expert technical reports in the field of environmental protection; on-site monitoring of waste, used goods and recyclable products and materials; on-site monitoring of hazardous waste, used goods and recyclable products and materials; industrial analysis in the field of collection, transport, management, processing, recycling and disposal of waste, used goods and recycled materials; industrial analysis in the field of collection, transport, management, processing, recycling and disposal of hazardous waste, used goods and recyclable products and materials; building design services in the field of the collection, sorting, storage, disposal, destruction of waste, used goods and recyclable products and materials; building design services in the field of the collection, sorting, storage, disposal, destruction of hazardous waste, used goods and recyclable products and materials; building design services in the field of recycling facilities; building design services in the field of water treatment facilities; technical advice and consultancy services in the field of energy, use of energy, heat and water supply; research and studies in the field of energy saving production techniques, recycling, landfills and the processing of waste, used goods and recyclable products and materials; research and studies in the field of energy saving production techniques, recycling, landfills and the processing of hazardous waste, used goods and recyclable products and materials; testing and quality control services, namely waste management and recycling machinery testing and quality control services for others; technical advice and consultancy services in the field of environmental protection; technical advice and consultancy services in the field of emissions control; consultancy services in the field of waste management and recycling automation; testing and quality control services, namely waste management and recycling machinery testing and quality control services for others; testing, analysis and evaluation

of the waste management and recycling machinery and services of others to determine conformity with certification standards; information, advisory and consultancy services in relation to all of the aforesaid

#### **Class 44**

(8) Agricultural services, namely, arable and pastoral farming services, planting, growing, fertilizing, pruning and picking rice, wheat, maize, sugarcane, vegetables, potatoes, pulses, fruits, nut oils and yam crops for others, crop cultivation and animal husbandry; horticultural services, namely, plant conservation in the field of the protection of plants including endangered species of plants, namely, the restoration and re-creation of habitat and vegetation, landscape restoration in the nature of industrial landscaping, and soil management in the nature of soil conditioning, improvement and maintenance for environmental protection; forestry services, namely, forest conservation and cultivation; information, advisory and consultancy services in relation to all of the aforesaid

#### **Claims**

Priority Filing Date: February 15, 2017, Country or Office: LITHUANIA, Application No: 20170389 in association with the same kind of goods (1), (2), (3), (4), (5), (6), (8), (9), (10), (11), (12) and in association with the same kind of services

**Application Number** 1,852,654  
**Language of Application** English

**Filing Date** 2017-08-16

## **APPLICANT AND AGENT DETAILS**

### **Applicant**

Canadian Imperial Bank of Commerce  
199 Bay Street  
11th Floor  
Toronto  
ONTARIO  
M5L1A2

### **Agent**

GOWLING WLG (CANADA) LLP  
SUITE 1600, 1 FIRST CANADIAN PLACE, 100  
KING STREET WEST, TORONTO, ONTARIO,  
M5X1G5

## **TRADEMARK DETAILS**

# **SIMPLII FINANCIAL**

### **Trademark Type**

Standard Characters

### **Services**

#### **Class 36**

Banking services; on-line interactive banking services; credit card services; debit card services;

**Application Number** 1,852,656  
**Language of Application** English

**Filing Date** 2017-08-16

## APPLICANT AND AGENT DETAILS

### Applicant

Canadian Imperial Bank of Commerce  
199 Bay Street  
11th Floor  
Toronto  
ONTARIO  
M5L1A2

### Agent

GOWLING WLG (CANADA) LLP  
SUITE 1600, 1 FIRST CANADIAN PLACE, 100  
KING STREET WEST, TORONTO, ONTARIO,  
M5X1G5

## TRADEMARK DETAILS

**Trademark Type**  
Design

**Visual Representation**

**simplii**  
FINANCIAL

### Services

**Class 36**

Banking services; on-line interactive banking services; credit card services; debit card services;



**Application Number** 1,853,020  
**Language of Application** English

**Filing Date** 2017-08-17

## APPLICANT AND AGENT DETAILS

### Applicant

United Spirits Limited  
UB Tower  
Vittal Mallya Road  
Bengaluru - 560001  
INDIA

### Agent

GOWLING WLG (CANADA) LLP  
SUITE 1600, 1 FIRST CANADIAN PLACE, 100  
KING STREET WEST, TORONTO, ONTARIO,  
M5X1G5

## TRADEMARK DETAILS

### Trademark Type

Design

### Visual Representation



### Goods

### Class 33

Alcoholic beverages namely whisky, blended whisky

**Application Number** 1,854,056  
**Language of Application** English

**Filing Date** 2017-08-23

## APPLICANT AND AGENT DETAILS

### Applicant

Health-Ade LLC  
2012 Abalone Ave., Suite A  
Torrance, CA 90501  
UNITED STATES OF AMERICA

### Agent

BORDEN LADNER GERVAIS LLP  
World Exchange Plaza, 100 Queen Street,  
Suite 1300, Ottawa, ONTARIO, K1P1J9

## TRADEMARK DETAILS

### Trademark Type

Design

### Visual Representation



**HEALTH·ADE**  
**KOMBUCHA**

### Goods

#### Class 32

(1) Beers; mineral and aerated waters; non-alcoholic beverages flavored with tea; non-alcoholic beverages flavored with coffee; fruit beverages and fruit juices; syrups for beverages; concentrates for making fruit drinks and soft drinks; essences for making soft drinks; powders for effervescing beverages; powder used in the preparation of fruit juices and soft drinks; Ice tea powder mix.

(2) Non-alcoholic beverages flavoured with tea; non-alcoholic beverages flavored with coffee.

### Claims

Priority Filing Date: February 24, 2017, Country or Office: UNITED STATES OF AMERICA,  
Application No: 87/348,870 in association with the same kind of goods (2)

**Application Number** 1,854,120  
**Language of Application** English

**Filing Date** 2017-08-24

## APPLICANT AND AGENT DETAILS

### Applicant

AVALANCHE IP LLC  
34 West 33rd Street, 5th Floor  
New York, New York 10001  
UNITED STATES OF AMERICA

### Agent

SANDER R. GELSING  
(Warren Sinclair LLP), 600, 4911 - 51 Street,  
Red Deer, ALBERTA, T4N6V4

## TRADEMARK DETAILS

### Trademark Type

Design

### Visual Representation



### Goods

#### Class 06

(1) Bicycle storage racks of metal; bicycle locks

#### Class 08

(2) Hand tools for repair and maintenance of bicycles

#### Class 09

(3) Electronic accessories, namely, protective cases for smart phones, tablets, and laptop cases; Power supply connectors and adaptors for use with portable electronic devices; audio speakers; radios; pedometers; ear buds, headphones; camping accessories namely, directional compasses, magnetic compasses; battery chargers for cell phones; battery chargers for portable electronic devices, namely, laptop computers, portable computers, portable MP3 players, portable radios; bicycle helmets

#### Class 11

(4) Camping accessories, namely, lanterns, electric flashlights and LED flashlights

#### Class 12

(5) Pet products, namely, vehicle seat covers for pets; bicycle seats; bicycle racks for vehicles, bicycle chains; air pumps for bicycles; fitted bicycle covers; luggage racks for bicycles; pannier bags for bicycles; car harnesses for restraining pets in cars

**Class 18**

(6) Backpacks; tote bags; suitcases; duffel bags; luggage; Pet products, namely, animal leashes, grooming and travel bags and cases for pets; pet apparel and pet collars

**Class 20**

(7) Pet products, namely, beds for household pets; camping accessories namely, air mattresses

**Class 21**

(8) Pet products, namely, pet feeding and drinking bowls; camping accessories, namely, canteen flasks, water bottles sold empty, grill sets consisting primarily of camping grills and including utensil related thereto

**Class 22**

(9) Hammocks; tents

**Class 24**

(10) Fleece blankets; bed blankets; throw blankets; sleeping bags

**Class 25**

(11) Clothing, namely, socks, gloves, swimwear, shirts, pants, shorts, t-shirts, sweaters, vests, jackets, underwear, sweatshirts, and sweatpants; headwear, namely, hats, caps and headbands; footwear namely, athletic footwear, casual footwear, climbing footwear, outdoor winter footwear

**Application Number** 1,854,855  
**Language of Application** English

**Filing Date** 2017-08-29

## APPLICANT AND AGENT DETAILS

### Applicant

Sportsline.com, Inc.  
51 West 52nd Street  
New York, NY 10019  
UNITED STATES OF AMERICA

### Agent

GOWLING WLG (CANADA) LLP  
SUITE 2600, 160 ELGIN STREET, OTTAWA,  
ONTARIO, K1P1C3

## TRADEMARK DETAILS

# SPORTSLINE

### Trademark Type

Word

### Services

#### Class 35

(1) Online and digital advertising of the goods and services of others; promoting the goods and services of others through advertisements on the Internet; promoting the goods and services of others by arranging for sponsors to affiliate their goods and services with fantasy-sport league competitions; provision of space on websites for advertising goods and services of others, advertising on the internet for others, rental of advertising space on the internet, compilation of advertisements for use as web pages on the internet, compilation of advertising directories for publishing on the internet.

(2) Online and digital advertising of the goods and services of others; promoting the goods and services of others through advertisements on the Internet; promoting the goods and services of others by arranging for sponsors to affiliate their goods and services with fantasy-sport league competitions; providing consumer product and services information, namely, news, information, reviews, and commentary about the goods and services of others, via electronic communication networks, the Internet, and portable and wireless communication devices in the fields of sports and fantasy sports.

**Application Number** 1,855,013  
**Language of Application** English

**Filing Date** 2017-08-29

## APPLICANT AND AGENT DETAILS

### Applicant

Professional Revitalization Services Inc.  
901 North Shore Blvd W  
Burlington  
ONTARIO  
L7T1A9

### Agent

STEPHEN WALTERS  
(STEPHEN WALTERS PROFESSIONAL  
CORPORATION), 6509 MISSISSAUGA  
ROAD, UNIT B, MISSISSAUGA, ONTARIO,  
L5N1A6

## TRADEMARK DETAILS

# PROVIVE

### Trademark Type

Word

### Services

#### Class 37

Surface restoration, surface treatment and surface protection of: (1) metals, fiberglass, glass, plastics, rubbers and coatings found in transportation, namely, buses, trains, monorails, street cars, subway cars, airplanes, boats, automobiles and cars, vans, motorcycles, trucks, trailers, motor homes, camping trailers, boats, yachts, personal watercraft, aircraft all of which are subject to fading from sunlight, or as a result of graffiti or other disfigurement. (2) concrete, aggregates, bricks, concrete blocks, natural stone namely granite, marble, limestone; and metals, fiberglass, glass, plastics, rubbers and coatings used in architectural design and construction, namely, commercial and residential building exteriors. (3) concrete, aggregates, bricks, concrete blocks, natural stone namely granite, marble, limestone; and metals, fiberglass, glass, plastics, rubbers and coatings used in architectural design and construction, namely, commercial and residential building interiors. (4) metals, fiberglass, glass, plastics, rubbers and coatings used in architectural design and construction, namely, elevators, escalators, and moving sidewalks. (5) concrete, aggregates, bricks, concrete blocks, metals, fiberglass, glass, plastics, rubbers and coatings used in public infrastructure, namely bridges, overpasses, underpasses, and roads. (6) metals, fiberglass, glass, plastics, rubbers and coatings used in public places namely, statues, art installations, park benches, recreational apparatus, play structures, swings and slides. (7) metals, fiberglass, glass, plastics, rubbers and coatings used by public and private utilities namely, switch boxes, transformers, switching stations, street lights, street signage and utility boxes and housings.

**Application Number** 1,855,458  
**Language of Application** English

**Filing Date** 2017-08-31

## APPLICANT AND AGENT DETAILS

### Applicant

adp Gauselmann GmbH  
Merkur-Allee 1-15  
32339  
Espelkamp  
GERMANY

### Agent

NEXUS LAW GROUP LLP  
777 Hornby Street, Suite 2000, Vancouver,  
BRITISH COLUMBIA, V6Z1S4

## TRADEMARK DETAILS

# TEQUILA QUEEN

### Trademark Type

Word

### Goods

#### Class 09

(1) Computer games; video games; video games adapted for use with external screens and monitors only; downloadable software for playing computer games via web browser, gaming console, cellular phone, and wireless video gaming device; software for playing video games; downloadable computer games provided through a global computer network, supplied by means of multi-media electronic broadcast, through telecommunications and electronic transmission, and via the internet; computer games and video games, all being provided in the form of storage media; automatic lottery draw machines; computer software for operating computer games on the internet; computer games software for playing online betting games, online prize games, online gambling games, online games of skill and online casino games; calculators in coin-operated amusement electronic games and parts therefor; games software for playing games on casino games, amusement arcade games, gaming machines, slot machines, and video lottery gaming machines; coin and banknote proofing machines and machines for verifying identification cards and credit cards; gaming software that generates and displays wager outcomes of gaming machines.

#### Class 28

(2) Gaming machines, including coin-operated gaming machines, networked and unnetworked; games for amusement arcades; coin-operated video gaming machines, networked and unnetworked; casino fittings, namely roulette tables, roulette wheels; coin-operated automatic gaming machines and gaming machines, in particular for gaming arcades, with and without a prize payout; electronic and electrotechnical gaming machines, games machines and slot machines, networked and unnetworked, operated by coins, tokens, banknotes, tickets and by means of electronic, magnetic and biometric storage media, in particular for commercial use in casinos and amusement arcades, with and without a prize payout; automatic gaming machines and gaming machines, in particular for commercial use in casinos and gaming arcades, with and without a prize payout; coin-operated gaming machines and electronic money-based gaming machines, with and without prizes; cabinets adapted for gaming machines and automatic gaming machines, networked and unnetworked, operated by means of coins, tokens, tickets and by means of electronic, magnetic and biometric storage media, in particular for commercial use in casinos and

gaming arcades, with and without a prize payout; electropneumatically and electrically driven gaming machines, video output game machines; gaming machines, networked and unnetworked, for selecting winners in prize games and lotteries, draws and raffles; cabinets of metal, plastic and wood for coin-operated automatic machines; gaming tables, in particular for table football, billiards, sliding games; quoits (playthings) and darts; electric, electronic and electromechanical gaming machines for bingo games, lotteries and video lottery games and for betting offices, networked and unnetworked; LCD games consoles; automatic gaming machines; apparatus for accepting and storing money, being a part of gaming machines.

**Claims**

Priority Filing Date: March 30, 2017, Country or Office: EUIPO (EU), Application No: 16529802 in association with the same kind of goods



**Application Number** 1,855,479  
**Language of Application** English

**Filing Date** 2017-08-31

## APPLICANT DETAILS

### Applicant

1938496 Ontario Inc. c.o.b. as Bang Bang Ice  
Cream and Bakery  
93A Ossington Ave  
Toronto  
ONTARIO  
M6J2Z2

## TRADEMARK DETAILS

### Trademark Type

Design

### Visual Representation



### Goods

#### Class 11

(1) electric waffle irons

#### Class 21

(2) ice cream scoops

#### Class 30

(3) cookies; ice cream; ice cream cones; ice cream sandwiches; waffles

### Services

#### Class 43

ice cream parlors

**Application Number** 1,856,771  
**Language of Application** English

**Filing Date** 2017-09-11

## APPLICANT AND AGENT DETAILS

### Applicant

Younique, LLC  
8400 Mayflower Ave.  
Lehi, UT 84043  
UNITED STATES OF AMERICA

### Agent

MOFFAT & CO.  
P.O. Box 2088, Station D, Ottawa, ONTARIO,  
K1P5W3

## TRADEMARK DETAILS

# MOODSTRUCK ESTEEM

### Trademark Type

Standard Characters

### Goods

#### Class 03

cosmetics; cosmetic preparations for eyelashes, namely, eyelash serum and eyelash growth serum; eye makeup

### Claims

Priority Filing Date: March 10, 2017, Country or Office: UNITED STATES OF AMERICA,  
Application No: 87366466 in association with the same kind of goods

**Application Number** 1,857,196  
**Language of Application** English

**Filing Date** 2017-09-06

## APPLICANT AND AGENT DETAILS

### Applicant

Würth International AG  
Aspermontstrasse 1  
7000 Chur  
SWITZERLAND

### Agent

KERR & NADEAU  
190 O'Connor Street, Suite 610, Ottawa,  
ONTARIO, K2P2R3

## TRADEMARK DETAILS

### Trademark Type

Design

### Visual Representation



### Goods

#### Class 06

(1) Screws of metal; bolts of metal; nuts of metal; wall plugs of metal.

#### Class 07

(2) Electric screwdrivers; screwdriver bits for machines.

#### Class 08

(3) Screw extractors; punches for screw manufacturing; screwdrivers and screwdriver bits for manual use.

**Application Number** 1,857,210  
**Language of Application** English

**Filing Date** 2017-09-13

## APPLICANT AND AGENT DETAILS

### Applicant

LOVING VINCENT SP. Z.O.O.  
ul. Cieszynskiego 15-17  
81-881 Sopot  
POLAND

### Agent

PERRY + CURRIER  
1300 YONGE STREET, SUITE 500,  
TORONTO, ONTARIO, M4T1X3

## TRADEMARK DETAILS

# LOVING VINCENT

### Trademark Type

Standard Characters

### Goods

#### Class 02

(1) Paints namely oil paints and sets of oil paints, watercolour paints, poster paints, acrylic paints, emulsion

#### Class 09

(2) Movies namely film connected with art, film connected with history, fictional films, documentaries, animations, musicals; sound, image and film recordings recorded in the form of recorded film tapes, video tapes, magnetic tapes, optical discs, digital recordings, CDs, DVDs, Blu-rays with soundtracks and films; Computer games; Mobile applications namely downloadable applications connected with art to demonstrate painting techniques; Decorative magnets.

#### Class 14

(3) Precious metals and their alloys; Jewellery; Precious and semi-precious stones

#### Class 16

(4) Paper and cardboard; Printed matter namely books and catalogues, newspapers, comics, periodicals, magazines, coloring books; Stationery and office requisites except furniture namely notepads and postcards, pens, rubber erasers, pencils, photographs, document folders, playing cards, pen-holders, ball-point pens, pencils, fountain-pens, chalk, drawing squares and rulers, envelopes, letter paper, letter openers, paper knives for office purposes, self-adhesive ad labels, visit-cards, diaries; Bookbinding material; Photographs; Adhesives for stationery and household purposes; Artists' and drawing materials namely, paintbrushes, paint by numbers books; Instructional and teaching materials namely books, workbook, handbook; Printers' type; Printing blocks; Art pictures; Pictures; Posters.

#### Class 18

(5) Leather and imitations of leather; Animal skins and hides; Luggage and carrying bags namely handbags and backpacks, tote bags containing reproductions of artwork; Umbrellas and parasols; Walking sticks; Wallets.

#### Class 21

(6) Unworked or semi-worked glass, except building glass; Earthenware; Glassware and porcelain namely cups, mugs, drinking glasses, plates, table glassware, glass refrigerating bottles, artificial objects and decorative objects of glass and porcelain namely decorative figurine and glass sheets used in the manufacture of beverage glassware, pieces of cut and uncut crystal-glass, pots, bowls and vases.

#### **Class 24**

(7) Textiles and substitutes for textiles namely pillow cases, shower curtains, bed linens; Household linen; Curtains of textile or plastic.

#### **Class 25**

(8) Clothing, namely t-shirts, gloves, jackets, shirts, scarves, trousers, sweatshirts, dresses, skirts and children's athletic apparel; footwear, namely shoes; headgear, namely hats, caps.

#### **Class 27**

(9) Carpets

#### **Class 28**

(10) Games, toys and articles for play, namely board games, playing cards and card games, trivia games played with cards and game components, jigsaw puzzles, kaleidoscopes, Christmas tree decorations.

### **Services**

#### **Class 41**

Educational services, namely, providing painter training courses, workshops, seminars, and training in the fields of film, and painting animation technology in film; Entertainment in the nature of live and interactive Page 4 of 5 online performances, namely, film, dance, theatre and visual art performances; Cultural activities in the fields of art and film, namely, the organization of exhibitions and vernissages, organization of educational meetings of the public with authors and artists and organization of literary, film, drama and art, competitions in the field of the literary, visual and performing arts; Production, presentation, distribution, and rental of motion picture films, television and radio programs, and music and music video recordings; Production of entertainment shows and interactive programs connected with film, art, history of art for distribution via television, cable, satellite, laser discs, computer discs, digital distribution; Production and provision of entertainment via communication and computer networks namely painting programs, learning platforms and courses online; Production and sharing of news and information related to cinematography and the art namely painting, sculpting (including the organization of art exhibitions); Presentation of live stage shows featuring musical and art performances; Theater productions; Entertainment services, namely, presentation of live performances featuring actors portraying Vincent Van Gogh and other historic persons and providing live venues for the public to participate in cultural activities in the fields of film, dance, music, theater; Providing online augmented reality, video and computer games; Publishing services, namely, publishing of books and other printed materials in the nature of magazines and newspapers and publishing such content online

### **Claims**

Priority Filing Date: July 18, 2017, Country or Office: EUIPO (EU), Application No: 016693503 in association with the same kind of goods (8); July 18, 2017, Country or Office: EUIPO (EU), Application No: 016993503 in association with the same kind of goods (1), (2), (3), (4), (5), (6), (7), (9), (10) and in association with the same kind of services

**Application Number** 1,857,211  
**Language of Application** English

**Filing Date** 2017-09-13

## APPLICANT AND AGENT DETAILS

### Applicant

LOVING VINCENT SP. Z.O.O.  
ul. Cieszynskiego 15-17  
81-881 Sopot  
POLAND

### Agent

PERRY + CURRIER  
1300 YONGE STREET, SUITE 500,  
TORONTO, ONTARIO, M4T1X3

## TRADEMARK DETAILS

### Trademark Type

Design

### Visual Representation



### Goods

#### Class 02

(1) Paints namely oil paints and sets of oil paints, watercolour paints, poster paints, acrylic paints, emulsion

#### Class 09

(2) Movies namely film connected with art, film connected with history, fictional films, documentaries, animations, musicals; sound, image and film recordings recorded in the form of recorded film tapes, video tapes, magnetic tapes, optical discs, digital recordings, CDs, DVDs, Blu-rays with soundtracks and films; Computer games; Mobile applications namely downloadable applications connected with art to demonstrate painting techniques; Decorative magnets.

#### Class 14

(3) Precious metals and their alloys; Jewellery; Precious and semi-precious stones

#### Class 16

(4) Paper and cardboard; Printed matter namely books and catalogues, newspapers, comics, periodicals, magazines, coloring books; Stationery and office requisites except furniture namely notepads and postcards, pens, rubber erasers, pencils, photographs, document folders, playing cards, pen-holders, ball-point pens, pencils, fountain-pens, chalk, drawing squares and rulers, envelopes, letter paper, letter openers, paper knives for office purposes, self-adhesive ad labels, visit-cards, diaries; Bookbinding material; Photographs; Adhesives for stationery and household purposes; Artists' and drawing materials namely, paintbrushes, paint by numbers books; Instructional and teaching materials namely books, workbook, handbook; Printers' type; Printing blocks; Art pictures; Pictures; Posters.

#### Class 18

(5) Leather and imitations of leather; Animal skins and hides; Luggage and carrying bags namely handbags and backpacks, tote bags containing reproductions of artwork; Umbrellas and parasols; Walking sticks; Wallets

#### **Class 21**

(6) Unworked or semi-worked glass, except building glass; Earthenware; Glassware and porcelain namely cups, mugs, drinking glasses, plates, table glassware, glass refrigerating bottles, artificial objects and decorative objects of glass and porcelain namely decorative figurine and glass sheets used in the manufacture of beverage glassware, pieces of cut and uncut crystal-glass, pots, bowls and vases.

#### **Class 24**

(7) Textiles and substitutes for textiles namely pillow cases, shower curtains, bed linens; Household linen; Curtains of textile or plastic

#### **Class 25**

(8) Clothing, namely t-shirts, gloves, jackets, shirts, scarves, trousers, sweatshirts, dresses, skirts and children's athletic apparel; footwear, namely shoes; headgear, namely hats, caps

#### **Class 27**

(9) Carpets

#### **Class 28**

(10) Games, toys and articles for play, namely board games, playing cards and card games, trivia games played with cards and game components, jigsaw puzzles, kaleidoscopes, Christmas tree decorations

### **Services**

#### **Class 41**

Educational services, namely, providing painter training courses, workshops, seminars, and training in the fields of film, and painting animation technology in film; Entertainment in the nature of live and interactive online performances, namely, film, dance, theatre and visual art performances; Cultural activities in the fields of art and film, namely, the organization of exhibitions and vernissages, organization of educational meetings of the public with authors and artists and organization of literary, film, drama and art, competitions in the field of the literary, visual and performing arts; Production, presentation, distribution, and rental of motion picture films, television and radio programs, and music and music video recordings; Production of entertainment shows and interactive programs connected with film, art, history of art for distribution via television, cable, satellite, laser discs, computer discs, digital distribution; Production and provision of entertainment via communication and computer networks namely painting programs, learning platforms and courses online; Production and sharing of news and information related to cinematography and the art namely painting, sculpting (including the organization of art exhibitions); Presentation of live stage shows featuring musical and art performances; Theater productions; Entertainment services, namely, presentation of live performances featuring actors portraying Vincent Van Gogh and other historic persons and providing live venues for the public to participate in cultural activities in the fields of film, dance, music, theater; Providing online augmented reality, video and computer games; Publishing services, namely, publishing of books and other printed materials in the nature of magazines and newspapers and publishing such content online

### **Claims**

Priority Filing Date: July 18, 2017, Country or Office: EUIPO (EU), Application No: 016993651 in association with the same kind of goods and in association with the same kind of services



**Application Number** 1,857,310  
**Language of Application** English

**Filing Date** 2017-09-13

## APPLICANT AND AGENT DETAILS

### Applicant

PRIVA HOLDING B.V.  
Zijlweg 3  
2678 LC DE LIER  
NETHERLANDS

### Agent

GOWLING WLG (CANADA) LLP  
550 BURRARD STREET, SUITE 2300,  
VANCOUVER, BRITISH COLUMBIA, V6C2B5

## TRADEMARK DETAILS

# PRIVA COMPASS

### Trademark Type

Standard Characters

### Goods

#### Class 09

Scientific apparatus and instruments, namely, electronic sensors, programmable electronic data acquisition and control apparatus for environmental monitoring, environmental control, energy management, plant irrigation, plant nutrient management, alarm monitoring and alarm event management air treatment and climate control, water and energy management in buildings and environments for indoor growing and greenhouses, in commercial buildings and in residential buildings as well as water and energy management in horticulture and agriculture; optical and electronic detectors, namely optical inspection apparatus, cameras and optical sensors, wind speed sensors, wind direction sensors, rain sensors, rain intensity sensors, temperature sensors, humidity sensors, linear light sensors, pyrano radiation sensors, snow detection sensors, water temperature sensors, EC sensors, pH sensors, PAR (photosynthetic active radiation) sensor, CO2 sensors, plant temperature sensors, drain sensors, weighing scale sensors, weighing sensors for use in building automation systems and horticulture and agriculture automation systems, timing sensors and electronic motion sensitive switches, electronic temperature alarms for horticultural production and in buildings and environments for indoor growing and greenhouses, in commercial buildings and in residential buildings; measuring, dosing, signaling, monitoring, regulating and supervision apparatus and instruments, namely automation systems for buildings and automation systems for horticulture comprising of devices controlled wirelessly and through wired controllers being sensors for measuring acceleration, humidity, airflow, water level, lighting, carbon dioxide, pressure, temperature, distances, infrared sensors, liquid level sensors, automatic solar tracking sensors, electronic sensors for measuring solar radiation, biochip sensors, closed-circuit television cameras, cameras with linear image sensors, LED position sensors, motion sensors, optical sensors, pollutant sensors, projected capacitive touch sensors, proximity sensors, devices for adjusting humidity, airflow, water level, lighting, carbon dioxide, pressure, temperature, liquid fertilizer levels; software for lighting, heating, controlling closed circuit television cameras for building security unauthorized entry, alarm systems for fire, as well as systems for registration of presence of persons, contamination of air and water, legionella prevention and air quality and controlling sensors for fire safety exits, humidification, dehumidification, CO2 dosing, water disinfecting and air conditioning apparatus and installations, of programmable electronic data acquisition and control apparatus for environmental monitoring, environmental control, air

treatment, energy management, water management, plant irrigation, plant nutrient management, alarm monitoring and alarm event management within horticultural production and in buildings and environments for indoor growing and greenhouses, in commercial buildings and in residential buildings, of air-conditioning apparatus and instruments, of computers, of computer networks and of computer peripherals; computers and computer monitors, keyboards and touchscreens; recorded computer programs more specifically for technical, administrative and management applications enabling users to monitor, analyze, report and control upon energy usage for energy management, to monitor, dose and control water and fertilizer, and for analyzing production and labour data; recorded computer software for controlling the environment, air treatment and climate control, water and energy management in buildings and environments for indoor growing and greenhouses, in commercial buildings and in residential buildings as well as water and energy management in horticulture and agriculture; fertilizer dosing installations, namely, dispensers of preset portions of fertilizers in fluid, solid, granulated and powder form; data recording and storage devices, namely black box data recorders for smart buildings that record data on the indoor climate and on entry, and programmable electronic data acquisition apparatus for use in horticultural production and building automation; downloadable publications, namely books, magazines, brochures and user manuals in the field of controlling the environment, air treatment and climate control, water and energy management in buildings and environments for indoor growing and greenhouses in commercial buildings and in residential buildings as well as water and energy management in horticulture and agriculture; calculators; computer software, namely software applications, operating software and application programming interfaces (APIs) for smart buildings and process optimization namely for controlling the indoor climate, air treatment and climate control, lighting, heating, water and energy management in buildings and rooms for indoor cultivation and growing and greenhouses, in commercial buildings and in residential buildings as well as water and energy management in horticulture and agriculture, namely for technical, administrative and management applications enabling users to manage the use of water and energy, software for recording and optimizing labor productivity and labor costs and software for controlling crop quality, software for measuring, monitoring, dosing, mixing and controlling water and fertilizers; programmable electronic data acquisition and control apparatus for environmental monitoring, environmental control, energy management, alarm monitoring and alarm event management in horticulture, indoor growing facilities, commercial buildings and residential buildings and for plant irrigation, plant nutrient management, within horticultural production.

## **Services**

### **Class 42**

Consulting and research services in the industrial field, namely consultancy, research, design and analysis of systems in the field of controlling the environment, air treatment and climate control, water and energy management in buildings and environments for indoor growing and greenhouses, in commercial buildings and in residential buildings as well as water and energy management in horticulture and agriculture, including design and analysis of computer systems; computer programming in the framework of application of production machines, tools and systems, of mixers, of water disinfecting apparatus and installations, of building automation systems comprising wireless and wired controllers, controlled devices, and software for lighting, heating, security, safety, humidification, dehumidification, CO2 dosing, water disinfecting and air conditioning apparatus and installations, of programmable electronic data acquisition and control apparatus for environmental monitoring, environmental control, air treatment, energy management, water management, plant irrigation, plant nutrient management, alarm monitoring and alarm event management within horticultural production and in buildings and environments for indoor growing and greenhouses, in commercial buildings and in residential buildings, of air-conditioning

apparatus and instruments, of computers, of computer networks and of computer peripherals; conversion of electronic data in the field of controlling the environment, air treatment and climate control, water and energy management in buildings and environments for indoor growing and greenhouses, in commercial buildings and in residential buildings as well as water and energy management in horticulture and agriculture, namely conversion of data or documents from physical to electronic media and document data transfer and conversion from one media to another; design, development and testing of algorithms and software, computer networks, computer hardware, websites and databases all for use in the in the field of controlling the environment, air treatment and climate control, water and energy management in buildings and environments for indoor growing and greenhouses, in commercial buildings and in residential buildings as well as water and energy management in horticulture and agriculture; analysis of technical data for environmental monitoring, climate control, energy management, water management, air treatment, plant irrigation, plant nutrient management, alarm monitoring and alarm event management within horticultural production and in buildings and environments for indoor growing and greenhouses, in commercial buildings and in residential buildings; provision of technical data reports on energy management, plant irrigation, plant nutrient management, alarm monitoring and alarm event management within horticultural production and in buildings and environments for indoor growing and greenhouses, in commercial buildings and in residential buildings; computer- aided industrial and scientific analysis, namely analysis of stream water quality, soil analysis and greenhouse gas emission measuring and analysis; computer-aided industrial design services; design and development of computer software for database management in the field of controlling the environment, air treatment and climate control, water and energy management in buildings and environments for indoor growing and greenhouses, in commercial buildings and in residential buildings as well as water and energy management in horticulture and agriculture; providing temporary use of on-line non-downloadable software for database management in the field of controlling the environment, air treatment and climate control, water and energy management in buildings and environments for indoor growing and greenhouses, in commercial buildings and in residential buildings as well as water and energy management in horticulture and agriculture; cloud computing in the field of controlling the environment, air treatment and climate control, water and energy management in buildings and environments for indoor growing and greenhouses, in commercial buildings and in residential buildings as well as water and energy management in horticulture and agriculture, namely cloud computing provider services for general storage of data, cloud computing providing software for database management and cloud computing web hosting services; consultancy in the field of cloud computing networks and applications in the field of controlling the environment, air treatment and climate control, water and energy management in buildings and environments for indoor growing and greenhouses, in commercial buildings and in residential buildings as well as water and energy management in horticulture and agriculture; design and development of operating software for accessing and using a cloud computing network in the field of controlling the environment, air treatment and climate control, water and energy management in buildings and environments for indoor growing and greenhouses, in commercial buildings and in residential buildings as well as water and energy management in horticulture and agriculture; programming of operating software for accessing and using a cloud computing network in the field of controlling the environment, air treatment and climate control, water and energy management in buildings and environments for indoor growing and greenhouses, in commercial buildings and in residential buildings as well as water and energy management in horticulture and agriculture; providing temporary use of on- line non-downloadable operating software for accessing and using a cloud computing network in the field of controlling the environment, air treatment and climate control, water and energy management in buildings and environments for indoor growing and

greenhouses, in commercial buildings and in residential buildings as well as water and energy management in horticulture and agriculture; Software as a service [SaaS], namely hosting and providing online software for controlling the environment and for analyzing production and labor data and for controlling the environment, air treatment and climate control, water and energy management in buildings and environments for indoor growing and greenhouses, in commercial buildings and in residential buildings as well as water and energy management in horticulture and agriculture; technical consultancy in the field of water and energy saving and efficiency.

**Application Number** 1,857,752  
**Language of Application** English

**Filing Date** 2017-09-15

## **APPLICANT DETAILS**

**Applicant**  
PROSPERITY PLUS HOLDINGS LTD.  
153 Morris  
Canmore  
ALBERTA  
T1W2W5

## **TRADEMARK DETAILS**

**It's All About Deployment.**

**Trademark Type**  
Word

**Goods**

**Class 13**

(1) bags specially made for ammunition

**Class 18**

(2) back packs; bags for campers; belt bags and hip bags; fanny packs;

**Class 28**

(3) bags specially adapted for sports equipment;

**Application Number** 1,858,927  
**Language of Application** English

**Filing Date** 2017-09-21

## APPLICANT AND AGENT DETAILS

### Applicant

Red Lion Hotels Franchising, Inc.  
201 W. North River Drive, Suite 100  
Spokane, WA 99201  
UNITED STATES OF AMERICA

### Agent

BORDEN LADNER GERVAIS LLP  
World Exchange Plaza, 100 Queen Street,  
Suite 1300, Ottawa, ONTARIO, K1P1J9

## TRADEMARK DETAILS

### Trademark Type

Design

### Visual Representation



### Services

#### Class 35

(1) offering marketing and business management assistance in the establishment and operation of hotels and motels

#### Class 43

(2) hotel and motel services

### Claims

Priority Filing Date: September 20, 2017, Country or Office: UNITED STATES OF AMERICA,  
Application No: 87616079 in association with the same kind of services

**Application Number** 1,858,962  
**Language of Application** English

**Filing Date** 2017-09-22

## APPLICANT AND AGENT DETAILS

### Applicant

Razer (Asia-Pacific) Pte. Ltd.  
514 Chai Chee Lane  
#07-05 469029  
SINGAPORE

### Agent

FASKEN MARTINEAU DUMOULIN LLP  
800 rue Square-Victoria, BUREAU 3700, C.P.  
242, MONTREAL, QUEBEC, H4Z1E9

## TRADEMARK DETAILS

### Trademark Type

Design

### Visual Representation



### Services

#### Class 35

(1) Providing an electronic cloud-based database of business directory information; Promoting the goods and services of others through advertisements on Internet websites, promoting the goods and services of others through the distribution of discount cards, promoting the sale of goods and services of others by awarding purchase points for credit card use, promoting the goods and services of others by preparing and placing advertisements in electronic magazines; Provision of market research information; Retail sale services, namely retail store services featuring a wide variety of consumer goods, namely, jewellery, headwear, furniture, furnishing fabrics, furnishing and upholstery fabrics, home appliances, mobile phones, preparations for making beverages, beverages and foodstuffs, computer hardware, computer software, laptops, tablets, notebooks, handheld computers, wearable peripherals for playing computer and video games for use with augmented and virtual reality software applications, computer mice, computer keyboards, computer keypads, computer pens, computer joysticks, computer trackballs, flight yokes for computer and video games, steering wheels for computer and video games, accelerator pedals and brake pedals for computer and video games, guns for computer and video games, motion sensors for computer and video games, eyewear, digital eyewear, handheld gaming devices,

computer and video games, apparel, bags, cases and sleeves for laptops, tablets, notebooks, mobile phones, wearable electronic devices, namely, wearable computer peripherals, namely, wearable smart wristbands which can be connected to computers, laptops, tablets, smart phones and head mounted screen device by wireless technology, handheld computers and other electronics namely, computer mice, computer keyboards, computer keypads, video game controllers and online retail services featuring jewellery, headwear, furniture, furnishing fabrics, furnishing and upholstery fabrics, home appliances, mobile phones, preparations for making beverages, beverages and foodstuffs, computer hardware, computer software, laptops, tablets, notebooks, handheld computers, wearable peripherals for playing computer and video games and for use with augmented and virtual reality software applications, wearable mobile electronic devices, namely, head mounted screen devices, smart watches, electronic devices worn on the wrist, around the neck and different parts of the body, parts and components for the wearable mobile electronic devices, namely, head mounted screen devices, smart watches, electronic devices worn on the wrist, around the neck and different parts of the body, computer mice, computer keyboards, computer keypads, computer pens, computer joysticks, computer trackballs, flight yokes for computer and video games, steering wheels for computer and video games, accelerator pedals and brake pedals for computer and video games, guns for computer and video games, motion sensors for computer and video games, eyewear, digital eyewear, handheld gaming devices, computer and video games, apparel, bags, cases and sleeves for laptops, tablets, notebooks, wearable electronic devices, namely, wearable computer peripherals, namely, wearable smart wristbands which can be connected to computers, laptops, tablets, smart phones and head mounted screen device by wireless technology, wearable computer peripherals namely, wearable smart wristbands which can be connected to computers, laptops, tablets, smart phones and head mounted screen device by wireless technology, location-aware and context-aware wearable devices namely, wearable smart wristbands which can be connected to computers, laptops, tablets, smart phones and head mounted screen device by wireless technology, wearable computers, GPS-enabled wearables namely, wearable smart wristbands which can be connected to computers, laptops, tablets, smart phones and head mounted screen device by wireless technology, parts and components for the wearable electronic devices, namely, wearable computer peripherals, namely, wearable smart wristbands which can be connected to computers, laptops, tablets, smart phones and head mounted screen device by wireless technology, handheld computers and other electronics namely, computer mice, computer keyboards, computer keypads, and video game controllers; Invoicing; Drawing up of statements of accounts; Administration of consumer loyalty programs; Business management of reimbursement programs for others; Promoting the goods and services of others through distribution of redeemable coupons; Discount services, namely, retail, wholesale, and sales promotion services, namely, promoting the sale of goods and services of others through promotions, discounts and electronic couponing; Promoting the goods and services of others through the administration of sales and promotional incentive schemes involving coupons; Sales promotion through customer loyalty programmes; Business management assistance in the nature of managing and tracking credit cards, debit cards, gift cards, virtual currency, coupons, vouchers, prepaid cards, stored value cards and other forms of payment transactions for business purposes; Issuing and providing receipts for electronic payments and payment transactions; Provision of information and advisory services relating to e-commerce via an internet website portal; Business information management, namely, electronic reporting of business marketing information, business analytics, namely, business information and business analytics regarding the sale of products and services of others, and regarding the authenticating and management of mobile payments; Business information management, namely, electronic reporting of business analytics in the field of electronic payment processing, user tracking and identification; Electronic processing of purchase orders for others; Promoting goods



and services through the distribution of discount cards and administration of a discount program for enabling participants to obtain discounts on goods and services through use of a discount membership card; Administration of consumer loyalty programs allowing members to redeem vouchers for payment of goods and services in the field of computer and video games.

### **Class 36**

(2) Financial transaction services, namely, providing secure authorization and secure processing services for credit card and debit card transactions; Financial services, in particular providing a virtual currency for use by members of an online community in the field of computer and video gaming via a global computer network; Virtual currency exchange transaction services for transferrable electronic cash equivalent units having a specified cash value; Payment processing services, namely, providing virtual currency transaction processing services for others; Electronic payment administration, processing and subsequent transmission of bill payment data; Electronic funds transfer via electronic communications networks; electronic wallet services, namely, issuance, storage, redemption and electronic transfer of a virtual currency for electronic payments and transactions; Providing online processing of credit card transactions and electronic payments via computer and communication networks; Credit and debit card payment processing services; Processing electronic payments made through virtual currency, coupons, vouchers, gift cards, prepaid cards, stored value cards and prepaid tokens; Issue of virtual currency, coupons, vouchers, gift cards, prepaid cards, stored value cards and prepaid tokens of value for purchasing goods and for using services, and for claiming discounts, and bonus points in digital form using software, applications for mobile devices, via internet homepages, by e-mail; Financial services, namely providing virtual currency, coupons, vouchers, gift cards, prepaid cards, stored value cards and prepaid tokens for the purchase and payment of goods in the field of computer and video games; Financial analysis; Cryptocurrency services in the nature of financial services, namely, providing a virtual currency for use by registered users of an on-line community in the field of computer and video games via a global computer network; Digital money services in the nature of financial services, namely, providing a virtual currency for use by registered users of an on-line community in the field of computer and video games via a global computer network; Electronic transfer of virtual currencies; Financial services, namely, providing electronic transfer of a virtual currency for use by members of an online community via a global computer network; Providing financial sponsorship for e-sports competitions; Financial information, namely financial forecasting, financial planning, financial valuations; Financial analysis consultation services; Financial analysis; Issuance of virtual currency to perform electronic business transactions, coupons, vouchers, gift cards, prepaid cards, stored value cards, tokens of value for facilitating electronic commerce transactions; Providing information via a web site concerning the use and maintenance of electronic wallets and the processing of electronic payments made through electronic wallets and providing electronic wallet account balance and transactional information via a website; Providing rebates at participating establishments of others through use of a membership card; Processing electronic payments made through prepaid cards; Issuing of virtual currency, coupons, vouchers, gift cards, prepaid cards, stored value cards and tokens of value in the field of customer loyalty schemes; Issuing of virtual currency, coupons, vouchers, gift cards, prepaid cards, stored value cards and tokens of value in the field of incentive schemes; Financial transaction services, namely providing secure authorization and secure processing services for electronic payment transactions in relation to purchases made in online games; Financial administration and management of loyalty coupon payment processing in association with video games customer loyalty programs; Financial administration and management of cashless payment processing and payment systems in association with video games customer loyalty programs; Electronic transfer of virtual currencies; Electronic commerce payment services, namely, establishing funded accounts used to

purchase goods and services on the Internet; processing of mobile payments; Payment of bills and customer accounts for others; Facilitating secure e-commerce transactions namely by providing cryptocurrency tokens via a peer-to-peer network; Peer-to-peer virtual currency exchange services for transferrable electronic cash equivalent units having a specified cash value that can be exchanged for virtual currency and converted into traditional currency or gold; Information, advice and consultancy in the fields of issuance, storage, redemption, administration, management, processing and electronic transfer of traditional currency, digital currency, coupons, vouchers, gift cards, prepaid cards, stored value cards and tokens.

### **Class 38**

(3) Software and platform as a service (SAAS) and (PAAS) featuring computer software platforms for third parties to exchange and sell their respective goods and services in the field of computer and video games; Transmission of photographic images, text, graphics via a global computer network; Providing access to Internet platforms for third parties to exchange and sell their respective goods and services.

### **Class 42**

(4) Providing temporary use of non-downloadable computer software that allows users to send, receive, transfer and store digital currency; Providing a secure, web-based service that enables users to remotely access, send, receive, transfer, store, and manage digital currency; Designing, programming, and doing maintenance of computer programs for use in electronic commerce transactions; Providing search engines for electronic commerce transactions; Designing, programming, and doing maintenance of computer programs (software) for authenticating users in electronic commerce transactions; Providing electronic commerce computer software to allow users to perform electronic business transactions via a global computer network; Designing, programming, and doing maintenance of Internet websites for electronic commerce transactions; Electronic storage of traditional currency and virtual currency via electronic wallets; Designing, creating, maintaining and hosting online retail and electronic commerce websites for others; Constructing and hosting internet platforms for payment processing and transfer; Platform as a service (PaaS) services featuring games monetization computer platform software for providing a virtual currency for use in video games by members of an on-line community via a global computer network; Information, advice and consultancy in the fields of user authentication and safeguarding of electronic transfers of traditional currency, digital currency, coupons, vouchers, gift cards, prepaid cards, stored value cards and tokens; Providing temporary use of on-line non-downloadable software and software platforms for facilitating, enabling and processing electronic payments, processing of real-time electronic payments, processing of electronic commerce transactions; digital wallet electronic payment services, namely cloud computing enabling storage of personal identification information and personal financial information stored in identity cards, credit cards, debit cards, pre-paid cards, gift cards, digital currency, and the transmission and exchange of such information between customers and vendors for electronic commerce transactions and for purchases of goods and services made during online game play, via a global computer network; Constructing and hosting internet platforms for electronic payment processing and transfer.

### **Claims**

Priority Filing Date: April 28, 2017, Country or Office: SINGAPORE, Application No: 40201707575X in association with the same kind of services

**Application Number** 1,859,241  
**Language of Application** English

**Filing Date** 2017-09-25

## APPLICANT AND AGENT DETAILS

### Applicant

Furrion Property Holding Ltd.  
Units 614- 615, Level 6  
Core D, Cyberport 3  
100 Cyberport Road  
HONG KONG

### Agent

BERESKIN & PARR LLP/S.E.N.C.R.L., S.R.L.  
SCOTIA PLAZA, 40 KING STREET WEST,  
40th FLOOR, TORONTO, ONTARIO, M5H3Y2

## TRADEMARK DETAILS

### Trademark Type

Design

### Visual Representation

**FURRION**

### Goods

#### Class 07

(1) hydraulic machines, namely hydraulic pumps; dishwashers; dishwashers and parts thereof; power blowers for lawn debris and snow blowers; generators of electricity; vacuum cleaners; wind turbines; robotic exoskeleton suit worn and mechanically powered by an individual for racing competitions

#### Class 09

(2) electric control panel; bags adapted for carrying electric apparatus, namely cables, sockets and cable adaptors; straps adapted for organizing and carrying electric apparatus, namely cables, sockets and cable adaptors; electric storage batteries; electric apparatus and instruments for conducting, switching, transforming, storing, regulating and controlling electric current, namely sockets, switchboxes, electric converters, electric cables, power cables, cable adaptors, plugs and connections for electric lines; plastic cable protectors; routers namely, wireless network routers and network routers; audio amplifiers; audio speakers; televisions; cameras; navigation apparatus for vehicles namely global positioning system apparatus namely, global positioning system receivers; radios; players for compact discs, DVDs and other digital recording media namely, MP3s and MP4s; microphones; radio signal antennas; television signal antennas; video cables; audio cables; optical cables; digital optical fiber cables; speaker stands; mounting brackets for cameras; video cameras; television channel amplifiers; remote controls for radios, televisions, stereos; solar panels for the production of electricity; computer software for mobile phones, tablets and laptop computers for controlling and operating of consumer electric appliances; solar batteries; electric battery chargers for use with smart phones, digital cameras, MP3 players, portable loudspeakers, portable and rechargeable battery units, portable coolers; electric monitoring apparatus, namely circuit breakers, plug-in bases, residual current circuit breakers; robots, namely humanoid robots for educational studies in the field of mechanical engineering

#### Class 11

(3) refrigerating apparatus and machines, namely, refrigerators, freezers, refrigerating cabinets; conventional and convection ovens; microwave ovens; hot air ovens; kitchen ranges; stoves; air conditioners; fans for air conditioning units; barbecues; water filtering apparatus namely, water filtering units for domestic and industrial use; electric kettles; ventilation hoods; extractor hoods for kitchens; electric fireplaces; electric radiant heaters for household purposes and heaters for vehicles

**Application Number** 1,859,244  
**Language of Application** English

**Filing Date** 2017-09-25

## APPLICANT AND AGENT DETAILS

### Applicant

Furrion Property Holding Ltd.  
Units 614- 615, Level 6  
Core D, Cyberport 3  
100 Cyberport Road  
HONG KONG

### Agent

BERESKIN & PARR LLP/S.E.N.C.R.L., S.R.L.  
SCOTIA PLAZA, 40 KING STREET WEST,  
40th FLOOR, TORONTO, ONTARIO, M5H3Y2

## TRADEMARK DETAILS

### Trademark Type

Design

### Visual Representation



### Goods

#### Class 07

(1) hydraulic machines, namely hydraulic pumps; dishwashers; dishwashers and parts thereof; power blowers for lawn debris and snow blowers; generators of electricity; vacuum cleaners; wind turbines; robotic exoskeleton suit worn and mechanically powered by an individual for racing competitions

#### Class 09

(2) electric control panel; bags adapted for carrying electric apparatus, namely cables, sockets and cable adaptors; straps adapted for organizing and carrying electric apparatus, namely cables, sockets and cable adaptors; electric storage batteries; electric apparatus and instruments for conducting, switching, transforming, storing, regulating and controlling electric current, namely sockets, switchboxes, electric converters, electric cables, power cables, cable adaptors, plugs and connections for electric lines; plastic cable protectors; routers namely, wireless network routers and network routers; audio amplifiers; audio speakers; televisions; cameras; navigation apparatus for vehicles namely global positioning system apparatus namely, global positioning system receivers; radios; players for compact discs, DVDs and other digital recording media namely, MP3s and MP4s; microphones; radio signal antennas; television signal antennas; video cables;

audio cables; optical cables; digital optical fiber cables; speaker stands; mounting brackets for cameras; video cameras; television channel amplifiers; remote controls for radios, televisions, stereos; solar panels for the production of electricity; computer software for mobile phones, tablets and laptop computers for controlling and operating of consumer electric appliances; solar batteries; electric battery chargers for use with smart phones, digital cameras, MP3 players, portable loudspeakers, portable and rechargeable battery units, portable coolers; electric monitoring apparatus, namely circuit breakers, plug-in bases, residual current circuit breakers; robots, namely humanoid robots for educational studies in the field of mechanical engineering

**Class 11**

(3) refrigerating apparatus and machines, namely, refrigerators, freezers, refrigerating cabinets; conventional and convection ovens; microwave ovens; hot air ovens; kitchen ranges; stoves; air conditioners; fans for air conditioning units; barbecues; water filtering apparatus namely, water filtering units for domestic and industrial use; electric kettles; ventilation hoods; extractor hoods for kitchens; electric fireplaces; electric radiant heaters for household purposes and heaters for vehicles

**Application Number** 1,859,590  
**Language of Application** English

**Filing Date** 2017-09-26

## APPLICANT AND AGENT DETAILS

### Applicant

ORTHOFIX S.R.L.  
Via Delle Nazioni, 9  
I-37012 Bussolengo (VR)  
ITALY

### Agent

ANDREWS ROBICHAUD  
1673 Carling Avenue, Suite 215, Ottawa,  
ONTARIO, K2A1C4

## TRADEMARK DETAILS

### Trademark Type

Design

### Visual Representation

### Goods

#### Class 10

Medical and surgical apparatus and instruments, namely medical and surgical instruments for orthopedic surgery; orthopedic implants and fixation devices; internal orthopedic devices for fixing, aligning or stabilization, namely nails and screws for treatment of bone deformities, bone fractures, traumatic bone lesions; Orthopedic instruments, such as targeting handle, measuring gauges, gradual reamers, reamers, trocars, drill bits, screwdrivers, tissue guides, reduction instruments and guide wires, for treatment of bone deformities, bone fractures, traumatic bone lesions

### Claims

Priority Filing Date: April 11, 2017, Country or Office: ITALY, Application No: 302017000040220 in association with the same kind of goods

**Application Number** 1,860,349  
**Language of Application** English

**Filing Date** 2017-09-29

## APPLICANT AND AGENT DETAILS

### Applicant

Sugar Mountain Capital, LLC  
801 Blanchard Street  
Suite 400  
Seattle, WA 98121  
UNITED STATES OF AMERICA

### Agent

CLARK WILSON LLP  
900 - 885 WEST GEORGIA STREET,  
VANCOUVER, BRITISH COLUMBIA, V6C3H1

## TRADEMARK DETAILS

### Trademark Type

Design

### Visual Representation



## Goods

### Class 29

(1) cheese; pre-packaged food combinations consisting primarily of cheese, and also including crackers; food package combinations consisting primarily of cheese

### Class 30

(2) crackers; pre-packaged dinners consisting primarily of rice and vegetables; frozen, prepared and packaged entrees consisting primarily of rice; frozen, prepared and packaged entrees consisting primarily of pasta; bread, breadsticks and crackers; cheese sauce; food package combinations consisting primarily of bread; food package combinations consisting primarily of crackers; prepared frozen meals, namely macaroni and cheese



**Application Number** 1,860,674  
**Language of Application** English

**Filing Date** 2017-10-03

## APPLICANT AND AGENT DETAILS

### Applicant

Artesyn Embedded Technologies, Inc.  
2900 South Diablo Way  
Suite 190  
Tempe, AZ 85282  
UNITED STATES OF AMERICA

### Agent

CASSELS BROCK & BLACKWELL LLP  
SCOTIA PLAZA, SUITE 2100, 40 KING  
STREET WEST, TORONTO, ONTARIO,  
M5H3C2

## TRADEMARK DETAILS

### Trademark Type

Design

### Visual Representation



### Goods

#### Class 09

Providing access to a website featuring software tools for selecting and configuring power supplies and power systems comprised of computer power supplies and racks and shelves specially adapted for use with computer power supplies.

### Services

#### Class 42

Computer services, namely, providing online technological information in the field of power supplies and power systems comprised of computer power supplies and racks and shelves specially adapted for use with computer power supplies via a website; hosting a website featuring software tools for selecting and configuring power supplies and power systems comprised of computer power supplies and racks and shelves specially adapted for use with computer power supplies

### Claims

Priority Filing Date: April 12, 2017, Country or Office: UNITED STATES OF AMERICA, Application No: 87408272 in association with the same kind of goods and in association with the same kind of services

**Application Number** 1,860,719  
**Language of Application** English

**Filing Date** 2017-10-03

## APPLICANT AND AGENT DETAILS

### Applicant

Pluralsight, LLC  
182 N. Union Avenue  
Farmington, UT 84025  
UNITED STATES OF AMERICA

### Agent

PIASETZKI NENNIGER KVAS LLP  
SUITE 2308, 120 ADELAIDE STREET WEST,  
TORONTO, ONTARIO, M5H1T1

## TRADEMARK DETAILS

### Trademark Type

Design

### Visual Representation



### Goods

#### Class 09

Computer application software for accessing online courses of instruction, training and for downloading and using educational videos on mobile phones, tablet computers and other handheld computers in the fields of software development, website design, computer-aided design engineering, structural architecture and construction, 3D graphics design, 3D graphics printing, video game development, video effects for movies, television, and video games, business operations software, business project management, entrepreneurial skills, business leadership and management skills, marketing and advertising artwork and promotional content creating, computer animation and computer illustration, database servers, review, analysis and management of business data in computational forms, structured query language (SQL) systems, computer programming languages, software for analyzing business data, business data analytical methods, and information technology operations and management, namely the operation and management of information technology infrastructure; Downloadable video recordings featuring instruction and training in the fields of software development, website design, computer-aided design engineering, structural architecture and construction, 3D graphics design, 3D graphics printing, video game development, video effects for movies, television, and video games, business operations software, business project management, entrepreneurial skills, business leadership and management skills, marketing and advertising artwork and promotional content creating, computer animation and computer illustration, database servers, review, analysis and management of business data in computational forms, structured query language (SQL) systems, computer programming languages, software for analyzing business data, business data analytical methods, and information technology operations and management, namely the operation and management of information technology infrastructure

### Services

**Class 41**

(1) Educational services, namely, providing online and web-enabled courses of instruction and training at the professional and avocational levels in the fields of software development, website design, computer-aided design engineering, structural architecture and construction, 3D graphics design, 3D printing, video game development, video effects for movies, television, and video games, business operations software, business project management, entrepreneurial skills, business leadership and management skills, marketing and advertising artwork and promotional content creating, computer animation and computer illustration, database servers, review, analysis and management of business data in computational forms, structured query language (SQL) systems, computer programming languages, software for analyzing business data, business data analytical methods, and information technology for analyzing business data, business data analytical methods, and information technology operations and management, namely the operation and management of information technology infrastructure

(2) Education services, namely, providing educational assessments and vocational skills assessments in the nature of providing educational assessments in the field of vocational skills as it pertains to software development, website design, computer-aided design engineering, structural architecture and construction, 3D graphics design, 3D printing, video game development, video effects for movies, television, and video games, business operations software, business project management, entrepreneurial skills, business leadership and management skills, marketing and advertising artwork and promotional content creating, computer animation and computer illustration, database servers, review, analysis and management of business data in computational forms, structured query language (SQL) systems, computer programming languages, software for analyzing business data, business data analytical methods, and information technology operations and management, namely the operation and management of information technology infrastructure

**Application Number** 1,860,721  
**Language of Application** English

**Filing Date** 2017-10-03

## APPLICANT AND AGENT DETAILS

### Applicant

Pluralsight, LLC  
182 N. Union Avenue  
Farmington, UT 84025  
UNITED STATES OF AMERICA

### Agent

PIASETZKI NENNIGER KVAS LLP  
SUITE 2308, 120 ADELAIDE STREET WEST,  
TORONTO, ONTARIO, M5H1T1

## TRADEMARK DETAILS

### Trademark Type

Design

### Visual Representation



### Goods

#### Class 09

Computer application software for accessing online courses of instruction, training and for downloading and using educational videos on mobile phones, tablet computers and other handheld computers in the fields of software development, website design, computer-aided design engineering, structural architecture and construction, 3D graphics design, 3D graphics printing, video game development, video effects for movies, television, and video games, business operations software, business project management, entrepreneurial skills, business leadership and management skills, marketing and advertising artwork and promotional content creating, computer animation and computer illustration, database servers, review, analysis and management of business data in computational forms, structured query language (SQL) systems, computer programming languages, software for analyzing business data, business data analytical methods, and information technology operations and management, namely the operation and management of information technology infrastructure; Downloadable video recordings featuring instruction and training in the fields of software development, website design, computer-aided design engineering, structural architecture and construction, 3D graphics design, 3D graphics printing, video game development, video effects for movies, television, and video games, business operations software,

business project management, entrepreneurial skills, business leadership and management skills, marketing and advertising artwork and promotional content creating, computer animation and computer illustration, database servers, review, analysis and management of business data in computational forms, structured query language (SQL) systems, computer programming languages, software for analyzing business data, business data analytical methods, and information technology operations and management, namely the operation and management of information technology infrastructure

## **Services**

### **Class 41**

(1) Educational services, namely, providing online and web-enabled courses of instruction and training at the professional and avocational levels in the fields of software development, website design, computer-aided design engineering, structural architecture and construction, 3D graphics design, 3D printing, video game development, video effects for movies, television, and video games, business operations software, business project management, entrepreneurial skills, business leadership and management skills, marketing and advertising artwork and promotional content creating, computer animation and computer illustration, database servers, review, analysis and management of business data in computational forms, structured query language (SQL) systems, computer programming languages, software for analyzing business data, business data analytical methods, and information technology for analyzing business data, business data analytical methods, and information technology operations and management, namely the operation and management of information technology infrastructure

(2) Education services, namely, providing educational assessments and vocational skills assessments in the nature of providing educational assessments in the field of vocational skills as it pertains to software development, website design, computer-aided design engineering, structural architecture and construction, 3D graphics design, 3D printing, video game development, video effects for movies, television, and video games, business operations software, business project management, entrepreneurial skills, business leadership and management skills, marketing and advertising artwork and promotional content creating, computer animation and computer illustration, database servers, review, analysis and management of business data in computational forms, structured query language (SQL) systems, computer programming languages, software for analyzing business data, business data analytical methods, and information technology operations and management, namely the operation and management of information technology infrastructure

**Application Number** 1,861,131  
**Language of Application** English

**Filing Date** 2017-10-04

## APPLICANT AND AGENT DETAILS

### Applicant

RESPIRA THERAPEUTICS, INC.  
5901 Indian School Road NE, #107  
Albuquerque, NM 87110  
UNITED STATES OF AMERICA

### Agent

MCCARTHY TETRAULT LLP  
745 Thurlow Street, Suite 2400, VANCOUVER,  
BRITISH COLUMBIA, V6E0C5

## TRADEMARK DETAILS

# AOS

### Trademark Type

Word

### Goods

#### Class 05

(1) portable dry powder inhaler provided filled used for the administration to patients via oral inhalation of therapeutic or diagnostic agents in the form of dry powder aerosols for the treatment or prophylaxis of local lung and systemic diseases of the cardiopulmonary, cardiovascular, endocrine, neuromuscular, orthopedic, and central and peripheral nervous systems, namely, diabetes, hypo-thyroidism, hyper-thyroidism, asthma, chronic obstructive pulmonary disease, emphysema, interstitial lung disease, interstitial pulmonary fibrosis, pulmonary hypertension, cystic fibrosis, fungal infection, viral and bacterial respiratory infections, vaccination for viral and bacterial infections, anaphylactic shock, dyspnea, congestive heart failure, atrial fibrillation, coronary artery disease, hyperlipidemia, anticoagulation, hypertension, Parkinson's disease, Alzheimer's disease, tremor, peripheral pain, central pain, osteoporosis, depression, and sleep disorder

#### Class 10

(2) portable dry powder inhaler provided empty for medicinal or therapeutic purposes, used for the administration to patients via oral inhalation of therapeutic or diagnostic agents

### Claims

Priority Filing Date: June 12, 2017, Country or Office: UNITED STATES OF AMERICA, Application No: 87484980 in association with the same kind of goods

**Application Number** 1,861,555  
**Language of Application** English

**Filing Date** 2017-10-06

## APPLICANT AND AGENT DETAILS

### Applicant

Avalanche Canada  
PO Box 560  
Revelstoke  
BRITISH COLUMBIA  
V0E2S0

### Agent

NORTON ROSE FULBRIGHT CANADA LLP/S.  
E.N.C.R.L., S.R.L.  
1800 - 510 West Georgia Street, Vancouver,  
BRITISH COLUMBIA, V6B0M3

## TRADEMARK DETAILS

### Trademark Type

Design

### Visual Representation



### Goods

#### Class 09

(1) Face shields for athletic use

#### Class 25

(2) T-shirts, long sleeve shirts, baseball hats and caps, toques, sweaters, jackets

### Services

#### Class 35

(1) Promoting avalanche research by collaborating with research groups and government agencies to prevent avalanche accidents; Coordinating public avalanche safety programming; Advertising services to promote public avalanche awareness and education; Serving as point of contact for public, private and government avalanche information related to avalanche accident prevention;

#### Class 41

(2) Developing curriculum, manuals, and tools to promote public avalanche awareness and education; Providing avalanche training for non-professional winter recreation;

#### Class 42

(3) Providing public avalanche forecasts and safety warnings; Providing information in the field of avalanche awareness and research

**Application Number** 1,861,558  
**Language of Application** English

**Filing Date** 2017-10-06

## APPLICANT AND AGENT DETAILS

### Applicant

Avalanche Canada  
PO Box 560  
Revelstoke  
BRITISH COLUMBIA  
V0E2S0

### Agent

NORTON ROSE FULBRIGHT CANADA LLP/S.  
E.N.C.R.L.,S.R.L.  
1800 - 510 West Georgia Street, Vancouver,  
BRITISH COLUMBIA, V6B0M3

## TRADEMARK DETAILS

# AST PROVIDER

### Trademark Type

Word

### Goods

#### Class 09

(1) Face shields for athletic use

#### Class 25

(2) T-shirts, long sleeve shirts, baseball hats and caps, toques, sweaters, jackets

### Services

#### Class 35

(1) Promoting avalanche research by collaborating with research groups and government agencies to prevent avalanche accidents; Coordinating public avalanche safety programming; Advertising services to promote public avalanche awareness and education; Serving as point of contact for public, private and government avalanche information related to avalanche accident prevention;

#### Class 41

(2) Developing curriculum, manuals, and tools to promote public avalanche awareness and education; Providing avalanche training for non-professional winter recreation;

#### Class 42

(3) Providing public avalanche forecasts and safety warnings; Providing information in the field of avalanche awareness and research



**Application Number** 1,861,560  
**Language of Application** English

**Filing Date** 2017-10-06

## APPLICANT AND AGENT DETAILS

### Applicant

Avalanche Canada  
PO Box 560  
Revelstoke  
BRITISH COLUMBIA  
V0E2S0

### Agent

NORTON ROSE FULBRIGHT CANADA LLP/S.  
E.N.C.R.L.,S.R.L.  
1800 - 510 West Georgia Street, Vancouver,  
BRITISH COLUMBIA, V6B0M3

## TRADEMARK DETAILS

# AST

### Trademark Type

Word

### Goods

#### Class 09

(1) Face shields for athletic use

#### Class 25

(2) T-shirts, long sleeve shirts, baseball hats and caps, toques, sweaters, jackets

### Services

#### Class 35

(1) Promoting avalanche research by collaborating with research groups and government agencies to prevent avalanche accidents; Coordinating public avalanche safety programming; Advertising services to promote public avalanche awareness and education; Serving as point of contact for public, private and government avalanche information related to avalanche accident prevention;

#### Class 41

(2) Developing curriculum, manuals, and tools to promote public avalanche awareness and education; Providing avalanche training for non-professional winter recreation;

#### Class 42

(3) Providing public avalanche forecasts and safety warnings; Providing information in the field of avalanche awareness and research

**Application Number** 1,862,605  
**Language of Application** English

**Filing Date** 2017-10-13

## APPLICANT AND AGENT DETAILS

### Applicant

Licensing IP International S.à r.l.  
32, Boulevard Royal  
Luxembourg L-2449  
LUXEMBOURG

### Agent

LJT LAWYERS, LLP / LJT AVOCATS, S.E.N.C.  
R.L.  
7100-380 rue Saint-Antoine O, Montréal,  
QUEBEC, H2Y3X7

## TRADEMARK DETAILS

# HUBCASH

### Trademark Type

Word

### Goods

#### Class 09

Computer software and downloadable software and software applications for electronic transfer, process and exchange of bitcoins, cryptocurrency and digital assets namely digital currency and virtual currency.

### Services

#### Class 36

(1) Online exchange, trade and transactions services of bitcoins, digital currency and digital assets namely cryptocurrency and virtual currency; Providing bitcoins, digital currency and digital assets namely cryptocurrency and virtual currency for use by members of an on-line community via a global computer network; Electronic funds transfer of bitcoins, digital currency and digital assets namely cryptocurrency and virtual currency; Online global computer, software and application network site that allows consumers to purchase bitcoins, digital currency and digital assets namely cryptocurrency and virtual currency; Consulting and technological services relating to online payment platforms, digital assets namely cryptocurrency and virtual currency, digital currencies and bitcoins; Providing online information in the field of bitcoins, digital currency and digital assets namely cryptocurrency and virtual currency; providing online forums and electronic bulletin boards for transmission of messages among computer users in the field of bitcoins, digital currency and digital assets namely cryptocurrency and virtual currency.

#### Class 38

(2) Providing access to a website featuring an online marketplace for exchanging bitcoins, digital currency and digital assets namely cryptocurrency and virtual currency; Providing access to a website featuring digital content in the field of bitcoins, digital currency and digital assets namely cryptocurrency and virtual currency exchange services.

#### Class 42

(3) Platform as a service (PAAS), namely managing, developing, analyzing, and maintaining online applications and software for use by others in the field of bitcoins, digital currency and digital assets namely cryptocurrency and virtual currency exchange services.

**Application Number** 1,862,854  
**Language of Application** English

**Filing Date** 2017-10-16

## **APPLICANT AND AGENT DETAILS**

### **Applicant**

COOPER TECHNOLOGIES COMPANY  
600 Travis Suite 5300  
Houston, TX 77002  
UNITED STATES OF AMERICA

### **Agent**

SMART & BIGGAR LLP  
SUITE 900, 55 METCALFE STREET, P.O.  
BOX 2999, STATION D, OTTAWA, ONTARIO,  
K1P5Y6

## **TRADEMARK DETAILS**

# **LIGHTING XPERT INSIGHT**

### **Trademark Type**

Word

### **Goods**

#### **Class 09**

Computer software for controlling and operating lighting fixtures and lighting fixture installations for buildings, roads and offices

**Application Number** 1,862,987  
**Language of Application** English

**Filing Date** 2017-10-16

## APPLICANT DETAILS

### Applicant

Sri Sathya Sai Baba Spiritual Council of  
Canada  
250 The East Mall  
Etobicoke  
ONTARIO  
M9B3Y8

## TRADEMARK DETAILS

# Prema Sai Baba

### Trademark Type

Word

### Foreign Character Translation

Provided by the applicant, the English translation of the trademark is "Divine Mother and Father of Love". The word PREMA means "Love", and "SAI BADA" means ""Devine Mother and Father".

### Goods

#### Class 16

printed matter, namely, prayer books

### Services

#### Class 36

(1) charitable fundraising

#### Class 41

(2) Educational Services in the field of meditation and spirituality.

#### Class 45

(3) conducting religious prayer services; religious and spiritual counseling services; spiritual consultancy services; organization of religious meetings; providing on-line information in the field of spirituality

**Application Number** 1,863,289  
**Language of Application** English

**Filing Date** 2017-10-18

## APPLICANT AND AGENT DETAILS

### Applicant

HONG KONG SUN RISE TRADING LIMITED  
Room 805, Wai Wah Commercial Centre  
No. 6 Wilmer Street  
Sheung Wan  
HONG KONG

### Agent

PERLEY-ROBERTSON, HILL & MCDUGALL  
LLP  
1400 - 340 ALBERT STREET, OTTAWA,  
ONTARIO, K1R0A5

## TRADEMARK DETAILS

# GREENWORKS

### Trademark Type

Word

### Goods

#### Class 07

(1) Power-operated brush cutters; Power-operated grass/weed trimmers, including electric lawn trimmers; Power-operated hedge trimmers and electric hedge shears; lawn mowers, including robotic lawnmowers, walkbehind lawn mowers and riding lawn mowers, both electric- and gas-powered lawn mowers

(2) Chain saws, including electric chain saws; power operated blowers, namely axial flow blowers

(3) Snow blowers; snow throwers

(4) Air compressors; lumbering band saws; Power-operated cultivators and tillers, including power-operated lawn and garden tillers; Power shredders for lawn debris; Power-operated dethatchers; Scarifiers for dethatching lawns; Electricity generators; Yard chippers; Machines for cleaning surfaces using high pressure water, namely pressure washers and high pressure washers; Hand-operated sprayers for insecticides; Electronic controller for governing the electrical output of a battery during mowing operation, sold as an integral component of lawn mowers; Engines and motors for the generation of electricity; power-operated sprayers for insecticides; Power-operated wood chippers; Trolling motors for boats; Vacuum cleaners, including robotic vacuum cleaners, electric vacuum cleaners and cordless vacuum cleaners; Vacuum cleaners for outdoor use wherein all of the aforementioned goods being battery-operated, electric, manually-operated, or otherwise ecologically-friendly; Vacuum cleaners for outdoor use; Power-operated tools, namely, lawn and garden edgers; Power-operated lawn edgers and electric lawn edgers; Power-operated tools namely power tools, ice augers, hand-held electric drills wrenches, impact drivers, hammer drilling machines, rotary hammer, saws, multifunction saws, angle grinders, jig saws, reciprocating saws, screwdrivers, circular saws, sanders

#### Class 09

(5) Electric batteries, rechargeable batteries and rechargeable lithium ion batteries for use with power tools and electric lawn and yard maintenance tools; battery chargers for use with rechargeable lithium batteries for use with power tools and electric lawn and yard maintenance tools

(6) Inverters for power supply; Electrical controllers for governing the electrical output of rechargeable batteries; Computer programs and software, namely application software and mobile apps for operating and controlling power tools, pressure washers, generators, batteries, battery chargers, watering devices, lawn sprinklers and outdoor power equipment namely lawn mowers, robotic lawn mowers, brush cutters, string trimmers, hedge trimmers, chain saws, leaf blowers, vacuum cleaners (outdoor use), cultivators and shredders; Puncture-resistant work clothing; insulated clothing for protection against accidents or injury; Safety goggles; Safety helmets; shoes for protection against accidents and fire; puncture-resistant boots; safety boots; boots for protection against accidents

**Class 11**

(7) Air purifiers, including electronic air cleaners; Flashlights; LED light bulbs for indoor and outdoor use

**Class 12**

(8) Tractors and lawn carts

(9) Scooters [vehicles]; Bicycles

**Class 17**

(10) Garden hoses

**Class 21**

(11) Nozzles for watering hose; watering cans, garden sprinklers, irrigation sprinklers; Lawn sprinklers, gardening gloves; work gloves

**Services**

**Class 35**

Online retail services, product management services namely advice and information about customer services and product management and prices on Internet sites in connection with purchases made over the Internet and business management consulting with relation to strategy, marketing, production, personnel and retail sale matters, transport fleet management services relating to power tools, pressure washers, generators, batteries, battery chargers and outdoor power equipment including lawn mowers, robotic lawn mowers, brush cutters, string trimmers, hedge trimmers, chain saws, leaf blowers, vacuum cleaners (outdoor use), watering devices and lawn sprinklers, cultivators and shredders

**Application Number** 1,863,501  
**Language of Application** French

**Filing Date** 2017-10-19

## APPLICANT AND AGENT DETAILS

### Applicant

IPONE, une entité légale  
La Meunière  
13480 CABRIES  
FRANCE

### Agent

ROBIC  
630, boul. René-Lévesque Ouest, 20e étage,  
Montréal, QUÉBEC, H3B1S6

## TRADEMARK DETAILS

# IPONE

### Trademark Type

Standard Characters

### Goods

#### Class 01

(1) Chemical additives for fuel; chemical additives for oils, namely chemical additives for engine oils; detergent additives for gasoline; coolants for vehicle engines; anti-knock substances for electric-ignition engines; antifreeze; compounds for repairing wheel tires and inner tubes; fluids for hydraulic circuits, chemical preparations for decarbonizing engines; fuel-saving chemical preparations, namely chemical additives for use with internal combustion engine fuels; mastic for tires; brake fluids; chemicals used in industry and science, namely for decarbonizing industrial machine engines, as well as in photography, agriculture, horticulture and forestry, unprocessed artificial resins, unprocessed plastics; fertilizers; fire extinguishing compounds; tempering and soldering preparations; chemical products for preserving food; tanning substances, namely tannin.

#### Class 03

(2) Soaps, namely laundry soap, bath soap, industrial soap, liquid soap; canned pressurized air for cleaning and dusting purposes; scrubbing preparations, namely preparations for polishing motor vehicles; polishing products, namely preparations for polishing motor vehicles; degreasing products (other than those used during the manufacturing process), namely degreasing preparations; stain removers, namely laundry stain removers; detergents (cleaning agents), other than those used during the manufacturing process or for medical use, namely detergents for motor vehicles; washing preparations, namely preparations for washing motor vehicles; cleaning products, namely multi-purpose cleaning preparations; bleaching preparations and other substances for laundry use, namely bleaching preparations for cosmetic purposes; cleaning, polishing, scouring and abrasive preparations, namely cleaning, polishing, scouring and abrasive preparations for motor vehicles; perfumes; essential oils, namely essential oils for personal use, aromatic essential oils, essential oils of citron, essential oils of cedarwood; cosmetics; hair lotions, toothpastes; leather preservatives (polishes), namely leather preserving polishes; creams for leather.

**Application Number** 1,863,546  
**Language of Application** English

**Filing Date** 2017-10-19

## APPLICANT AND AGENT DETAILS

### Applicant

Glu Mobile Inc.  
500 Howard Street, Suite 300  
San Francisco, CA 94105  
UNITED STATES OF AMERICA

### Agent

SMART & BIGGAR LLP  
1100-150 York street, TORONTO, ONTARIO,  
M5H3S5

## TRADEMARK DETAILS

# DESIGN HOME

### Trademark Type

Word

### Goods

#### Class 09

Downloadable game software for use on mobile phones, tablets and personal computers, namely, downloadable electronic games, computer games downloadable from a global computer network, computer games for use on mobile and cellular phones; computer game programs, namely, computer video games, video games, computer games, downloadable electronic games, downloadable video games, downloadable computer games.

### Services

#### Class 41

Providing computer and electronic games and downloadable applications for mobile phones to download video games online, on social networks, or by means of a global computer network; providing electronic games and entertainment applications in the nature of online interactive electronic games and applications for creating, accessing and sharing short stories, drawings, 3-dimensional images, and photographs online, on social networks, or by means of a global computer network for use on mobile phones, tablets and other electronic mobile devices via the internet, electronic communication networks or via a global computer network; publishing of electronic game software.

### Claims

Priority Filing Date: October 05, 2017, Country or Office: EUIPO (EU), Application No: 017289265 in association with the same kind of goods and in association with the same kind of services



**Application Number** 1,864,204  
**Language of Application** English

**Filing Date** 2017-10-24

## APPLICANT AND AGENT DETAILS

### Applicant

Humania BPO Inc.  
3700-800 Place Victoria  
Montreal  
QUEBEC  
H4Z1E9

### Agent

FASKEN MARTINEAU DUMOULIN LLP  
800 rue Square-Victoria, BUREAU 3700, C.P.  
242, MONTREAL, QUEBEC, H4Z1E9

## TRADEMARK DETAILS

### Trademark Type

Design

### Visual Representation



### Goods

#### Class 16

Printed publications, namely business and corporate reports, in the field of real-time data analytics, real-time dashboards, real-time operational key performance indicators (KPI), actionable insights web statistics, business intelligence, market strategies, market analysis and industry trends in the field of call centers, business process outsourcing, market research and customer experience management

### Services

#### Class 35

(1) Business management services, namely, providing outsourced management services to others in the field of call centers, business process outsourcing, market research and customer experience management; business services namely, providing business and corporate reports, namely, real-time data analytics, real-time dashboards, real-time operational key performance indicators (KPI), actionable insights, web statistics, business intelligence, market strategies, market analysis and industry trends in the field of call centers, business process outsourcing, market research and customer experience management; provide business and corporate consulting services, namely the management of third party call centers, business process reengineering, business strategy consulting, customer experience management consulting; strategic marketing consulting in the field of call centers, business process outsourcing, market research and customer experience management; management and operation of telephone call

centers for others; business process outsourcing services, namely, call center outbound sales, call center inbound sales, call center inbound upsales, call center inbound cross-sales, customer service in the field of call center services, customer care services in the field of call center services, help desk services in the field of call center services, technical support in the field of call center services, collection services, surveys, software and hardware testing; telephone answering services; business process outsourcing services, namely accounting; outsourcing of data center management; business process outsourcing, namely outsourcing of business management, administration and internal business functions namely human resources, administrative staffing, and back office functions; call center management services; payroll services; payroll processing services; invoice management; outsourcing services in the field of payroll services and invoice management

### **Class 42**

(2) Providing temporary use of an Internet based software for use in the field of market research and customer experience management (CEM), namely, software for survey management, data collection, real-time reporting, ad-hoc reporting, real time operational key performance indicators, KPIs monitoring and real time dashboards; providing temporary use of an Internet based software for use in the field of market research and customer experience management (CEM), namely, software for ticketing creation and management; providing temporary use of an Internet based software for use in the field of market research and customer experience management (CEM), namely, software for real-time customer satisfaction alerting; providing temporary use of an Internet based software for use in the field of call center operations and business processes outsourcing, namely, software for database management, for routing telephone calls and other types of information data between customers and call centers, and for tracking and reporting of telephone calls across various customer service agents and call centers; providing temporary use of an Internet based software for use in managing business processes and telephone call centers, namely, software used to track service levels, generate reports and respond to service compliance issues; providing temporary use of an Internet based software to enable communication between multiple call center managers at different locations, and between call center managers and call center agents; providing temporary use of an Internet based software to remotely monitor call centers; providing temporary use of an Internet based software for use in managing and monitoring telephone calls; providing temporary use of an Internet based software for sharing operational data between businesses and their call centers remotely and in real time; providing temporary use of an Internet based database management software and communications software to enable better efficiency, communication and visibility between businesses and their call center resources

**Application Number** 1,864,297  
**Language of Application** French

**Filing Date** 2017-10-24

## APPLICANT AND AGENT DETAILS

### Applicant

PUBLICIS GROUPE SA  
133 avenue des Champs-Élysées  
75008 Paris  
FRANCE

### Agent

LAVERY, DE BILLY, LLP  
1 Place Ville Marie, Suite 4000, Montréal,  
QUÉBEC, H3B4M4

## TRADEMARK DETAILS

# BREAK BOND BUILD

### Trademark Type

Standard Characters

### Services

#### Class 35

(1) Marketing management of social media communities, namely consulting related to social media marketing strategies.

(2) Business organization and management advice, design, consulting, development and implementation of business, advertising, communications and marketing strategies; market studies; business data research, compilation, processing and analysis, namely analysis of business data and statistics related to market studies; updating and maintenance of data in computer databases; advertising and marketing services, namely advertising services for the goods and services of others, development of marketing strategies and concepts for others, strategic assessment of marketing data; consulting related to branding, marketing, advertising and content development in the field of brand communication strategy services; brand strategy services in the nature of analysis and consulting services related to corporate branding; consulting related to sales promotion, namely consulting services related to business organization, development of promotional campaigns related to the business of others; advertising network services in the nature of design and management services for commercial and advertising material and media, rental and purchasing services for advertising time and space by any means and on any communication media; creation, writing, editing, publishing and dissemination of advertising copy, visual media, content and materials, namely tracts, flyers, printed matter and samples; production, post-production, editing, publishing, distribution, rental and presentation of audio, video and cinematographic works for advertising purposes; scriptwriting for advertising purposes; modelling services for advertising purposes; website traffic optimization consulting; organization, development and conduct of commercial and advertising events for others in the fields of public relations, trade dispute management, public communications, new media, new media technology and brand development; consulting related to the organization, development and conduct of commercial and advertising events for others in the fields of public relations, trade dispute management, public communications provided via television, radio, printed matter and digital media, technology and business strategies related to big data and social media, and brand development; public relations; consulting related to the search for advertising sponsors for others, namely relating to benefit nights, fundraising, timekeeping for sporting events, appearances by

sports and cultural celebrities, sporting events; consulting related to social media marketing strategy, namely the provision of marketing advice in the field of social media; procurement services for others, namely the purchase of goods and services for other businesses; economic forecasting; online advertising for others on a computer network.

### **Class 38**

(3) Telecommunications, namely electronic display services, namely provision of an electronic bulletin board and rental of access time to a computerized database in the field of advertising; provision of user access to global computer networks; provision of online forums, namely provision of Internet discussion forums; provision of Internet discussion forums, namely provision of online chat rooms for social networks.

(4) Telecommunications in the nature of telecommunication connections to a global computer network, telecommunications services in the form of the provision of email notifications by means of the Internet; dissemination of information and advice related to telecommunications through electronic and computer data banks relating to digital technology; rental of access time to global computer networks; transmission of streamed data, namely streaming, namely Internet streaming of audio and video, including music, films, news and sports; transmission of video footage on demand; computer-assisted transmission of messages and images, namely electronic mail services; transmission of digital files, namely digital text messaging, wireless digital messaging services; provision of access to electronic databases in the fields of music and television programs; news agency services; transmission, dissemination and reception of content featuring audio, videos, still and animated images, text messages and data, namely video-on-demand transmission services, provision of access to digital music websites on the Internet, transmission of documents and digital images through electronic mail; dissemination of audiovisual and multimedia content via the Internet, namely provision of online chat rooms for the transmission of messages, comments and multimedia content among users; radio broadcasting; television broadcasting.

### **Class 41**

(5) Creation, writing, editing and publishing of texts, visual media, content and materials other than for advertising purposes, namely creation, writing, editing and publishing of books, brochures, online publications, documentaries, magazines and television programs; publishing of editorial website content, namely publishing services for articles in the fields of music, films, news and sports, accessible via a global computer network, namely the Internet; online publishing of books and periodicals; desktop publishing; production, post-production, editing, publishing, distribution, rental and presentation of audio works, namely music and audio content, namely downloadable podcast files featuring radio programs and audio books, video works, namely recordings of television shows and videos featuring music and movies, other than for advertising purposes; organization and conduct of cultural and sporting events, namely entertainment consisting of appearances by sports or cultural celebrities; organization and conduct of colloquia, conferences and conventions in the field of education, namely educational services in the fields of advertising and marketing, culture, namely film and television program production, production of plays, music concerts and musical variety shows, sports, advertising, public relations, new media, new media technology, marketing strategies related to new media and brand development; organization and conduct of training workshops in the fields of public relations and brand development; provision of texts, visual media and electronic media, namely documentaries, music videos, magazines and online journals (non-downloadable); translation services; scriptwriting, other than for advertising purposes; songwriting services; music composition services; rental of audio apparatus; rental of cinematographic apparatus; entertainment, namely ticket agency services; recording studio services; microfilming; post-synchronization; subtitling; photography services.

**Class 42**

(6) Computer technology consulting, namely consulting services related to computer technology and programming through websites; computer consulting; engineering services in the nature of analysis and processing services for technical data; provision of information related to computer technology and programming through websites; electronic computer data storage services, namely the provision of cloud computing for data storage; creation of content, texts, sounds, music and videos for web pages and websites; research and development of new products for others; design, consulting and development of applications, computer software and websites; technical project studies, namely in relation to feasibility studies; graphic art design; design, management and monitoring of online discussion forums; development of computer data processing programs; consulting related to computer design and development; design of computer systems and websites for use in e-commerce; consultant services related to the use, integration and operation of computer programs and updating services for computer programs.

**Claims**

Priority Filing Date: April 24, 2017, Country or Office: FRANCE, Application No: 17/4356649 in association with the same kind of services

**Application Number** 1,864,319  
**Language of Application** French

**Filing Date** 2017-10-19

## APPLICANT AND AGENT DETAILS

### Applicant

Mono Café Inc.  
302-3419 av. Henri-Julien  
Montréal  
QUÉBEC  
H2X3H3

### Agent

ME DANIEL ROUSSIN  
400 - 485 rue McGill, Montréal, QUÉBEC,  
H2Y2H4

## TRADEMARK DETAILS

# MONO CAFÉ

### Trademark Type

Word

### Services

#### Class 35

Sale of a selection of high-quality whole or ground bean coffees, sold for immediate consumption and in bulk, as well as Viennese pastries, namely croissants, buns, chocolate pastries, apricot pastries, muffins, pastries, desserts, for immediate consumption and for take-out.

**Application Number** 1,864,453  
**Language of Application** English

**Filing Date** 2017-10-25

## APPLICANT AND AGENT DETAILS

### Applicant

Kraft Group Overwatch LLC  
One Patriot Place  
Foxborough, MA 02035  
UNITED STATES OF AMERICA

### Agent

MCMILLAN LLP  
BROOKFIELD PLACE, SUITE 4400, BAY  
WELLINGTON TOWER, 181 BAY STREET,  
TORONTO, ONTARIO, M5J2T3

## TRADEMARK DETAILS

# BOSTON UPRISING

### Trademark Type

Standard Characters

### Goods

#### Class 09

(1) Downloadable application for mobile phones, namely, downloadable video games; computer software to create, modify, and distribute user created digital photos, articles, reviews, videos, virtual goods, and games in the field of esports; audio speakers; ear buds; headphones; headsets for use with computers; computer mice; mouse pads; computer stylus; decorative magnets; magnetically encoded credit cards and debit cards; eyewear, namely, sunglasses, eyeglasses and frames and cases therefor; eyeglass lanyards; sports eyewear; protective covers, cases, and sleeves for cell phones, laptops, tablet computers, and portable digital video and music players; mobile phone straps; electronic downloadable publications in the field of video games; apparatus for recording, transmission, processing and reproduction of sound, data and images, namely, combination video players and recorders, wristwatches featuring a cell phone and displaying screen for reviewing, sending and recording text messages and emails, digital voice recorders

#### Class 16

(2) Posters; event programs; comic books; collectible trading cards; magazines in the field of video games; books; postcards; paper stationery; bookmarks; calendars; wrapping paper; paper gift boxes sold empty; stickers; paper napkins; paper towels; notepads; greeting cards; printed strategy guides for playing entertainment computer programs; coloring books; temporary tattoo transfers; notebooks; stationery-type portfolios; folders; pens; pencils; pencil cases; instructional leaflets in the field of video games; printed advertising boards of paper and cardboard

#### Class 18

(3) Backpacks; backpacks with rolling wheels; all-purpose carrying bags; travel bags; wheeled bags; courier bags; duffle bags; handbags; luggage tags; luggage label holders; messenger bags; purses; school bags; canvas shopping bags; tote bags; traveling sets in the nature of separate pieces of matching luggage; umbrellas; walking sticks; wallets

#### Class 25

(4) Clothing and footwear, namely, shirts, pants, shorts, sweaters, sweatshirts, sweatpants, t-shirts, tank tops, hoodies, sports jerseys, golf pants, golf shirts, jeans, baseball caps and hats, woolly hats, beanies, cap visors, headbands, bandanas, ear muffs, knit ski masks, raincoats,

parkas, ponchos, sports jackets, outer jackets, jackets, leather jackets, coats, robes, loungewear, pajamas, sleep pants, night shirts, underwear, belts for clothing, suspenders, wristbands as clothing, sweatbands, neckties, cloth bibs, gloves, scarves, mittens, aprons, bathing suits, shoes, slippers, socks, sneakers, and sandals; masquerade costumes; costumes for use in children's dress up play; Halloween costumes; athletic apparel, namely, shirts, pants, jackets, footwear, hats and caps

### **Class 28**

(5) Toys, namely, toy action figures and action figure accessories, plush toys, stuffed toy animals, bean bag animals, play figures, toy banks, board games, toy cars, toy trucks, billiard balls, dart boards, and playing cards; Christmas tree ornaments and decorations; play balls; construction toy figures and construction toys; toy noisemakers; toy foam novelty items, namely, foam fingers and hands; bobble head dolls; bean bag toys; golf balls; golf tees; golf bags; golf clubs; golf gloves; covers for golf clubs; controllers for game consoles; fitted plastic films known as skins for covering and protecting electronic game playing apparatus, namely, game consoles

### **Services**

#### **Class 41**

(1) Entertainment services in the nature of organizing and conducting exhibitions, competitions and events rendered live and through broadcast and digital media in the field of video games; entertainment services, namely, organizing exhibits composed of interactive displays, participatory activities, live performances, and contests involving video games; providing information via the Internet in the field of video games and video game tournaments, exhibitions, competitions and events featuring news, videos, live scores, statistics, notifications, and commentary; providing on-line digital publications in the nature of articles in the field of video games and video game tournaments, exhibitions, competitions and events; providing nondownloadable video games via the Internet; organizing live fan meetings and conferences in the field of video games and video game tournaments, exhibitions, competitions and events; entertainment services in the nature of live video game performances; fan clubs; educational services, namely, organization of programs and seminars in the field of video games and video game tournaments, exhibitions, competitions and events; entertainment services in the nature of multimedia entertainment production featuring video games and video game tournaments, video game exhibitions, competitions and events; production of digital audio and video webcast and television programs via the Internet, cable networks, wireless networks, satellite, and interactive media networks, featuring news, information, games, tournaments, exhibitions, competitions and events in the field of video games

#### **Class 42**

(2) Providing non-downloadable software to create, modify, and distribute user created digital photos, articles, reviews, videos, virtual goods and games on the subject of sports and video games



**Application Number** 1,864,454  
**Language of Application** English

**Filing Date** 2017-10-25

## APPLICANT AND AGENT DETAILS

### Applicant

Kraft Group Overwatch LLC  
One Patriot Place  
Foxborough, MA 02035  
UNITED STATES OF AMERICA

### Agent

MCMILLAN LLP  
BROOKFIELD PLACE, SUITE 4400, BAY  
WELLINGTON TOWER, 181 BAY STREET,  
TORONTO, ONTARIO, M5J2T3

## TRADEMARK DETAILS

### Trademark Type

Design

### Visual Representation



### Colour Claim

Colour is claimed as a feature of the trademark. The mark consists of the wording 'BOSTON UPRISING' with the word 'BOSTON' in yellow colour over the word 'UPRISING' in blue colour.

### Goods

#### Class 09

(1) Downloadable application for mobile phones, namely, downloadable video games; computer software to create, modify, and distribute user created digital photos, articles, reviews, videos, virtual goods, and games in the field of esports; audio speakers; ear buds; headphones; headsets for use with computers; computer mice; mouse pads; computer stylus; decorative magnets; magnetically encoded credit cards and debit cards; eyewear, namely, sunglasses, eyeglasses and frames and cases therefor; eyeglass lanyards; sports eyewear; protective covers, cases, and sleeves for cell phones, laptops, tablet computers, and portable digital video and music players; mobile phone straps; electronic downloadable publications in the field of video games; apparatus for recording, transmission, processing and reproduction of sound, data and images, namely, combination video players and recorders, wristwatches featuring a cell phone and displaying screen for reviewing, sending and recording text messages and emails, digital voice recorders

#### Class 16

(2) Posters; event programs; comic books; collectible trading cards; magazines in the field of video games; books; postcards; paper stationery; bookmarks; calendars; wrapping paper; paper gift boxes sold empty; stickers; paper napkins; paper towels; notepads; greeting cards; printed

strategy guides for playing entertainment computer programs; coloring books; temporary tattoo transfers; notebooks; stationery-type portfolios; folders; pens; pencils; pencil cases; instructional leaflets in the field of video games; printed advertising boards of paper and cardboard

### **Class 18**

(3) Backpacks; backpacks with rolling wheels; all-purpose carrying bags; travel bags; wheeled bags; courier bags; duffle bags; handbags; luggage tags; luggage label holders; messenger bags; purses; school bags; canvas shopping bags; tote bags; traveling sets in the nature of separate pieces of matching luggage; umbrellas; walking sticks; wallets

### **Class 25**

(4) Clothing and footwear, namely, shirts, pants, shorts, sweaters, sweatshirts, sweatpants, t-shirts, tank tops, hoodies, sports jerseys, golf pants, golf shirts, jeans, baseball caps and hats, woolly hats, beanies, cap visors, headbands, bandanas, ear muffs, knit ski masks, raincoats, parkas, ponchos, sports jackets, outer jackets, jackets, leather jackets, coats, robes, loungewear, pajamas, sleep pants, night shirts, underwear, belts for clothing, suspenders, wristbands as clothing, sweatbands, neckties, cloth bibs, gloves, scarves, mittens, aprons, bathing suits, shoes, slippers, socks, sneakers, and sandals; masquerade costumes; costumes for use in children's dress up play; Halloween costumes; athletic apparel, namely, shirts, pants, jackets, footwear, hats and caps

### **Class 28**

(5) Toys, namely, toy action figures and action figure accessories, plush toys, stuffed toy animals, bean bag animals, play figures, toy banks, board games, toy cars, toy trucks, billiard balls, dart boards, and playing cards; Christmas tree ornaments and decorations; play balls; construction toy figures and construction toys; toy noisemakers; toy foam novelty items, namely, foam fingers and hands; bobble head dolls; bean bag toys; golf balls; golf tees; golf bags; golf clubs; golf gloves; covers for golf clubs; controllers for game consoles; fitted plastic films known as skins for covering and protecting electronic game playing apparatus, namely, game consoles

## **Services**

### **Class 41**

(1) Entertainment services in the nature of organizing and conducting exhibitions, competitions and events rendered live and through broadcast and digital media in the field of video games; entertainment services, namely, organizing exhibits composed of interactive displays, participatory activities, live performances, and contests involving video games; providing information via the Internet in the field of video games and video game tournaments, exhibitions, competitions and events featuring news, videos, live scores, statistics, notifications, and commentary; providing on-line digital publications in the nature of articles in the field of video games and video game tournaments, exhibitions, competitions and events; providing nondownloadable video games via the Internet; organizing live fan meetings and conferences in the field of video games and video game tournaments, exhibitions, competitions and events; entertainment services in the nature of live video game performances; fan clubs; educational services, namely, organization of programs and seminars in the field of video games and video game tournaments, exhibitions, competitions and events; entertainment services in the nature of multimedia entertainment production featuring video games and video game tournaments, video game exhibitions, competitions and events; production of digital audio and video webcast and television programs via the Internet, cable networks, wireless networks, satellite, and interactive media networks, featuring news, information, games, tournaments, exhibitions, competitions and events in the field of video games

### **Class 42**

(2) Providing non-downloadable software to create, modify, and distribute user created digital photos, articles, reviews, videos, virtual goods and games on the subject of sports and video games

**Application Number** 1,864,909  
**Language of Application** English

**Filing Date** 2017-10-27

## APPLICANT AND AGENT DETAILS

### Applicant

Fédération Internationale de Football  
Association (FIFA)  
FIFA - Strasse 20  
8044 Zurich  
SWITZERLAND

### Agent

SMART & BIGGAR LLP  
SUITE 900, 55 METCALFE STREET, P.O.  
BOX 2999, STATION D, OTTAWA, ONTARIO,  
K1P5Y6

## TRADEMARK DETAILS

### Trademark Type

Design

### Visual Representation



### Goods

#### Class 07

(1) printers, namely 3D printers

#### Class 09

(2) Eyeglasses, sunglasses, diving and swimming goggles, cases and cords for sunglasses and glasses; binoculars; fridge and craft magnets and decorative magnets; directional compasses; apparatus for recording, transmitting, editing, mixing and reproducing of sound and images, namely, microphones, tape recorders, DVD recorders, audio mixers, sound mixers, audio/video cable connectors and cable connectors for video recorders, cameras; radios; televisions; flat screen television sets; liquid crystal displays; high definition and plasma screens; Home Cinema systems, namely, audio speakers, audio receivers, video receivers, television receivers, audio decoders, video decoders, video cassette recorders, video tape recorders, CD players, CD recorders, DVD players, DVD recorders, audio cassette players, video cassette player, cathode ray tube (CRT) display screens, LCD large-screen displays, flat panel display screens, plasma display panels, video projectors, antennas, power converters, and power inverters; video recorders; CD players, portable CD players; DVD players; MP3 players; cassette players, portable cassette players; mini-disc players; portable radios; loudspeakers; headphones; earphones; microphones; remote controls for televisions and for video games, voice-activated remote control for televisions and for video games; navigation apparatus, namely, a global positioning system

(GPS) for automotive vehicles consisting of computers, portable computers, handheld computers, computer software, transmitters, receivers, and satellites; personal digital assistants (PDA); computers; tablet computers; signal processors, video processors; computer keyboards; computer monitors; modems; computer carrying cases; computer mice; pads for computer mice; electronic pocket translators; dictating machines; electronic notebooks and agendas; scanners, namely, 3D scanners, bar code scanners, computer scanners, fingerprint scanners, image scanners, laser scanners, optical scanners; printers, namely, bar code printers, color laser printers, colour printers, computer printers, desktop printers, digital colour printers; photocopy machines; facsimile transmission machines; telephones, telephone answering machines; smartphones; video telephones; cellular telephones; cell phone covers, brackets and cradles for handsfree use of mobile phones, earphones and headsets for mobile phones, keyboards for mobile phones, mobile phone straps, special bags for carrying mobile phones, mobile phones with integrated cameras and video cameras; smartwatches; calculators; credit card reading machines; cash exchanging machines; automated teller machines; video cameras, camcorders; photographic equipment, namely, photo cameras, digital cameras, film cameras, projectors for photographic slides, exposed films and unexposed films, film slide, flash bulbs; camera and camera accessory cases and straps; batteries, namely, camera batteries, rechargeable general purpose batteries, solar batteries, batteries for mobile phones, batteries for pocket lamps; karaoke machines and computer programs for playing karaoke songs; video game cassettes; video game discs; Voice-activated or hand-operated game control pads and game controllers; pre-recorded and downloadable computer games; computer software for database management; computer database containing sports information; screen saver programs for computers; magnetic, numerical or analogical carriers for recording sound or images, namely, blank video discs, video tapes, magnetic tapes, magnetic discs, DVDs, floppy discs, optical discs, compact discs, minidisks, CD-ROMs; video discs, video tapes, magnetic tapes, magnetic discs, DVDs, floppy discs, optical discs, compact discs, minidisks, CD ROMs, all the aforementioned being blank and pre-recorded with music, sound and images, namely, animation in the field of sports, sports events, sports records, athletes, sports personalities and celebrities; holograms; computer memory card adapters; memory cards, namely, flash memory cards; blank digital storage media and blank electronic storage media, namely, DVDs, CDs, magnetic discs, optical discs, microchip cards; microchip and magnetic credit cards, microchip and magnetic phone cards, microchip and magnetic cards for automated teller and money exchange machines; microchip and magnetic prepaid cards for mobile phones; microchip and magnetic travel and entertainment cards, microchip and magnetic cheque guarantee and debit cards; non-magnetic credit cards of plastic; security alarms; windsocks; solar cells and panels for electricity generation; gauges, namely, pressure gauges, temperature gauges; distance measuring apparatus, namely, distance meters, electronic distance meters; speed measuring and indication equipment, namely, laser speed detectors, speed indicators and speedometers; tire pressure sensor, tire pressure gauge; publications in electronic form, namely, books, magazines, brochures, pamphlets, flyers, press releases, newspapers and newsletters in the fields of sports, sports events, sports records, athletes, sports personalities and celebrities supplied by CD-ROM, by databases and on the Internet; downloadable electronic maps; audio receivers; audio amplifiers; television tubes; cathode ray tubes; set-top boxes, namely, computer software and hardware which can convert, supply, receive and transmit audio and video data; disc drives; packaged semi-conductors; integrated circuits containing programming used for audio, video or computer data processing; rechargeable general purpose batteries; audio and video data processors and converters in the nature of low noise converters, decoders and electronic encryption units for use in association with television and computer monitors; data transmission cables, namely, electronic cables and computer cables; electronic commerce payment machine; protective helmets for sports; magnetic encoded identification bracelets; electronic tickets, encoded; tickets in the form of

magnetic cards; contact lenses, receptacle for the cleaning and storing of contact lenses; interactive computer game software for playing computer games; computer game software, namely, computer games, computer game software for creating computer games; video game cartridges; electronic game programs for playing computer games and video games; downloadable interactive multimedia computer games, computer games, video games and electronic computer games; video games for use on video game terminals; video games; game terminals; headsets and helmets for virtual reality games; personal organisers, namely, electronic personal organisers; visors as headwear, namely, anti-glare visors

### **Class 16**

(3) Money clips for holding bank notes; table cloths of paper; napkins of paper; plastic shopping bags; bags of paper; invitation cards; greeting cards; gift wrap; paper coasters, placemats and table sets containing table cloths of paper, table napkins of paper, table runners of paper, tablemats of paper; garbage bags of paper or plastic; food wrappers; coffee filters; paper labels; paper towels; wet paper towels; toilet paper; make-up removing towelettes made of paper; boxed tissues; paper handkerchiefs; typewriting machines; typewriting, copying, and writing paper (stationery articles); envelopes; themed pads of paper; blocks of paper; notebooks; scribble pads; binders, namely, binders for office use, loose-leaf binders, ring binders, stationary binders; archiving boxes, namely, paper boxes, file boxes, cardboard boxes; document sleeves; book covers; bookmarks; lithographies, paintings (framed or unframed); painting pads, colouring books; drawing and activity books; luminous paper; adhesive note paper; crepe paper; tissue paper; heat transfer paper; heat sensitive paper, staples; staplers; flags of paper; pennants of paper; writing instruments; pens; pencils; ballpoint pens; pen sets; pencil sets; porous-point pens; colouring pens; broad-tip markers; ink; ink pads; rubber stamps; paint boxes; paint and colouring pencils; chalk; decorations for pencils (stationery articles); printing blocks; magazines; newspapers; books and journals, particularly dealing with athletes or sport events; printed teaching materials, namely, flashcards, textbooks, workbooks; printed schedules for recording results; event programs; event albums; photograph albums; autograph books; address books; diaries; personal organisers, namely, stationary personal organisers; roadmaps; entry tickets; airline tickets and boarding passes; cheques; printed timetables; pamphlets and brochures; comic strips; collectable trading cards; sports trading cards; bumper stickers; stickers; sticker albums; calendars; posters; photographs; postcards; trading stamps, stamps for collectible purposes, commemorative stamp sheets; advertising signs and banners of paper or cardboard; decals; office requisites, namely, punches, files, namely, file boxes, file folders, file pockets for stationary use, file jackets, correcting tapes, paper cutters (knives), stapling presses, finger moisteners; correction fluids; rubber erasers; pencil sharpeners; stands for writing implements; paper clips; drawing pins; rulers; adhesive tape for stationery, dispensers for adhesive tape; stencils; clip boards; notepad holders; bookends; phone, ATM, travel and entertainment, cheque guarantee and debit cards made of paper or cardboard, credit cards (not encoded) of paper or cardboard; passport holders; scratch cards

### **Class 18**

(4) luggage tags

### **Class 25**

(5) athletic headgear, namely, visors for athletic use, baseball caps, golf caps, casual headgear, namely, caps, hats, toques, head bands; shirts; knit sportswear; team jerseys, sports jerseys, pullovers, tank-tops; T-shirts; vests; singlets; dresses; skirts; underwear; swimwear, bikinis; tankinis; bath robes; shorts; pants; sweaters; bonnets; caps; hats; scarves; headscarves; sashes for wear; shawls; visors as headwear, namely, visor caps, visors for athletic use, sun visors; peaked caps; warm-up suits; sweatshirts; jackets; sports jackets; stadium jackets; blazers;

rainwear; coats; sports uniforms, sports uniforms for volunteer personnel; ties; wristbands; headbands; gloves; aprons; bibs (not of paper); pyjamas; toddler and infant playwear; sleeping bags for babies (clothing); socks and hosiery; suspenders; belts; trouser braces; sandals, thong sandals; athletic footwear, namely outdoor shoes, hiking shoes, basketball shoes, cross-training shoes, cycling shoes, indoor sports shoes, running and track-field shoes, flip-flops, football shoes (indoor and outdoor), football boots, canvas shoes, tennis shoes, urban sports shoes, sailing shoes, aerobic shoes; sports apparel, namely fleece tops, jogging suits, knit sportswear, sport casual pants, polo-shirts, sweatshirts, sweatpants, soccer-style shirts, rugby-style shirts, socks, swimwear, tights and leg warmers, tracksuits, functional underwear, bra tops, leotards, wristbands, headbands, gloves, snow suits, snow jackets, snow pants

### **Class 28**

(6) sport balls; board games; tables for table football; stuffed dolls and animals; toy vehicles; puzzles; jigsaw puzzles; balloons, namely, party balloons, toy balloons; inflatable toys; playing cards; confetti; articles for gymnastics and sport, appliances for gymnastics; football equipment, namely footballs, gloves, knee pads, elbow pads and shoulder pads, shin guards and football goals; football goal walls; sport bags and containers adapted for carrying sports articles; party hats (toys); hand-held electronic games adapted for use with television receivers only; video game machines; game consoles; hand-held game machines with liquid crystal displays; hand-held electronic games other than those adapted for use with television receivers only; gamepads; gambling machines; steering wheels for video games and dancing mats for video games; foam hands (toys); toy robots for entertainment; arcade games; replica models of aircraft; toys for pet animals; kites; roller skates; scooters (toys); skateboards; printed teaching materials, namely, educational toys and educational games for children

### **Services**

#### **Class 35**

(1) online shopping services via computer, a global computer network and interactive communications, namely, providing online shopping services in the fields of downloadable digital music, sporting goods, books, computers, software, consumer electronics, namely, smart phones, CD players, DVD players, tablet computers, sporting equipment, apparel, home housewares, garden ornaments and hand tools

#### **Class 38**

(2) Telecommunication services, namely, cellular phone services and mobile phone services, electronic transmission of facsimile communications, electronic transmission of messages and data via computer terminals, namely, electronic mail services; communications by telephone and mobile telephones; electronic communications services by telephone; communication by radio, namely, radio broadcasting, radio program broadcasting; paging by radio; communications by teleconferencing; television broadcasting; radio broadcasting; press and news agency services; leasing of telephone sets, facsimile and other communication equipment, namely, two-way radio sets and pagers; providing access to a website in the field of sports on the Internet, on electronic communication devices and on wireless electronic communication devices, namely, computers, smart phones, mobile phones, tablet computers, personal digital assistants; radio and television program broadcasting services provided via satellite, cable or wireless networks; cellular text messaging services, voice messaging services, wireless digital messaging services; providing access and leasing of access time to computer bulletin boards for transmission of messages among computer users and real-time chat forums via a global computer network; providing online chat rooms and electronic bulletin boards for registered users for transmission of text messages, photo management and photo sharing, namely, uploading, editing, organising and sharing the

photos with other users; providing online chat rooms and electronic bulletin boards for registered users for social-networking; providing access to web sites containing maps, information about driving directions and the location of businesses; transmission of text messages and photographic images via a global computer network; electronic mail services; providing information on-line from a computer database or from the Internet, related to sports or sporting events; providing telecommunications connections to the Internet or databases; providing access to digital music web sites on the Internet or on wireless electronic communication device; broadcasting of radio and television programs related to sports and sporting events; providing telecommunication connections to the Internet for custombuilt computer work stations; providing access to a centralized computer and computer databases containing sports information (IT service); providing access to the Internet via a global computer network or via wireless electronic communication device (IT service); streaming of video and audio via the Internet featuring music, movies, news, and sports; providing access to internet search engines; providing virtual facilities for real-time interaction among computer users

### **Class 41**

(3) Educational services, namely, providing of training in the field of soccer; training, namely, fitness training; providing of training courses, namely, education courses in the field of the travel industry, providing courses in the field of water management; entertainment services, namely, soccer games, competitions and tournaments; entertainment services in the form of movie theatres; entertainment services provided at or in conjunction with sports events, namely, dance performances, fireworks displays, live music shows, laser shows, public viewing of sporting competitions; entertainment services, namely, providing on-line interactive, computer, video or electronic games; providing interactive, computer, video or electronic games through computer networks or television or other telecommunications networks; providing websites featuring content and information in the field of games, namely, interactive multimedia computer games, computer games, video games and electronic computer and video games; providing temporary use of non-downloadable interactive computer games, computer games, video games and electronic games; organisation of computer game competitions; provision of games over the Internet or on wireless communication devices, namely, providing on-line computer games; providing online entertainment in the nature of computer and video game tournaments; organisation of computer game competitions, namely, online game competitions; computer game competitions organized on-line; translation services; organisation of lotteries and soccer competitions; operation of an amusement park; health and fitness club services; betting and gaming services relating to or in conjunction with sports; entertainment services provided at or relating to sports events, namely, dance performances, fireworks displays, live music shows, laser shows, public viewing of sporting competitions; entertainment services in the form of public viewings of sports events; provision of sporting and cultural activities, namely, dance performances, fireworks displays, live music shows, laser shows, public viewing of sporting competitions; organizing sporting and cultural events and activities, namely, dance performances, fireworks displays, live music shows, laser shows, public viewing of sporting competitions; organisation of sporting competitions and events in the field of football; organisation of sporting events in the field of soccer; providing sports arena facilities; rental services for audio and video equipment, namely, rental of cinematographic machines, rental of lighting for movie sets and film studios, rental of overhead projectors, rental of video screens, rental of audio speakers and microphones; production, presentation, publication and rental of films, sound and video recordings; publication and rental of interactive educational and entertainment products, namely films and books; publication of interactive educational and entertainment products, namely compact discs, DVDs, mini-discs, CD-Roms; publication of statistics and other information on sports performances; radio and television coverage of sporting events; Production



and editing services for radio and television program and video tapes; production of animated movies; production of animated television programs; seat booking services for shows and sporting events; ticket reservation services for entertainment and sporting events; timing of sports events; recording of sports events; organisation of beauty contests; on-line gambling services; provision of games over the Internet or on wireless electronic communication device; providing of raffle services; information in the field of entertainment and education in the field of soccer provided on-line from a computer database, the Internet and on wireless electronic communication devices, namely, smart phones and tablets; electronic games services provided by means of the Internet or on wireless electronic communication device (entertainment); publication of electronic books and journals on-line; publication of books; publication of electronic books and journals on-line; entertainment services in the form of chat rooms on the Internet or on wireless electronic communication device; entertainment services in the form of cinema performances; providing digital music from the Internet or on wireless electronic communication device; providing digital music from MP3 Internet web sites or by wireless electronic communication device; photography, audio, and videotaping production services; information provided on-line from a computer database or from the Internet, related to sports or sporting events; interpreter services; Provision of sports information related to statistical information; logging of sports record; provision of entertainment infrastructures, namely, VIP lounges and sky boxes both on and off site sports facilities for entertainment purposes; sports tickets agency services; hospitality services, namely customers reception services, provision of tickets for sporting or entertainment events providing online information in the fields of sports or sports events from a computer database or the Internet

**Application Number** 1,864,949  
**Language of Application** English

**Filing Date** 2017-10-27

## APPLICANT AND AGENT DETAILS

### Applicant

H&R Block Canada, Inc.  
700 - 2 Street SW  
Suite 2600  
Calgary  
ALBERTA  
T2P2W2

### Agent

GOWLING WLG (CANADA) LLP  
SUITE 1600, 1 FIRST CANADIAN PLACE, 100  
KING STREET WEST, TORONTO, ONTARIO,  
M5X1G5

## TRADEMARK DETAILS

# INSTANT REFUND BY H&R BLOCK

### Trademark Type

Standard Characters

### Services

#### Class 35

Tax services, namely, tax return preparation services, assessment and evaluation of taxes, tax advisory services, tax auditing, tax rebate discounting services

**Application Number** 1,864,950  
**Language of Application** English

**Filing Date** 2017-10-27

## APPLICANT AND AGENT DETAILS

### Applicant

H&R Block Canada, Inc.  
700 - 2 Street SW  
Suite 2600  
Calgary  
ALBERTA  
T2P2W2

### Agent

GOWLING WLG (CANADA) LLP  
SUITE 1600, 1 FIRST CANADIAN PLACE, 100  
KING STREET WEST, TORONTO, ONTARIO,  
M5X1G5

## TRADEMARK DETAILS

# H&R BLOCK'S INSTANT REFUND

### Trademark Type

Standard Characters

### Services

#### Class 35

Tax services, namely, tax return preparation services, assessment and evaluation of taxes, tax advisory services, tax auditing, tax rebate discounting services

**Application Number** 1,865,332  
**Language of Application** English

**Filing Date** 2017-10-30

## APPLICANT AND AGENT DETAILS

### Applicant

RESPIRA THERAPEUTICS, INC.  
5901 Indian School Road NE, #107  
Albuquerque, NM 87110  
UNITED STATES OF AMERICA

### Agent

MCCARTHY TETRAULT LLP  
745 Thurlow Street, Suite 2400, VANCOUVER,  
BRITISH COLUMBIA, V6E0C5

## TRADEMARK DETAILS

### Trademark Type

Design

### Visual Representation



### Goods

#### Class 05

inhaled pharmaceuticals administrated by aerosols delivered to patients via oral inhalation comprising therapeutics or diagnostic agents for the treatment or prophylaxis of local lung and systemic diseases of the cardiopulmonary, cardiovascular, endocrine, neuromuscular, orthopedic, and central and peripheral nervous systems, namely, diabetes, hypo-thyroidism, hyper-thyroidism, asthma, chronic obstructive pulmonary disease, emphysema, interstitial lung disease, interstitial pulmonary fibrosis, pulmonary hypertension, cystic fibrosis, fungal infection, viral and bacterial respiratory infections, vaccination for viral and bacterial infections, anaphylactic shock, dyspnea, congestive heart failure, atrial fibrillation, coronary artery disease, hyperlipidemia, anticoagulation, hypertension, Parkinson's disease, Alzheimer's disease, tremor, peripheral pain, central pain, osteoporosis, depression, and sleep disorder

### Claims

Priority Filing Date: July 05, 2017, Country or Office: UNITED STATES OF AMERICA, Application No: 87516804 in association with the same kind of goods

**Application Number** 1,865,978  
**Language of Application** English

**Filing Date** 2017-11-02

## APPLICANT AND AGENT DETAILS

### Applicant

Sun Chlorella Corp.  
369 Osaka-cho Karasuma-dori  
Gojo-sangaru Shimogyo-ku  
Kyoto 600-8177  
JAPAN

### Agent

THERRIEN COUTURE JOLI-COEUR S.E.N.C.  
R.L.  
2001 avenue McGill College, Bureau 900,  
Montréal, QUEBEC, H3A1G1

## TRADEMARK DETAILS

### Trademark Type

Design

### Visual Representation



### Colour Claim

Colour is claimed as a feature of the trademark. The color(s) red, white, blue and green is/are claimed as a feature of the mark. The mark consists of a red stripe over a blue stripe over a green stripe, across which, from end to end, is the wording SUN CHLORELLA in white, with the words SUN and CHLORELLA connected by a white circle with a blue center that is straddling the center, blue stripe.

### Goods

#### Class 03

(1) Facial and body cream not intended for sunscreen use; cosmetics, and facial and body creams all containing chlorella

#### Class 05

(2) Dietary supplements, namely, vitamins and minerals for general health and well-being; nutritional supplements, namely, vitamins and minerals for general health and well-being; dietary and nutritional supplements, namely, vitamins and minerals for general health and well-being; dietary supplements for pets, namely, vitamins and minerals for general health and well-being; pet foods supplements

### Services

#### Class 35

Online retail store services in the field of supplements, health food, nutritional food supplements, skin care preparations and supplements and nutrition products for human and for pets

**Application Number** 1,866,351  
**Language of Application** English

**Filing Date** 2017-11-03

## APPLICANT AND AGENT DETAILS

### Applicant

Big Fish Games, Inc.  
906 Alaskan Way, Suite 700  
Seattle, Washington 98104  
UNITED STATES OF AMERICA

### Agent

CLARK WILSON LLP  
900 - 885 WEST GEORGIA STREET,  
VANCOUVER, BRITISH COLUMBIA, V6C3H1

## TRADEMARK DETAILS

# COOKING CRAZE

### Trademark Type

Standard Characters

### Goods

#### Class 09

Computer games; downloadable interactive computer games, video games and electronic games; downloadable computer games; computer games, video games, and electronic games for use on mobile devices, namely mobile phones, cellular phones, portable media players, handheld computers and handheld digital electronic game consoles; downloadable electronic games for use with social networking applications; computer game software featuring entertainment content in the nature of video games, video game hints, video game facts, music and stories; audio and video recordings in the fields of online computer games and video games and video game instruction and tutorials; downloadable virtual goods for use in computer games, electronic games and video games, namely, computer programs featuring game currency, extra game time, power boosts, power-ups, enhanced abilities, access to exclusive in-game content, and in-game points and resources for use in acquiring in game upgrades and enhancements, all for use in online virtual worlds

### Services

#### Class 41

Entertainment services, namely, providing online interactive, computer, video and electronic games; online non-downloadable computer games provided via a global computer network; providing on-line information in the field of video games; entertainment and educational services, namely, providing instruction and tutorial sessions in the field of video games via online non-downloadable videos; entertainment services, namely, providing temporary use of online non-downloadable interactive video games, electronic games, computer games and video games; entertainment services, namely, providing online, non-downloadable game currency, extra game time, consumable in-game items, and functional in-game items, namely, upgrade items in the nature of power boosts, power-ups, enhanced abilities, access to content, and in game points and resources for use in online virtual worlds; providing computer game hints, tutorials, instructions, strategy guides and walkthroughs via a website

### Claims

Priority Filing Date: June 08, 2017, Country or Office: UNITED STATES OF AMERICA, Application No: 87480640 in association with the same kind of services; June 08, 2017, Country or Office: UNITED STATES OF AMERICA, Application No: 87480575 in association with the same kind of goods

**Application Number** 1,866,939  
**Language of Application** English

**Filing Date** 2017-11-08

## APPLICANT AND AGENT DETAILS

### Applicant

eyeTrust.ca Corporation  
318 Broadview Avenue  
Toronto  
ONTARIO  
M4M2G9

### Agent

MICHELE BALLAGH  
(c/o Ballagh & Edward LLP), 102-175  
Longwood Road S., Hamilton, ONTARIO,  
L8P0A1

## TRADEMARK DETAILS

# EYETRUST

### Trademark Type

Word

### Goods

#### Class 03

(1) eyeglass lens cleaning solutions; eyeglass spray cleaner; pre-moistened towelettes impregnated with a lens cleaning solution;

#### Class 08

(2) tweezers; screwdrivers; nut wrenches; rasp hand tools, namely flat files and half round files; optometric pliers, namely nose pad adjusting pliers, straight needle nose pliers, metal angling pliers, dual nylon gripping pliers, temple adjusting pliers and diagonal pliers;

#### Class 09

(3) eyeglass lenses; eyeglass frames; sunglasses; contact lenses; eyeglass cases; eyeglass accessories, namely eyewear cases, eyeglass cords and eyeglass chains; light pens; eyeglass frame heaters; ultrasonic eyeglass cleaners; auto-lensometers; carrying cases and containers for optometric instruments, tools and eyeglass lenses;

#### Class 10

(4) optometric instruments, namely lens clocks, pinhole occluders, lens calipers, pupillary distance rulers, pupillometers, trial lens sets, phoropters, lensometers, trial frames, Jackson cross cylinder lens;

#### Class 16

(5) printed eye charts for medical examination use;

#### Class 21

(6) eyeglass lens cleaning cloths;

#### Class 22

(7) fabric gift bags;

### Services

#### Class 35



(1) business management consulting services in the field of optometry and optical; business administration and management services for others in the field of optometry and optical; buying club services; social media strategy consulting; special event planning for business purposes; organizing and hosting events for business networking purposes; business management of electronic advertising via the Internet for others

**Class 41**

(2) educational services, namely seminars and workshops in the field of optics and optometry;

**Class 42**

(3) printing, graphic design and marketing services for others, namely graphic art design, packaging design, website design, creating and maintaining blogs and social media accounts for others, preparation of electronic advertising for others, namely graphic design of electronic advertising materials for others

**Class 44**

(4) optometry and eye care services;

**Application Number** 1,866,961  
**Language of Application** French

**Filing Date** 2017-11-08

## APPLICANT AND AGENT DETAILS

### Applicant

GROUPE ADEQUAT, Société anonyme  
115 Avenue du Maréchal de Saxe  
69003 Lyon  
FRANCE

### Agent

LAVERY, DE BILLY, LLP  
1 Place Ville Marie, Suite 4000, Montréal,  
QUÉBEC, H3B4M4

## TRADEMARK DETAILS

### Trademark Type

Design

### Visual Representation



### Colour Claim

Colour is claimed as a feature of the trademark. The leftmost figure is PANTONE red 485 C. The figure's shadow is PANTONE grey 7545 C. The shape and the term ADÉQUAT are PANTONE red 485 C. PANTONE is a registered trademark.

### Services

#### Class 35

(1) Business administration of licences for the goods and services of others; personnel recruitment agencies; market intelligence agencies offering information in the field of personnel recruitment and placement; assistance in the management of commercial and industrial businesses; business management assistance; assistance and advice related to business management and organization; business auditing [business analyses]; placement agencies; compilation of statistics for business and commercial purposes; compilation and systematization of information into computer databases; advice related to business organization; business organization advice; business organization and management advice; personnel-related consulting; preparation of statistics; billing; computer file management; personnel management; human resources management; information related to human resources; provision of employment information for others; online provision of Internet business information directories; arrangement of subscriptions to the online publications of others; placement of staff; personnel placement; competitive branding, namely brand image services; preparation of payroll; preparation of business reports; preparation of business statistics; commercial management advice related to franchising, namely technical assistance in relation to the establishment and operation of personnel recruitment agency franchises, consulting in relation to the operation of franchises; dispensing of advice related to business efficiency, namely expert consulting in business efficiency; dispensing of advice and information related to commercial business management services; commercial consulting, namely advisory services relating to business management; business consulting offered in relation to the

establishment and operation of franchises; dispensing of advice related to business risk management; dispensing of advice and assistance related to business management; provision of online commercial directory information services; provision of business information, namely provision of market intelligence services; conduct of personality tests for recruitment purposes; skills assessments for individuals in relation to their job; retrieval of business information in computer files for others in the field of personnel recruitment and placement; personnel recruitment; recruitment of temporary personnel; collection of computerized data in a central file for others in the field of personnel recruitment and placement; personnel selection using psychological testing; psychological testing for the selection of personnel; purchasing of goods and services for other businesses, namely purchasing of stationery, computer hardware, books and educational manuals; personnel management assistance services; advertising services, namely preparation and placement of advertisements for others in relation to personnel recruitment; business assistance services, namely assistance related to the commercial management of industrial or commercial businesses; compilation of business statistics and commercial information; compilation of statistical information; business consulting services and commercial consulting, namely consulting services related to business management and business operations, consulting related to the conduct of business; business risk management consultant services; consultant services related to the management and organization of businesses in the field of personnel management; consultant services related to recruitment; human resources consultant services; consulting and advisory services in the field of business strategy; consultant services and dispensing of advice related to personnel placement, recruitment and management; professional consultant services relating to personnel management; information and advice related to the selection, recruitment, placement and provision of temporary, short-term and permanent personnel; dissemination of advertising for others via the Internet; personnel management and employment consulting services; rental services for online advertising space; rental services for Internet advertising space; provision of information related to personnel recruitment; temporary personnel placement services; personnel recruitment and placement services; selection, recruitment, placement and provision of temporary, short-term and permanent personnel; assistance services for people seeking employment, training and professional advice for the purpose of facilitating their redeployment and workplace reintegration; executive selection and search services; executive recruiting services; staffing needs assessment services; business risk assessment services; statistical evaluation of data from market studies; information services in relation to employment and career development; interpretation of data from market studies; contract procurement services for others in the fields of temporary work, personnel placement and personnel recruitment; services provided by a temporary work agency, namely provision of personnel, namely personnel relocation, employee outplacement services; recruitment firms for part-time and permanent personnel; recruitment firms for temporary and permanent personnel; placement agencies for part-time and permanent personnel; placement agencies for temporary and permanent personnel; selection, recruitment, placement, secondment and management of personnel; selection, recruitment, placement and management of temporary, short-term and permanent personnel; consulting related to personnel; consulting related to personnel management; market studies; psychological testing for the selection of personnel; employee replacement, namely replacement of temporary and permanent personnel on maternity leave, sick leave and vacation; information, consulting and assistance in the fields of temporary work, personnel placement and personnel recruitment; provision of online and printed information in the field of personnel management; placement agency services, namely online provision of job advertisements and job descriptions; consulting of executives in the field of business management and organization, namely consulting services related to business organization and management, business management consulting; business consulting related to the identification and recruitment of subcontractors for the provision of computer services,

computer engineering services and financial services; provision of statistical information for commercial purposes; payroll accounting and payroll invoicing for others as well as consulting services related thereto; pay slip management and preparation agencies; consulting services for matters related to pay slip management and preparation; computer file management; consulting related to business management and organization; conduct of psychological tests, namely aptitude and behavioural tests for use by placement agencies and for assessing personnel; conduct of psychological aptitude tests for individuals in the fields of office work, secretarial work, word processing, data entry, information systems management, industry and technology for placement agencies and for assessing personnel; conduct of capacity assessments for individuals in the fields of office work, secretarial work, word processing, data entry, industry and technology; umbrella company services; organization and management of franchise networks, namely in the fields of temporary work, personnel placement and personnel recruitment; services provided by a franchisor and a corporation offering a partnership, namely assistance in the operation, organization and management of a commercial enterprise and an agency, namely in the fields of temporary work, personnel placement and personnel recruitment; services provided by a franchisor and a corporation offering a partnership, namely transfer (provision) of business, administrative and marketing know-how, namely in the fields of temporary work, personnel placement and personnel recruitment; provision of the franchisor's franchisee clients, provided compliance with the agreement between the franchisor and its clients, in the fields of temporary work, personnel placement and personnel recruitment; administrative services, namely in the fields of salaries and personnel, namely administration of business payroll for others; career counselling related to personnel and personnel-related matters; consulting services related to career counselling; interim commercial management services, career counselling services, personnel replacement services, redeployment services; commercial project management services in the field of personnel recruitment and placement; consultant services related to business economics and management; services for placing the personnel of a closing business into other businesses (outplacement); workplace integration services in the nature of integration services for persons with disabilities and integration services for hard-to-place individuals; assistance services provided to employers for the hiring and redeployment of their employees, namely collection of submitted job listings, assistance in identifying needs and drafting job offers; office functions, namely secretarial and clerical services; consulting services related to human resources and to individual and corporate support regarding organizational change; interim business management services in the nature of services for the temporary placement of individuals within a company until the said company finds a replacement for one of its employees; preparation and conduct of job search interviews; compilation of Internet web pages, namely compilation of advertisements for use as web pages on the Internet.

#### **Class 41**

(2) Personal coaching, namely specialized mentoring services in the field of career development; conduct of vocational training and continuing education classes for others in the field of personnel recruitment and placement; training and further training for others, namely training courses, directed studies, training workshops in the field of temporary work, namely temporary employment agencies, personnel placement and personnel recruitment; computer-assisted training, namely correspondence courses in the field of personnel recruitment and placement; continuing education in the field of personnel recruitment and placement; training, namely classes, workshops and conferences in the field of personal development; training and further training, namely training courses, directed studies, training workshops, conferences, related to personnel development, team building and organizational development within companies; practical training, namely educational demonstrations in the field of personnel recruitment and placement; provision of e-

training courses, namely training courses and conferences in the fields of personnel recruitment and placement; organization of training workshops, namely training courses, seminars, training workshops in the field of personnel recruitment and placement; interviews for determining training paths for the purpose of providing, placing and recruiting personnel; preparation and hosting of colloquia, conferences, conventions, seminars, symposia, directed studies, training courses and training workshops in the field of personnel recruitment and placement; publishing of training manuals; publishing of texts and images, namely in electronic form, other than for advertising purposes, namely publishing of electronic magazines, online publishing of electronic books and journals, publishing of electronic journals, publishing of editorial content on sites accessible on a global computer network; publishing of a newspaper for clients (Internet-based); editing and publishing services for printed products, namely catalogues, flyers, calendars, books, magazines, journals, brochures, texts (other than advertising copy), namely articles in the fields of personnel recruitment and placement and any audio and visual media, media for the recording, transmission and reproduction of sound and images (except advertising), namely pre-recorded CDs and DVDs containing information in the fields of temporary work, personnel placement and personnel recruitment; consultant services related to training and further training in the field of personnel recruitment and placement; training in the context of a global human resources offer, including training in the field of workplace safety, in the legal field, in the field of computers, namely computer training; career counselling in the nature of consulting related to training in the field of personnel recruitment and placement; career counselling; conduct of custom workshops and seminars for job seekers, in relation to networking, career management, commercial management and competency assessments, coaching and professional development for executive professionals in the field of personnel recruitment and placement; conduct of training programs in the fields of office work, secretarial work, word processing, data entry, information systems management; organization and conduct of training workshops, colloquia, conferences, conventions, seminars, symposia, namely in the fields of temporary work, namely temporary employment agencies, personnel placement and personnel recruitment; services provided by a franchisor and a corporation offering a partnership, namely training of franchisees, partners and franchise personnel from personnel recruitment agencies, namely in the fields of temporary work, personnel placement and personnel recruitment.

#### **Class 42**

(3) Administration of user access rights on global computer networks; administration of network servers and Internet servers; computer systems design and analysis; handwriting analysis; compilation of computer programs for managing documents and files in the fields of temporary work, personnel placement and personnel recruitment; digital compression of computer data for electronic storage; design, creation and programming of web pages; design of computer databases; design of computer software for use with printing machines; design of computer software, firmware, computer hardware and computer systems; design of computer hardware and software; design of computer hardware and software for commercial analysis and documentation; design of firmware; design of home pages and Internet pages; design of home pages and web pages; design of Internet pages; web page design; design of web pages for others; web portal design; design of computer programs for others; website development for others; computer systems design; design, development and programming of computer software; design, development, installation and maintenance of computer software; design, development, maintenance and updating of data processing software; design and graphic design for the creation of Internet web pages; design and graphic design for the creation of websites; design and construction of home pages and websites; design and creation of home pages and Internet pages; design and creation of home pages and web pages; design and creation of home pages and

websites; design and creation of websites for others; design and development of electronic databases; design and development of computer databases; design and development of computer software; design and development of electronic database software; design and development of computer software for the reading, transmission and organization of data; design and development of operating software for computer networks and servers; design and development of database management software; design and development of software for importing and managing data; design and development of home pages and websites; design and development of web pages; design and development of computer systems for entering, retrieving, processing, displaying and storing electronic data, namely text messages, sounds, namely music, still and animated images, in the field of personnel recruitment and placement; design and writing of computer software; design and hosting of web portals; design and rental of computer software; design and maintenance of home pages on the Internet; design and maintenance of websites for others; design and updating of computer software; design and updating of home pages and web pages; website design and programming; design, installation, updating and maintenance of computer software; design, maintenance, development and updating of computer software; design, maintenance and updating of computer software; design, maintenance, rental and updating of computer software; design, updating and rental of computer software; design, upgrading and rental of computer software; custom design of computer hardware and software; design, programming and maintenance of computer software; configuration of computer software; configuration of computer hardware using computer software; configuration of computer networks using computer software; configuration, installation, troubleshooting, repair, maintenance and upgrading of computer software; website design consulting; website construction and maintenance; quality control of computer systems; creation, design, development and maintenance of websites for others; creation, design and maintenance of web sites; creation of data processing programs; design of computer programs; creation and design of web pages for others; creation and development of data processing computer programs; website creation and maintenance for others; creation and maintenance of custom web pages; website creation and maintenance; creation, maintenance and updating of software; debugging of computer software for others; troubleshooting, namely repair of computer software; website development for others; development of computer application solutions; computer software development and maintenance; development and maintenance of computer database software; development and updating of computer software; development, programming and rental of data processing programs; troubleshooting of computer hardware through the use of computer software; writing of computer software; writing of computer programs; writing and updating of computer software; computer software development [design]; testing of computer software; testing of computer hardware and computer software; testing of computer programs; hosting of computer software applications for others, namely cloud computing providing web hosting for software applications; hosting of computer databases; hosting of Internet platforms; hosting of web portals; server hosting; hosting of websites; hosting of websites on the Internet; implementation of computer programs on networks; installation of computer software; installation of Internet access software; installation of database software; installation of computer programs; computer software installation and maintenance; installation and maintenance of Internet access software; installation and maintenance of database software; installation, maintenance and updating of computer software; installation, maintenance and updating of database software; installation, maintenance and repair of computer software; installation, maintenance and repair of software for computer systems; installation, maintenance, updating and upgrading of computer software; rental of Internet access software; rental of computer database software; rental of operating software for computer networks and servers; rental of computer software; rental of database management software; rental of software for importing and managing data; rental of data processing programs; rental of computer

programs; rental of web servers; rental and maintenance of computer software; rental and updating of data processing software; rental of computer software and programs; maintenance of database software; maintenance of computer programs; maintenance and updating of computer software; maintenance and upgrading of computer software; maintenance and repair of computer software; provision of computer programs designed to the specification of others, namely computer programs for processing data; design and development of computer systems and networks for others; provision and rental of electronic storage space [web space], namely a database server, to others on the Internet; temporary provision of non-downloadable software applications accessible through a website; updating of computer software; updating of database software; updating of Internet pages; updating of computer programs; updating of websites; upgrading of computer software; scanning of documents; consulting and development services related to computer software; consulting and information services related to computer software; programming of operating software for accessing and using a cloud-based computer network, namely cloud computing providing database management software; programming of operating software for computer networks and servers; programming of software for Internet platforms; programming of database management software; programming of computer software for importing and managing data; programming of software for information platforms on the Internet; programming of custom web pages; programming of custom web pages providing user-defined information, personal profiles and information; programming of data processing programs; computer programming for data processing; computer programming and software design; computer programming for data processing and communications systems; research, development, design and upgrading of computer software; technical support services related to computer software, namely repair of damaged computer programs; computer programming consulting, computer software consulting, consulting services related to computer hardware design and development; consultant services related to the design of home pages and Internet pages; consultant services related to the design of home pages and Internet sites; consultant services related to web page design; consultant services related to the creation of home pages and Internet pages; consultant services related to the creation and design of websites; electronic data backup services for others in the field of personnel management; computer security services for protection against unauthorized network access; technological services as well as research and design services related thereto, in the fields of data processing, data analysis and computer data conversion in the field of personnel management; electronic storage of data for others, namely provision of cloud computing for data storage; storage and backup of electronic data in computer databases; automation services for storing personnel management data provided through the Internet.

#### **Class 45**

(4) Legal aid in the drafting of contracts; licensing of computer software [legal services]; consulting related to workplace safety; provision of legal expertise; provision of information regarding legal matters; licensing of franchising concepts [legal services]; licensing of computer programs [legal services]; dispensing of legal advice; dispensing of legal advice relating to franchising; dispensing of advice, information and consulting services related to legal matters; legal aid services; consultant services related to workplace safety regulations; consultant services related to workplace safety; legal consultant services relating to franchising; professional legal consultations relating to franchising; legal information services; legal services; provision of distinctive signs, namely legal services relating to the registration of trademarks, licensing of trademarks; services provided by a franchisor and a corporation offering a partnership, namely transfer (provision) of legal know-how in the fields of temporary work, personnel placement and personnel recruitment.

#### **Claims**

Priority Filing Date: May 11, 2017, Country or Office: FRANCE, Application No: 17 4 360 769 in association with the same kind of services



**Application Number** 1,866,962  
**Language of Application** French

**Filing Date** 2017-11-08

## APPLICANT AND AGENT DETAILS

### Applicant

GROUPE ADEQUAT, Société anonyme  
115 Avenue du Maréchal de Saxe  
69003 Lyon  
FRANCE

### Agent

LAVERY, DE BILLY, LLP  
1 Place Ville Marie, Suite 4000, Montréal,  
QUÉBEC, H3B4M4

## TRADEMARK DETAILS

# Simplement pour vous

### Trademark Type

Word

### Services

#### Class 35

(1) Business administration of licences for the goods and services of others; personnel recruitment agencies; market intelligence agencies offering information in the field of personnel recruitment and placement; assistance in the management of commercial and industrial businesses; business management assistance; assistance and advice related to business management and organization; business auditing [business analyses]; placement agencies; compilation of statistics for business and commercial purposes; compilation and systematization of information into computer databases; advice related to business organization; business organization advice; business organization and management advice; personnel-related consulting; preparation of statistics; billing; computer file management; personnel management; human resources management; information related to human resources; provision of employment information for others; online provision of Internet business information directories; arrangement of subscriptions to the online publications of others; placement of staff; personnel placement; competitive branding, namely brand image services; preparation of payroll; preparation of business reports; preparation of business statistics; commercial management advice related to franchising, namely technical assistance in relation to the establishment and operation of personnel recruitment agency franchises, consulting in relation to the operation of franchises; dispensing of advice related to business efficiency, namely expert consulting in business efficiency; dispensing of advice and information related to commercial business management services; commercial consulting, namely advisory services relating to business management; business consulting offered in relation to the establishment and operation of franchises; dispensing of advice related to business risk management; dispensing of advice and assistance related to business management; provision of online commercial directory information services; provision of business information, namely provision of market intelligence services; conduct of personality tests for recruitment purposes; skills assessments for individuals in relation to their job; retrieval of business information in computer files for others in the field of personnel recruitment and placement; personnel recruitment; recruitment of temporary personnel; collection of computerized data in a central file for others in the field of personnel recruitment and placement; personnel selection using psychological testing; psychological testing for the selection of personnel; purchasing of goods and services for other businesses, namely purchasing of stationery, computer hardware, books and educational

manuals; personnel management assistance services; advertising services, namely preparation and placement of advertisements for others in relation to personnel recruitment; business assistance services, namely assistance related to the commercial management of industrial or commercial businesses; compilation of business statistics and commercial information; compilation of statistical information; business consulting services and commercial consulting, namely consulting services related to business management and business operations, consulting related to the conduct of business; business risk management consultant services; consultant services related to the management and organization of businesses in the field of personnel management; consultant services related to recruitment; human resources consultant services; consulting and advisory services in the field of business strategy; consultant services and dispensing of advice related to personnel placement, recruitment and management; professional consultant services relating to personnel management; information and advice related to the selection, recruitment, placement and provision of temporary, short-term and permanent personnel; dissemination of advertising for others via the Internet; personnel management and employment consulting services; rental services for online advertising space; rental services for Internet advertising space; provision of information related to personnel recruitment; temporary personnel placement services; personnel recruitment and placement services; selection, recruitment, placement and provision of temporary, short-term and permanent personnel; assistance services for people seeking employment, training and professional advice for the purpose of facilitating their redeployment and workplace reintegration; executive selection and search services; executive recruiting services; staffing needs assessment services; business risk assessment services; statistical evaluation of data from market studies; information services in relation to employment and career development; interpretation of data from market studies; contract procurement services for others in the fields of temporary work, personnel placement and personnel recruitment; services provided by a temporary work agency, namely provision of personnel, namely personnel relocation, employee outplacement services; recruitment firms for part-time and permanent personnel; recruitment firms for temporary and permanent personnel; placement agencies for part-time and permanent personnel; placement agencies for temporary and permanent personnel; selection, recruitment, placement, secondment and management of personnel; selection, recruitment, placement and management of temporary, short-term and permanent personnel; consulting related to personnel; consulting related to personnel management; market studies; psychological testing for the selection of personnel; employee replacement, namely replacement of temporary and permanent personnel on maternity leave, sick leave and vacation; information, consulting and assistance in the fields of temporary work, personnel placement and personnel recruitment; provision of online and printed information in the field of personnel management; placement agency services, namely online provision of job advertisements and job descriptions; consulting of executives in the field of business management and organization, namely consulting services related to business organization and management, business management consulting; business consulting related to the identification and recruitment of subcontractors for the provision of computer services, computer engineering services and financial services; provision of statistical information for commercial purposes; payroll accounting and payroll invoicing for others as well as consulting services related thereto; pay slip management and preparation agencies; consulting services for matters related to pay slip management and preparation; computer file management; consulting related to business management and organization; conduct of psychological tests, namely aptitude and behavioural tests for use by placement agencies and for assessing personnel; conduct of psychological aptitude tests for individuals in the fields of office work, secretarial work, word processing, data entry, information systems management, industry and technology for placement agencies and for assessing personnel; conduct of capacity assessments for individuals in the fields of office work, secretarial work, word processing, data entry, industry and technology;

umbrella company services; organization and management of franchise networks, namely in the fields of temporary work, personnel placement and personnel recruitment; services provided by a franchisor and a corporation offering a partnership, namely assistance in the operation, organization and management of a commercial enterprise and an agency, namely in the fields of temporary work, personnel placement and personnel recruitment; services provided by a franchisor and a corporation offering a partnership, namely transfer (provision) of business, administrative and marketing know-how, namely in the fields of temporary work, personnel placement and personnel recruitment; provision of the franchisor's franchisee clients, provided compliance with the agreement between the franchisor and its clients, in the fields of temporary work, personnel placement and personnel recruitment; administrative services, namely in the fields of salaries and personnel, namely administration of business payroll for others; career counselling related to personnel and personnel-related matters; consulting services related to career counselling; interim commercial management services, career counselling services, personnel replacement services, redeployment services; commercial project management services in the field of personnel recruitment and placement; consultant services related to business economics and management; services for placing the personnel of a closing business into other businesses (outplacement); workplace integration services in the nature of integration services for persons with disabilities and integration services for hard-to-place individuals; assistance services provided to employers for the hiring and redeployment of their employees, namely collection of submitted job listings, assistance in identifying needs and drafting job offers; office functions, namely secretarial and clerical services; consulting services related to human resources and to individual and corporate support regarding organizational change; interim business management services in the nature of services for the temporary placement of individuals within a company until the said company finds a replacement for one of its employees; preparation and conduct of job search interviews; compilation of Internet web pages, namely compilation of advertisements for use as web pages on the Internet.

#### **Class 41**

(2) Personal coaching, namely specialized mentoring services in the field of career development; conduct of vocational training and continuing education classes for others in the field of personnel recruitment and placement; training and further training for others, namely training courses, directed studies, training workshops in the field of temporary work, namely temporary employment agencies, personnel placement and personnel recruitment; computer-assisted training, namely correspondence courses in the field of personnel recruitment and placement; continuing education in the field of personnel recruitment and placement; training, namely classes, workshops and conferences in the field of personal development; training and further training, namely training courses, directed studies, training workshops, conferences, related to personnel development, team building and organizational development within companies; practical training, namely educational demonstrations in the field of personnel recruitment and placement; provision of e-training courses, namely training courses and conferences in the fields of personnel recruitment and placement; organization of training workshops, namely training courses, seminars, training workshops in the field of personnel recruitment and placement; interviews for determining training paths for the purpose of providing, placing and recruiting personnel; preparation and hosting of colloquia, conferences, conventions, seminars, symposia, directed studies, training courses and training workshops in the field of personnel recruitment and placement; publishing of training manuals; publishing of texts and images, namely in electronic form, other than for advertising purposes, namely publishing of electronic magazines, online publishing of electronic books and journals, publishing of electronic journals, publishing of editorial content on sites accessible on a global computer network; publishing of a newspaper for clients (Internet-based); editing and

publishing services for printed products, namely catalogues, flyers, calendars, books, magazines, journals, brochures, texts (other than advertising copy), namely articles in the fields of personnel recruitment and placement and any audio and visual media, media for the recording, transmission and reproduction of sound and images (except advertising), namely pre-recorded CDs and DVDs containing information in the fields of temporary work, personnel placement and personnel recruitment; consultant services related to training and further training in the field of personnel recruitment and placement; training in the context of a global human resources offer, including training in the field of workplace safety, in the legal field, in the field of computers, namely computer training; career counselling in the nature of consulting related to training in the field of personnel recruitment and placement; career counselling; conduct of custom workshops and seminars for job seekers, in relation to networking, career management, commercial management and competency assessments, coaching and professional development for executive professionals in the field of personnel recruitment and placement; conduct of training programs in the fields of office work, secretarial work, word processing, data entry, information systems management; organization and conduct of training workshops, colloquia, conferences, conventions, seminars, symposia, namely in the fields of temporary work, namely temporary employment agencies, personnel placement and personnel recruitment; services provided by a franchisor and a corporation offering a partnership, namely training of franchisees, partners and franchise personnel from personnel recruitment agencies, namely in the fields of temporary work, personnel placement and personnel recruitment.

#### **Class 42**

(3) Administration of user access rights on global computer networks; administration of network servers and Internet servers; computer systems design and analysis; handwriting analysis; compilation of computer programs for managing documents and files in the fields of temporary work, personnel placement and personnel recruitment; digital compression of computer data for electronic storage; design, creation and programming of web pages; design of computer databases; design of computer software for use with printing machines; design of computer software, firmware, computer hardware and computer systems; design of computer hardware and software; design of computer hardware and software for commercial analysis and documentation; design of firmware; design of home pages and Internet pages; design of home pages and web pages; design of Internet pages; web page design; design of web pages for others; web portal design; design of computer programs for others; website development for others; computer systems design; design, development and programming of computer software; design, development, installation and maintenance of computer software; design, development, maintenance and updating of data processing software; design and graphic design for the creation of Internet web pages; design and graphic design for the creation of websites; design and construction of home pages and websites; design and creation of home pages and Internet pages; design and creation of home pages and web pages; design and creation of home pages and websites; design and creation of websites for others; design and development of electronic databases; design and development of computer databases; design and development of computer software; design and development of electronic database software; design and development of computer software for the reading, transmission and organization of data; design and development of operating software for computer networks and servers; design and development of database management software; design and development of software for importing and managing data; design and development of home pages and websites; design and development of web pages; design and development of computer systems for entering, retrieving, processing, displaying and storing electronic data, namely text messages, sounds, namely music, still and animated images, in the field of personnel recruitment and placement; design and writing of computer software;

design and hosting of web portals; design and rental of computer software; design and maintenance of home pages on the Internet; design and maintenance of websites for others; design and updating of computer software; design and updating of home pages and web pages; website design and programming; design, installation, updating and maintenance of computer software; design, maintenance, development and updating of computer software; design, maintenance and updating of computer software; design, maintenance, rental and updating of computer software; design, updating and rental of computer software; design, upgrading and rental of computer software; custom design of computer hardware and software; design, programming and maintenance of computer software; configuration of computer software; configuration of computer hardware using computer software; configuration of computer networks using computer software; configuration, installation, troubleshooting, repair, maintenance and upgrading of computer software; website design consulting; website construction and maintenance; quality control of computer systems; creation, design, development and maintenance of websites for others; creation, design and maintenance of web sites; creation of data processing programs; design of computer programs; creation and design of web pages for others; creation and development of data processing computer programs; website creation and maintenance for others; creation and maintenance of custom web pages; website creation and maintenance; creation, maintenance and updating of software; debugging of computer software for others; troubleshooting, namely repair of computer software; website development for others; development of computer application solutions; computer software development and maintenance; development and maintenance of computer database software; development and updating of computer software; development, programming and rental of data processing programs; troubleshooting of computer hardware through the use of computer software; writing of computer software; writing of computer programs; writing and updating of computer software; computer software development [design]; testing of computer software; testing of computer hardware and computer software; testing of computer programs; hosting of computer software applications for others, namely cloud computing providing web hosting for software applications; hosting of computer databases; hosting of Internet platforms; hosting of web portals; server hosting; hosting of websites; hosting of websites on the Internet; implementation of computer programs on networks; installation of computer software; installation of Internet access software; installation of database software; installation of computer programs; computer software installation and maintenance; installation and maintenance of Internet access software; installation and maintenance of database software; installation, maintenance and updating of computer software; installation, maintenance and updating of database software; installation, maintenance and repair of computer software; installation, maintenance and repair of software for computer systems; installation, maintenance, updating and upgrading of computer software; rental of Internet access software; rental of computer database software; rental of operating software for computer networks and servers; rental of computer software; rental of database management software; rental of software for importing and managing data; rental of data processing programs; rental of computer programs; rental of web servers; rental and maintenance of computer software; rental and updating of data processing software; rental of computer software and programs; maintenance of database software; maintenance of computer programs; maintenance and updating of computer software; maintenance and upgrading of computer software; maintenance and repair of computer software; provision of computer programs designed to the specification of others, namely computer programs for processing data; design and development of computer systems and networks for others; provision and rental of electronic storage space [web space], namely a database server, to others on the Internet; temporary provision of non-downloadable software applications accessible through a website; updating of computer software; updating of database software; updating of Internet pages; updating of computer programs; updating of websites; upgrading of computer

software; scanning of documents; consulting and development services related to computer software; consulting and information services related to computer software; programming of operating software for accessing and using a cloud-based computer network, namely cloud computing providing database management software; programming of operating software for computer networks and servers; programming of software for Internet platforms; programming of database management software; programming of computer software for importing and managing data; programming of software for information platforms on the Internet; programming of custom web pages; programming of custom web pages providing user-defined information, personal profiles and information; programming of data processing programs; computer programming for data processing; computer programming and software design; computer programming for data processing and communications systems; research, development, design and upgrading of computer software; technical support services related to computer software, namely repair of damaged computer programs; computer programming consulting, computer software consulting, consulting services related to computer hardware design and development; consultant services related to the design of home pages and Internet pages; consultant services related to the design of home pages and Internet sites; consultant services related to web page design; consultant services related to the creation of home pages and Internet pages; consultant services related to the creation and design of websites; electronic data backup services for others in the field of personnel management; computer security services for protection against unauthorized network access; technological services as well as research and design services related thereto, in the fields of data processing, data analysis and computer data conversion in the field of personnel management; electronic storage of data for others, namely provision of cloud computing for data storage; storage and backup of electronic data in computer databases; automation services for storing personnel management data provided through the Internet.

#### **Class 45**

(4) Legal aid in the drafting of contracts; licensing of computer software [legal services]; consulting related to workplace safety; provision of legal expertise; provision of information regarding legal matters; licensing of franchising concepts [legal services]; licensing of computer programs [legal services]; dispensing of legal advice; dispensing of legal advice relating to franchising; dispensing of advice, information and consulting services related to legal matters; legal aid services; consultant services related to workplace safety regulations; consultant services related to workplace safety; legal consultant services relating to franchising; professional legal consultations relating to franchising; legal information services; legal services; provision of distinctive signs, namely legal services relating to the registration of trademarks, licensing of trademarks; services provided by a franchisor and a corporation offering a partnership, namely transfer (provision) of legal know-how in the fields of temporary work, personnel placement and personnel recruitment.

#### **Claims**

Priority Filing Date: May 11, 2017, Country or Office: FRANCE, Application No: 17 4 360 758 in association with the same kind of services

**Application Number** 1,867,282  
**Language of Application** French

**Filing Date** 2017-11-09

## APPLICANT AND AGENT DETAILS

### Applicant

BEAULIEU CANADA LTD. / BEAULIEU  
CANADA LTEE  
335 Roxton Blvd.  
Acton Vale  
QUÉBEC  
J0H1A0

### Agent

EDITH JACQUES  
(LAVERY, DE BILLY S.E.N.C.R.L.), SUITE  
4000, 1 PLACE VILLE MARIE, MONTREAL,  
QUÉBEC, H3B4M4

## TRADEMARK DETAILS

# Beaulieu Canada Right Color, Right Design

### Trademark Type

Word

### Goods

#### Class 01

(1) Adhésifs pour revêtements de sol.

#### Class 08

(2) Outils pour l'installation de tapis, nommément rouleaux, outils de coupe, couteaux.

#### Class 17

(3) Ruban pour joints de tapis; pièces de fixation de tapis, nommément pièces de renfort de tapis, nommément bandes adhésives pour joindre le tapis.

#### Class 19

(4) Revêtements de sol en bois dur massif; revêtements de sol en bois dur d'ingénierie; revêtements de sol stratifiés; revêtements de sol en vinyle; plinthes et garnitures.

#### Class 24

(5) Couvre-sièges de toilette en tissu; housses pour réservoir de toilette en tissu.

#### Class 27

(6) Revêtements de sol, nommément revêtements de sol en vinyle; tapis, carreaux de tapis, tapis, nommément carpettes, moquettes, thibaude, accessoires en tapis de bain, nommément tapis contour pour toilettes, tapis de bain et carpettes; revêtements de sol en tissu.

### Services

#### Class 35

(1) Exploitation, pour le compte de tiers, d'une entreprise spécialisée dans le marketing et la vente de revêtements de sol, nommément de tapis, de carreaux de tapis, de revêtements de sol en vinyle, de revêtements de sol en bois dur massif, de revêtements de sol en bois dur d'ingénierie et de revêtements de sol stratifiés.

#### Class 39

(2) Exploitation, pour le compte de tiers, d'une entreprise, spécialisée dans la distribution, notamment la livraison de revêtements de sol notamment de tapis, de carreaux de tapis, de revêtements de sol en vinyle, de revêtements de sol en bois dur massif, de revêtements de sol bois dur d'ingénierie et de revêtements de sol stratifiés.

**Class 40**

(3) Exploitation, pour le compte de tiers, d'une entreprise, spécialisée dans la fabrication de revêtements de sol, notamment de tapis, de carreaux de tapis, de revêtements de sol en vinyle, de revêtements de sol en bois dur massif, de revêtements de sol en bois dur d'ingénierie et de revêtements de sol stratifiés.



**Application Number** 1,867,284  
**Language of Application** French

**Filing Date** 2017-11-09

## APPLICANT AND AGENT DETAILS

### Applicant

BEAULIEU CANADA LTD. / BEAULIEU  
CANADA LTEE  
335 Roxton Blvd.  
Acton Vale  
QUÉBEC  
J0H1A0

### Agent

EDITH JACQUES  
(LAVERY, DE BILLY S.E.N.C.R.L.), SUITE  
4000, 1 PLACE VILLE MARIE, MONTREAL,  
QUÉBEC, H3B4M4

## TRADEMARK DETAILS

### Trademark Type

Design

### Visual Representation



### Goods

#### Class 01

(1) Adhésifs pour revêtements de sol.

#### Class 08

(2) Outils pour l'installation de tapis, nommément rouleaux, outils de coupe, couteaux.

#### Class 17

(3) Ruban pour joints de tapis; pièces de fixation de tapis, nommément pièces de renfort de tapis, nommément bandes adhésives pour joindre le tapis.

#### Class 19

(4) Revêtements de sol en bois dur massif; revêtements de sol en bois dur d'ingénierie; revêtements de sol stratifiés; revêtements de sol en vinyle; plinthes et garnitures.

#### Class 24

(5) Couvre-sièges de toilette en tissu; housses pour réservoir de toilette en tissu.

#### Class 27

(6) Revêtements de sol, nommément revêtements de sol en vinyle; tapis, carreaux de tapis, tapis, nommément carpettes, moquettes, thibaude, accessoires en tapis de bain, nommément tapis contour pour toilettes, tapis de bain et carpettes; revêtements de sol en tissu.

### Services

#### Class 35

(1) Exploitation, pour le compte de tiers, d'une entreprise spécialisée dans le marketing et la vente de revêtements de sol, nommément de tapis, de carreaux de tapis, de revêtements de sol en vinyle, de revêtements de sol en bois dur massif, de revêtements de sol en bois dur d'ingénierie et de revêtements de sol stratifiés.

### **Class 39**

(2) Exploitation, pour le compte de tiers, d'une entreprise, spécialisée dans la distribution, nommément la livraison de revêtements de sol nommément de tapis, de carreaux de tapis, de revêtements de sol en vinyle, de revêtements de sol en bois dur massif, de revêtements de sol en bois dur d'ingénierie et de revêtements de sol stratifiés.

### **Class 40**

(3) Exploitation, pour le compte de tiers, d'une entreprise, spécialisée dans la fabrication de revêtements de sol, nommément de tapis, de carreaux de tapis, de revêtements de sol en vinyle, de revêtements de sol en bois dur massif, de revêtements de sol en bois dur d'ingénierie et de revêtements de sol stratifiés.

**Application Number** 1,867,341  
**Language of Application** English

**Filing Date** 2017-11-10

## APPLICANT AND AGENT DETAILS

### Applicant

Barrette Outdoor Living, Inc.  
7830 Freeway Circle  
Middleburg Heights, OH 44130  
UNITED STATES OF AMERICA

### Agent

CHRISTOPHER C. HALE  
(Chris Hale IP Law), 79 Thursfield Cres.,  
Toronto, ONTARIO, M4G2N4

## TRADEMARK DETAILS

# WHERE DURABILITY MEETS DESIGN

### Trademark Type

Standard Characters

### Goods

#### Class 06

(1) Metal gates and fencing; metal wire fencing

#### Class 19

(2) Wood lattice for fences and gates

(3) Plastic lattice for fences and gates

### Claims

Priority Filing Date: May 11, 2017, Country or Office: UNITED STATES OF AMERICA, Application No: 87/445,982 in association with the same kind of goods; November 05, 2017, Country or Office: UNITED STATES OF AMERICA, Application No: 87/445,982 in association with the same kind of goods (2)

**Application Number** 1,868,095  
**Language of Application** French

**Filing Date** 2017-11-15

## APPLICANT AND AGENT DETAILS

### Applicant

BIOTHERM  
Roc Fleuri, 1, rue du Ténao  
MC-98000 MONACO  
MONACO

### Agent

LAVERY, DE BILLY, LLP  
1 Place Ville Marie, Suite 4000, Montréal,  
QUÉBEC, H3B4M4

## TRADEMARK DETAILS

# WONDER MASK

### Trademark Type

Word

### Goods

#### Class 03

Hair care preparations.

**Application Number** 1,868,224  
**Language of Application** English

**Filing Date** 2017-11-16

## APPLICANT AND AGENT DETAILS

### Applicant

The Cartoon Network, Inc.  
1050 Techwood Drive, NW  
Atlanta, GA 30318  
UNITED STATES OF AMERICA

### Agent

BERESKIN & PARR LLP/S.E.N.C.R.L., S.R.L.  
SCOTIA PLAZA, 40 KING STREET WEST,  
40th FLOOR, TORONTO, ONTARIO, M5H3Y2

## TRADEMARK DETAILS

# VICTOR AND VALENTINO

### Trademark Type

Word

### Goods

#### Class 09

(1) Audio visual recordings featuring films and entertainment programs in the field of comedy, action and adventure; musical sound recordings featuring comedy, action and adventure; portable audio speakers, headphones, earphones, mouse pads, blank USB flash drives; decorative magnets, digital photo frames; protective helmets for sports, snorkel tubes, swim masks, swim goggles; downloadable audio, video, audiovisual and image files featuring comedy, action and adventure; video game cartridges, video games, downloadable electronic game software, audio visual recordings, namely, pre-recorded DVDs (not containing software) featuring films and television shows in the field of comedy, action and adventure; downloadable electronic books featuring comedy, action and adventure; bags adapted for personal electronic devices, namely cell phones, laptops, tablet computers, digital cameras, digital music players and electronic book readers; protective sleeves, covers and cases for cell phones, laptops, tablet computers, digital cameras, digital music players and electronic book readers; grips, stands and mounts for handheld electronic devices, namely, mobile phones and tablets

#### Class 16

(2) Paper party decorations; children's and young adult books in the field of comedy, action and adventure, comic books; stationery, namely writing paper, envelopes, notebooks, diaries, note cards, greeting cards, trading cards, writing implements; stickers, posters and calendars

#### Class 18

(3) Luggage, luggage tags; all-purpose carrying bags; backpacks, fanny packs, handbags; coin cases, wallets; umbrellas; all of the aforementioned goods are used only in connection with an animated and live-action series as entertainment and educational programming and the characters contained therein

#### Class 25

(4) Clothing, namely, shirts, pants, shorts, hats, footwear, namely athletic shoes, shoes, slippers, and Halloween costumes; all of the aforementioned goods are used only in connection with an animated and liveaction series as entertainment and educational programming and the characters contained therein

**Class 28**

(5) Toys, sporting goods, games and playthings, namely, toy figures and accessories therefor, plush toys, board games, jigsaw puzzles, balloons, card games; electronic handheld game units; balls for games, namely sports balls, basketballs, bowling balls, footballs, soccer balls and playground rubber action balls for games; protective pads for athletic use, namely elbow pads and knee pads; skateboards and flying discs; hand-held electronic games

**Claims**

Priority Filing Date: November 14, 2017, Country or Office: UNITED STATES OF AMERICA, Application No: 87683811 in association with the same kind of goods (1); November 14, 2017, Country or Office: UNITED STATES OF AMERICA, Application No: 87683786 in association with the same kind of goods (2); November 14, 2017, Country or Office: UNITED STATES OF AMERICA, Application No: 87683807 in association with the same kind of goods (5); November 14, 2017, Country or Office: UNITED STATES OF AMERICA, Application No: 87683802 in association with the same kind of goods (4); November 14, 2017, Country or Office: UNITED STATES OF AMERICA, Application No: 87683796 in association with the same kind of goods (3)

**Application Number** 1,868,362  
**Language of Application** English

**Filing Date** 2017-11-16

## APPLICANT AND AGENT DETAILS

### Applicant

RESPIRA THERAPEUTICS, INC.  
5901 Indian School Road NE, #107  
Albuquerque, NM 87110  
UNITED STATES OF AMERICA

### Agent

MCCARTHY TETRAULT LLP  
745 Thurlow Street, Suite 2400, VANCOUVER,  
BRITISH COLUMBIA, V6E0C5

## TRADEMARK DETAILS

# INSPIRED INHALATION INNOVATION

### Trademark Type

Word

### Goods

#### Class 05

(1) portable dry powder inhaler provided filled used for the administration to patients via oral inhalation of therapeutic or diagnostic agents in the form of dry powder aerosols for the treatment or prophylaxis of local lung and systemic diseases of the cardiopulmonary, cardiovascular, endocrine, neuromuscular, orthopedic, and central and peripheral nervous systems, namely, diabetes, hypo-thyroidism, hyper-thyroidism, asthma, chronic obstructive pulmonary disease, emphysema, interstitial lung disease, interstitial pulmonary fibrosis, pulmonary hypertension, cystic fibrosis, fungal infection, bacterial respiratory infection, viral respiratory infection, vaccination for viral and bacterial infections, anaphylactic shock, dyspnea, congestive heart failure, atrial fibrillation, coronary artery disease, hyperlipidemia, anticoagulation, hypertension, Parkinson's disease, Alzheimer's disease, tremor, peripheral pain, central pain, osteoporosis, depression, and sleep disorder

#### Class 10

(2) portable dry powder inhaler provided empty for medicinal or therapeutic purposes, used for the administration to patients via oral inhalation of therapeutic or diagnostic agents

### Claims

Priority Filing Date: June 27, 2017, Country or Office: UNITED STATES OF AMERICA, Application No: 87507852 in association with the same kind of goods

**Application Number** 1,868,550  
**Language of Application** English

**Filing Date** 2017-11-17

## APPLICANT AND AGENT DETAILS

### Applicant

RYU Apparel Inc.  
1672 West 2nd Avenue  
Vancouver  
BRITISH COLUMBIA  
V6J1H4

### Agent

CLARK WILSON LLP  
900 - 885 WEST GEORGIA STREET,  
VANCOUVER, BRITISH COLUMBIA, V6C3H1

## TRADEMARK DETAILS

# RYU

### Trademark Type

Standard Characters

### Goods

#### Class 14

(1) Key chains

#### Class 18

(2) Wallets; backpacks; all-purpose carrying bags; carryalls; sling bags; cinch bags; umbrellas

#### Class 21

(3) Water bottles (sold empty)

#### Class 25

(4) Shorts; T-shirts; jackets; hats; caps; sweatshirts; long-sleeve T-shirts; undergarments; leggings; tank tops; capris; socks; pants; athletic bras; headbands; dresses; scarves

#### Class 26

(5) Hair accessories

#### Class 27

(6) Sports equipment, namely training mats

#### Class 28

(7) Sports equipment, namely body rollers

### Services

#### Class 35

Online retail sale services featuring clothing and clothing accessories namely headbands, hats, caps, belts, scarves, mittens, gloves, socks, bandanas, arm warmers, leg warmers, leggings, beachwear, and compression shorts for athletic use, bags; retail store services featuring clothing and clothing accessories namely headbands, hats, caps, belts, scarves, mittens, gloves, socks, bandanas, arm warmers, leg warmers, leggings, beachwear, and compression shorts for athletic use, bags, water bottles (sold empty); retail store services featuring umbrellas, sports equipment; retail sale of key chains and wallets



**Application Number** 1,870,062  
**Language of Application** English

**Filing Date** 2017-11-28

## APPLICANT AND AGENT DETAILS

### Applicant

Peter Tertzakian  
100 Cullen Creek Estates  
Calgary  
ALBERTA  
T3Z3K8

### Agent

STIKEMAN ELLIOTT LLP  
SUITE 1600, 50 O'CONNOR STREET,  
OTTAWA, ONTARIO, K1P6L2

## TRADEMARK DETAILS

# ENERGYPHILE

### Trademark Type

Word

### Goods

#### Class 09

(1) Downloadable electronic publications, namely stories, question-and-answer sheets and guides for discussion facilitators, downloadable e-books, downloadable information and fact sheets, namely object vignettes, question-and-answer sheets and guides for discussion facilitators, and audio books, all on the subjects of energy, namely oil, gas, coal, nuclear energy, hydro-electric energy and renewable energy and their historical cycles, their relevance to the contemporary environment, and the science and technology associated with them; applications for computers and mobile phones in the form of downloadable electronic games, pre-recorded digital voice and musical recordings and interactive digital video movies, stories, podcasts and blog posts, all on the subjects of energy, namely oil, gas, coal, nuclear energy, hydro-electric energy and renewable energy and their historical cycles, their relevance to the contemporary environment, and the science and technology associated with them

#### Class 14

(2) Pins, namely jewelry and ornamental pins, and metal key chains

#### Class 16

(3) Printed matter and publications, all on the subjects of energy, namely oil, gas, coal, nuclear energy, hydro-electric energy and renewable energy and their historical cycles, their relevance to the contemporary environment, and the science and technology associated with them, namely journals, books, newsletters and brochures; printed calendars, decals, stickers, pens, maps and greeting cards; artworks, namely prints, photographs and reproductions of archival prints, photographs, books, pamphlets and postcards, trading cards, posters and post cards

#### Class 18

(4) Umbrellas, tote bags, luggage, back packs

#### Class 21

(5) Drinking mugs, cups, drinking glasses, drinking flasks and water bottles

#### Class 25

(6) Clothing for men, women and children, namely T-shirts, shirts, neck ties, sweatshirts, jackets and hats

## **Services**

### **Class 35**

(1) Business consultation services, namely organizing and conducting presentations, facilitating discussions and consulting in the areas of strategy, investment and operations in energy, namely oil, gas, coal, nuclear energy, hydro-electric energy and renewable energy and their historical cycles, their relevance to the contemporary environment, and the science and technology associated with them

### **Class 41**

(2) Educational services, namely conducting seminars, workshops and discussion groups advancing public interest in and awareness of energy, all on the subjects of energy, namely oil, gas, coal, nuclear energy, hydro-electric energy and renewable energy and their historical cycles, their relevance to the contemporary environment, and the science and technology associated with them; providing information via a website on the subjects of energy, namely oil, gas, coal, nuclear energy, hydro-electric energy and renewable energy and their historical cycles, their relevance to the contemporary environment, and the science and technology associated with them; developing, organizing and conducting presentations, conferences, exhibitions, workshops, meetings, outreach programs, namely conducting workshops, meetings and conferences and the operation of a virtual museum and courses of instruction, all on the subjects of energy, namely oil, gas, coal, nuclear energy, hydro-electric energy and renewable energy and their historical cycles, their relevance to the contemporary environment, and the science and technology associated with them; publishing and on-line electronic publishing services, namely production of books, booklets, pamphlets, periodical reviews, text books, fact sheets and circulars; production of digital video movies and digital audio voice and music recordings to be distributed online, on social media platforms and on a website for educational purposes and training and providing information, all on the subjects of energy, namely oil, gas, coal, nuclear energy, hydroelectric energy and renewable energy and their historical cycles, their relevance to the contemporary environment, and the science and technology associated with them

### **Class 42**

(3) Advisory and consulting services, namely consulting in the fields of energy, namely oil, gas, coal, nuclear energy, hydro-electric energy and renewable energy and their historical cycles, their relevance to the contemporary environment, and the science and technology associated with them

**Application Number** 1,870,528  
**Language of Application** English

**Filing Date** 2017-11-30

## APPLICANT AND AGENT DETAILS

### Applicant

Dun & Bradstreet International, Ltd.  
103 JFK Parkway  
Short Hills, NJ 07078  
UNITED STATES OF AMERICA

### Agent

SPRIGINGS INTELLECTUAL PROPERTY  
LAW  
148 Norseman Street, Toronto, ONTARIO,  
M8Z2R4

## TRADEMARK DETAILS

# M-DaaS

### Trademark Type

Word

### Services

#### Class 38

Electronic transmission and delivery of business structure, business transaction, customer relationship, and product data relating to customers, vendors, business partners and products of others via the Internet and an application process program interface for allowing business structure, business transaction, customer relationship, and product data relating to customers, vendors, business partners and products of others to be retrieved, uploaded, accessed, integrated, analyzed and managed.

**Application Number** 1,870,591  
**Language of Application** English

**Filing Date** 2017-11-30

## APPLICANT AND AGENT DETAILS

### Applicant

Hexaware Technologies Limited  
152, Millennium Business Park, Section-III  
A Block, TTC Industrial Area  
Mahape, Navi Mumbai-400710  
INDIA

### Agent

MOFFAT & CO.  
P.O. Box 2088, Station D, Ottawa, ONTARIO,  
K1P5W3

## TRADEMARK DETAILS

### Trademark Type

Design

### Visual Representation



## Services

### Class 35

(1) Providing human resource, payroll, insurance, web-development outsourcing services and translation services to entities involved in the fields of healthcare, human resources, finance and accounting, travel, transportation, hospitality and logistics; human resources services, namely, employee recruiting, placement, human resources management, human resources consultation; compilation and systematization of information into computer databases; data search in computer files for others, namely, providing an on-line searchable database featuring business information and business contacts; computerized file management; consulting regarding business process outsourcing services; business management; business management assistance, namely, the provision of managed services; business administration; business data analysis in the nature of business intelligence testing, user acceptance testing, customer experience testing; professional business consultancy in the field of enterprise solutions, namely, business consulting in the field of organization strategy, organization processes, organization operations, and computer systems; strategic business analysis; business investigations; relocation services for businesses; accounting services; bookkeeping; pay-roll preparation; business auditing; invoicing; word processing; document reproduction; secretarial services; telephone answering for unavailable subscribers;

personnel management consultancy; personnel recruitment; administrative processing of purchase orders; procuring of contracts for the purchase and sale of goods and provision of services of others; purchasing office stationery, office furniture, software and hardware for other businesses; procuring of contracts for the purchase of telecommunications for others

### **Class 42**

(2) Scientific and technological services, namely research and design in the field of software application design and development; technical support in the form of monitoring global computer network systems; computer networking hardware design and development; computer datacenter architecture design and development; cloud architecture consulting; cloud migration services; information technology consulting services in the areas of computer infrastructure, computing, software, computer platforms, application programming interfaces, networks, data storage, data synchronization, databases, analytics, content management, content delivery, process automation, information security, robotics, artificial intelligence, computer software design, computer programming; scientific research and technological consulting and analysis in the following fields namely cloud applications, API and integration, application managed services, modern data architecture, enterprise data management, advanced and managed analytics, data visualization, connectivity of IOT (Internet of Things) devices, intelligent process automation, translation, revenue cycle management, autonomous testing, Internet bots and AI testing, cloud quality assurance, data centric testing, test automation, managed testing, performance engineering, usability testing, business process management, E-business suite services, platform engineering, all of these related to computer network hardware and software, in the industries of travel and transportation of passengers and freight, hospitality, retail, supply chain logistics, airlines, healthcare, banking and financial services and insurance; scientific research and technological consulting and analysis in the following fields namely trouble shooting and monitoring of software, hardware and global computer network systems, in the industries of travel and transportation of passengers and freight, hospitality, retail, supply chain logistics, airlines, healthcare, banking and financial services and insurance; scientific research and technological consulting and analysis in the field of computer software testing, computer software design, computer programming, open source testing, product testing, performance engineering; design and development of computer hardware and software; cloud computing provider services for general storage of data; server hosting provider services; software as a service (SAAS) namely, computer software application development, computer software application re-engineering, computer software application maintenance, computer software application integration, and computer software application management; information technology consulting in the fields of computer information processing, computer programming and maintenance of computer programs and computer applications; computer consultation, namely, management and implementation of enterprise solutions, namely, computer network design, computer systems analysis and integration, website design, and computer hardware and software installation and maintenance, which assist with an organization's strategy, processes, operations and information technology systems; design, consultancy, rental, installation, maintenance and updating of computer software

**Application Number** 1,870,664  
**Language of Application** English

**Filing Date** 2017-11-30

## APPLICANT AND AGENT DETAILS

### Applicant

The Cartoon Network, Inc.  
1050 Techwood Drive, NW  
Atlanta, GA 30318  
UNITED STATES OF AMERICA

### Agent

BERESKIN & PARR LLP/S.E.N.C.R.L., S.R.L.  
SCOTIA PLAZA, 40 KING STREET WEST,  
40th FLOOR, TORONTO, ONTARIO, M5H3Y2

## TRADEMARK DETAILS

# INFINITY TRAIN

### Trademark Type

Word

### Goods

#### Class 09

(1) Audio visual recordings featuring films and entertainment programs in the field of comedy, action and adventure; musical sound recordings featuring comedy, action and adventure; mouse pads, blank USB flash drives; decorative magnets, digital photo frames; protective helmets for sports, snorkel tubes, swim masks, swim goggles; eyeglasses, sunglasses, frames and cases therefor; downloadable audio, video, audiovisual and image files featuring comedy, action and adventure; video game cartridges, video games, downloadable electronic game software, audio visual recordings, namely, pre-recorded DVDs (not containing software) featuring films and television shows in the field of comedy, action and adventure; downloadable electronic books featuring comedy, action and adventure; bags adapted for personal electronic devices, namely cell phones, laptops, tablet computers, digital cameras, digital music players and electronic book readers; protective sleeves, covers and cases for cell phones, laptops, tablet computers, digital cameras, digital music players and electronic book readers; grips, stands and mounts for handheld electronic devices, namely, mobile phones and tablets

#### Class 16

(2) Paper party decorations; children's and young adult books in the field of comedy, action and adventure, comic books; stationery, namely writing paper, envelopes, notebooks, diaries, note cards, greeting cards, trading cards, writing implements; stickers, posters and calendars

#### Class 18

(3) Luggage, luggage tags; all-purpose carrying bags; backpacks, fanny packs, handbags; coin cases, wallets; umbrellas

#### Class 25

(4) Clothing, namely, shirts, pants, shorts, hats, footwear, namely athletic shoes, shoes, slippers, and Halloween costumes

#### Class 28

(5) Toys, sporting goods, games and playthings, namely, toy figures and accessories therefor, plush toys, board games, jigsaw puzzles, balloons, card games; electronic handheld game units;

balls for games, namely sports balls, basketballs, bowling balls, footballs, soccer balls and playground rubber action balls for games; protective pads for athletic use, namely elbow pads and knee pads; skateboards and flying discs; hand-held electronic games

**Claims**

Priority Filing Date: November 30, 2017, Country or Office: UNITED STATES OF AMERICA, Application No: 87702875 in association with the same kind of goods (1); November 30, 2017, Country or Office: UNITED STATES OF AMERICA, Application No: 87702878 in association with the same kind of goods (2); November 30, 2017, Country or Office: UNITED STATES OF AMERICA, Application No: 87702888 in association with the same kind of goods (5); November 30, 2017, Country or Office: UNITED STATES OF AMERICA, Application No: 87702885 in association with the same kind of goods (4); November 30, 2017, Country or Office: UNITED STATES OF AMERICA, Application No: 87702881 in association with the same kind of goods (3)

**Application Number** 1,870,838  
**Language of Application** English

**Filing Date** 2017-12-01

## **APPLICANT AND AGENT DETAILS**

### **Applicant**

Exxon Mobil Corporation  
5959 Las Colinas Boulevard  
Irving, TX 75039-2298  
UNITED STATES OF AMERICA

### **Agent**

RIDOUT & MAYBEE LLP  
11 Holland Avenue, Suite 601 , Ottawa,  
ONTARIO, K1Y4S1

## **TRADEMARK DETAILS**

# **MOBIL HERO**

### **Trademark Type**

Standard Characters

### **Services**

#### **Class 35**

providing incentive award programs for purchasers of petroleum products, namely applicant's lubricants, for the purpose of promoting and rewarding loyalty



**Application Number** 1,871,295  
**Language of Application** English

**Filing Date** 2017-12-05

## APPLICANT AND AGENT DETAILS

### Applicant

Classic Global Ltd o/a Maxdura Battery  
8-140 McLevin Ave  
Scarborough  
ONTARIO  
M1B3V1

### Agent

JULIE MACDONELL  
(The Trademark Shop), 315 King Street East,  
Hamilton, ONTARIO, L8N1C2

## TRADEMARK DETAILS

# MAXDURA BATTERY

### Trademark Type

Word

### Goods

#### Class 09

Electric storage batteries for use in the telecommunications industry, train batteries, forklift batteries, electric storage batteries, electric storage batteries for use in data centers; electric storage batteries for industrial use, namely, lead-acid batteries, lead-carbon batteries, deep cycle batteries, uninterruptible power supply (UPS) batteries, high-temperature batteries, solar batteries, wind and solar energy storage batteries, batteries for renewable energy storage, batteries for container-type and portable energy storage.

### Services

#### Class 37

(1) Installation, maintenance, and repair of electric storage batteries.

#### Class 40

(2) Battery recycling.

**Application Number** 1,871,533  
**Language of Application** English

**Filing Date** 2017-12-06

## APPLICANT AND AGENT DETAILS

### Applicant

LIDL STIFTUNG & CO. KG  
Stiftsbergstr. 1  
74172 Neckarsulm  
GERMANY

### Agent

ROBIC  
630, boul. René-Lévesque Ouest, 20e étage,  
Montréal, QUEBEC, H3B1S6

## TRADEMARK DETAILS

# SILVERCREST

### Trademark Type

Standard Characters

### Goods

#### Class 07

(1) Electric apparatus for kitchen and household purposes, namely electric food processors; Food processors; Food mixers; Electric food choppers; Electric Kitchen machines for food preparation, other than cooking, namely electric food processors for domestic use, electric food choppers, electric food processors, electric babies' food processors; Electric kitchen appliances for chopping, mixing, pressing, namely electric food choppers, food mixers, electrical squeezers for fruit and vegetables; Kneading machines; Electric egg beaters; Food processing agitators; Juice extracting machines; Electric machines for grinding, namely electric meat grinders, electrical coffee grinders; Machines and apparatus for preparing beverages and foods, namely juice extractors, electric food blenders, electric food choppers; Sewing machines; Packing machines; Packaging machines for food; Foil-sealing machines for industrial packaging; Dishwashers; Dishdrying machines; Washing machines; Kitchen tools, namely electric can openers; Electrically operated brushes for vacuum cleaners; Blowing machines, namely snow blowers, power blowers for lawn debris; Pumps, namely swimming pool pumps, vacuum pumps; Electric knife sharpeners; Electric brooms; Sweeping and cleaning machines, namely electric carpet sweepers, floor cleaning machines; Electric cleaning apparatus for household use, namely electric vacuum cleaners; Steam cleaning machines; Vacuum cleaners; Ultrasonic cleaners for jewelry and hand tools; Vacuum packaging machines; Coffee grinders, other than handoperated; Electric milk frothers; Automatic vending machines.

#### Class 08

(2) Hand tools and implements, namely manicure and pedicure implements; Razors; Electric shavers; Nonelectric razors; Hair clippers for personal use, electric and non-electric; Non-electric hair clippers; Hair trimmers; Hand-operated clippers (machines); Depilation appliances; Electric hair straighteners; Electric hair straightening irons; Electric hair curling irons; Manicure sets; Manicure and pedicure tools; Nail files; Nail scissors; Nail nippers; Nail clippers; Nail files, electric; Flat irons; Electric steam irons; Knife sharpeners.

#### Class 09

(3) Surveying, photographic, cinematographic, optical, weighing, measuring, signalling, checking (supervision) and life-saving apparatus and instruments, namely cameras, kitchen scales, bathroom scales, letter scales; Apparatus and instruments for conducting, switching, transforming, accumulating, regulating or controlling electricity, namely electricity conduits, power switches, electric power generators, electrical power connectors, power transformers; Apparatus for recording, transmission or reproduction of sound or images, namely radios, audio cassette recorders and players, compact disc players, television sets, video tape recorders and players; Magnetic data media, namely blank audio and video tapes, CD-ROMs, CDs and DVDs; Mechanisms for coin-operated television sets and vending machines; Calculators; Pocket calculators; Data processing apparatus, namely card punching and sorting machines, printers, plotters, scanners, Computers; Laptop computers; Tablet computers; Computer accessories, namely Keyboards, Computer mice; Memory media, namely computer memory cards, namely flash memory cards, random access memory cards, secure digital (SD) memory cards; digital camera memory cards; Store fidelity cards; prerecorded CDs and DVDs containing music and movies; blank CDs and DVDs; Audio apparatus, namely sound amplifiers, sound mixers, CD players, record players; Digital audio players; Digital audio recorders; High fidelity audio apparatus, namely audio amplifiers, audio mixers, audio speakers and parts and fittings thereof; Acoustic couplers; radio frequency repeaters; Sound amplifiers; Radios; Car radios; Horns for loudspeakers; Loudspeakers; Loudspeakers with built-in amplifiers; Loudspeakers integrated into clothing; Microphones; MP3 players; MP4 players; Playing devices for sound and image carriers, namely DVD players, video tape players; Portable media players, namely MP3 players, MP4 players; digital music players; Stereo tuners; Headphones; Wireless headphones; In-ear headphones; Telephone headsets; Headsets for mobile telephones; Wireless headsets; Virtual reality headsets; Audiovisual apparatus, namely audio and video mixing desks, audio-video receivers; Information technology and audiovisual equipment, namely applications for mobile phones for tracking physical activity and nutrition; Television sets; Digital televisions; LCD monitors; Plasma televisions; Television receivers; Readers, namely bar code readers, e-book reader, flash card readers, magnetic encoded card readers; Beamers, namely cine projectors, photographic projectors; Cinematographic apparatus, namely cinematographic projectors, cinematographic cameras; Camcorders; Camcorders; Video devices, namely video monitors, video receivers; Digital video recorders; Digital recording media, namely blank audio and video discs, blank audio and video cassettes; Digital telecommunications apparatus, namely modems, computers, smart phones; Digital video players; DVD players; DVD recorders; Video players; Video recorders; Combined video, audio and data reproduction and recording apparatus, namely audio-video disc recorders; Digital set-top boxes, namely electrical connection boxes; Digital transmitters, namely GPS transmitters, video transmitters; Satellite broadcasting instruments, namely satellite transmitters; Satellite receivers; Satellite communication apparatus, namely satellite antennas, satellite dishes; Satellite transmitters; Receiving antennas for satellite broadcast; Cameras; Digital cameras; Camera casings; Photocopiers; Electrical cables; Audio /video cables for the transmission of sounds and images; Data transmission cables; Cables for optical signal transmission; USB cables; Condensers, namely capacitors, circuit breakers; Bar code readers; Electric energy cost-measuring apparatus, namely electricity meters; USB gadgets, namely USB chargers, USB cables; USB storage media, namely blank USB flash drives; USB chargers; USB card readers; USB adapters; Telephones; Telephones; Cordless telephones; Digital phones; Internet phones; Cell phones; Telephone receivers; Teletypewriters; Facsimile machines; Image scanners; Multifunctional printers with printing, scanning and fax functions; Transmitters, namely radio transmitters, television transmitters, video transmitters; Scales, namely bathroom scales, letter scales; Covers for smartphones; Cases for smartphones; Frames for smartphones; Holders adapted for mobile phones; smartphone mounts; Protective films adapted

for smartphones; Wireless local area network devices, namely LAN (local area network) operating software; Remote controls for radios, stereos and televisions; Covers for tablet computers; Cases adapted for computers; Wall mountings adapted for television monitors; Selfie sticks [hand-held monopods]; Antennas, namely car antennas, cell phone antennas, parabolic antennas, radio antennas, satellite antennas; Plugs, sockets and other contacts, namely electric plugs, electric sockets; Apparatus and instruments for controlling electric devices, namely computers and smart phones; Global Positioning System [GPS] apparatus, namely GPS transmitters and receivers; Optical spectacles; Spectacles with integrated camcorders; Virtual reality glasses; Holders for virtual reality spectacles; Stands for photographic apparatus; Camera tripods; Instrumentation simulators, namely TV simulators; Smartwatches; Network controlling apparatus, namely computer network adaptors, routers and servers; Electronic pens; Battery chargers for cell phones, cameras, computers and tablets; Hands free kits for phones; Hands-free kits for cell phones; Plug adaptors; Electrical adapters; Objectives, namely camera lenses; Temperature controlling apparatus, namely thermostats; Time switches, automatic; Thermometers, not for medical purposes, namely room thermometers, outdoor thermometers; Digital thermometers, other than for medical purposes, namely room thermometers, outdoor thermometers; Motion sensor; Digitisers, namely digital cameras, digital tablets, barcode scanners; Electrical distributors, namely electrical distribution boxes; Shutter releases for cameras; Electric door bells; Karaoke equipment; Radio alarm clocks; Radios incorporating clocks; Radio apparatus and instruments, namely radio antennas, radio receivers, radio transmitters, radio relay cables; Radio operated door lock controls; Card reading equipment; Adapters for connection between media devices, namely electric adapter cables; Parts and fittings for audio and video receivers and transmitters; Baby monitors; Power banks, namely battery chargers for laptop computers.

#### **Class 10**

(4) Medical apparatus and instruments, namely medical lamps, medical electrodes, medical thermometers, hypodermic syringes, catheters, stethoscopes; Sphygmomanometers; Pulse oximeters; Vibrator massagers, Foot massagers, Esthetic massage apparatus, namely facial massagers, all the aforesaid goods not including those for sexual activities, sexual health or sexual wellbeing.

#### **Class 11**

(5) Apparatus for lighting, heating, steam generating, cooking, refrigerating, drying, ventilating, water supply, namely portable electric heaters, domestic furnaces, steam generators, electric and gas stoves, electric heaters for baby bottles, heat pumps, air conditioning units for domestic use, facial saunas, electrically heated hot pots, electric coffee makers for domestic use, electric refrigerators, freezers, hand held hair dryers; Food steamers, electric; Electric steaming apparatus for cooking, namely steam cookers; Hair driers [dryers]; Electric blankets; Electric heating pads, not for medical purposes; Microwave oven; Deep fat fryers; Electric sandwich makers; Roasting apparatus, namely coffee roasters, fruit roasters; Cooking appliances, namely ovens, cooking grills, electric cooktops, electric rice cookers; Electric broiling pans; Electric kitchen utensils for cooking, roasting and baking; Electric toasters; Waffle irons; Electric coffee brewers; Machines and apparatus for making hot beverages, namely electric coffee machines, electric tea pots, electric kettles; Clothes dryers; Ventilating fans; Portable foot baths; Electric fires; Domestic heating utensils, namely patio heaters; Water conditioning units; Apparatus for filtering drinking water, namely water filtering units for domestic use; Lighting installations, namely lighting fixtures; Luminaires; Desk lamps; Computer controlled lighting apparatus, namely light diffusers; Electric

yoghurt makers; Popcorn makers; Chocolate fountains, electric; Machines for making cotton candy; Sauna apparatus, namely sauna baths, sauna stoves; Infrared lamps; Hotplates; Baby bottle warmers; Water heaters; Hot water bottles; Electric hot-water bottles; Electric hotplates.

**Class 12**

(6) Pumps for inflating vehicle tyres and boats; Pumps for bicycles, cycles.

**Class 16**

(7) Paper shredders for office use; Plastic film for household purposes, plastic film for cooking.

**Class 21**

(8) Household or kitchen utensils and containers, namely beverage containers, food storage containers, cooking utensils; Hand-operated coffee grinders; non-electric milk frothers; Corkscrews, electric and nonelectric; Soap dispensers; Electric combs; Brushes (except paintbrushes), namely cake brushes, cosmetic brushes, hair brushes; Brushes for personal hygiene, namely toothbrushes, nail brushes, brushes for washing up; Hairbrushes; Skin cleansing brushes; Sonic oscillating brushes for skincare; Electrically heated hair brushes; Cosmetic brushes; Electric make-up removing appliances, namely electric make-up removing brushes; Electric apparatus for applying make-up, namely electric make-up brushes; Toothbrushes; Toothbrushes, electric; Cosmetic utensils; Air fragrancing apparatus, namely perfume sprayers; Mugs; Plates.

**Class 25**

(9) Headgear, namely hats, caps, berets, bandannas; Headgear, namely hats and caps with integrated loudspeakers.

**Class 26**

(10) Electric hair rollers.

**Class 28**

(11) Toys, namely action figure toys, bath toys, beach toys, construction toys, plush toys, ride-on toys; Electronic toys, namely radio-controlled toy airplanes, cars and helicopters; Toy household apparatus, namely toy bakeware and cookware, toy dishware, toy cutlery.

**Claims**

Priority Filing Date: June 09, 2017, Country or Office: EUIPO (EU), Application No: 16827909 in association with the same kind of goods

**Application Number** 1,871,595  
**Language of Application** English

**Filing Date** 2017-12-06

## APPLICANT AND AGENT DETAILS

### Applicant

3 Leaf Toys Inc.  
6311-52 Street  
POB 594  
Rimbey  
ALBERTA  
T0C2J0

### Agent

ROBERT D. MCDONALD  
BENNETT JONES LLP, 3200 TELUS HOUSE,  
SOUTH TOWER, 10020-100TH STREET,  
EDMONTON, ALBERTA, T5J0N3

## TRADEMARK DETAILS

### Trademark Type

Design

### Visual Representation



### Goods

#### Class 20

(1) Custom woodworking, namely, step stool, outdoor bench and ramp

#### Class 28

(2) Children's wooden toys namely, stacking blocks, blocks with letters and pictures, sailboats, trains, shape sorters, rocking horses, ride-on toys, wagons, bake shops, baking tray sets with baskets, soldier push toys, hammer and peg board, treasure chests, shape sorting cube, wooden tool set, wooden cooking set, stools, activity tables, natural wooden toys; Wood pull toys, namely animals on wheels with pull string, pull-along wagon with blocks; Wooden educational and creative toys, namely building blocks, hobby horse, paddle boat, pounding block with hammer; wooden puzzles; Wooden novelties, namely hobby horse, pull train, mini animals; Models made of wood, namely, toy models made of wood; Wooden toys sold in kit form; Wooden models sold in kit form, namely, toy models made of wood sold in kit form; Wooden games namely, crokinole, checkers, Chinese checkers, cribbage; Custom woodworking namely, teeter totter, rocking boat.

**Services****Class 35**

(1) Online store services namely on-line retail store services featuring children's wooden toys namely, stacking blocks, blocks with letters and pictures, sailboats, trains, shape sorters, rocking horses, ride-on toys, wagons, bake shops, baking tray sets with baskets, soldier push toys, hammer and peg board, treasure chests, shape sorting cube, wooden tool set, wooden cooking set, stools, activity tables, natural wooden toys, wood pull toys, namely animals on wheels with pull string, pull-along wagon with blocks, wooden educational and creative toys, namely building blocks, hobby horse, paddle boat, pounding block with hammer, wooden puzzles, wooden novelties, namely hobby horse, pull train, mini animals, models made of wood, namely, toy models made of wood, wooden toys sold in kit form, wooden models sold in kit form, namely, toy models made of wood sold in kit form, wooden games namely, crokinole, checkers, Chinese checkers, cribbage, Custom woodworking namely, step stool, teeter totter, rocking boat, outdoor bench and ramp

**Class 42**

(2) Hosting a website for online sale of children's wooden toys, namely stacking blocks, blocks with letters and pictures, sailboats, trains, shape sorters, rocking horses, ride-on toys, wagons, bake shops, baking tray sets with baskets, soldier push toys, hammer and peg board, treasure chests, shape sorting cube, wooden tool set, wooden cooking set, stools, activity tables, natural wooden toys, wood pull toys, namely animals on wheels with pull string, pull-along wagon with blocks, wooden educational and creative toys, namely building blocks, hobby horse, paddle boat, pounding block with hammer, wooden puzzles, wooden novelties, namely hobby horse, pull train, mini animals, models made of wood, namely, toy models made of wood, wooden toys sold in kit form, wooden models sold in kit form, namely toy models made of wood sold in kit form, wooden games namely, crokinole, checkers, Chinese checkers, cribbage, Custom woodworking namely, step stool, teeter totter, rocking boat, outdoor bench and ramp

**Application Number** 1,871,862  
**Language of Application** English

**Filing Date** 2017-12-07

## APPLICANT AND AGENT DETAILS

### Applicant

Franklin Templeton Investments Corp.  
200 King Street West  
Suite 1400  
Toronto  
ONTARIO  
M5H3T4

### Agent

BERESKIN & PARR LLP/S.E.N.C.R.L., S.R.L.  
SCOTIA PLAZA, 40 KING STREET WEST,  
40th FLOOR, TORONTO, ONTARIO, M5H3Y2

## TRADEMARK DETAILS

# WISEZ PLUS HAUT

### Trademark Type

Standard Characters

### Authorisation For Use

Consent from Concordia University is of record.

### Services

#### Class 36

Advice relating to investments; financial analysis consultation services, financial analysis services, financial investment analysis and stock research services, financial services, namely, investment advice, investment management, investment consultation and investment of funds for others, including private and public equity and debt investment services; financial services, namely, investment fund transfer and transaction services; funds investment; investment advisory services; investment consultation; investment management; investment of funds for others; transfer agency services rendered to issuers of investment securities; financial portfolio analysis services; financial portfolio management; financial services, namely, a total portfolio offering for high net worth clients consisting of both separate accounts and mutual funds for equity and fixed income investments; management of portfolios comprising securities; management of portfolios of transferable securities; mutual fund advisory services; mutual fund analysis services.



**Application Number** 1,872,893  
**Language of Application** English

**Filing Date** 2017-12-13

## APPLICANT AND AGENT DETAILS

### Applicant

Visionflex Pty Ltd  
Unit 1  
8 Prosperity Parade  
Warriewood, NSW 2102  
AUSTRALIA

### Agent

BENOÎT & CÔTÉ INC.  
560 boul. Crémazie Est, 3e étage, Montréal,  
QUEBEC, H2P1E8

## TRADEMARK DETAILS

# GEIS

### Trademark Type

Word

### Goods

#### Class 10

Medical imaging apparatus consisting of cameras for telehealth applications adapted for examinations in dermatology and for examinations of the mouth and throat.

**Application Number** 1,873,087  
**Language of Application** French

**Filing Date** 2017-12-14

## APPLICANT AND AGENT DETAILS

### Applicant

CONNECTED CYCLE, société de droit français  
4 rue Claude Farrère  
75016 PARIS  
FRANCE

### Agent

LAVERY, DE BILLY, LLP  
1 Place Ville Marie, Suite 4000, Montréal,  
QUÉBEC, H3B4M4

## TRADEMARK DETAILS

### Trademark Type

Design

### Visual Representation



### Colour Claim

Colour is claimed as a feature of the trademark. All elements of the mark are purple.

### Goods

#### Class 09

Equipment for data processing, namely data processing hardware, and computers; recorded program software, namely geolocation and speedometer software for people, domestic animals, bicycles, scooters, travel bags, suitcases, industrial containers and packaging, mobile medical apparatus, luggage carts and other mobile airport equipment, namely handling carts, carts for storing and moving goods intended to be used and sold in airplanes, chairs for individuals with reduced mobility, wheelchairs, key holders, eyeglasses, baby strollers and portable computers; electronic devices for locating people, domestic animals, bicycles, scooters, handbags, travel bags, suitcases, industrial containers and packaging, mobile medical apparatus, luggage carts and other mobile airport equipment, namely handling carts, carts for storing and moving goods intended to be used and sold in airplanes, chairs for individuals with reduced mobility, wheelchairs, key holders, eyeglasses, baby strollers and portable computers, namely receivers and transmitters for global positioning systems (GPSs); computer software, namely smart telephone applications, namely downloadable smart phone applications with geolocation and speedometer features for people, domestic animals, bicycles, scooters, handbags, travel bags, suitcases, industrial containers and packaging, mobile medical apparatus, luggage carts and other mobile airport equipment, namely handling carts, carts for storing and moving goods intended to be used and

sold in airplanes, chairs for individuals with reduced mobility, wheelchairs, key holders, eyeglasses, baby strollers and portable computers.

## **Services**

### **Class 45**

Security services for the protection of goods and people; theft detection services for domestic animals, bicycles, scooters, handbags, travel bags, suitcases, industrial containers and packaging, mobile medical apparatus, luggage carts and other mobile airport equipment, namely handling carts, carts for storing and moving goods intended to be used and sold in airplanes, chairs for individuals with reduced mobility, wheelchairs, key holders, eyeglasses, baby strollers and portable computers, namely burglar alarm monitoring services, security alarm monitoring.

**Application Number** 1,873,244  
**Language of Application** English

**Filing Date** 2017-12-14

## APPLICANT AND AGENT DETAILS

### Applicant

Sustainable Forestry Initiative, Inc.  
2121 K Street NW  
Suite 750  
Washington, DC 20037  
UNITED STATES OF AMERICA

### Agent

OSLER, HOSKIN & HARCOURT LLP  
SUITE 6200, P.O. BOX 50, 1 FIRST  
CANADIAN PLACE, TORONTO, ONTARIO,  
M5X1B8

## CERTIFICATION MARK DETAILS

# SUSTAINABLE FORESTRY INITIATIVE

### Trademark Type

Word

### Certification Mark Standard

The certification mark, as used or intended to be used by persons authorized by the certifier, certifies or is intended to certify that the goods and/or services provided have been manufactured from the products of sustainably managed forests and/or are comprised of materials that have been responsibly harvested and sourced and/or that forestlands have been sustainably managed and that manufacturing facilities meet certain sourcing and chain of custody standards. The certification mark, when affixed to the goods or services provided, shall indicate to the purchaser that the goods or services have met the standards set by Sustainable Forestry Initiative, Inc. (SFI) for its Forest Management Standard, Fiber Sourcing Standard and/or Chain-of-Custody Standard (the SFI Standards). Participants in the SFI Standards are required to enter into a royalty-free licensing agreement with SFI. The goods and services consist of wood and wood products, wood fiber materials, management of sustainable forests, supply chain management of wood and paper products and manufacturing of wood and paper products. In order for the certification mark to be affixed to the goods and/or services provided, they must meet the following defined standard(s): (1) Forest Management Standard promotes responsible forestry practices and its requirements include measures to protect water quality, biodiversity, wildlife habitat, species at risk and forests with exceptional conservation value (2) fiber sourcing certification goes beyond certified forests to address the 90 percent of the world's forests that are not certified. Program Participants must show that the raw material in their supply chain comes from legal and responsible sources, whether the forests are certified or not. Primary producers are certified to the SFI 2015-2019 Fiber Sourcing Standard (Section 3, SFI 2015-2019 Standards and Rules). Primary or secondary producers who want to use the certified sourcing label must be certified to Appendix 1 (Rules for Use of SFI Certified Sourcing Label). (3) Chain-of-Custody Standard is an accounting system that tracks forest fiber content (certified forest content, certified sourcing and recycled content) through production and manufacturing to the end product. Companies can use chain of custody certification to track and communicate forest fiber content using one of three optional approaches for chain of custody: physical separation, average percentage and volume credit method. Program Participants are certified to the SFI 2015-2019 Chain-of-Custody Standard (Section 4, SFI 2015-2019 Standards and Rules). (4) SFI On-Product Labels are recognized globally and provide a visual cue to help customers source products from responsibly managed forests. SFI has a

Certified Sourcing label and several Certified Chain-of-Custody labels. As well as being certified to the relevant SFI requirements, companies must have approval from the Office of Label Use and Licensing. A major component of the SFI label is the label ID number. This ID number is unique to each organization who applies for use of the SFI label, which gives an added layer of transparency to the claim. SFI program requirements for Forest Management, Fiber Sourcing and Chain-of-Custody certification are independently audited by competent and accredited certification bodies to ensure they conform. SFI's regulatory guidance documents provide the information required to comply with applicable Federal acts and regulations and are accessible to the public at the SFI website located at <https://www.sfiprogram.org/sfistandards/>. The applicant is not engaged in the manufacture, sale, leasing or hiring of goods or the performance of services such as those listed in the application.

## **Goods**

### **Class 01**

(1) Paper and wood products, namely paper pulp and wood pulp manufactured from the products of sustainably managed forests

### **Class 04**

(2) Paper and wood products, namely fire logs manufactured from the products of sustainably managed forests

### **Class 16**

(3) Paper and wood products, namely paper, cardboard packaging boxes in collapsible form, containers of cardboard for packaging, packaging containers of paper, packaging boxes of paper and cardboard, paper bags for packaging, all manufactured from the products of sustainably managed forests; Wood fiber materials, namely paper, cardboard, fiber paper, filter paper, garbage bags of paper, recycle bags of paper, industrial packaging containers of paper, newsprint paper, letter paper, all responsibly harvested and sourced from the products of sustainably managed forests

### **Class 19**

(4) Paper and wood products, namely solid wood form boards, wood fibre, engineered lumber and composite lumber manufactured from the products of sustainably managed forests

### **Class 31**

(5) Paper and wood products, namely wood chips for the manufacture of wood pulp manufactured from the products of sustainably managed forests

## **Services**

### **Class 35**

(1) Management of forestlands, namely protecting water quality, biodiversity, wildlife habitat, species at risk and forests, managing and protecting water wetlands and riparian zones on certified forest lands, and evaluating habitat and biodiversity impacts from forest activities; Chain of custody procedures namely certifications for wood and paper products, namely supply chain management for wood and paper products

### **Class 40**

(2) Custom manufacturing of wood and paper products to the order and specification of others

**Application Number** 1,873,246  
**Language of Application** English

**Filing Date** 2017-12-14

## APPLICANT AND AGENT DETAILS

### Applicant

TRAD SARL  
907 Voie l'Occitane  
LABEGE 31670  
FRANCE

### Agent

CYNTHIA D. MASON  
(Mason Professional Corporation), Blackwood  
Centre, 555 Legget Drive, Suite 304, Ottawa,  
ONTARIO, K2K2X3

## TRADEMARK DETAILS

# TRADCARE

### Trademark Type

Word

### Goods

#### Class 09

Composants électroniques pour cartes de circuits integres; Logiciel de modélisation des effets des radiations sur des composants électronique; Logiciel de simulation des effets des radiations sur des composants électroniques; Logiciels de prédiction des effets singuliers des radiations sur les composants électroniques

### Services

#### Class 41

(1) Formation, nommément colloques en matière de composants électroniques et de prédiction et de simulation des effets des radiations sur des composants électroniques; Organisation de séminaires, de concours, de conférences, de colloques en matière de composants électroniques et de prédiction et de simulation des effets des radiations sur des composants électroniques

#### Class 42

(2) Services de prédiction des effets des radiations sur des composants électroniques rendu par des ingénieurs; Recherche et développement pour des tiers, expertise Ingénierie en matière de prédiction et de simulation des effets des radiations sur des composants électroniques; Élaboration et conception de logiciels de prédiction en matière d'effets des radiations sur des composants électroniques

### Claims

Priority Filing Date: June 14, 2017, Country or Office: FRANCE, Application No: 4368678 in association with the same kind of goods and in association with the same kind of services

**Application Number** 1,873,248  
**Language of Application** English

**Filing Date** 2017-12-14

## APPLICANT AND AGENT DETAILS

### Applicant

Sustainable Forestry Initiative, Inc.  
2121 K Street NW  
Suite 750  
Washington, DC 20037  
UNITED STATES OF AMERICA

### Agent

OSLER, HOSKIN & HARCOURT LLP  
SUITE 6200, P.O. BOX 50, 1 FIRST  
CANADIAN PLACE, TORONTO, ONTARIO,  
M5X1B8

## CERTIFICATION MARK DETAILS

# SFI

### Trademark Type

Word

### Certification Mark Standard

The certification mark, as used or intended to be used by persons authorized by the certifier, certifies or is intended to certify that the goods and/or services provided have been manufactured from the products of sustainably managed forests and/or are comprised of materials that have been responsibly harvested and sourced and/or that forestlands have been sustainably managed and that manufacturing facilities meet certain sourcing and chain of custody standards. The certification mark, when affixed to the goods or services provided, shall indicate to the purchaser that the goods or services have met the standards set by Sustainable Forestry Initiative, Inc. (SFI) for its Forest Management Standard, Fiber Sourcing Standard and/or Chain-of-Custody Standard (the SFI Standards). Participants in the SFI Standards are required to enter into a royalty-free licensing agreement with SFI. The goods and services consist of wood and wood products, wood fiber materials, management of sustainable forests, supply chain management of wood and paper products and manufacturing of wood and paper products. In order for the certification mark to be affixed to the goods and/or services provided, they must meet the following defined standard(s): (1) Forest Management Standard promotes responsible forestry practices and its requirements include measures to protect water quality, biodiversity, wildlife habitat, species at risk and forests with exceptional conservation value (2) fiber sourcing certification goes beyond certified forests to address the 90 percent of the world's forests that are not certified. Program Participants must show that the raw material in their supply chain comes from legal and responsible sources, whether the forests are certified or not. Primary producers are certified to the SFI 2015-2019 Fiber Sourcing Standard (Section 3, SFI 2015-2019 Standards and Rules). Primary or secondary producers who want to use the certified sourcing label must be certified to Appendix 1 (Rules for Use of SFI Certified Sourcing Label). (3) Chain-of-Custody Standard is an accounting system that tracks forest fiber content (certified forest content, certified sourcing and recycled content) through production and manufacturing to the end product. Companies can use chain of custody certification to track and communicate forest fiber content using one of three optional approaches for chain of custody: physical separation, average percentage and volume credit method. Program Participants are certified to the SFI 2015-2019 Chain-of-Custody Standard (Section 4, SFI 2015-2019 Standards and Rules). (4) SFI On-Product Labels are recognized globally and provide a visual cue to help customers source products from responsibly managed forests. SFI has a

Certified Sourcing label and several Certified Chain-of-Custody labels. As well as being certified to the relevant SFI requirements, companies must have approval from the Office of Label Use and Licensing. A major component of the SFI label is the label ID number. This ID number is unique to each organization who applies for use of the SFI label, which gives an added layer of transparency to the claim. SFI program requirements for Forest Management, Fiber Sourcing and Chain-of-Custody certification are independently audited by competent and accredited certification bodies to ensure they conform. SFI's regulatory guidance documents provide the information required to comply with applicable Federal acts and regulations and are accessible to the public at the SFI website located at <https://www.sfiprogram.org/sfistandards/>. The applicant is not engaged in the manufacture, sale, leasing or hiring of goods or the performance of services such as those listed in the application.

## **Goods**

### **Class 01**

(1) Paper and wood products, namely paper pulp and wood pulp manufactured from the products of sustainably managed forests

### **Class 04**

(2) Paper and wood products, namely fire logs manufactured from the products of sustainably managed forests

### **Class 16**

(3) Paper and wood products, namely paper, cardboard packaging boxes in collapsible form, containers of cardboard for packaging, packaging containers of paper, packaging boxes of paper and cardboard, paper bags for packaging, all manufactured from the products of sustainably managed forests; Wood fiber materials, namely paper, cardboard, fiber paper, filter paper, garbage bags of paper, recycle bags of paper, industrial packaging containers of paper, newsprint paper, letter paper, all responsibly harvested and sourced from the products of sustainably managed forests

### **Class 19**

(4) Paper and wood products, namely solid wood form boards, wood fibre, engineered lumber and composite lumber manufactured from the products of sustainably managed forests

### **Class 31**

(5) Paper and wood products, namely wood chips for the manufacture of wood pulp manufactured from the products of sustainably managed forests

## **Services**

### **Class 35**

(1) Management of forestlands, namely protecting water quality, biodiversity, wildlife habitat, species at risk and forests, managing and protecting water wetlands and riparian zones on certified forest lands, and evaluating habitat and biodiversity impacts from forest activities; Chain of custody procedures namely certifications for wood and paper products, namely supply chain management for wood and paper products

### **Class 40**

(2) Custom manufacturing of wood and paper products to the order and specification of others



**Application Number** 1,873,251  
**Language of Application** English

**Filing Date** 2017-12-14

## APPLICANT AND AGENT DETAILS

### Applicant

Sustainable Forestry Initiative, Inc.  
2121 K Street NW  
Suite 750  
Washington, DC 20037  
UNITED STATES OF AMERICA

### Agent

OSLER, HOSKIN & HARCOURT LLP  
SUITE 6200, P.O. BOX 50, 1 FIRST  
CANADIAN PLACE, TORONTO, ONTARIO,  
M5X1B8

## CERTIFICATION MARK DETAILS

### Trademark Type

Design

### Visual Representation



### Certification Mark Standard

The certification mark, as used or intended to be used by persons authorized by the certifier, certifies or is intended to certify that the goods and/or services provided have been manufactured from the products of sustainably managed forests and/or are comprised of materials that have been responsibly harvested and sourced and/or that forestlands have been sustainably managed and that manufacturing facilities meet certain sourcing and chain of custody standards. The certification mark, when affixed to the goods or services provided, shall indicate to the purchaser that the goods or services have met the standards set by Sustainable Forestry Initiative, Inc. (SFI) for its Forest Management Standard, Fiber Sourcing Standard and/or Chain-of-Custody Standard (the SFI Standards). Participants in the SFI Standards are required to enter into a royalty-free licensing agreement with SFI. The goods and services consist of wood and wood products, wood fiber materials, management of sustainable forests, supply chain management of wood and paper products and manufacturing of wood and paper products. In order for the certification mark to be affixed to the goods and/or services provided, they must meet the following defined standard(s): (1) Forest Management Standard promotes responsible forestry practices and its requirements include measures to protect water quality, biodiversity, wildlife habitat, species at risk and forests with exceptional conservation value (2) fiber sourcing certification goes beyond certified forests to address the 90 percent of the world's forests that are not certified. Program Participants must show that the raw material in their supply chain comes from legal and responsible sources, whether the forests are certified or not. Primary producers are certified to the SFI 2015-2019 Fiber Sourcing Standard (Section 3, SFI 2015-2019 Standards and Rules). Primary or secondary producers who want to use the certified sourcing label must be certified to Appendix 1 (Rules for Use of SFI Certified Sourcing Label). (3) Chain-of-Custody Standard is an accounting system that

tracks forest fiber content (certified forest content, certified sourcing and recycled content) through production and manufacturing to the end product. Companies can use chain of custody certification to track and communicate forest fiber content using one of three optional approaches for chain of custody: physical separation, average percentage and volume credit method. Program Participants are certified to the SFI 2015-2019 Chain-of-Custody Standard (Section 4, SFI 2015-2019 Standards and Rules). (4) SFI On-Product Labels are recognized globally and provide a visual cue to help customers source products from responsibly managed forests. SFI has a Certified Sourcing label and several Certified Chain-of-Custody labels. As well as being certified to the relevant SFI requirements, companies must have approval from the Office of Label Use and Licensing. A major component of the SFI label is the label ID number. This ID number is unique to each organization who applies for use of the SFI label, which gives an added layer of transparency to the claim. SFI program requirements for Forest Management, Fiber Sourcing and Chain-of-Custody certification are independently audited by competent and accredited certification bodies to ensure they conform. SFI's regulatory guidance documents provide the information required to comply with applicable Federal acts and regulations and are accessible to the public at the SFI website located at <https://www.sfiprogram.org/sfistandards/>. The applicant is not engaged in the manufacture, sale, leasing or hiring of goods or the performance of services such as those listed in the application.

## **Goods**

### **Class 01**

(1) Paper and wood products, namely paper pulp and wood pulp manufactured from the products of sustainably managed forests

### **Class 04**

(2) Paper and wood products, namely fire logs manufactured from the products of sustainably managed forests

### **Class 16**

(3) Paper and wood products, namely paper, cardboard packaging boxes in collapsible form, containers of cardboard for packaging, packaging containers of paper, packaging boxes of paper and cardboard, paper bags for packaging, all manufactured from the products of sustainably managed forests; Wood fiber materials, namely paper, cardboard, fiber paper, filter paper, garbage bags of paper, recycle bags of paper, industrial packaging containers of paper, newsprint paper, letter paper, all responsibly harvested and sourced from the products of sustainably managed forests

### **Class 19**

(4) Paper and wood products, namely solid wood form boards, wood fibre, engineered lumber and composite lumber manufactured from the products of sustainably managed forests

### **Class 31**

(5) Paper and wood products, namely wood chips for the manufacture of wood pulp manufactured from the products of sustainably managed forests

## **Services**

### **Class 35**

(1) Management of forestlands, namely protecting water quality, biodiversity, wildlife habitat, species at risk and forests, managing and protecting water wetlands and riparian zones on

certified forest lands, and evaluating habitat and biodiversity impacts from forest activities; Chain of custody procedures namely certifications for wood and paper products, namely supply chain management for wood and paper products

**Class 40**

(2) Custom manufacturing of wood and paper products to the order and specification of others

**Application Number** 1,873,253  
**Language of Application** English

**Filing Date** 2017-12-14

## APPLICANT AND AGENT DETAILS

### Applicant

Sustainable Forestry Initiative, Inc.  
2121 K Street NW  
Suite 750  
Washington, DC 20037  
UNITED STATES OF AMERICA

### Agent

OSLER, HOSKIN & HARCOURT LLP  
SUITE 6200, P.O. BOX 50, 1 FIRST  
CANADIAN PLACE, TORONTO, ONTARIO,  
M5X1B8

## CERTIFICATION MARK DETAILS

### Trademark Type

Design

### Visual Representation



### Certification Mark Standard

The certification mark, as used or intended to be used by persons authorized by the certifier, certifies or is intended to certify that the goods and/or services provided have been manufactured from the products of sustainably managed forests and/or are comprised of materials that have been responsibly harvested and sourced and/or that forestlands have been sustainably managed and that manufacturing facilities meet certain sourcing and chain of custody standards. The certification mark, when affixed to the goods or services provided, shall indicate to the purchaser that the goods or services have met the standards set by Sustainable Forestry Initiative, Inc. (SFI) for its Forest Management Standard, Fiber Sourcing Standard and/or Chain-of-Custody Standard (the SFI Standards). Participants in the SFI Standards are required to enter into a royalty-free licensing agreement with SFI. The goods and services consist of wood and wood products, wood fiber materials, management of sustainable forests, supply chain management of wood and paper products and manufacturing of wood and paper products. In order for the certification mark to be affixed to the goods and/or services provided, they must meet the following defined standard(s): (1) Forest Management Standard promotes responsible forestry practices and its requirements include measures to protect water quality, biodiversity, wildlife habitat, species at risk and forests

with exceptional conservation value (2) fiber sourcing certification goes beyond certified forests to address the 90 percent of the world's forests that are not certified. Program Participants must show that the raw material in their supply chain comes from legal and responsible sources, whether the forests are certified or not. Primary producers are certified to the SFI 2015-2019 Fiber Sourcing Standard (Section 3, SFI 2015-2019 Standards and Rules). Primary or secondary producers who want to use the certified sourcing label must be certified to Appendix 1 (Rules for Use of SFI Certified Sourcing Label). (3) Chain-of-Custody Standard is an accounting system that tracks forest fiber content (certified forest content, certified sourcing and recycled content) through production and manufacturing to the end product. Companies can use chain of custody certification to track and communicate forest fiber content using one of three optional approaches for chain of custody: physical separation, average percentage and volume credit method. Program Participants are certified to the SFI 2015-2019 Chain-of-Custody Standard (Section 4, SFI 2015-2019 Standards and Rules). (4) SFI On-Product Labels are recognized globally and provide a visual cue to help customers source products from responsibly managed forests. SFI has a Certified Sourcing label and several Certified Chain-of-Custody labels. As well as being certified to the relevant SFI requirements, companies must have approval from the Office of Label Use and Licensing. A major component of the SFI label is the label ID number. This ID number is unique to each organization who applies for use of the SFI label, which gives an added layer of transparency to the claim. SFI program requirements for Forest Management, Fiber Sourcing and Chain-of-Custody certification are independently audited by competent and accredited certification bodies to ensure they conform. SFI's regulatory guidance documents provide the information required to comply with applicable Federal acts and regulations and are accessible to the public at the SFI website located at <https://www.sfiprogram.org/sfistandards/>. The applicant is not engaged in the manufacture, sale, leasing or hiring of goods or the performance of services such as those listed in the application.

## **Goods**

### **Class 01**

(1) Paper and wood products, namely paper pulp and wood pulp manufactured from the products of sustainably managed forests

### **Class 04**

(2) Paper and wood products, namely fire logs manufactured from the products of sustainably managed forests

### **Class 16**

(3) Paper and wood products, namely paper, cardboard packaging boxes in collapsible form, containers of cardboard for packaging, packaging containers of paper, packaging boxes of paper and cardboard, paper bags for packaging, all manufactured from the products of sustainably managed forests; Wood fiber materials, namely paper, cardboard, fiber paper, filter paper, garbage bags of paper, recycle bags of paper, industrial packaging containers of paper, newsprint paper, letter paper, all responsibly harvested and sourced from the products of sustainably managed forests

### **Class 19**

(4) Paper and wood products, namely solid wood form boards, wood fibre, engineered lumber and composite lumber manufactured from the products of sustainably managed forests

### **Class 31**

(5) Paper and wood products, namely wood chips for the manufacture of wood pulp manufactured from the products of sustainably managed forests

**Services****Class 35**

(1) Management of forestlands, namely protecting water quality, biodiversity, wildlife habitat, species at risk and forests, managing and protecting water wetlands and riparian zones on certified forest lands, and evaluating habitat and biodiversity impacts from forest activities; Chain of custody procedures namely certifications for wood and paper products, namely supply chain management for wood and paper products

**Class 40**

(2) Custom manufacturing of wood and paper products to the order and specification of others

**Application Number** 1,873,371  
**Language of Application** English

**Filing Date** 2017-12-15

## APPLICANT AND AGENT DETAILS

### Applicant

THYSSENKRUPP ELEVATOR AG and  
THYSSENKRUPP AG, a partnership  
ThyssenKrupp Allee 1  
45143 Essen  
GERMANY

### Agent

RICHEs, MCKENZIE & HERBERT LLP  
SUITE 1800, 2 BLOOR STREET EAST,  
TORONTO, ONTARIO, M4W3J5

## TRADEMARK DETAILS

# AGILE

### Trademark Type

Word

### Goods

#### Class 09

electrical apparatus for signaling, measuring, counting, registering, monitoring, controlling, namely security systems and equipment for protection against intruders and unauthorized access, namely, alarm, signaling and warning systems comprised of electronic state sensors for sensing heat and movement, light and infrared barriers, namely, light and infrared motion detectors, signal control centers, namely, anti-theft, forced entry and armed raid prevention systems, comprising computer hardware, data processing programs for monitoring and recording unauthorized and forced entry, electronic sensors for sensing heat and movement, anti-intrusion alarms, video surveillance installations, audio and video transmitters, audio and video receivers, alarms and warning signal transmitters and receivers, magnetic coded card readers, biometrics readers, replacement parts for all of the aforementioned goods; electrical data entry, data processing, data transmission, data storage, data output equipment, namely, access control systems comprising computer hardware, data processing programs for monitoring and recording unauthorized and forced entry, data processing programs for pattern recognition and verification, magnetic coded card readers, biometrics readers, electronic sensors for sensing heat or movement, video surveillance installations, audio and video transmitters and receivers, alarm and warning signal transmitters and receivers, replacement parts for all of the aforementioned goods; electronic instruments and apparatus for data recording and data controlling, namely, computer hardware and data recording and controlling programs for monitoring and logging employee time and attendance, data recording and controlling programs for pattern recognition and verification, replacement parts for all of the aforementioned goods; electronically controlled opening and closing apparatus, namely, computer hardware and data processing programs for monitoring and controlling the opening and closing of doors and for remote interaction with display screens used for elevator signaling and movement, replacement parts for all of the aforementioned goods; computer hardware and data recording and controlling programs for passenger interaction with the calling, signaling, and interaction with the elevator system, replacement parts for all of the aforementioned goods; safety engineering systems and apparatus for intrusion protection and illicit access, namely, computer hardware and data processing programs for monitoring and controlling doors, video surveillance installations, signal transmission and signal display equipment, namely, audio and video

transmitters and audio and video receivers, equipment for emergency and alarm control centers, namely, communication computer hardware, integral alarm indication systems and master alarm indication systems comprising equipment for the recording, processing and evaluation of signals in the areas of intrusion alarm, access control and attendance recording, namely, computer hardware and data processing programs for evaluating alarms signals and elevator functions, closed-circuit television surveillance and closed-circuit television control systems, namely, closed-circuit television and close circuit televisions cameras, audio and video recorders, audio and video transmitters and receivers, and data processing programs for monitoring and recording data received from closed-circuit television surveillance and control systems, equipment for electronic control, surveillance, remote surveillance and alarm verification using audio and video technology and transmission audio and video signals, namely, signal transmitters and receivers, combinations of the aforementioned systems to create overall systems, replacement parts for all of the aforementioned goods; chip card management systems, namely, magnetic coded card readers, biometrics readers, computer hardware and data processing programs for processing and analyzing of alarm signals, for time recording, identification of individuals, building automation, light control, climate control, canteen cards, keyless entry, combination of the aforementioned apparatus and instruments to compound systems, replacement parts for all of the aforementioned goods; computer hardware and data processing programs for monitoring and controlling elevator movement and elevator traffic, replacement parts for all of the aforementioned goods; computer hardware and data processing programs for remote interaction, computer hardware and data processing programs for intelligent reporting, replacement parts for all of the aforementioned goods

## **Services**

### **Class 38**

telecommunications services, namely transmission of voice, data, graphics, sound and video by means of broadband power line and wireless networks for elevator monitoring and control, for providing information and entertainment in elevator cabs and for enabling emergency calls from elevator cabs

## **Claims**

Priority Filing Date: July 20, 2017, Country or Office: GERMANY, Application No: 30 2017 018 169.8 in association with the same kind of goods and in association with the same kind of services



**Application Number** 1,873,721  
**Language of Application** French

**Filing Date** 2017-12-18

## APPLICANT AND AGENT DETAILS

### Applicant

Coyote System  
24 quai Gallieni  
92150 Suresnes  
FRANCE

### Agent

MORENCY, S.E.N.C.R.L.  
500, PLACE D'ARMES, 25e étage, Montréal,  
QUÉBEC, H2Y2W2

## TRADEMARK DETAILS

# COYOTE OnBoard

### Trademark Type

Word

### Goods

#### Class 09

Apparatus for vehicle dashboards, namely for the transmission of information to drivers in relation to their alertness, tiredness or sleepiness, travel speed, the distance between vehicles, speed limits, optimal itineraries, trip duration, road traffic and dangerous road traffic areas, weather conditions, radars, vehicle drivers and the recording of essential data in the event of an accident; speed indicators; speed control apparatus; speed regulators; apparatus for processing and transmitting data used to display the number of users of the same device and the distances between them and apparatus for the display and transmission of information related to a driver's alertness, tiredness or sleepiness, travel speed, the distance between vehicles, speed limits, optimal itineraries, trip duration, road traffic and dangerous road traffic areas, weather conditions, radars and the recording of essential data in the event of an accident, namely global positioning system (GPS and GPRS) receivers, global positioning systems (GPSs and GPRSs) consisting of transmitters, receivers and GSM network interface units, transmitters for global positioning systems (GPSs and GPRSs), car radios with voice-activated control, hands-free telephony and Internet applications, namely for geolocation and driving assistance; driving assistant tools and signalling apparatus, namely data processing and transmitting apparatus, namely receivers for global positioning systems (GPSs) for viewing information related to driving; warning devices, namely for signalling dangerous road traffic areas; software for the transmission of information related to a driver's alertness, tiredness or sleepiness, travel speed, the distance between vehicles, optimal itineraries, trip duration, speed limits, road traffic and dangerous road traffic areas, weather conditions, radars, vehicle drivers and the recording of essential data in the event of an accident; speed indicators; speed control apparatus; speed regulators; terminals for storing, emitting, receiving data used to display the number of users of the same apparatus and the distance between them and data intended for warning advices, namely for signalling dangerous road traffic areas, driving assistant tools, apparatus for the display and transmission of information relating to a driver's alertness, tiredness or sleepiness, travel speed, optimal itineraries, trip duration, the distance between vehicles, speed limits, road traffic and dangerous road traffic areas, weather conditions, radars and the recording of essential data in the event of an accident; infrared cameras; digital cameras; video cameras.

**Services****Class 35**

(1) Updating of databases, collection and systematization of data in a central file (compilation of information), all the said data relating to information about users of warning devices, namely for signalling dangerous road traffic areas, users of driving assistance tools, vehicle speed, the distance between vehicles, the number of vehicles equipped with the same warning device, namely for signalling dangerous road traffic areas, and the same driving assistance tools, speed limits, road traffic and dangerous road traffic areas; management of computer files and databases, the said data relating to information about users of warning devices for signalling dangerous road traffic areas, users of driving assistance tools, vehicle speed, the distance between vehicles, the number of vehicles equipped with the same warning devices for signalling dangerous road traffic areas and the same driving assistance tools, speed limits, road traffic and dangerous road traffic areas; subscription services relating to telecommunications services for others and for vehicle users, namely subscription to onboard wireless telematic communication services providing vehicle tracking and navigation.

**Class 38**

(2) Communication of information and data via computer terminals in the field of automobile driving, namely dissemination of information via a computer database enabling subscribers to obtain information about dangerous road traffic areas, vehicle speed, speed limits and road traffic, transmission of information contained in data banks, dissemination of information by electronic means, dissemination of information over the air and via satellite, transmission of information by telematic means, transmission and reception of information via satellite, all the said information and data related to information about users of warning devices for signalling dangerous road traffic areas, users of driving assistance tools, vehicle speed, the distance between vehicles, the number of vehicles equipped with the same warning device for signalling dangerous road traffic areas and the same driving assistance tool, speed limits, road traffic and dangerous road traffic areas; transmission of information about vehicle speed, the distance between vehicles, the number of vehicles equipped with the same warning device for signalling dangerous road traffic areas and the same driving assistance tool, speed limits, road traffic and dangerous road traffic areas, supply services, namely provision of access to data banks, all the said data related to information about users of warning devices for signalling dangerous road traffic areas, users of driving assistance tools, vehicle speed, the distance between vehicles, the number of vehicles equipped with the same warning device for signalling dangerous road traffic areas and the same driving assistance tool, speed limits, road traffic and dangerous road traffic areas; data bank operation services, all the said data related to information about users of warning devices for signalling dangerous road traffic areas, users of driving assistance tools, vehicle speed, the distance between vehicles, the number of vehicles equipped with the same warning devices for signalling dangerous road traffic areas and the same driving assistance tool, speed limits, road traffic and dangerous road traffic areas; provision of access to a website related to information about vehicle speed, the distance between vehicles, speed limits, road traffic and dangerous road traffic areas.

**Class 42**

(3) Assessments, estimates and research related to computer engineering, computer systems design, conversion of computer programs and data, conversion of data and documents from physical to electronic media, all the said services relating to apparatus and instruments for driving, processing sound and images, namely warning devices for signalling dangerous road traffic areas, driving assistance tools, apparatus displaying the location of dangerous road traffic areas, speed limits and road traffic information; development, design, installation, updating and maintenance of

computer software for transmitting information about travel speed, the distance between vehicles, speed limits, road traffic and dangerous road traffic areas. .

**Application Number** 1,874,095  
**Language of Application** French

**Filing Date** 2017-12-20

## APPLICANT AND AGENT DETAILS

### Applicant

Coyote System  
24 quai Gallieni  
92150 Suresnes  
FRANCE

### Agent

MORENCY, S.E.N.C.R.L.  
500, PLACE D'ARMES, 25e étage, Montréal,  
QUÉBEC, H2Y2W2

## TRADEMARK DETAILS

### Trademark Type

Design

### Visual Representation

COYOTE NAV<sup>+</sup>

### Goods

#### Class 09

Apparatus for vehicle dashboards, namely for the transmission of information to drivers in relation to their alertness, tiredness or sleepiness, travel speed, the distance between vehicles, speed limits, optimal itineraries, trip duration, road traffic and dangerous road traffic areas, weather conditions, radars, vehicle drivers and the recording of essential data in the event of an accident; speed indicators; speed control apparatus; speed regulators; apparatus for processing and transmitting data used to display the number of users of the same device and the distances between them and apparatus for the display and transmission of information related to a driver's alertness, tiredness or sleepiness, travel speed, the distance between vehicles, speed limits, optimal itineraries, trip duration, road traffic and dangerous road traffic areas, weather conditions, radars and the recording of essential data in the event of an accident, namely global positioning system (GPS and GPRS) receivers, global positioning systems (GPSs and GPRSs) consisting of transmitters, receivers and GSM network interface units, transmitters for global positioning systems (GPSs and GPRSs), car radios with voice-activated control, hands-free telephony and Internet applications, namely for geolocation and driving assistance; driving assistant tools and signalling apparatus, namely data processing and transmitting apparatus, namely receivers for global positioning systems (GPSs) for viewing information related to driving; warning devices, namely for signalling dangerous road traffic areas; software for the transmission of information related to a driver's alertness, tiredness or sleepiness, travel speed, the distance between vehicles, optimal itineraries, trip duration, speed limits, road traffic and dangerous road traffic areas, weather conditions, radars, vehicle drivers and the recording of essential data in the event of an accident; speed indicators; speed control apparatus; speed regulators; terminals for storing, emitting, receiving data used to display the number of users of the same apparatus and the distance between them and data intended for warning advices, namely for signalling dangerous road traffic areas, driving assistant tools, apparatus for the display and transmission of information relating to a driver's alertness, tiredness or sleepiness, travel speed, optimal itineraries, trip duration, the distance between vehicles, speed limits, road traffic and dangerous road traffic areas,

weather conditions, radars and the recording of essential data in the event of an accident; infrared cameras; digital cameras; video cameras.

## **Services**

### **Class 35**

(1) Updating of databases, collection and systematization of data in a central file (compilation of information), all the said data relating to information about users of warning devices, namely for signalling dangerous road traffic areas, users of driving assistance tools, vehicle speed, the distance between vehicles, the number of vehicles equipped with the same warning device, namely for signalling dangerous road traffic areas, and the same driving assistance tools, speed limits, road traffic and dangerous road traffic areas; management of computer files and databases, the said data relating to information about users of warning devices for signalling dangerous road traffic areas, users of driving assistance tools, vehicle speed, the distance between vehicles, the number of vehicles equipped with the same warning devices for signalling dangerous road traffic areas and the same driving assistance tools, speed limits, road traffic and dangerous road traffic areas; subscription services relating to telecommunications services for others and for vehicle users, namely subscription to onboard wireless telematic communication services providing vehicle tracking and navigation.

### **Class 38**

(2) Communication of information and data via computer terminals in the field of automobile driving, namely dissemination of information via a computer database enabling subscribers to obtain information about dangerous road traffic areas, vehicle speed, speed limits and road traffic, transmission of information contained in data banks, dissemination of information by electronic means, dissemination of information over the air and via satellite, transmission of information by telematic means, transmission and reception of information via satellite, all the said information and data related to information about users of warning devices for signalling dangerous road traffic areas, users of driving assistance tools, vehicle speed, the distance between vehicles, the number of vehicles equipped with the same warning device for signalling dangerous road traffic areas and the same driving assistance tool, speed limits, road traffic and dangerous road traffic areas; transmission of information about vehicle speed, the distance between vehicles, the number of vehicles equipped with the same warning device for signalling dangerous road traffic areas and the same driving assistance tool, speed limits, road traffic and dangerous road traffic areas, supply services, namely provision of access to data banks, all the said data related to information about users of warning devices for signalling dangerous road traffic areas, users of driving assistance tools, vehicle speed, the distance between vehicles, the number of vehicles equipped with the same warning device for signalling dangerous road traffic areas and the same driving assistance tool, speed limits, road traffic and dangerous road traffic areas; data bank operation services, all the said data related to information about users of warning devices for signalling dangerous road traffic areas, users of driving assistance tools, vehicle speed, the distance between vehicles, the number of vehicles equipped with the same warning devices for signalling dangerous road traffic areas and the same driving assistance tool, speed limits, road traffic and dangerous road traffic areas; provision of access to a website related to information about vehicle speed, the distance between vehicles, speed limits, road traffic and dangerous road traffic areas.

### **Class 42**

(3) Assessments, estimates and research related to computer engineering, computer systems design, conversion of computer programs and data, conversion of data and documents from physical to electronic media, all the said services relating to apparatus and instruments for driving, processing sound and images, namely warning devices for signalling dangerous road traffic areas,

driving assistance tools, apparatus displaying the location of dangerous road traffic areas, speed limits and road traffic information; development, design, installation, updating and maintenance of computer software for transmitting information about travel speed, the distance between vehicles, speed limits, road traffic and dangerous road traffic areas. .

**Application Number** 1,874,586  
**Language of Application** English

**Filing Date** 2017-12-21

## APPLICANT AND AGENT DETAILS

### Applicant

ALCE NERO S.P.A., a legal entity  
VIA PALAZZETTI 5/C  
40068 SAN LAZZARO DI SAVENA (BO)  
ITALY

### Agent

ROBIC  
630, boul. René-Lévesque Ouest, 20e étage,  
Montréal, QUEBEC, H3B1S6

## TRADEMARK DETAILS

# ALCE NERO

### Trademark Type

Word

### Foreign Character Translation

As provided by the Applicant, the translation of the word(s) ALCE NERO is BLACK MOOSE.

### Goods

#### Class 05

(1) Dietetic foods adapted for medical purposes, namely, dietetic substances consisting of vitamins, minerals, amino acids and trace elements; Infant formula; Digestives for pharmaceutical purposes, namely, dietary fiber to aid digestion; Lactéal flour for babies; Powdered milk for babies; Baby food products, namely, baby food suitable for babies +4 months old; Homogenized food adapted for medical purposes, namely, milk sugar for use in the manufacture of pharmaceuticals; Dietary supplements for humans, namely, dietary supplements for general health and well-being.

#### Class 29

(2) Meat, fish, poultry and game; Meat extracts; Preserved, frozen, dried and cooked, namely, stewed fruits and vegetables; Jellies, compotes; Eggs; Milk and milk products; Oils and fats, namely, extra virgin olive oil, seeds oil for food, cooking oil; Broth; Tomato paste and canned tomatoes; Meat, tinned [canned (Am.)], namely, ham; Fruit preserves; Vegetables, tinned [canned (Am.)], namely, canned vegetables; Fish, preserved; Delicatessen products, namely, sausages; Cheese, Jellies for food; Isinglass for food; Lard; Vegetables, preserved; Dried pulses; Fish, preserved; Meats; Sausages; Rice milk; Soya milk; Coconut milk; Almond milk; Whey; Peanut milk-based beverages; Coconut milk-based beverages; Almond milk-based beverages; Milk beverages, milk predominating; Crustaceans, not live; Dates; Fruit preserved in alcohol; Tomato purée; Potato chips; Fruit pulp; Jams; Extra virgin olive oil.

#### Class 30

(3) Coffee, tea, cocoa and artificial coffee; Rice; Tapioca and sago; Flour and preparations made from cereals, namely, pasta, cereals flakes namely corn flakes, maize flakes, oat flakes, oat bran cereals, toasted grain flour; Bread, pastries Edible ices; Sugar, honey, treacle; Yeast, baking-powder; Salt; Mustard; sauces [condiments], namely, meat sauce, vegetables sauces, pizza sauce, fish sauce, chili sauce, chimichurri sauce, ketchup sauce, hot sauce, soya sauce; Spices; Ice for refreshment; Food flavorings, other than essential oils, namely, flavoring for cakes; Cereal bars; Stick liquorice; Cocoa-based beverages; Beverages (Cocoa-based -); Coffee-based

beverages; Beverages (Coffee-based), namely, coffee beverages with milk, coffee-based beverages; Coffee based drinks; Chamomile-based beverages; non-alcoholic Chocolate-based beverages; Drinking chocolate, namely, chocolate syrups; Tea-based beverages; Baking soda [bicarbonate of soda for cooking purposes]; Sweetmeats [candy], namely, sweetmeat made of sesame oil; Puddings; Unroasted coffee; Capers; Caramels [candy]; Chocolate; Waffles; Chocolate spreads containing nuts; Cakes; Flowers or leaves for use as tea substitutes; Wheat germ for human consumption; Bubble gum; Muesli; Bread; Pesto; pizzas; sherbets (ices); Vinegars; Couscous; Durum wheat; Vegetable nuts, namely, soya beans; Shortbread and biscuits; Organic honey; Pasta; Barley drinks, namely, barley tea.

**Class 32**

(4) Beers; Mineral and aerated waters and other non-alcoholic beverages, namely, cola beverages, orange juice beverages; Fruit juice beverages; Syrups and other preparations for making beverages, namely, concentrates used in the preparation of soft drinks; Smoothies; Isotonic beverages; Syrups for the preparation of soft drinks; Soda water; Juices, namely, apple juice beverages.

**Claims**

Priority Filing Date: November 09, 2017, Country or Office: ITALY, Application No: 302017000127671 in association with the same kind of goods



**Application Number** 1,874,815  
**Language of Application** English

**Filing Date** 2017-12-22

## APPLICANT AND AGENT DETAILS

### Applicant

Silicon Beach Media II, LLC  
1666 Greenfield Avenue, Ste 302  
Los Angeles, CA 90025  
UNITED STATES OF AMERICA

### Agent

GOWLING WLG (CANADA) LLP  
SUITE 1600, 1 FIRST CANADIAN PLACE, 100  
KING STREET WEST, TORONTO, ONTARIO,  
M5X1G5

## TRADEMARK DETAILS

# TARSUS

### Trademark Type

Standard Characters

### Goods

#### Class 09

Set-top boxes; digital media streaming devices, namely, digital audiovisual receivers, digital television receivers, digital set-top boxes, digital video recorders; remote controls for set-top boxes

### Claims

Priority Filing Date: August 23, 2017, Country or Office: UNITED STATES OF AMERICA,  
Application No: 87/581,306 in association with the same kind of goods

**Application Number** 1,874,901  
**Language of Application** English

**Filing Date** 2017-12-22

## APPLICANT AND AGENT DETAILS

### Applicant

Seven for all Mankind International SAGL  
Via Penate 4  
6850 Mendrisio  
SWITZERLAND

### Agent

SMART & BIGGAR LLP  
1100-150 York street, TORONTO, ONTARIO,  
M5H3S5

## TRADEMARK DETAILS

# LUXE PERFORMANCE

### Trademark Type

Word

### Goods

#### Class 10

(1) orthopaedic footwear

#### Class 25

(2) Clothing, namely, pants, shorts, chino pants, khakis, bottoms, namely, baby bottoms, bikini bottoms, swimming suit bottoms, jeans, jeggings, leggings, jogging pants, culottes

(3) Clothing, namely, shirts, long-sleeved shirts, T-shirts, under shirts, polo shirts, cardigans, jerseys, dress shirts, tops, namely, crop tops, tank tops, tunics, kaftans, camisoles, shrugs, sweat shirts, hooded sweat shirts, sweat jackets, blouses, sweaters, vests, pullovers, turtlenecks sweat shirts, hooded sweat shirts, sweat jackets, sweat shorts, sweat pants, wraps, namely, bath wraps, beach wraps, wrap tops, wrap dresses, blouses, skirts, dresses, gowns, sweaters, vests, pullovers, parkas, capes, anoraks, ponchos, cloaks, shrugs, shawls, coats, turtlenecks, wrist bands, sweat bands, scarves, bandanas, belts, suspenders, neckwear, namely, bowties, cravats, bolo ties, scarves, ties, ascots, neckerchiefs, ties, neckerchiefs, pocket squares, ascots, socks, loungewear, robes, pajamas, sleepwear, night gowns, lingerie, leg warmers, gloves, mittens, rainwear, footwear, namely, shoes, sneakers, flip flops, boots, sandals, slippers, athletic footwear, casual footwear, dress footwear, evening footwear, beach footwear, rain footwear, bridal footwear, children's footwear, climbing footwear, exercise footwear, golf footwear, infant footwear, sports footwear, outdoor winter footwear, rain footwear

(4) Denim jeans, denim pants, jackets, denim jackets

### Claims

Priority Filing Date: June 22, 2017, Country or Office: UNITED STATES OF AMERICA, Application No: 87/501,066 in association with the same kind of goods (2); June 22, 2017, Country or Office: UNITED STATES OF AMERICA, Application No: 87/501,454 in association with the same kind of goods (1), (3), (4)

**Application Number** 1,875,243  
**Language of Application** English

**Filing Date** 2017-12-27

## APPLICANT AND AGENT DETAILS

### Applicant

Hill Street Beverage Co.  
44 Gwendolen Crescent  
Toronto  
ONTARIO  
M2M2L7

### Agent

JOHN H. SIMPSON  
(SHIFT LAW PROFESSIONAL  
CORPORATION), 60 St. Clair Ave. East, Suite  
403, Toronto, ONTARIO, M4T1N5

## TRADEMARK DETAILS

### Trademark Type

Design

### Visual Representation

The image shows a handwritten trademark logo. The word "VIN" is written in a bold, black, sans-serif font. To its right, the word "ZERO" is written in a smaller, black, sans-serif font, enclosed within a large, black, handwritten-style parenthesis. The entire logo is rendered in black ink on a white background.

### Goods

#### Class 32

Non-alcoholic carbonated beverages; non-alcoholic non-carbonated beverages, namely, non-alcoholic wine, non-alcoholic fruit juice beverages, non-alcoholic vegetable juice beverages, and non-alcoholic cocktails.

### Services

#### Class 41

Educational programs to educate consumers with respect to the effect of alcohol on life style choices, medical conditions and medicines.

**Application Number** 1,875,467  
**Language of Application** English

**Filing Date** 2017-12-29

## APPLICANT AND AGENT DETAILS

### Applicant

ACROSS INFINITY LLC  
850 New Burton Road  
Suite 201  
Dover, DE 19904  
UNITED STATES OF AMERICA

### Agent

MILLER IP LAW  
84 Neilson Drive, Toronto, ONTARIO, M9C1V7

## TRADEMARK DETAILS

# HIGHLIGHTER

### Trademark Type

Word

### Goods

#### Class 03

(1) Cannabis infused lotions, balms, oils and creams for cosmetic purposes; cannabis extracts and infusions for cosmetic purposes; cannabis infused tinctures.

#### Class 09

(2) Batteries for oral vaporizers for smoking purposes.

#### Class 34

(3) Dried cannabis; cannabis oil for oral vaporizers for smoking; cannabis derivatives and concentrates for oral vaporizers for smoking, specifically cannabidiol (CBD) oil and tetrahydrocannabinol (THC) oil; cannabis extracts and infusions for smoking; oral cannabis vaporizers for smoking purposes.

### Services

#### Class 40

(1) The operation of a production and manufacturing facility in the field of cannabis, medical marijuana, hemp and industrial hemp.

#### Class 41

(2) Online information and educational services in the field of public interest concerning current events in the field of cannabis, medical marijuana, hemp and industrial hemp.

#### Class 44

(3) Farming services; cultivation of cannabis crops.

**Application Number** 1,875,954  
**Language of Application** English

**Filing Date** 2018-01-04

## APPLICANT AND AGENT DETAILS

### Applicant

China Railway Signal & Communication  
Corporation Limited  
Automobile Museum South Road, Fengtai  
Science Park  
20/F, Building A, CRSC Plaza, No.1  
Beijing  
CHINA

### Agent

BERESKIN & PARR LLP/S.E.N.C.R.L., S.R.L.  
SCOTIA PLAZA, 40 KING STREET WEST,  
40th FLOOR, TORONTO, ONTARIO, M5H3Y2

## TRADEMARK DETAILS

### Trademark Type

Design

### Visual Representation



### Foreign Character Translation

The translation provided by the applicant of the Chinese words 'ZHONG GUO' means 'CHINA'; 'TONG' means 'Through'; 'HAO' means 'howl'.

### Foreign Character Transliteration

The transliteration provided by the applicant of the Chinese characters is 'ZHONG GUO TONG HAO'.

### Goods

#### Class 06

(1) railway points; railway material of metal, namely, materials of metal for railway construction; guard rails of metal; fish plates for rails; wheel skids for railway use; anti-creepers used in railway; steel wire; nonelectric cable joints of metal; machine belt fasteners of metal; badges of metal for vehicles

#### Class 09

(2) calculating machines, namely, electronic calculators for performing arithmetic or logical operation according to a series of instructions, mainly used in railway signal and communication, smart city, electric power and related fields; data processing equipment, namely, optical character readers; computer memory devices, namely, computer hard drives; computers; recorded computer programs, namely, computer software used to monitor the location of locomotives on railways; recorded computer operating programs; magnetic identity cards; computer software, recorded, namely, computer software used to monitor the location of locomotives on railways; couplers, namely, optical couplers; computer peripheral devices, namely, printers, keyboards, mice; magnetic data media, namely, pre-recorded CDs and DVDs featuring audio and video recordings

of locomotives; magnetic encoders, namely, devices converting analog signals into digital ones using magnetic fields; magnetic tape units for computers; microprocessors; computer display monitors; computer monitor programs, namely, computer software used to monitor the location of locomotives on railways; electronic tags for goods; integrated circuit cards, namely, portable plastic cards that are pasted and embedded with integrated circuit chip, namely, integrated circuit identification cards; blank smart cards; downloadable electronic publications, namely, magazines in the fields of locomotives and telecommunication on railways; computer programs in the nature of downloadable software, namely, computer software used to monitor the location of locomotives on railways; downloadable music files; downloadable digital video recordings featuring locomotives; computer hardware; optical character readers; pre-recorded optical discs featuring video recordings about locomotives; safety lights for railroads; mechanical signs; signal lanterns; signs, luminous; light-emitting electronic pointers; electronic notice boards; aerials used to transmit or receive radio waves; electric anti-interference devices, namely, filters for radio; branch boxes, namely, electric junction boxes; switchboards; emergency signal transmitters; telephone transmitters; radios; intercommunication apparatus, namely, walkie-talkies; radiotelephony sets; radar; vehicle radios; telephones; radio transmitters for remote controls; radio receivers for remote controls; masts for wireless aerials; telerupters, namely, switchers for routing telephone cables; radio transmitters; modems; video telephones; navigation apparatus for vehicles in the form of board computers; radio pagers; Global Positioning Systems receivers, Global Positioning Systems transmitters; walkie-talkies; transponders; Global Positioning System [GPS] receivers; Global Positioning System [GPS] transmitters; smartphones; drive chopper, namely, hard disk drives; automatic telephone exchangers; optical communication equipment, namely, optical transmitters; cell phone antennas, radio antennas; blank compact disk (CD); measuring instruments, namely, laser distance meters; sheaths for electric cables; cables, electric; wires, electric; magnetic wires; identification threads for electric wires; identification sheaths for electric wires; materials for electricity mains, namely, electric wires and electric cables; copper wire, insulated; junction sleeves for electric cables; coaxial cables; fiber optic cables

### **Class 12**

(3) rolling stock for funicular railways; buffers for railway rolling stock; bogies for railway cars; rolling stock for railways; tramcars; aerial conveyors; suspension shock absorbers for vehicles

### **Class 17**

(4) synthetic rubber; rubber sleeve for protecting parts of machines; rings of rubber for use as pipe connection seals; soldering threads of plastic; plastic junctions for pipes; watering hose; asbestos paper; insulators for railway tracks; insulators for cables

### **Services**

#### **Class 37**

(1) building construction supervision; providing home repair information; construction consultancy, namely, service for proposing architectural improvements and future development; construction progress inquiry, namely, providing information about the progress of home construction; asphaltting; rental of bulldozers; rental of construction related equipment used by rail transit signal and communication equipment; building construction services; demolition of buildings; warehouse construction and repair; building sealing; rental of excavators; furnace installation and repair; building insulating; masonry; pipeline construction and maintenance; plastering; plumbing; riveting; scaffolding; bricklaying; road paving; roofing services; installation of doors and windows; laying of cable; cleaning of buildings [interior]; upholstery repair; upholstering; painting, interior and exterior; cleaning of buildings [exterior surface]; installation, maintenance and repair of computer hardware; rebuilding engines that have been worn or partially destroyed; installation of filters for radio

interference suppression; rustproofing; re-tinning; repair of power lines packings for packing goods while being transported

**Class 38**

(2) transmission of electronic mail; facsimile transmission; optic-fiber transmission of video and audio featuring information in the field of railways; satellite transmission of video and audio featuring information in the field of railways; teleconferencing services; videoconferencing services; streaming of audio and video via the Internet featuring information in the field of railways; radio broadcasting

**Class 42**

(3) technical research in the fields of architectural design, and civil engineering; conducting technical project studies in the nature of providing scientific research in the fields of metallurgy; mechanical engineering; chemical engineering; electrical engineering; civil engineering; physics research; mechanical research in the field of rail transit signals; research and development of new products for others; consultancy in the field of energy-saving; scientific research in the fields of architectural design, civil engineering, and metallurgy; technological consultancy in the fields of architectural design, civil engineering, and metallurgy; telecommunications technology consultancy in the fields of architectural design, civil engineering, and metallurgy; technical writing; engineering drafting services; quality control of equipment for railways; quality assessment of equipment for railways; geological surveys; land surveying; geological prospecting; geological research; calibration of equipment for railways; technical surveying; industrial design; architectural services; architectural consultancy; construction drafting; development of construction projects for railways; computer programming; computer software design; updating of computer software; consultancy in the design and development of computer hardware; recovery of computer data; rental of computer software; maintenance of computer software; computer system analysis; computer system design; duplication of computer programs; conversion of data or documents from physical to electronic media; installation of computer software; conversion of data or documents from physical to electronic media, namely, converting existing data or documents into electronic signals; computer software consultancy; monitoring of computer systems by remote access; software as a service (SaaS) services featuring software for use in monitoring the location of locomotives on railways; information technology [IT] consultancy in the fields of architectural design, civil engineering, and metallurgy; off-site data backup; cloud computing services featuring software for use in monitoring the location of locomotives on railways; cloud computing services for general storage of data; computer technology consultancy; computer security consultancy

**Application Number** 1,876,172  
**Language of Application** English

**Filing Date** 2018-01-05

## APPLICANT AND AGENT DETAILS

### Applicant

Myant Inc.  
100 Ronson Drive  
Etobicoke  
ONTARIO  
M9W1B6

### Agent

NORTON ROSE FULBRIGHT CANADA LLP/S.  
E.N.C.R.L.,S.R.L.  
1, Place Ville Marie, Suite 2500, Montreal,  
QUEBEC, H3B1R1

## TRADEMARK DETAILS

# MYANT

### Trademark Type

Word

### Goods

#### Class 09

(1) Computer hardware with embedded bi-directional software used to monitor, transmit, record, and analyse body data, namely, body temperature, hydration, movement and muscles, gait analysis and steps taken, posture, oxygen saturation and vital signs such as heart rate and breathing, and environmental data, namely, weather, precipitation, sun intensity, pollution and noise, and to transmit instructions for actuation adjustments in response; downloadable mobile application software used to monitor, transmit, record, and analyse body data, namely, body temperature, hydration, movement and muscles, gait analysis and steps taken, posture, oxygen saturation and vital signs such as heart rate and breathing, and environmental data, namely, weather, precipitation, sun intensity, pollution and noise, and to transmit instructions for actuation adjustments in response, via the Internet in the field of designing, developing and producing wearable technology

#### Class 10

(2) Knee braces and compression garments for athletic and other non-medical use, namely, arm sleeves, elbow sleeves, and leg sleeves, all with sensors that measure body temperature, hydration, movement and muscles, gait analysis and steps taken, posture, oxygen saturation, vital signs such as heart rate and breathing, and that measure environment such as weather, precipitation, sun intensity, pollution and noise, and that actuate to adjust in response

#### Class 12

(3) Upholstery for vehicles, vehicle seat coverings, vehicle seatbelt coverings, steering wheel covers, all with sensors that measure body temperature, hydration, movement and muscles, gait analysis and steps taken, posture, oxygen saturation, vital signs such as heart rate and breathing, and that measure environment such as weather, precipitation, sun intensity, pollution and noise, and that actuate to adjust in response

#### Class 18



(4) Back packs with sensors that measure body temperature, gait analysis and steps taken, posture and that measure environment such as weather, precipitation, sun intensity, pollution and noise, and that actuate to adjust in response

#### **Class 24**

(5) Pillow cases, bed sheets, mattress covers, sleeping bags, upholstery fabrics, and curtains, all with sensors that measure body temperature, hydration, movement and muscles, gait analysis and steps taken, posture, oxygen saturation, vital signs such as heart rate and breathing, and that measure environment such as weather, precipitation, sun intensity, pollution and noise, and that actuate to adjust in response

#### **Class 25**

(6) Clothing, namely, t-shirts, shirts, tank tops, pants, leggings, shorts, underwear, bras, swimwear, socks, bodysuits, tights, jackets, coats, vests, warm-up suits, skirts, dresses and ponchos, all with sensors that measure body temperature, hydration, movement and muscles, gait analysis and steps taken, posture, oxygen saturation, vital signs such as heart rate and breathing, and that measure environment such as weather, precipitation, sun intensity, pollution and noise, and that actuate to adjust in response; headwear, namely, hats, caps, toques, hoods, visors, headbands, bandanas, and balaclavas, all with sensors that measure body temperature, hydration, movement and muscles, gait analysis and steps taken, posture, oxygen saturation, vital signs such as heart rate and breathing, and that measure environment such as weather, precipitation, sun intensity, pollution and noise, and that actuate to adjust in response; footwear, namely, shoes and insoles, all with sensors that measure body temperature, hydration, movement and muscles, gait analysis and steps taken, posture, oxygen saturation, vital signs such as heart rate and breathing, and that measure environment such as weather, precipitation, sun intensity, pollution and noise, and that actuate to adjust in response; clothing accessories, namely, belts, scarves, shawls, arm warmers, leg warmers, mittens, and gloves, all with sensors that measure body temperature, hydration, movement and muscles, gait analysis and steps taken, posture, oxygen saturation, vital signs such as heart rate and breathing, and that measure environment such as weather, precipitation, sun intensity, pollution and noise, and that actuate to adjust in response

#### **Class 27**

(7) Floor mats all with sensors that measure body temperature, hydration, movement and muscles, gait analysis and steps taken, posture, oxygen saturation, vital signs such as heart rate and breathing, and that measure environment such as weather, precipitation, sun intensity, pollution and noise, and that actuate to adjust in response

#### **Services**

#### **Class 38**

(1) Electronic transmission and retrieval of body data, namely, body temperature, hydration, movement and muscles, gait analysis and steps taken, posture, oxygen saturation and vital signs such as heart rate and breathing, and environmental data, namely, weather, precipitation, sun intensity, pollution and noise, and to transmit instructions for actuation adjustments in response, over a global computer network in the field of designing, developing and producing wearable technology

#### **Class 40**

(2) Manufacture of wearable technology and textiles to the order and specification of others, namely textile fabrics with sensors

#### **Class 42**

(3) Providing software as a service to monitor, transmit, record, and analyse body data, namely, body temperature, hydration, movement and muscles, gait analysis and steps taken, posture, oxygen saturation and vital signs such as heart rate and breathing, and environmental data, namely, weather, precipitation, sun intensity, pollution and noise, and to transmit instructions for actuation adjustments in response, via the Internet in the field of designing, developing and producing wearable technology

(4) Research and development of new products for others; research and development in the field of textiles; research and development in the field of wearable technology

**Application Number** 1,876,603  
**Language of Application** French

**Filing Date** 2018-01-09

## APPLICANT AND AGENT DETAILS

### Applicant

EVALEO, une association régie par la loi suisse  
Rue Crêt-de-la-Fin 12  
2024 St-Aubin  
SUISSE

### Agent

SANDRINE PERNOD-BOULANGER  
4847 Westmount Avenue, Westmount,  
QUÉBEC, H3Y1X9

## TRADEMARK DETAILS

### Trademark Type

Design

### Visual Representation



### Colour Claim

Colour is claimed as a feature of the trademark. The mark consists of the words GLOBAL ACTIVE CITY in stylized white letters (all of which are enclosed within a blue circle) located below a figurative element. White is also used for the background, the outlines, the shading and the transparent areas.

### Goods

#### Class 09

(1) Downloadable applications for hand-held computers, tablets and mobile telephones for the purpose of reading periodicals, downloadable electronic newspapers; downloadable news blogs, downloadable electronic newspapers.

#### Class 16

(2) Paper and cardboard; printed matter, namely periodical publications; bookbinding material; photographs; stationery; plastic sheets, films and bags for wrapping and packaging; printers' type; pens; pencils; journals (publications); manuals; guides.

### Services

**Class 35**

(1) Business management; assistance in the management of public administrations and organizations; business organization and management advice, in particular in relation to the creation and development of public policies, strategies and programs regarding the promotion of physical and mental well-being in urban areas, physical activity, public health and sustainable development; auditing of public administrations (business analyses), namely commercial auditing relating to the management and implementation of public policies and strategies for promoting physical activity and health and physical and mental well-being in urban areas; promotion of the goods and services of others through contractual agreements, in particular partnership and license agreements, providing the said others with the means to develop a visibility and a position centred on social values; advertising services for raising public awareness of the benefits of physical and mental well-being in urban areas and of physical activity through the development and implementation of international standards; preparation of statistics; statistical analysis and documentation services.

**Class 39**

(2) Travel arrangement services featuring sightseeing tours, including the development and provision of travel guides; organization, booking and arrangement of excursions, day trips and sightseeing tours; booking of travel through tourist offices; travel, excursion and cruise arrangement; transport booking services for sporting, scientific, political and cultural events; electricity distribution and storage; electricity supply services; distribution of electrical power, gas, water and district heating.

**Class 41**

(3) Educational services related to physical activity and physical and mental well-being in urban areas; organization and conduct of colloquia, conferences, conventions, seminars, symposia and training workshops in the field of public policies, programs and strategies for promoting physical activities and physical and mental well-being in urban areas; organization and conduct of awards ceremonies; provision of online electronic publications; publishing of books, journals, texts and periodicals; online publishing of books, journals, texts and electronic periodicals; publishing, including online publishing, of standards related to public policies concerning sports, related to public sports infrastructure and related to public programs for promoting physical activities and physical and mental well-being in urban areas; training and education information services relating to the benefits of physical activity and physical and mental well-being in urban areas; publishing of statistics regarding municipal and regional public programs in the fields of sports, sports facilities and activities promoting a healthy, active lifestyle; provision of sports facilities; seat reservation and ticket pre-sale services for recreational, sporting or cultural events; provision of information regarding sports, urban sports facilities and infrastructure, and sporting activities in general organized by a municipality or region.

**Class 42**

(4) Quality control of public programs, policies and strategies for promoting physical and mental well-being and physical activities in urban areas; architectural project auditing for public infrastructure, in particular sports infrastructure; technical auditing of projects for the development and creation of urban sports infrastructure; consulting related to quality assurance for use in the construction industry; environmental assessment services; technical project studies in the field of construction; consulting services in the field of construction planning and design, in particular the construction of public sports infrastructure; architectural design for urban planning; hosting of blogs; database development services.

**Class 45**

(5) Legal services; lobbying services, other than for commercial purposes, namely for promoting health, physical activities, and physical and mental well-being in urban areas.

**Claims**

Priority Filing Date: July 11, 2017, Country or Office: SWITZERLAND, Application No: 58773/2017 in association with the same kind of goods and in association with the same kind of services

**Application Number** 1,877,188  
**Language of Application** French

**Filing Date** 2018-01-12

## APPLICANT AND AGENT DETAILS

### Applicant

FACIL'iti  
16 Rue Soyouz  
Parc Ester Technopole  
87280 Limoges  
FRANCE

### Agent

SMART & BIGGAR LLP  
1000 RUE DE LA GAUCHETIERE OUEST,  
BUREAU 3300, MONTREAL, QUÉBEC,  
H3B4W5

## TRADEMARK DETAILS

# FACIL'ITI

### Trademark Type

Word

### Goods

#### Class 09

Recorded and downloadable computer programs, namely computer software for adapting an Internet site's display to accommodate users with vision impairments and difficulties, namely colour-blindness, cataracts, presbyopia, age-related macular degeneration, computer software for adapting an Internet site's display to accommodate users with communication impairments and difficulties, namely dyslexia, photosensitive epilepsy, computer software for adapting an Internet site's display to accommodate users with mobility impairments and difficulties, namely Parkinson's disease, essential tremor, Wilson's disease, computer software for adapting an Internet site's display to accommodate users with hearing impairments and difficulties, namely deafness

### Services

#### Class 41

(1) Training in the use of computer software for accommodating users with vision impairments and difficulties, communication impairments and difficulties, mobility impairments and difficulties, and hearing impairments and difficulties, namely organization and conduct of training workshops, coaching sessions, practical training and demonstrations; standardized knowledge testing services; online electronic publishing of instructions and user manuals relating to computer software for accommodating users with vision impairments and difficulties, communication impairments and difficulties, hearing impairments and difficulties, and mobility impairments and difficulties.

(2) Training in the use of computer software for accommodating users with vision impairments and difficulties, communication impairments and difficulties, mobility impairments and difficulties, and hearing impairments and difficulties, namely organization and conduct of training workshops, coaching sessions, practical training and demonstrations; online electronic publishing of instructions and user manuals relating to computer software for accommodating users with vision impairments and difficulties, communication impairments and difficulties, hearing impairments and difficulties, and mobility impairments and difficulties.

#### Class 42

(3) Design of computer systems and computer programs; computer software consulting; computer software installation services; maintenance of computer software and computer programs.

(4) Computer software installation services; maintenance of computer software and computer programs.

**Application Number** 1,878,232  
**Language of Application** English

**Filing Date** 2018-01-18

## APPLICANT AND AGENT DETAILS

### Applicant

WESTERN DIGITAL TECHNOLOGIES, INC.  
5601 Great Oaks Parkway  
San Jose, California 95119  
UNITED STATES OF AMERICA

### Agent

BERESKIN & PARR LLP/S.E.N.C.R.L., S.R.L.  
SCOTIA PLAZA, 40 KING STREET WEST,  
40th FLOOR, TORONTO, ONTARIO, M5H3Y2

## TRADEMARK DETAILS

# IOSPHERE

### Trademark Type

Word

### Goods

#### Class 09

Virtual reality software for mapping-out computer hardware and software in the field of data storage capabilities and document sharing; game software for educating consumers in the field of computer hardware and software for electronic data storage capabilities and document sharing; software for demonstrating and displaying digital advertising of the goods and services of others in the field of electronic data storage; software for demonstrating and displaying digital advertising of the use and function of electronic data storage software and systems in the field of electronic data storage; computer software for demonstrating and displaying digital advertising in the field of electronic data storage software and computer hardware systems via an interactive virtual world; computer software for database management; computer software for use in connection with data storage devices, namely, hard disk drives, solid-state drives, blank flash drives in the nature of blank flash memory cards, blank USB drives and CD drives

### Services

#### Class 35

(1) Advertising the goods and services of others in the field of electronic data storage computer hardware and software via electronic media to professionals, businesses and consumers; consumer product information in the field of electronic data storage computer hardware and software via a global computer network; business management services relating to electronic data storage; business management consulting in the field of electronic data storage computer hardware and software

#### Class 42

(2) Providing information on the use of data storage hardware and software in homes, businesses and vehicles via a global computer network; providing information on computer technology in the field of electronic data storage hardware and software via a global computer network; providing information on computer technology and programming via a global computer network; consulting services in the field of electronic data storage computer hardware and software; consulting services in the design and implementation of computer hardware and electronic data storage software; consulting in the field of computer hardware and electronic data storage software;



computer software consultation; providing information in the field of electronic data storage  
computer hardware and software via a global computer network

**Application Number** 1,878,516  
**Language of Application** English

**Filing Date** 2018-01-19

## APPLICANT AND AGENT DETAILS

### Applicant

Spin Master Ltd.  
225 King Street West, Suite 200  
Toronto  
ONTARIO  
M5V3M2

### Agent

SPIN MASTER LTD.  
225 King Street West, Suite 200, Toronto,  
ONTARIO, M5V3M2

## TRADEMARK DETAILS

### Trademark Type

Design

### Visual Representation



### Goods

#### Class 28

Toys, games, playthings and novelties namely, collectible pet figures, toy jewellery, toy jewellery for back packs, toy gems for making pet figures, protective toy jewellery cases

**Application Number** 1,878,971  
**Language of Application** English

**Filing Date** 2018-01-23

## APPLICANT AND AGENT DETAILS

### Applicant

Uber Technologies, Inc.  
1455 Market Street, 4th Floor  
San Francisco, CA 94103  
UNITED STATES OF AMERICA

### Agent

FASKEN MARTINEAU DUMOULIN LLP  
800 rue Square-Victoria, BUREAU 3700, C.P.  
242, MONTREAL, QUEBEC, H4Z1E9

## TRADEMARK DETAILS

# UBER PRESENTS

### Trademark Type

Word

### Services

#### Class 41

Entertainment services in the nature of development, creation, production, distribution, and post-production of motion pictures and multimedia entertainment content, namely series and documentaries; film and video production; providing entertainment information in the field(s) of videos and films via a website; non-downloadable videos in the field of entertainment, namely films and series, and documentaries transmitted via website.

### Claims

Priority Filing Date: July 24, 2017, Country or Office: UNITED STATES OF AMERICA, Application No: 87540897 in association with the same kind of services

**Application Number** 1,879,422  
**Language of Application** English

**Filing Date** 2018-01-24

## APPLICANT AND AGENT DETAILS

### Applicant

Swagger Communications Inc.  
3512 1st Street NW  
Calgary  
ALBERTA  
T2K0W6

### Agent

HICKS INTELLECTUAL PROPERTY LAW  
213-304 Old Canmore Road, Canmore,  
ALBERTA, T1W0L5

## TRADEMARK DETAILS

# CAMP HOO-HA

### Trademark Type

Word

### Goods

#### Class 11

(1) electric flashlights

#### Class 14

(2) jewellery

#### Class 16

(3) books; magazines; journals

#### Class 18

(4) backpacks

#### Class 21

(5) canteen flasks

(6) mugs

#### Class 24

(7) blankets

#### Class 25

(8) tank tops; hooded sweatshirts; t-shirts; casual clothing

(9) hats

(10) sweatshirts

### Services

#### Class 35

(1) online retail sales of hats, tank tops, hooded sweatshirts, sweatshirts, t-shirts, casual clothing; mugs

(2) online retail sales of books, magazines, journals, blankets, backpacks, jewellery, canteen flasks, flashlights

**Class 41**

(3) organizing and providing workshops, seminars and events on topics in the field of cooking, outdoor adventure, namely hiking, climbing and orienteering, general health and well-being, nutrition, self-defense, beauty, arts and crafts, home décor

(4) organizing and providing day camp services

**Class 43**

(5) providing temporary lodging at overnight camps

**Application Number** 1,880,039  
**Language of Application** English

**Filing Date** 2018-01-29

## APPLICANT AND AGENT DETAILS

### Applicant

RELASH HOLDINGS INC.  
790 Rue Brunet  
Saint-Laurent  
QUEBEC  
H4M1Y5

### Agent

RONALD R. TOLEDANO  
(SPIEGEL SOHMER INC.), 1255 Peel Street,  
Suite 1000, Montreal, QUEBEC, H3B2T9

## TRADEMARK DETAILS

# and can't remember

### Trademark Type

Standard Characters

### Goods

#### Class 09

(1) Novelty items, namely mouse pads and fridge magnets

#### Class 14

(2) key chains

#### Class 16

(3) Printed matter, namely, calendars, brochures, pamphlets, flyers and postcards; Stationery, namely, letterhead paper, paper, note pads, labels, binders and paper folders; stickers; bumper stickers; greeting cards; note cards; writing pencils; pens; novelty paper flags; paper banners

#### Class 18

(4) Bags, namely, luggage and all-purpose carrying bags, suitcases, travelling bags, messenger bags, back packs, sports bags, waist bags and school bags

#### Class 21

(5) Novelty items, namely coffee mugs, travel cups, water bottles

#### Class 24

(6) Novelty items, namely banners of textile or plastic

#### Class 25

(7) Clothing, namely, shirts, t-shirts, polo shirts, hoodies, tank tops, jackets, sweaters, sweat shirts, shorts, sweat pants, ties, scarves, athletic wear, hockey jerseys, beachwear, exercise clothing, golf wear, gym wear, socks and underwear; caps, hats, and toques

#### Class 26

(8) Novelty items, namely novelty buttons

#### Class 28

(9) Sporting equipment, namely, snowboards, skateboards, baseball bats, soccer balls, golf balls, golf tees and golf bags; novelty items, namely party balloons

**Application Number** 1,880,132  
**Language of Application** English

**Filing Date** 2018-01-29

## APPLICANT AND AGENT DETAILS

### Applicant

Flexport, Inc.  
501 Folsom Street, Suite 300  
San Francisco , CA 94105  
UNITED STATES OF AMERICA

### Agent

BORDEN LADNER GERVAIS LLP  
World Exchange Plaza, 100 Queen Street,  
Suite 1300, Ottawa, ONTARIO, K1P1J9

## TRADEMARK DETAILS

# FLEXPORT

### Trademark Type

Standard Characters

### Services

#### Class 35

(1) freight management services, namely, shipment processing, preparing shipping documents and invoices; administrative processing of purchase orders

#### Class 36

(2) customs brokerage services

#### Class 39

(3) freight management services, namely tracking documents, packages and freight over computer networks, intranets, and the internet for business purposes; freight logistics management, namely, packing, crating and warehousing services; providing electronic tracking of freight information to others for business administration purposes; arranging for pickup, delivery, transportation of documents, packages, freight and parcels via ground and air carriers; arranging for physical storage of documents, packages, freight and parcels via ground and air carriers; freight logistics management, namely, freight forwarding services, freight brokerage, cargo handling

#### Class 42

(4) arranging for electronic storage of documents, packages, freight and parcels via ground and air carriers

#### Class 45

(5) regulatory submission management, namely, assisting others in preparing and filing documents related to customs with governmental regulatory bodies

### Claims

Priority Filing Date: August 01, 2017, Country or Office: UNITED STATES OF AMERICA,  
Application No: 87/552,052 in association with the same kind of services

**Application Number** 1,880,150  
**Language of Application** English

**Filing Date** 2018-01-29

## APPLICANT AND AGENT DETAILS

### Applicant

FUJIFILM North America Corporation  
200 Summit Lake Drive  
Valhalla, NY 10595  
UNITED STATES OF AMERICA

### Agent

CLARK WILSON LLP  
900 - 885 WEST GEORGIA STREET,  
VANCOUVER, BRITISH COLUMBIA, V6C3H1

## TRADEMARK DETAILS

# ILLUMINA

### Trademark Type

Standard Characters

### Foreign Character Translation

The translation provided by the applicant of the word(s) ILLUMINA is illuminate.

### Goods

#### Class 07

(1) Printing presses; offset printing machines, silk screen printing machines, and flexographic printing machines

#### Class 09

(2) Printing machines for commercial or industrial use, namely, printing machines for use on paper, film, and plastic, namely, colour printers, digital colour printers, and industrial inkjet printers; printing machine parts and supplies, namely electronic power supplies, namely, printer adapters and printer chargers, chillers to maintain temperature of printing machines, ink curing apparatus for printing machines, and housings to contain the aforementioned parts

### Claims

Priority Filing Date: December 08, 2017, Country or Office: UNITED STATES OF AMERICA,  
Application No: 87/713,056 in association with the same kind of goods



**Application Number** 1,881,382  
**Language of Application** English

**Filing Date** 2018-02-05

## **APPLICANT AND AGENT DETAILS**

### **Applicant**

SOTTO SOTTO RISTORANTE LTD.  
120 Avenue Road  
Toronto  
ONTARIO  
M5R2H4

### **Agent**

SMART & BIGGAR LLP  
1100-150 York street, TORONTO, ONTARIO,  
M5H3S5

## **TRADEMARK DETAILS**

# **SOTTO EXPRESS**

### **Trademark Type**

Word

### **Services**

#### **Class 35**

(1) on-line sales of products namely foods; the provision of food-ordering services through an on-line computer network; organisation, operation and supervision of loyalty and incentive schemes, namely, restaurant rewards program services

#### **Class 43**

(2) retail services in connection to the provision of food and drink, namely, restaurant services and take-out restaurant services; bar and catering services

**Application Number** 1,881,736  
**Language of Application** English

**Filing Date** 2018-02-06

## APPLICANT AND AGENT DETAILS

### Applicant

Qvella Corporation  
9133 Leslie St  
Richmond Hill  
ONTARIO  
L4B4N1

### Agent

HILL & SCHUMACHER  
264 AVENUE ROAD, TORONTO, ONTARIO,  
M4V2G7

## TRADEMARK DETAILS

# QVELLA

### Trademark Type

Word

### Goods

#### Class 01

(1) Diagnostic reagents, diagnostic preparations, assay controls, and assays for medical-scientific research.

#### Class 05

(2) Diagnostic reagents, diagnostic preparations, assay controls and assays for medical use and medical laboratory use; cartridges containing diagnostic reagents for medical use, cartridges containing diagnostic reagents for sample preparation for medical use; medical diagnostic assay kits for medical use comprising diagnostic reagents, assay controls, and assay cartridges for diagnostic testing of biological samples, namely, bodily fluids.

#### Class 09

(3) Scientific instruments for biological testing, biological sample processing, scientific research, and laboratory use, namely, automated scientific instruments for performing diagnostic assays and automated scientific instruments for performing sample preparation for scientific research use; kits comprising scientific instruments, namely, automated scientific instruments for performing diagnostic assays and automated scientific instruments for performing sample preparation for diagnostic testing, assays and diagnostic reagents for diagnostic biological testing, and for biological sample processing for diagnostic testing, all for medical-scientific research.

#### Class 10

(4) Medical instruments for performing in-vitro diagnostic assays; medical instruments for processing biological samples, namely, bodily fluids; kits comprising scientific instruments, namely, automated scientific instruments for performing diagnostic assays and automated scientific instruments for performing sample preparation for diagnostic testing, assays and diagnostic reagents for diagnostic biological testing, and for biological sample processing for diagnostic testing, all for medical laboratory use.

### Services

#### Class 42

(1) Scientific research for medical purposes in the fields of in-vitro diagnostics, microbiology and infectious diseases; scientific research in the field of life sciences; consultancy services in the field of custom development of diagnostic assays; consultancy services in the field of biological sample processing.

**Class 44**

(2) Medical diagnostic testing services.

**Claims**

Priority Filing Date: August 06, 2017, Country or Office: UNITED STATES OF AMERICA,  
Application No: 87/557,724 in association with the same kind of goods and in association with the same kind of services

**Application Number** 1,881,821  
**Language of Application** English

**Filing Date** 2018-02-07

## APPLICANT AND AGENT DETAILS

### Applicant

Recipe Unlimited Corporation  
199 Four Valley Dr  
Vaughan  
ONTARIO  
L4K0B8

### Agent

JENNIFER MCKAY  
(Dentons Canada LLP), 99 Bank Street, Suite  
1420, Ottawa, ONTARIO, K1P1H4

## TRADEMARK DETAILS

# OWENS LANDING

### Trademark Type

Word

### Goods

#### Class 09

(1) electronic menus;

#### Class 16

(2) printed menus; gift cards;

#### Class 21

(3) mugs; drink coasters;

#### Class 25

(4) T-shirts; caps;

### Services

#### Class 35

(1) promoting restaurant and bar services through promotional contests and the distribution of related printed material; promoting the sale of goods and services through consumer loyalty programs; providing information over the Internet in the field of offering technical assistance establishment and operation of restaurant franchises; providing information over the Internet in the field of offering technical assistance in the establishment and operation of restaurant franchises

#### Class 36

(2) providing information over the Internet in the field of issuance of pre-paid gift cards;

#### Class 43

(3) Restaurant and bar services; take-out restaurant services

**Application Number** 1,881,961  
**Language of Application** English

**Filing Date** 2018-02-07

## APPLICANT DETAILS

### Applicant

John Davis  
2216 Stanley St  
Nelson  
BRITISH COLUMBIA  
V1L5W2

## TRADEMARK DETAILS

### Trademark Type

Design

### Visual Representation



### Colour Claim

Color is claimed as a feature of the trademark. The trademark is a representation of the sun in yellow and white, on a black background. KOOTENAY GENETICS in black letters appears centered in front of the sun and has orange and red flames over the name.

### Goods

#### Class 05

(1) Cannabis oil to treat nausea, insomnia and pain.

#### Class 31

(2) Cannabis seed and cannabis clones.

#### Class 34

(3) Dried cannabis.

**Application Number** 1,882,021  
**Language of Application** English

**Filing Date** 2018-02-08

## APPLICANT AND AGENT DETAILS

### Applicant

Shenzhen Times Innovation Technology Co.,  
Ltd.  
Room 03, 6/F, Building 3, WINLEAD, Fada  
Road  
Bantian Street, Longgang District  
Shenzhen City, Guangdong Province  
CHINA

### Agent

AVENTUM IP LAW LLP  
SUITE 830, TOWER B, , 555 LEGGET DRIVE,  
OTTAWA, ONTARIO, K2K2X3

## TRADEMARK DETAILS

### Trademark Type

Design

### Visual Representation

# Baseus

### Services

#### Class 35

Retail and wholesale of mobile phone peripheral products namely, mobile phone cases, covers, cables, chargers, screen protector, selfie stick, mobile phone support and portable power via retail stores; Retail and wholesale of computer peripheral products namely, carrying cases for mobile computers, covers for tablet computers, computer monitor screen protectors, stands adapted for laptops and computer peripheral devices via retail stores; Retail and wholesale of cabinets for loudspeakers, audio mixers, headphones, video recorders, cameras cover, navigation apparatus for vehicles [on-board computers] and subwoofers via retail stores.

**Application Number** 1,882,437  
**Language of Application** English

**Filing Date** 2018-02-09

## APPLICANT AND AGENT DETAILS

### Applicant

Twentieth Century Fox Film Corporation  
10201 West Pico Boulevard  
Los Angeles, CA 90035  
UNITED STATES OF AMERICA

### Agent

ANDREWS ROBICHAUD  
1673 Carling Avenue, Suite 215, Ottawa,  
ONTARIO, K2A1C4

## TRADEMARK DETAILS

# TECHNOPROPS

### Trademark Type

Standard Characters

### Goods

#### Class 09

Computer software for use in the creation and development of digital animation and special effects; photographic equipment, namely still cameras, video cameras, camera booms, camera cranes and camera lights; headgear and body harness to physically support photographic equipment; helmets for use with photographic equipment; virtual camera hardware; software for use in operating a virtual camera; camera batteries and camera battery chargers; computer hardware for capturing and processing motion of animate and inanimate objects; computer hardware and software for capturing and processing data used for visual effects and animation in multimedia content, namely, film, television programs, trailers, images, video games, animations, virtual reality, holograms, and projections

### Services

#### Class 42

Animation and special effects design for others; design and development of software to implement special and visual effects; design and development of hardware to capture motion of animate and inanimate objects

**Application Number** 1,882,438  
**Language of Application** English

**Filing Date** 2018-02-09

## APPLICANT AND AGENT DETAILS

### Applicant

Twentieth Century Fox Film Corporation  
10201 West Pico Boulevard  
Los Angeles, CA 90035  
UNITED STATES OF AMERICA

### Agent

ANDREWS ROBICHAUD  
1673 Carling Avenue, Suite 215, Ottawa,  
ONTARIO, K2A1C4

## TRADEMARK DETAILS

### Trademark Type

Design

### Visual Representation



### Goods

#### Class 09

Computer software for use in the creation and development of digital animation and special effects; photographic equipment, namely still cameras, video cameras, camera booms, camera cranes and camera lights; headgear and body harness to physically support photographic equipment; helmets for use with photographic equipment; virtual camera hardware; software for use in operating a virtual camera; camera batteries and camera battery chargers; computer hardware for capturing and processing motion of animate and inanimate objects; computer hardware and software for capturing and processing data used for visual effects and animation in multimedia content, namely, film, television programs, trailers, images, video games, animations, virtual reality, holograms, and projections

### Services

#### Class 42

Animation and special effects design for others; design and development of software to implement special and visual effects; design and development of hardware to capture motion of animate and inanimate objects



**Application Number** 1,882,454  
**Language of Application** English

**Filing Date** 2018-02-09

## APPLICANT AND AGENT DETAILS

### Applicant

FightTheStroke  
via Cristoforo Gluck 35  
I-20125 Milano  
ITALY

### Agent

DLA PIPER (CANADA) LLP  
Suite 2800, PARK PLACE, 666 BURRARD  
STREET, VANCOUVER, BRITISH  
COLUMBIA, V6C2Z7

## TRADEMARK DETAILS

### Trademark Type

Design

### Visual Representation



### Colour Claim

Colour is claimed as a feature of the trade-mark. The colours Orange, Purple and White are a feature of the mark. The mark consists of an orange circle which contains four small white geometric shapes: a cross, a square, a circle and a curved diamond above a purple hand overlapped by a white hand. To the right of the circle design is the word 'mirrorable', of which 'mirror' is purple and 'able' is orange.

### Goods

#### Class 16

Printed publications, namely, books, magazines, comic books, colouring books, posters, calendars, pamphlets and brochures in the fields of neuromuscular diseases and disorders, namely, cerebrovascular accident (stroke) and brain diseases and disorders, namely, cerebral palsy, epilepsy, Alzheimer's, Parkinson's disease, multiple sclerosis

### Services

#### Class 36

(1) Fundraising services; Providing educational scholarships; Charitable fund raising campaigns

#### Class 41

(2) Organization of congresses and events, namely, day camps, seminars, working groups, research groups and conventions, for supporting babies affected by paediatric strokes and their families; Providing of training in the field of disorders, namely, cerebrovascular accident (stroke) and brain diseases and disorders, namely, cerebral palsy, epilepsy, Alzheimer's, Parkinson's disease, multiple sclerosis; Arranging and conducting of courses, colloquiums and conferences in the fields of neuromuscular diseases and disorders, namely, cerebrovascular accident (stroke) and brain diseases and disorders, namely, cerebral palsy, epilepsy, Alzheimer's, Parkinson's disease,

multiple sclerosis; Publishing services, namely, book publishing, desktop publishing, magazine publishing, newspaper publishing; publishing of audio books, books, magazines; Audio and video recording services; Arranging and conducting science competitions

**Class 42**

(3) Medical research services

**Class 45**

(4) Providing personal support for babies affected by paediatric strokes and their families

**Application Number** 1,882,764  
**Language of Application** English

**Filing Date** 2018-02-12

## APPLICANT AND AGENT DETAILS

### Applicant

adp Gauselmann GmbH  
Merkur-Allee 1-15  
32339  
Espelkamp  
GERMANY

### Agent

NEXUS LAW GROUP LLP  
777 Hornby Street, Suite 2000, Vancouver,  
BRITISH COLUMBIA, V6Z1S4

## TRADEMARK DETAILS

# JOLLY'S CAP

### Trademark Type

Word

### Goods

#### Class 09

(1) Computer games; video games; downloadable software for playing computer games via web browser, gaming console, cellular phone, and wireless video gaming device; software for playing video games; downloadable computer games provided through a global computer network, supplied by means of multimedia electronic broadcast, through telecommunications and electronic transmission, and via the internet; computer games and video games, all being provided in the form of storage media; computer software for operating computer games on the internet; computer games software for playing online betting games, online prize games, online gambling games, online games of skill and online casino games; calculators in coin-operated amusement electronic games and parts therefor; games software for playing games on casino games, amusement arcade games, gaming machines, slot machines, and video lottery gaming machines; coin and banknote proofing machines and machines for verifying identification cards and credit cards; gaming software that generates and displays wager outcomes of gaming machines.

#### Class 28

(2) Gaming machines; games for amusement arcades; coin-operated video gaming machines, networked and unnetworked; video games adapted for use with external screens and monitors only; casino fittings, namely roulette tables, roulette wheels; automatic lottery draw machines; coin-operated automatic gaming machines and gaming machines, in particular for gaming arcades, with and without a prize payout; electronic and electrotechnical gaming machines, games machines and slot machines, networked and unnetworked, operated by coins, tokens, banknotes, tickets and by means of electronic, magnetic and biometric storage media, in particular for commercial use in casinos and amusement arcades, with and without a prize payout; automatic gaming machines and gaming machines, in particular for commercial use in casinos and gaming arcades, with and without a prize payout; coin-operated gaming machines and electronic money-based gaming machines, with and without prizes; cabinets adapted for gaming machines and automatic gaming machines, networked and unnetworked, operated by means of coins, tokens, tickets and by means of electronic, magnetic and biometric storage media, in particular for commercial use in casinos and gaming arcades, with and without a prize payout; machines, networked and unnetworked, for

selecting winners in prize games and lotteries, draws and raffles; cabinets of metal, plastic and wood for coin-operated gaming machines; gaming tables, in particular for table football, billiards, sliding games; quoits (playthings) and darts; electric, electronic and electromechanical machines for bingo games, lotteries and video lottery games and for betting offices, networked and unnetworked; LCD games consoles; automatic gaming machines; apparatus and devices for accepting and storing money, being a component of gaming machines

**Claims**

Priority Filing Date: October 19, 2017, Country or Office: EUIPO (EU), Application No: 17369422 in association with the same kind of goods

**Application Number** 1,882,982  
**Language of Application** English

**Filing Date** 2018-02-13

## APPLICANT AND AGENT DETAILS

### Applicant

ONETWOSIX Design Inc.  
12914 146 St NW  
Edmonton  
ALBERTA  
T5L2H7

### Agent

GREGORY K. PANG  
(RedFrame Law), Unit 605, 10080 Jasper Ave  
NW, Edmonton, ALBERTA, T5J1V9

## TRADEMARK DETAILS

# LOOP

### Trademark Type

Word

### Goods

#### Class 06

(1) Phone booths, made of metal; privacy pods made of metal; metal acoustic wall panels; metal movable acoustic wall partitions.

#### Class 09

(2) Noise cancelling devices, namely speakers.

#### Class 19

(3) Telephone booths not of metal, non-metal privacy pods, non-metal privacy booths; non-metal acoustic wall panels; non-metal movable acoustic wall partitions; noise cancelling devices, namely ductwork device with mechanical components and louvers to cancel noise but allowing airflow pass through.

#### Class 20

(4) Office furniture.

**Application Number** 1,883,128  
**Language of Application** English

**Filing Date** 2018-02-14

## APPLICANT AND AGENT DETAILS

### Applicant

Kruger Inc.  
3285 Bedford Road  
Montreal  
QUEBEC  
H3S1G5

### Agent

GOWLING WLG (CANADA) LLP  
SUITE 1600, 1 FIRST CANADIAN PLACE, 100  
KING STREET WEST, TORONTO, ONTARIO,  
M5X1G5

## TRADEMARK DETAILS

### Trademark Type

Design

### Visual Representation



### Goods

#### Class 16

Coated and uncoated paper for use in commercial manufacturing namely paper for packaging, lining papers for wrapping; absorbent, humidity and grease control paper for food service containers and food stuff packaging

### Services

#### Class 39

(1) Distribution by truck, rail and ship of coated and uncoated paper products for use by and to the specification of others namely paper for packaging, lining papers for wrapping, absorbent, humidity and grease control paper for food service containers and foodstuff packaging

#### Class 40

(2) Manufacture of coated and uncoated paper products use by and to the specification of others in industry and other commercial manufacturing namely, paper for packaging, lining papers for wrapping, absorbent, humidity and grease control paper for food service containers and foodstuff packaging

**Application Number** 1,883,247  
**Language of Application** French

**Filing Date** 2018-02-14

## **APPLICANT DETAILS**

### **Applicant**

9110-5791 QUÉBEC INC.  
505 Maisonneuve West Suite 1001  
Montreal  
QUÉBEC  
H3A3C2

## **TRADEMARK DETAILS**

### **Trademark Type**

Design

### **Visual Representation**



### **Services**

#### **Class 39**

Rental of mini storage spaces.

**Application Number** 1,883,635  
**Language of Application** English

**Filing Date** 2018-02-16

## APPLICANT AND AGENT DETAILS

### Applicant

Bacardi & Company Limited  
5 Aeulestrasse  
9490, Vaduz  
LIECHTENSTEIN

### Agent

GOWLING WLG (CANADA) LLP  
1 MAIN STREET WEST, HAMILTON,  
ONTARIO, L8P4Z5

## TRADEMARK DETAILS

### Trademark Type

Position

### Visual Representation



### Trademark Description

The trademark consists of the position of a black and white label design with the word "CORZO" applied to the middle of the three-dimensional bottle and a second, vertical, black and white design of the cap, as shown in the visual representation. The bottle shown in dashed lines does not form part of the trademark but is included merely to show the positioning of the design drawing.

### Foreign Character Translation

As confirmed by the applicant, CORZO translates from Spanish into English as ROE DEER (a kind of animal).

### Goods

#### Class 33

Alcoholic beverages, namely Tequila

### Claims

Priority Filing Date: October 12, 2017, Country or Office: LIECHTENSTEIN, Application No: 2017-909 in association with the same kind of goods



**Application Number** 1,883,774  
**Language of Application** English

**Filing Date** 2018-02-19

## APPLICANT AND AGENT DETAILS

### Applicant

KOI International Besloten Vennootschap  
Krijn Taconiskade 440  
1087 HW Amsterdam  
NETHERLANDS

### Agent

BORDEN LADNER GERVAIS LLP  
World Exchange Plaza, 100 Queen Street,  
Suite 1300, Ottawa, ONTARIO, K1P1J9

## TRADEMARK DETAILS

# Kings of Indigo

### Trademark Type

Word

### Goods

#### Class 18

(1) Leather and imitations of leather; leather straps; garment bags for travel, beauty-cases, namely, cosmetic cases sold empty; backpacks, school bags; sporting bags, traveling bags, handbags, purses, attaché cases, briefcases, shopping bags and suitcases with wheels attached, wallets, pocket wallets, change purses, leatherware key cases, calling card cases, credit card cases, name card cases, business card cases, passport and document wallets, cases and holders of cosmetic articles, namely, cosmetic cases sold empty; cases for manicure sets sold empty; umbrellas

#### Class 25

(2) Clothing, namely, jeans, trousers, shirts, t-shirts, sweats, namely, sweat pants and sweat shirts; skirts, socks, stockings, jackets, coats, shorts, blouses, sweaters; shawls; baby clothes, namely, t-shirts, infant trousers, jeans, shirts, skirts, socks, stockings, jackets, coats, shorts, blouses; rainwear and warm-up suits; ski-wear; undergarments; footwear, namely, shoes, sports shoes, boots, headgear, namely, hats, caps; leather belts

**Application Number** 1,883,970  
**Language of Application** English

**Filing Date** 2018-02-20

## APPLICANT AND AGENT DETAILS

### Applicant

601675 Saskatchewan Ltd.  
26 Great Plains Rd  
Emerald Park  
SASKATCHEWAN  
S4L1B6

### Agent

MILLER THOMSON LLP  
Suite 300, 15 - 23rd Street East, Saskatoon,  
SASKATCHEWAN, S7K0H6

## TRADEMARK DETAILS

# SUN DOCTOR

### Trademark Type

Word

### Goods

#### Class 09

(1) Solar panels for the production of energy, photovoltaic panels and other equipment included in solar and photovoltaic systems, namely, silicon, metal ingots, solar wafers, solar cells and solar modules, and photovoltaic cells; transfer devices, namely, transformer apparatus for converting and transferring solar radiation to electrical energy; distribution equipment, namely, consoles, panels, switchgears and control gears for use in the conversion, transport and distribution of electric power; concentrator systems, namely, solar concentrators; metering devices, namely, electronic sensors for measuring solar radiation and power; monitoring devices, namely, electronic sensors for monitoring solar radiation and power; solar batteries, storage devices, namely, batteries for storage of solar radiation; solar cells and solar panel joints; electrical converters; solar junction boxes; combiners, namely, electrical devices that combine power from different sources and integrate such power into a single output power line; computer hardware for controlling electricity created from solar panels; computer software for monitoring energy outputs from solar systems

#### Class 16

(2) Solar design and training equipment, namely, equipment used in the design of solar energy systems and for training persons in the design and installation of solar energy systems, namely books, manuals, brochures and booklets, pre-recorded CDS, pre-recorded DVDs and software concerning the design and installation of solar energy systems

### Services

#### Class 37

(1) Installation of solar energy systems and alternative energy systems, namely, solar collectors, solar heating panels, and non-metal roofing incorporating solar cells for residential and commercial use

#### Class 40

(2) Wholesale and retail sale of renewable energy, namely, energy generated from solar energy

**Class 42**

(3) Energy efficiency consultation services

**Application Number** 1,884,294  
**Language of Application** French

**Filing Date** 2018-02-21

## APPLICANT AND AGENT DETAILS

### Applicant

9358-3433 Québec inc.  
1554 3e Avenue  
Québec  
QUÉBEC  
G1L2Y5

### Agent

ROBIC  
630, boul. René-Lévesque Ouest, 20e étage,  
Montréal, QUÉBEC, H3B1S6

## TRADEMARK DETAILS

# MOS

### Trademark Type

Standard Characters

### Goods

#### Class 12

(1) Mécanisme de chargement et de déchargement manuel à installer sur des barres transversales de porte-bagages de toit pour fixer et transporter des coffres de toit et divers types d'équipement de sport, y compris ce qui suit : skis, planches à neige, vélos, canots, kayaks, planches de surf, planches à bras, planches à pagayer debout, planches à voile; accessoires et équipement connexe, nommément porte-bagages de toit d'automobile, barres de toit de véhicule, pour un mécanisme de chargement et de déchargement manuel à installer sur des barres transversales de porte-bagages de toit pour la fixation et le transport de boîtes à marchandises et de divers types d'équipement de sport, y compris de ce qui suit : skis, planches à neige, vélos, canots, kayaks, planches de surf, planches à bras, planches à pagayer debout, planches à voile.

#### Class 18

(2) Sacs de sport, sacs de randonnée pédestre; accessoires et équipement connexe pour un mécanisme de chargement et de déchargement installé sur les barres transversales d'un porte-bagages de toit pour fixer et transporter un coffre de toit et divers types d'équipement de sport, nommément sangles à bagages.

#### Class 20

(3) Accessoires et équipement connexe pour un mécanisme de chargement et de déchargement installé sur les barres transversales d'un porte-bagages de toit pour fixer et transporter un coffre de toit et divers types d'équipement de sport, nommément boîtes de rangement en plastique.

#### Class 21

(4) Bouteilles à eau vendues vides, tasses.

**Application Number** 1,884,381  
**Language of Application** English

**Filing Date** 2018-02-21

## APPLICANT AND AGENT DETAILS

### Applicant

Eva Cabanes Domenech  
Calle Del Freixe, No. 10, Urb. Masia Boronat  
El Catllar Tarragona 43764  
SPAIN

### Agent

KIRSTEN SEVERSON  
(KLS TRADEMARK SERVICES), PO BOX  
19126, 4TH AVENUE POSTAL OUTLET,  
VANCOUVER, BRITISH COLUMBIA, V6K4R8

## TRADEMARK DETAILS

### Trademark Type

Design

### Visual Representation



### Goods

#### Class 05

(1) Pharmaceuticals, medical and veterinary preparations namely, veterinary products intended to improve the gut health of livestock (poultry, pigs and ruminants); Sanitary preparations for medical purposes namely, antiseptic preparations for medical purposes; Dietetic food and substances adapted for medical or veterinary use namely, dietetic substances consisting of vitamins, minerals, amino acids and trace elements to be included in the livestock diet; food for babies; Dietary supplements for humans and animals namely, food supplements consisting of amino acids; food supplements consisting of trace elements; pet food additives in the form of vitamin and mineral supplements for general health; pet food additives in the form of vitamins and minerals to support general health; Dietary supplements for veterinary use namely, food supplements consisting of amino acids; food supplements consisting of trace elements; pet food additives in the form of vitamin and mineral supplements for general health; pet food additives in the form of vitamins and minerals to support general health; Plasters, materials for dressings namely, adhesive plasters for medical purposes; antifungal creams for medical use, bandages for dressings, cotton wool for medical purposes; Material for stopping teeth, dental wax; Disinfectants namely, all-purpose disinfectants; Preparations for destroying noxious animals; Fungicides, herbicides; Linseed oil

dietary supplements; Albumin dietary supplements; Alginate dietary supplements; Casein dietary supplements; Wheat germ dietary supplements; Glucose dietary supplements; Royal jelly dietary supplements; Lecithin dietary supplements; Yeast dietary supplements; Linseed dietary supplements; Pollen dietary supplements; Propolis dietary supplements; Protein dietary supplements; Linseed dietary supplements; Mineral food supplements; Food supplements for non-medical purposes namely, amino acids; food supplements consisting of trace elements; pet food additives in the form of vitamin and mineral supplements for general health; pet food additives in the form of vitamins and minerals to support general health; Dietary supplements for animals namely, bee pollen for use as a dietary food supplement; Health food supplements made principally of minerals; Health food supplements made principally of vitamins; Nutritional supplements namely, vitamin and mineral supplements for the general health of animals.

**Class 29**

(2) Meat, fish, poultry and game; Meat extracts; Preserved, frozen, dried and cooked fruits and vegetables namely, preserved fruits & vegetables; Jellies, jams, compotes; Eggs; Milk and milk products; Oils and fats namely, Edible oil, olive oil; Dried nuts; Flavoured nuts; Candied nuts; Preserved nuts; Seasoned nuts; Nuts being cooked, namely, roasted nuts and salted roasted nuts Spiced nuts; Oils for food.

**Claims**

Priority Filing Date: August 21, 2017, Country or Office: EUIPO (EU), Application No: 17128951 in association with the same kind of goods

**Application Number** 1,884,420  
**Language of Application** English

**Filing Date** 2018-02-22

## APPLICANT AND AGENT DETAILS

### Applicant

TOYO INK SC HOLDINGS CO., LTD.  
2-1, Kyobashi 2-chome  
Chuo-ku, Tokyo  
JAPAN

### Agent

GOWLING WLG (CANADA) LLP  
SUITE 2600, 160 ELGIN STREET, OTTAWA,  
ONTARIO, K1P1C3

## TRADEMARK DETAILS

### Trademark Type

Design

### Visual Representation



### Goods

#### Class 02

(1) Dyestuffs; color masterbatches that contain high-density pigments in the form of pellets, granules or pastes for use in the manufacture of plastic colorants, molding plastics; pigments for use in the manufacture of food, paint, paper, pharmaceuticals, printing ink, plastics, cosmetics, beverages, textiles, leathers, electronic circuit boards, electronic conductors, electronic parts, cell phones, tablets, scanners, computers, cameras, electronic displays; colorants for use in the manufacture of food, paint, paper, pharmaceuticals, printing ink, plastics, cosmetics, beverages, textiles, leathers, electronic circuit boards, electronic conductors, electronic parts, cell phones, tablets, scanners, computers, cameras, electronic displays; paints for industrial equipment and machinery, paints for use on packaging and containers, paints for use on automobiles, magazines, newspapers, books, newsletters, pamphlets and brochures; varnishes for industrial equipment and machinery, varnishes for use on packaging and containers, varnishes for use on automobiles, magazines, newspapers, books, newsletters, pamphlets and brochures; lacquers for industrial equipment and machinery, lacquers for use on packaging and containers, lacquers for use on automobiles, magazines, newspapers, books, newsletters, pamphlets and brochures; printing inks.

#### Class 17

(2) Insulating materials for use in electrical and electronic industry, namely, electrical insulation; plastic sheeting for agricultural purposes; synthetic resin sheets with adhesives; plastics in extruded form for use in manufacture; plastic sheets, synthetic resins and fibers in the form of granules, pellets, fibers, sheets, pastes or films for electromagnetic shielding; plastic films or sheets with a conductive layer for printed circuits, electronic circuit board, electronic components, computers, electronic displays; anti-reflection films for printed circuits, electronic circuit board, electronic components, computers, electronic displays; incombustible plastics in the form of granules, pellets, fibers, sheets, pastes or films for use in manufacture; semi-processed plastics

which contain functional chemical materials in the form of granules, pellets, fibers, sheets, pastes or films; semi-processed plastic substances; plastic semi-worked products, namely semi-processed plastics.



**Application Number** 1,884,505  
**Language of Application** English

**Filing Date** 2018-02-22

## APPLICANT AND AGENT DETAILS

### Applicant

Sartorius Stedim Data Analytics AB  
Östra Strandgatan 24  
903 33 Umeå  
SWEDEN

### Agent

PIASETZKI NENNIGER KVAS LLP  
SUITE 2308, 120 ADELAIDE STREET WEST,  
TORONTO, ONTARIO, M5H1T1

## TRADEMARK DETAILS

# MODDE

### Trademark Type

Word

### Goods

#### Class 09

Computer software for designing, monitoring, and analysing experiments in product or process development for scientific and research purposes, for management purposes and for industrial engineering purposes

### Services

#### Class 41

(1) Education services, namely, conducting seminars, classes or workshops in the field of computer software, educational training in the field of computer software; arranging of educational training in the field of computer software

#### Class 42

(2) Software development; software installation; software consultancy services; computer software maintenance; computer software technical support services, namely, troubleshooting of computer software problems, troubleshooting in the nature of diagnostic computer software problems

**Application Number** 1,884,717  
**Language of Application** English

**Filing Date** 2018-02-23

## APPLICANT AND AGENT DETAILS

### Applicant

SCHRÉDER, Société Anonyme  
Rue de Lusambo, 67  
1190 Brussels  
BELGIUM

### Agent

LAVERY, DE BILLY, LLP  
1 Place Ville Marie, Suite 4000, Montréal,  
QUEBEC, H3B4M4

## TRADEMARK DETAILS

# SCHREDER LIGHTABILITY

### Trademark Type

Standard Characters

### Goods

#### Class 09

(1) Electronic control gears [ECGs] for LED lamps and light fixtures; motion sensors for security lights; light regulators [dimmers], electric; radio signal antennas for wireless reception, storage and transmission of data for modular and interactive lighting installations offering smart connected services namely wireless internet, cameras, loudspeakers, electric vehicle charges, SOS intercom, 4G/5G base stations, pollution sensors, sound transmitting systems, motion detectors, network IP speakers, SOS intercoms, 4G/5G base stations, pollution sensors, sound transmitting systems, motion detectors, network IP speakers; computer interface software for modular and interactive lighting installations offering smart connected services namely wireless internet, cameras, loudspeakers, electric vehicle charges, SOS intercoms, 4G/5G base stations, pollution sensors, sound transmitting systems, motion detectors, network IP speakers; electronic apparatus for wireless reception, storage and transmission of data and messages for modular and interactive lighting installations offering smart connected services namely wireless internet, cameras, loudspeakers, electric vehicle charges, SOS intercoms, 4G/5G base stations, pollution sensors, sound transmitting systems, motion detectors, network IP speakers namely electric and electronic video surveillance installations and electrical control systems for lighting systems; apparatus for the input, output, transmission and storage of data for modular and interactive lighting installations offering smart connected services namely wireless internet, cameras, loudspeakers, electric vehicle charges, SOS intercoms, 4G/5G base stations, pollution sensors, sound transmitting systems, motion detectors, network IP speakers namely computer central processing units and computer network switches for lighting systems; air analysis apparatus namely particle counters for measuring air quality; electrical charge controllers for modular and interactive lighting installations offering smart connected services namely wireless internet, cameras, loudspeakers, electric vehicle charges, SOS intercoms, 4G base stations, pollution sensors, sound transmitting systems, motion detectors, network IP speakers; wireless controllers to monitor and control the functioning of electronic devices namely light switches for modular and interactive lighting installations offering smart connected services namely wireless internet, cameras, loudspeakers, electric vehicle charges, SOS intercoms, 4G/5G base stations, pollution sensors, sound transmitting systems, motion detectors, network IP speakers; electrical control, testing and monitoring apparatus namely electrical control systems for lighting systems, electric and electronic

video surveillance installations, motion sensors for security lights, electric control panels and lighting control panels, optical sensors, electric connectors, temperature sensors, distance sensors, electrical transformers, for modular and interactive lighting installations offering smart connected services namely wireless internet, cameras, loudspeakers, electric vehicle charges, SOS intercoms, 4G/5G base stations, pollution sensors, sound transmitting systems, motion detectors, network IP speakers; measuring and control apparatus and instruments namely electronic measuring detectors, for modular and interactive lighting installations offering smart connected services namely wireless internet, cameras, loudspeakers, electric vehicle charges, SOS intercoms, 4G/5G base stations, pollution sensors, sound transmitting systems, motion detectors, network IP speakers; surveying instruments to analyze and to test modular and interactive lighting installations offering smart connected services namely wireless internet, cameras, loudspeakers, electric vehicle charges, SOS intercoms, 4G/5G base stations, pollutions sensors, sound transmitting systems, motion detectors, network IP speakers; closed circuit TV systems for security and surveillance, namely, cameras, switchers, monitors, microphones, and recorders for modular and interactive lighting installations offering smart connected services namely wireless internet, cameras, loudspeakers, electric vehicle charges, SOS intercoms, 4G/5G base stations, pollution sensors, sound transmitting systems, motion detectors, network IP speakers; electronic equipment, namely, transformers, cables used in connection with computers, televisions, audiovideo equipment, closed-circuit TV equipment and telecommunication equipment namely computer hardware for telecommunications, for modular and interactive lighting installations offering smart connected services namely wireless internet, cameras, loudspeakers, electric vehicle charges, SOS intercoms, 4G/5G base stations, pollution sensors, sound transmitting systems, motion detectors, network IP speakers; radio transmitters, receivers, and controllers for monitoring and controlling public lighting; wireless controllers to remotely monitor and control the function and status of other electrical, electronic, and mechanical devices and systems, namely lighting systems excluding gaming apparatus; illumination regulators; intercommunication apparatus namely transceivers for remote controls, for lighting installations; motion sensors for security lights; sensors and detectors for lighting installations; measuring sensors for lighting installations; light systems comprising light sensors and switches; humidity sensors with integrated digital and analogue output circuitry used in appliance and light industrial applications to sense both relative humidity and temperature environmental conditions; environmental monitoring system comprised of meters and sensors that measure pressure, humidity, temperature and includes alarm and reporting functions for modular and interactive lighting installations offering smart connected services namely wireless internet, cameras, loudspeakers, electric vehicle charges, SOS intercoms, 4G/5G base stations, pollution sensors, sound transmitting systems, motion detectors, network IP speakers; electronic sensors for measuring solar radiation; day and night vision systems primarily comprising day and night sensors, day and night cameras, power sources, communication means namely communications computers, monitors and operating software for lighting installations; active infra-red sensors for modular and interactive lighting installations offering smart connected services namely wireless internet, cameras, loudspeakers, electric vehicle charges, SOS intercoms, 4G/5G base stations, pollution sensors, sound transmitting systems, motion detectors, network IP speakers; sensors for the determination of temperatures, positions and distances for modular and interactive lighting installations; telecommunications hardware namely computer hardware for telecommunications, and telecommunications software for monitoring and alerting remote sensor status via the Internet; LED lighting controls for remote monitoring and remote control of outdoor lighting fixtures and for the control of illumination systems; hardware platforms for sustainable mobility namely digital signal processors, digital sound processors and digital voice signal processors.

**Class 11**

(2) Lanterns for lighting; LED lights; light fittings; light fixtures; lighting apparatus namely electric lamps, ceiling lights, lighting diffusers, street lamps, fairy lights for festive decoration, luminaires, light diffusers; light diffusers; lighting installations; light panels; light projectors; mood lights; solar lights; wall lights; lightemitting diode [LED] lights; light-emitting diode [LED] lighting fixtures; light-emitting diode [LED] lighting installations; light-emitting diode [LED] mood lights; light-emitting diodes [LED] lighting apparatus namely LED landscape lights, LED luminaires, LED light bulbs, LED Flash lights, for modular and interactive lighting installations offering smart connected services namely wireless internet, cameras, loudspeakers, electric vehicle charges, SOS intercoms, 4G/5G base stations, pollution sensors, sound transmitting systems, motion detectors, network IP speakers; lamp reflectors; ceiling light; ceiling light fittings; light-emitting diode [LED] luminaires; luminous tubes for lighting; outdoor light fittings; outdoor light fixtures; outdoor solar lights; wall light fixtures; wall light fittings; street lamps; lamps for outdoor use; infrared lighting fixtures; landscape lighting installations; LED (light emitting diodes) lighting fixtures for use in display, commercial, industrial, residential, and architectural accent lighting applications; LED light assemblies for street lights, signs, commercial lighting, buildings, and other architectural uses; LED lighting fixtures for modular and interactive lighting installations offering smart connected services namely wireless internet, cameras, loudspeakers, electric vehicle charges, SOS intercoms, 4G/5G base stations, pollution sensors, sound transmitting systems, motion detectors, network IP speakers; LED modular and interactive lighting, namely, LED modules, power supplies, and wiring; lighting installations for sports arenas; lighting fixtures with motion detection for modular and interactive lighting installations offering smart connected services namely wireless internet, cameras, loudspeakers, electric vehicle charges, SOS intercoms, 4G/5G base stations, pollution sensors, sound transmitting systems, motion detectors, network IP speakers; luminaires, using light emitting diodes [LEDs] as a light source, for street or roadway lighting; outdoor lighting, namely, paver lights; solar light fixtures, namely, indoor and outdoor solar powered lighting units and fixtures; highway illumination assemblies namely highway lamp posts; filters for illumination apparatus namely lighting diffusers and light filters; red [LED] flashlights for illumination purposes; security lighting incorporating a heat activated sensor; security lighting incorporating a movement activated sensor; smart and interactive lighting systems to encourage social connectivity in towns and cities, innovative lighting solutions helping people to connect to their public and private social environments and lighting solutions for sustainable mobility namely street lamps, street lights and lighting diffusers offering smart connected services related to light.

**Services****Class 35**

(1) Business management; public relations; business management in the field of modular and interactive lighting systems offering smart connected services namely wireless internet, cameras, loudspeakers, electric vehicle charges, SOS intercoms, 4G/5G base stations, pollution sensors, sound transmitting systems, motion detectors, network IP speakers; organization for others of events, exhibitions and functions for commercial, promotional and advertising purposes in the field of modular and interactive lighting systems offering smart connected services namely wireless internet, cameras, loudspeakers, electric vehicle charges, SOS intercoms, 4G/5G base stations, pollution sensors, sound transmitting systems, motion detectors, network IP speakers; dissemination of advertisements and promotional and advertising material namely prospectuses, catalogs, printed matter, samples in the field of modular and interactive lighting systems offering smart connected services namely wireless internet, cameras, loudspeakers, electric vehicle charges, SOS intercoms, 4G/5G base stations, pollution sensors, sound transmitting systems, motion detectors, network IP speakers; commercial administration of licenses in the field of

modular and interactive lighting systems offering smart connected services namely wireless internet, cameras, loudspeakers, electric vehicle charges, SOS intercoms, 4G/5G base stations, pollution sensors, sound transmitting systems, motion detectors, network IP speakers; commercial information and advice for consumers in the field of modular and interactive lighting systems offering smart connected services namely wireless internet, cameras, loudspeakers, electric vehicle charges, SOS intercoms, 4G/5G base stations, pollution sensors, sound transmitting systems, motion detectors, network IP speakers; marketing studies in the field of modular and interactive lighting systems offering smart connected services namely wireless internet, cameras, loudspeakers, electric vehicle charges, SOS intercoms, 4G/5G base stations, pollution sensors, sound transmitting systems, motion detectors, network IP speakers.

#### **Class 41**

(2) Practical training [demonstration] in the field of modular and interactive lighting systems offering smart connected services; arranging and conducting of colloquiums, seminars and conferences in the field of modular and interactive lighting systems offering smart connected services; arranging of exhibitions for educational purposes in the field of modular and interactive lighting systems offering smart connected services; film production; publication of books, magazines, periodicals, brochures and catalogs in the field of modular and interactive lighting systems offering smart connected services; publication of texts other than publicity texts in the field of modular and interactive lighting systems offering smart connected services; electronic online publication of books, magazines and brochures in the field of modular and interactive lighting systems offering smart connected services.

#### **Claims**

Priority Filing Date: August 29, 2017, Country or Office: BELGIUM, Application No: 1359913 in association with the same kind of goods and in association with the same kind of services

**Application Number** 1,884,720  
**Language of Application** English

**Filing Date** 2018-02-23

## APPLICANT AND AGENT DETAILS

### Applicant

SCHRÉDER, Société Anonyme  
Rue de Lusambo, 67  
1190 Brussels  
BELGIUM

### Agent

LAVERY, DE BILLY, LLP  
1 Place Ville Marie, Suite 4000, Montréal,  
QUEBEC, H3B4M4

## TRADEMARK DETAILS

### Trademark Type

Design

### Visual Representation

LIGHTABILITY

## Goods

### Class 09

(1) Electronic control gears [ECGs] for LED lamps and light fixtures; motion sensors for security lights; light regulators [dimmers], electric; radio signal antennas reception, storage and transmission of data for modular and interactive lighting installations offering smart connected services namely wireless internet, cameras, loudspeakers, electric vehicle charges, SOS intercoms, 4G/5G base stations, pollution sensors, sound transmitting systems, motion detectors, network IP speakers; computer interface software for modular and interactive lighting installations offering smart connected services namely wireless internet, cameras, loudspeakers, electric vehicle charges, SOS intercoms, 4G/5G base stations, pollution sensors, sound transmitting systems, motion detectors, network IP speakers; electronic apparatus for wireless reception, storage and transmission of data and messages for modular and interactive lighting installations offering smart connected services namely wireless internet, cameras, loudspeakers, electric vehicle charges, SOS intercoms, 4G/5G base stations, pollution sensors, sound transmitting systems, motion detectors, network IP speakers namely electric and electronic video surveillance installations and electrical control systems for lighting systems; apparatus for the input, output, transmission and storage of data for modular and interactive lighting installations offering smart connected services namely wireless internet, cameras, loudspeakers, electric vehicle charges, SOS intercoms, 4G/5G base stations, pollution sensors, sound transmitting systems, motion detectors, network IP speakers, namely computer central processing units and computer network switches for lighting systems; air analysis apparatus namely particle counters for measuring air

quality; electrical charge controllers for modular and interactive lighting installations offering smart connected services namely wireless internet, cameras, loudspeakers, electric vehicle charges, SOS intercoms, 4G/5G base stations, pollution sensors, sound transmitting systems, motion detectors, network IP speakers; wireless controllers to monitor and control the functioning of electronic devices namely light switches, for modular and interactive lighting installations offering smart connected services namely wireless internet, cameras, loudspeakers, electric vehicle charges, SOS intercoms, 4G/5G base stations, pollution sensors, sound transmitting systems, motion detectors, network IP speakers; electrical control, testing and monitoring apparatus namely electrical control systems for lighting systems, electric and electronic video surveillance installations, motion sensors for security lights, electric control panels and lighting control panels, optical sensors, electric connectors, temperature sensors, distance sensors, electrical transformers, for modular and interactive lighting installations offering smart connected services namely wireless internet, cameras, loudspeakers, electric vehicle charges, SOS intercoms, 4G/5G base stations, pollution sensors, sound transmitting systems, motion detectors, network IP speakers; measuring and control apparatus and instruments namely electronic measuring detectors, for modular and interactive lighting installations offering smart connected services namely wireless internet, cameras, loudspeakers, electric vehicle charges, SOS intercoms, 4G/5G base stations, pollution sensors, sound transmitting systems, motion detectors, network IP speakers; surveying instruments to analyze and to test modular and interactive lighting installations offering smart connected services namely wireless internet, cameras, loudspeakers, electric vehicle charges, SOS intercoms, 4G/5G base stations, pollution sensors, sound transmitting systems, motion detectors, network IP speakers; closed circuit TV systems for security and surveillance, namely, cameras, switchers, monitors, microphones, and recorders for modular and interactive lighting installations offering smart connected services namely wireless internet, cameras, loudspeakers, electric vehicle charges, SOS intercoms, 4G/5G base stations, pollution sensors, sound transmitting systems, motion detectors, network IP speakers; electronic equipment, namely, transformers, cables used in connection with computers, televisions, audiovideo equipment, closed-circuit TV equipment and telecommunication equipment namely computer hardware for telecommunications, for modular and interactive lighting installations offering smart connected services namely wireless internet, cameras, loudspeakers, electric vehicle charges, SOS intercoms, 4G/5G base stations, pollution sensors, sound transmitting systems, motion detectors, network IP speakers; radio transmitters, receivers, and controllers for monitoring and controlling public lighting; wireless controllers to remotely monitor and control the function and status of other electrical, electronic, and mechanical devices or systems, namely lighting systems excluding gaming apparatus; illumination regulators; intercommunication apparatus namely transceivers for remote controls, for lighting installations; motion sensors for security lights; sensors and detectors for lighting installations; measuring sensors for lighting installations; light systems comprising light sensors and switches; humidity sensors with integrated digital and analogue output circuitry used in appliance and light industrial applications to sense both relative humidity and temperature environmental conditions; environmental monitoring system comprised of meters and sensors that measure pressure, humidity, temperature and includes alarm and reporting functions for modular and interactive lighting installations offering smart connected services namely wireless internet, cameras, loudspeakers, electric vehicle charges, SOS intercoms, 4G/5G base stations, pollution sensors, sound transmitting systems, motion detectors, network IP speakers; electronic sensors for measuring solar radiation; day and night vision systems primarily comprising day and night sensors, day and night cameras, power sources, communication means namely communications computers, monitors and operating software for lighting installations; active infra-red sensors for modular and interactive lighting installations offering smart connected services namely wireless internet, cameras, loudspeakers,

electric vehicle charges, SOS intercoms, 4G/5G base stations, pollution sensors, sound transmitting systems, motion detectors, network IP speakers; sensors for the determination of temperatures, positions and distances for modular and interactive lighting installations; telecommunications hardware namely computer hardware for telecommunications, and telecommunications software for monitoring and alerting remote sensor status via the Internet; LED lighting controls for remote monitoring and remote control of outdoor lighting fixtures and for the control of illumination systems; hardware platforms for sustainable mobility namely digital signal processors, digital sound processors and digital voice signal processors.

### **Class 11**

(2) Lanterns for lighting; LED lights; light fittings; light fixtures; lighting apparatus namely electric lamps, ceiling lights, lighting diffusers, street lamps, fairy lights for festive decoration, luminaires, light diffusers; light diffusers; lighting installations; light panels; light projectors; mood lights; solar lights; wall lights; lightemitting diode [LED] lights; light-emitting diode [LED] lighting fixtures; light-emitting diode [LED] lighting installations; light-emitting diode [LED] mood lights; light-emitting diodes [LED] lighting apparatus namely LED landscape lights, LED luminaires, LED light bulbs, LED Flash lights, for modular and interactive lighting installations offering smart connected services namely wireless internet, cameras, loudspeakers, electric vehicle charges, SOS intercoms, 4G/5G base stations, pollution sensors, sound transmitting systems, motion detectors, network IP speakers; lamp reflectors; ceiling light; ceiling light fittings; light-emitting diode [LED] luminaires; luminous tubes for lighting; outdoor light fittings; outdoor light fixtures; outdoor solar lights; wall light fixtures; wall light fittings; street lamps; lamps for outdoor use; infrared lighting fixtures; landscape lighting installations; LED (light emitting diodes) lighting fixtures for use in display, commercial, industrial, residential, and architectural accent lighting applications; LED light assemblies for street lights, signs, commercial lighting, buildings, and other architectural uses; LED lighting fixtures for modular and interactive lighting installations offering smart connected services namely wireless internet, cameras, loudspeakers, electric vehicle charges, SOS intercoms, 4G/5G base stations, pollution sensors, sound transmitting systems, motion detectors, network IP speakers; LED modular and interactive lighting, namely, LED modules, power supplies, and wiring; lighting installations for sports arenas; lighting fixtures with motion detection for modular and interactive lighting installations offering smart connected services namely wireless internet, cameras, loudspeakers, electric vehicle charges, SOS intercoms, 4G/5G base stations, pollution sensors, sound transmitting systems, motion detectors, network IP speakers; luminaires, using light emitting diodes [LEDs] as a light source, for street or roadway lighting; outdoor lighting, namely, paver lights; solar light fixtures, namely, indoor and outdoor solar powered lighting units and fixtures; highway illumination assemblies namely highway lamp posts; filters for illumination apparatus namely lighting diffusers and light filters; red [LED] flashlights for illumination purposes; security lighting incorporating a heat activated sensor; security lighting incorporating a movement activated sensor; smart and interactive lighting systems to encourage social connectivity in towns and cities, innovative lighting solutions helping people to connect to their public and private social environments and lighting solutions for sustainable mobility namely street lamps, street lights and lighting diffusers offering smart connected services related to light.

### **Services**

#### **Class 35**

(1) Business management; public relations; business management in the field of modular and interactive lighting systems offering smart connected services namely wireless internet, cameras, loudspeakers, electric vehicle charges, SOS intercoms, 4G/5G base stations, pollution sensors, sound transmitting systems, motion detectors, network IP speakers; organization for others of



events, exhibitions and functions for commercial, promotional and advertising purposes in the field of modular and interactive lighting systems offering smart connected services namely wireless internet, cameras, loudspeakers, electric vehicle charges, SOS intercoms, 4G/5G base stations, pollution sensors, sound transmitting systems, motion detectors, network IP speakers; dissemination of advertisements and promotional and advertising material namely prospectuses, catalogs, printed matter, samples in the field of modular and interactive lighting systems offering smart connected services namely wireless internet, cameras, loudspeakers, electric vehicle charges, SOS intercoms, 4G/5G base stations, pollution sensors, sound transmitting systems, motion detectors, network IP speakers; commercial administration of licenses in the field of modular and interactive lighting systems offering smart connected services namely wireless internet, cameras, loudspeakers, electric vehicle charges, SOS intercoms, 4G/5G base stations, pollution sensors, sound transmitting systems, motion detectors, network IP speakers; commercial information and advice for consumers in the field of modular and interactive lighting systems offering smart connected services namely wireless internet, cameras, loudspeakers, electric vehicle charges, SOS intercoms, 4G/5G base stations, pollution sensors, sound transmitting systems, motion detectors, network IP speakers; marketing studies in the field of modular and interactive lighting systems offering smart connected services namely wireless internet, cameras, loudspeakers, electric vehicle charges, SOS intercoms, 4G/5G base stations, pollution sensors, sound transmitting systems, motion detectors, network IP speakers.

#### **Class 41**

(2) Practical training [demonstration] in the field of modular and interactive lighting systems offering smart connected services; arranging and conducting of colloquiums, seminars and conferences in the field of modular and interactive lighting systems offering smart connected services; arranging of exhibitions for educational purposes in the field of modular and interactive lighting systems offering smart connected services; film production; publication of books, magazines, periodicals, brochures and catalogs in the field of modular and interactive lighting systems offering smart connected services; publication of texts other than publicity texts in the field of modular and interactive lighting systems offering smart connected services; electronic online publication of books, magazines and brochures in the field of modular and interactive lighting systems offering smart connected services.

#### **Claims**

Priority Filing Date: August 29, 2017, Country or Office: BELGIUM, Application No: 1359911 in association with the same kind of goods and in association with the same kind of services

**Application Number** 1,885,499  
**Language of Application** French

**Filing Date** 2018-02-28

## APPLICANT AND AGENT DETAILS

### Applicant

ALLIANCE LOIRE, société organisée selon les  
lois françaises  
Route de La Perrière  
49260 SAINT-CYR-EN-BOURG  
FRANCE

### Agent

LAVERY, DE BILLY, LLP  
1 Place Ville Marie, Suite 4000, Montréal,  
QUÉBEC, H3B4M4

## TRADEMARK DETAILS

# ROMANCE DE LOIRE

### Trademark Type

Standard Characters

### Goods

### Class 33

Appellation d'origine protégée wines or wines bearing the Loire appellation d'origine contrôlée.

**Application Number** 1,885,652  
**Language of Application** French

**Filing Date** 2018-03-01

## APPLICANT AND AGENT DETAILS

### Applicant

I.G.E.+X.A.O., Société anonyme à conseil  
d'administration  
16 BOULEVARD DEODAT DE SEVERAC  
F-31770 COLOMIERS  
FRANCE

### Agent

BROUILLETTE LEGAL INC.  
1050, Côte du Beaver Hall, Bureau 1500,  
MONTREAL, QUÉBEC, H2Z0A5

## TRADEMARK DETAILS

# IGE+XAO

### Trademark Type

Word

### Goods

#### Class 09

Data processing apparatus, namely data processing hardware for computer-assisted design; computer-assisted design software; computer software for computer-assisted design used in mechanical and industrial design; computer software for the lifecycle management of electrical equipment, namely for the design, configuration, maintenance and monitoring of electrical equipment in the field of computer-assisted design; simulation software for the toolpath simulation of electrical, mechanical and hydraulic components; computer software for the computer-assisted manufacturing of electrical equipment; computer software for the design and modification of electrical wiring; computer software for computer-assisted manufacturing in the field of industrial electricity, namely computer software for the configuration, maintenance, monitoring and optimization of assembly lines and the maintenance of machines.

### Services

#### Class 41

(1) Training services in the use of computer software for computer-assisted design, computer software for the lifecycle management of electrical equipment, computer software for electricity simulation; publishing of computer software in the field of mechanical engineering.

#### Class 42

(2) Design, installation and maintenance services related to computer software; computer programming services; computer programming services in the fields of computer-assisted design, the lifecycle management of electrical equipment, and electricity simulation; computer engineer services; information and consulting related to computer technology and programming by means of websites in the fields of computer-assisted design, the lifecycle management of electrical equipment, and electricity simulation; design and development of computer software for computer-assisted design, namely design and development of computer software for the lifecycle management of electrical equipment, computer software for the toolpath simulation of electrical components.

**Application Number** 1,885,737  
**Language of Application** English

**Filing Date** 2018-03-01

## **APPLICANT DETAILS**

### **Applicant**

Elite Window Cleaning Inc.  
4-28 Steve Fonyo Dr  
Kingston,  
ONTARIO  
K7M8N9

## **TRADEMARK DETAILS**

### **Trademark Type**

Design

### **Visual Representation**



### **Colour Claim**

Colour is claimed as a feature of the trademark. The capital letter E in the word "Elite" is red. The other word and design elements of the trademark are black.

### **Services**

#### **Class 37**

window cleaning services, gutter cleaning services, siding cleaning services

**Application Number** 1,886,110  
**Language of Application** English

**Filing Date** 2018-03-05

## APPLICANT AND AGENT DETAILS

### Applicant

OLYMPUS CORPORATION, a legal entity  
2951 Ishikawa-machi  
Hachioji-shi  
Tokyo  
192-8507  
JAPAN

### Agent

RICHEs, MCKENZIE & HERBERT LLP  
SUITE 1800, 2 BLOOR STREET EAST,  
TORONTO, ONTARIO, M4W3J5

## TRADEMARK DETAILS

# OLYMPUS

### Trademark Type

Word

### Goods

#### Class 09

wearable computers, namely, wearable computers in the nature of smartwatches, and wearable computers in the nature of smart glasses; personal digital assistants; computer application software for personal digital assistants, namely, software for personal digital assistants for use in the storing, managing, processing, browsing, analyzing and transmitting of data and information, and for gathering and transmitting information about online services of others; cloud computing software, namely, downloadable cloud computing software for storing, managing, processing, browsing, analyzing and transmitting data and information, namely, images, inspection results, analytical results, measuring results acquired from biological microscopes and cell culture equipment in the field of life science, namely, incubation monitoring system, automated cell counter, and cultural microscopes, images, inspection results, analytical results, measuring results acquired from industrial endoscopes, industrial microscopes, inspection equipment and analysis equipment in the field of industry, namely, non-destructive testing machines and x-ray fluorescence analyzers, images, audio data recorded by cameras, smartphones, tablet computers and voice recorders in the field of camera and audio, and images, inspection results, analytical results, diagnosis acquired from medical endoscopes and medical equipment usage, namely, surgical imaging platform and washing and sterilizing apparatus, and for gathering and transmitting information about online services of others; computer programs for use in the storing, managing, processing, browsing, analyzing and transmitting of data and information, namely, images, inspection results, analytical results, measuring results acquired from biological microscopes and cell culture equipment in the field of life science, namely, incubation monitoring system, automated cell counter, and cultural microscopes, images, inspection results, analytical results, measuring results acquired from industrial endoscopes, industrial microscopes, inspection equipment and analysis equipment in the field of industry, namely, non-destructive testing machines and x-ray fluorescence analyzers, images, audio data recorded by cameras, smartphones, tablet computers and voice recorders in the field of camera and audio, and images, inspection results, analytical

results, diagnosis acquired from medical endoscopes and medical equipment usage, namely, surgical imaging platform and washing and sterilizing apparatus, and for gathering and transmitting information about online services of others

## **Services**

### **Class 35**

(1) consultancy services in the field of systemization of information into computer databases

### **Class 37**

(2) repair and maintenance of medical apparatus and instruments for monitoring medical endoscopes, medical image processors, medical imaging apparatus, surgical apparatus and instruments for medical use and providing information relating to the repair and maintenance of medical apparatus and instruments for monitoring medical endoscopes, medical image processors, medical imaging apparatus, surgical apparatus and instruments for medical use; sterilization of medical apparatus and instruments and providing information relating to the sterilization of medical apparatus and instruments; repair and maintenance of optical machines and apparatus and providing information relating to the repair and maintenance of optical machines; repair and maintenance of photographic machines and apparatus and providing information relating to the repair and maintenance of photographic machines and apparatus; repair and maintenance of electronic machines and apparatus, namely, digital cameras, non-destructive testing instruments, and microscopes and providing information relating to the repair and maintenance of electronic machines and apparatus, namely, digital cameras, non-destructive testing instruments and microscopes; repair and maintenance of telecommunication machines and apparatus and providing information relating to the repair and maintenance of telecommunication machines and apparatus; repair and maintenance of laboratory apparatus and instruments and providing information relating to the repair and maintenance of laboratory apparatus and instruments; repair and maintenance of measuring and testing machines and providing information relating to the repair or maintenance of measuring and testing machines

### **Class 41**

(3) arranging and conducting of training courses, namely, instructional videos, workshops in the field of treating cancer, life science, medical science, and industrial and inspection and measurement technology

### **Class 42**

(4) Hosting web portals; Providing computer programs for portals via the Internet or mobile phone, namely, providing online non-downloadable software for storing, managing, processing, browsing, analyzing and transmitting data and information, namely, images, inspection results, analytical results, measuring results acquired from biological microscopes and cell culture equipment in the field of life science, namely, incubation monitoring system, automated cell counter, and cultural microscopes, images, inspection results, analytical results, measuring results acquired from industrial endoscopes, industrial microscopes, inspection equipment and analysis equipment in the field of industry, namely, non-destructive testing machines and xray fluorescence analyzers, images, audio data recorded by cameras, smartphones, tablet computers and voice recorders in the field of camera and audio, and images, inspection results, analytical results, diagnosis acquired from medical endoscopes and medical equipment usage, namely, surgical imaging platform and washing and sterilizing apparatus, and for gathering and transmitting information about online services of others; software as a service, namely, software as a service (SAAS) services featuring software for storing, managing, processing, browsing, analyzing and transmitting data and information, namely, images, inspection results, analytical results, measuring results

acquired from biological microscopes and cell culture equipment in the field of life science, namely, incubation monitoring system, automated cell counter, and cultural microscopes, images, inspection results, analytical results, measuring results acquired from industrial endoscopes, industrial microscopes, inspection equipment and analysis equipment in the field of industry, namely, non-destructive testing machines and x-ray fluorescence analyzers, images, audio data recorded by cameras, smartphones, tablet computers and voice recorders in the field of camera and audio, and images, inspection results, analytical results, diagnosis acquired from medical endoscopes and medical equipment usage, namely, surgical imaging platform and washing and sterilizing apparatus, and for gathering and transmitting information about online services of others; online data storage, namely, general storage of electronic data; providing computer programs, namely, providing temporary use of nondownloadable computer software for image analysis for medical purposes; computer-aided scientific research, testing and analysis in the field of image captured medical and surgical endoscopes; life science, industry and medical research and product development for others in the field of academic research, aerospace, automobiles, biotechnology, science, household articles, electronics, energy, environment, metallic working, glasses, ceramics, hazardous materials, structures, inspection, manufacturing, material analysis, metals, mines, geology, minerals, oil, gas, pharmacy, pipelines, plastics, quality guarantee, quality management, railways, civil services, defense and weld inspection

#### **Class 44**

(5) Medical diagnostic services using image data; intermediary services relating to medical diagnosis using data from images to detect signs of medical ailments; providing medical information in the field of endoscopic equipment and endoscopic procedures

#### **Claims**

Priority Filing Date: February 19, 2018, Country or Office: JAPAN, Application No: 2018-020001 in association with the same kind of goods and in association with the same kind of services

**Application Number** 1,886,162  
**Language of Application** English

**Filing Date** 2018-03-05

## APPLICANT AND AGENT DETAILS

### Applicant

SCHRÉDER, Société Anonyme  
Rue de Lusambo, 67  
B-1190 Brussels  
BELGIUM

### Agent

LAVERY, DE BILLY, LLP  
1 Place Ville Marie, Suite 4000, Montréal,  
QUEBEC, H3B4M4

## TRADEMARK DETAILS

# LIGHTABILITY

### Trademark Type

Standard Characters

### Goods

#### Class 09

(1) Electronic control gears [ECGs] for LED lamps and light fixtures; motion sensors for security lights; light regulators [dimmers], electric; radio signal antennas for wireless reception, storage and transmission of data for modular and interactive lighting installations offering smart connected services namely wireless internet, cameras, loudspeakers, electric vehicle charges, SOS intercoms, 4G/5G base stations, pollution sensors, sound transmitting systems, motion detectors, network IP speakers; computer interface software for modular and interactive lighting installations offering smart connected services namely wireless internet, cameras, loudspeakers, electric vehicle charges, SOS intercoms, 4G/5G base stations, pollution sensors, sound transmitting systems, motion detectors, network IP speakers; electronic apparatus for wireless reception, storage and transmission of data and messages for modular and interactive lighting installations offering smart connected services namely wireless internet, cameras, loudspeakers, electric vehicle charges, SOS intercoms, 4G/5G base stations, pollution sensors, sound transmitting systems, motion detectors, network IP speakers, namely electric and electronic video surveillance installations and electrical control systems for lighting systems; apparatus for the input, output, transmission and storage of data for modular and interactive lighting installations offering smart connected services namely wireless internet, cameras, loudspeakers, electric vehicle charges, SOS intercoms, 4G/5G base stations, pollution sensors, sound transmitting systems, motion detectors, network IP speakers, namely computer central processing units and computer network switches for lighting systems; air analysis apparatus namely particle counters for measuring air quality; electrical charge controllers for modular and interactive lighting installations offering smart connected services namely wireless internet, cameras, loudspeakers, electric vehicle charges, SOS intercoms, 4G/5G base stations, pollution sensors, sound transmitting systems, motion detectors, network IP speakers; wireless controllers to monitor and control the functioning of electronic devices namely light switches for modular and interactive lighting installations offering smart connected services namely wireless internet, cameras, loudspeakers, electric vehicle charges, SOS intercoms, 4G/5G base stations, pollution sensors, sound transmitting systems, motion detectors, network IP speakers; electrical control, testing and monitoring apparatus namely electrical control systems for lighting systems, electric and electronic video surveillance installations, motion sensors for security lights, electric control panels and lighting control panels,



optical sensors, electric connectors, temperature sensors, distance sensors, electrical transformers, for modular and interactive lighting installations offering smart connected services namely wireless internet, cameras, loudspeakers, electric vehicle charges, SOS intercoms, 4G/5G base stations, pollution sensors, sound transmitting systems, motion detectors, network IP speakers; measuring and control apparatus and instruments namely electronic measuring detectors, for modular and interactive lighting installations offering smart connected services namely wireless internet, cameras, loudspeakers, electric vehicle charges, SOS intercoms, 4G/5G base stations, pollution sensors, sound transmitting systems, motion detectors, network IP speakers; surveying instruments to analyze and to test modular and interactive lighting installations offering smart connected services namely wireless internet, cameras, loudspeakers, electric vehicle charges, SOS intercoms, 4G/5G base stations, pollutions sensors, sound transmitting systems, motion detectors, network IP speakers; closed circuit TV systems for security and surveillance, namely, cameras, switchers, monitors, microphones, and recorders for modular and interactive lighting installations offering smart connected services namely wireless internet, cameras, loudspeakers, electric vehicle charges, SOS intercoms, 4G/5G base stations, pollution sensors, sound transmitting systems, motion detectors, network IP speakers; electronic equipment, namely, transformers, cables used in connection with computers, televisions, audiovideo equipment, closed- circuit TV equipment and telecommunication equipment namely computer hardware for telecommunications, for modular and interactive lighting installations offering smart connected services namely wireless internet, cameras, loudspeakers, electric vehicle charges, SOS intercoms, 4G/5G base stations, pollution sensors, sound transmitting systems, motion detectors, network IP speakers; radio transmitters, receivers, and controllers for monitoring and controlling public lighting; wireless controllers to remotely monitor and control the function and status of other electrical, electronic, and mechanical devices or systems, namely lighting systems excluding gaming apparatus; illumination regulators; intercommunication apparatus namely transceivers for remote controls, for lighting installations; motion sensors for security lights; sensors and detectors for lighting installations; measuring sensors for lighting installations; light systems comprising light sensors and switches; humidity sensors with integrated digital and analogue output circuitry used in appliance and light industrial applications to sense both relative humidity and temperature environmental conditions; environmental monitoring system comprised of meters and sensors that measure pressure, humidity, temperature and includes alarm and reporting functions for modular and interactive lighting installations offering smart connected services namely wireless internet, cameras, loudspeakers, electric vehicle charges, SOS intercoms, 4G/5G base stations, pollution sensors, sound transmitting systems, motion detectors, network IP speakers; electronic sensors for measuring solar radiation; day and night vision systems primarily comprising day and night sensors, day and night cameras, power sources, communication means namely communications computers, monitors and operating software for lighting installations; active infra-red sensors for modular and interactive lighting installations offering smart connected services namely wireless internet, cameras, loudspeakers, electric vehicle charges, SOS intercoms, 4G/5G base stations, pollution sensors, sound transmitting systems, motion detectors, network IP speakers; sensors for the determination of temperatures, positions and distances for modular and interactive lighting installations; telecommunications hardware namely computer hardware for telecommunications, and telecommunications software for monitoring and alerting remote sensor status via the Internet; LED lighting controls for remote monitoring and remote control of outdoor lighting fixtures and for the control of illumination systems; hardware platforms for sustainable mobility namely digital signal processors, digital sound processors and digital voice signal processors.

**Class 11**

(2) Lanterns for lighting; LED lights; light fittings; light fixtures; lighting apparatus namely electric lamps, ceiling lights, lighting diffusers, street lamps, fairy lights for festive decoration, luminaires, light diffusers; light diffusers; lighting installations; light panels; light projectors; mood lights; solar lights; wall lights; lightemitting diode [LED] lights; light-emitting diode [LED] lighting fixtures; light-emitting diode [LED] lighting installations; light-emitting diode [LED] mood lights; light-emitting diodes [LED] lighting apparatus namely LED landscape lights, LED luminaires, LED light bulbs, LED Flash lights, for modular and interactive lighting installations offering smart connected services namely wireless internet, cameras, loudspeakers, electric vehicle charges, SOS intercoms, 4G/5G base stations, pollution sensors, sound transmitting systems, motion detectors, network IP speakers; lamp reflectors; ceiling light; ceiling light fittings; light-emitting diode [LED] luminaires; luminous tubes for lighting; outdoor light fittings; outdoor light fixtures; outdoor solar lights; wall light fixtures; wall light fittings; street lamps; lamps for outdoor use; infrared lighting fixtures; landscape lighting installations; LED (light emitting diodes) lighting fixtures for use in display, commercial, industrial, residential, and architectural accent lighting applications; LED light assemblies for street lights, signs, commercial lighting, buildings, and other architectural uses; LED lighting fixtures for modular and interactive lighting installations offering smart connected services namely wireless internet, cameras, loudspeakers, electric vehicle charges, SOS intercoms, 4G/5G base stations, pollution sensors, sound transmitting systems, motion detectors, network IP speakers; LED modular and interactive lighting, namely, LED modules, power supplies, and wiring; lighting installations for sports arenas; lighting fixtures with motion detection for modular and interactive lighting installations offering smart connected services namely wireless internet, cameras, loudspeakers, electric vehicle charges, SOS intercoms, 4G/5G base stations, pollution sensors, sound transmitting systems, motion detectors, network IP speakers; luminaires, using light emitting diodes [LEDs] as a light source, for street and roadway lighting; outdoor lighting, namely, paver lights; solar light fixtures, namely, indoor and outdoor solar powered lighting units and fixtures; highway illumination assemblies namely highway lamp posts; filters for illumination apparatus namely lighting diffusers and light filters; red [LED] flashlights for illumination purposes; security lighting incorporating a heat activated sensor; security lighting incorporating a movement activated sensor; smart and interactive lighting systems to encourage social connectivity in towns and cities, innovative lighting solutions helping people to connect to their public and private social environments and lighting solutions for sustainable mobility namely street lamps, street lights and lighting diffusers offering smart connected services related to light.

## **Services**

### **Class 35**

(1) Business management; public relations; business management in the field of modular and interactive lighting systems offering smart connected services namely wireless internet, cameras, loudspeakers, electric vehicle charges, SOS intercoms, 4G/5G base stations, pollution sensors, sound transmitting systems, motion detectors, network IP speakers; organization for others of events, exhibitions and functions for commercial, promotional and advertising purposes in the field of modular and interactive lighting systems offering smart connected services namely wireless internet, cameras, loudspeakers, electric vehicle charges, SOS intercoms, 4G/5G base stations, pollution sensors, sound transmitting systems, motion detectors, network IP speakers; dissemination of advertisements and promotional and advertising material namely prospectuses, catalogs, printed matter, samples, in the field of modular and interactive lighting systems offering smart connected services namely wireless internet, cameras, loudspeakers, electric vehicle charges, SOS intercoms, 4G/5G base stations, pollution sensors, sound transmitting systems, motion detectors, network IP speakers; commercial administration of licenses in the field of modular and interactive lighting systems offering smart connected services namely wireless

internet, cameras, loudspeakers, electric vehicle charges, SOS intercoms, 4G/5G base stations, pollution sensors, sound transmitting systems, motion detectors, network IP speakers; commercial information and advice for consumers in the field of modular and interactive lighting systems offering smart connected services namely wireless internet, cameras, loudspeakers, electric vehicle charges, SOS intercoms, 4G/5G base stations, pollution sensors, sound transmitting systems, motion detectors, network IP speakers; marketing studies in the field of modular and interactive lighting systems offering smart connected services namely wireless internet, cameras, loudspeakers, electric vehicle charges, SOS intercoms, 4G/5G base stations, pollution sensors, sound transmitting systems, motion detectors, network IP speakers.

### **Class 41**

(2) Practical training namely demonstration, in the field of modular and interactive lighting systems offering smart connected services; arranging and conducting of colloquiums, seminars and conferences in the field of modular and interactive lighting systems offering smart connected services; arranging of exhibitions for educational purposes in the field of modular and interactive lighting systems offering smart connected services; film production; publication of books, magazines, periodicals, brochures and catalogs in the field of modular and interactive lighting systems offering smart connected services; publication of texts other than publicity texts, in the field of modular and interactive lighting systems offering smart connected services; electronic online publication of books, magazines and brochures in the field of modular and interactive lighting systems offering smart connected services.

### **Claims**

Priority Filing Date: September 14, 2017, Country or Office: BELGIUM, Application No: 1360792 in association with the same kind of goods and in association with the same kind of services

**Application Number** 1,886,594  
**Language of Application** English

**Filing Date** 2018-03-07

## APPLICANT AND AGENT DETAILS

### Applicant

Signature Flight Support UK Regions Limited  
105 Wigmore Street  
London, W1U1QY  
UNITED KINGDOM

### Agent

MILTONS IP/P.I.  
15 Fitzgerald Rd, Suite 200, Ottawa,  
ONTARIO, K2H9G1

## TRADEMARK DETAILS

# SIGNATURE ELITE CLASS

### Trademark Type

Word

### Services

#### Class 39

(1) airport passenger shuttle services between the airport parking facilities and the airport; airport ground handling of passengers and cargo

#### Class 43

(2) Passenger lounge services, namely provision of food and drink and provision of accommodation for passengers

#### Class 45

(3) airline passenger security screening services; providing information in relation to customs and immigration services

**Application Number** 1,886,815  
**Language of Application** English

**Filing Date** 2018-03-07

## **APPLICANT AND AGENT DETAILS**

### **Applicant**

Greenbridge Foodservice Inc.  
201-1373 Victoria St N  
Kitchener  
ONTARIO  
N2B3R6

### **Agent**

DAVID J. SCHNURR  
(MILLER THOMSON LLP), ACCELERATOR  
BUILDING, 295 HAGEY BLVD., SUITE 300,  
WATERLOO, ONTARIO, N2L6R5

## **TRADEMARK DETAILS**

# **CHEF CONNEXION**

### **Trademark Type**

Word

### **Goods**

#### **Class 16**

Printed publications, namely, newsletters, magazines, leaflets and manuals in the fields of food and food services and loyalty and incentive schemes for the food services industry

**Application Number** 1,887,100  
**Language of Application** English

**Filing Date** 2018-03-09

## APPLICANT AND AGENT DETAILS

### Applicant

VIVO MOBILE COMMUNICATION CO., LTD.  
283#, BBK Road, Wusha, Chang'An  
Dongguan, Guangdong  
CHINA

### Agent

NEOMARK LTD.  
7450 rue Saint-Hubert, Montréal, QUEBEC,  
H2R2N3

## TRADEMARK DETAILS

# Jovi

### Trademark Type

Standard Characters

### Goods

#### Class 05

(1) Disinfectant bathroom cleaners

#### Class 07

(2) Food mixing machines; Juice extractors, electric; Dishwashers; Coffee grinders, other than hand-operated; Electric food blenders for household purposes; Electric kitchen machines, namely, electric food blenders, electric food processors, electric food mixers, electric food choppers, electric food slicers; Whisks, electric, for household purposes; Fruit presses, electric, for household purposes; Soybean milk making machines for household purposes; Washing machines [laundry]; Dry-cleaning machines for laundry; Wringing machines for laundry; Dust filters and collecting machines for cleaning purposes; Vacuum cleaners; Floor cleaning machines; 3D Printers; 3D Printing Pens.

#### Class 08

(3) Hand-operated food processors.

#### Class 09

(4) Data processing apparatus, namely, computers, word processors, control panels, computer disk drives, integrated circuits, bar-code readers; Computer programs, recorded, for document management; Computer software, recorded, for document management; Computer programs [downloadable software] for document management; Personal digital assistant (PDA); Computer software platform, recorded and downloadable, for document management; Computer screensaver software, recorded and downloadable; Downloadable graphics for mobile phones; Wearable telecommunication apparatus in the form of jewelry, namely, wearable computers and smartphones in the form of jewelry; Downloadable applications for mobile phones for downloading music, movie and television graphics, games, photos, for social networking, reading news, online shopping, socializing; Tablet computers; Interactive touch screen terminals; Humanoid robot with artificial intelligence; Smart glasses (data processing); Smart watches (data processing); Software for creating virtual reality games; USB card readers; Stylus pens for use with touch-screens; Wearable computers; Gesture recognition software; Photo printers; Fingerprint scanners; Biometric facial scanners; Navigational instruments, namely, global positioning system (GPS)

receivers and transmitters, directional compasses; Global positioning system (GPS) consisting of computers, computer software, transmitters, receivers, and network interface devices; Smart phones; Mobile telephones; Cell phone straps; Wearable activity trackers; Cell phone cases; Covers for cell phones; Protective films adapted for mobile phone screens; Electronic devices used to locate lost articles employing the global positioning system or cellular communication networks; Wearable smart phones; Keyboards for mobile phones; Hands-free microphones for mobile phones; Stands adapted for mobile phones; Cabinets for loudspeakers; Wireless audio speakers; Headphones; Wireless earphones; Virtual reality headsets; Earphones adapted for mobile phones; Wireless headsets for smart phones; Microphones for telecommunication apparatus; Selfie sticks [hand-held monopods]; Selfie sticks for mobile phones; Selfie lenses; Connected bracelets, namely, smart bracelets for measuring heart rates, number of steps taken, global positioning information, calorie intake, sleep activity; USB cables; USB cables for cell phones; Converters for electric plugs; Power adaptors for use with portable electronic devices; Liquid crystal display (LCD) monitors; Display screens for mobile phones; Wearable video display monitors; Batteries for mobile phones; Battery chargers for cell phones; Portable power banks, namely, portable battery chargers for mobile phones; Wireless chargers; Stands adapted for telephones in car; USB flash drives; Camcorders; Scales with body mass analysers; Bathroom scales; Light dimmers; Light switches; Lighting control panels.

#### **Class 11**

(5) Lamps, namely, desk lamps, overhead lamps, fluorescent lamps, fluorescent lamp tubes, halogen lamps, incandescent lamps, infrared lamps, floor lamps, desk lamps; Lighting apparatus and installations, namely, ceiling lights, light bulbs, light globes; Lighting apparatus for vehicles, namely, automobile lights, bus lights, bicycle lights; Cooking apparatus and installations, namely, gas burners, autoclaves [electric pressure cookers], microwave, oven, toaster, electric coffee maker, and electric kettle; Kettles, electric; Coffee machines, electric; Electric yogurt makers; Microwave ovens; Cooking utensils, electric, namely, electric waffle makers, electric pressure cooker, electric food steamers, electric egg cookers, electric deep fryers and electric hot plates; Bread baking machines; Refrigerators; Air conditioners; Electric fans for household purposes; Air purifiers for household purposes; Laundry drying machines; Hair dryers; Electric radiant heaters for household purposes; Bath tubs; Heaters for baths; Toilets [water-closets]; Toilet bowls; Facial steamers; Filters for drinking water; Tap-water purifying apparatus; Sterilizing cupboards for kitchen use, namely, electric clothes drying machines with sterilization, deodorization and crease-resistant treatment functions for household purposes; Drinking water dispensers; Radiators, electric; Hot water bottles; Electric coffeemakers; Air filtering units for removing dust, smoke and allergens from the air.

#### **Class 14**

(6) Wristwatches; Watch bands; Watch chains; Clocks and watches, electric; Sports watches; Clocks; Stopwatches; Jewelry boxes; Brooches [jewelry]; Bracelets [jewelry]; Key rings [split rings with trinket or decorative fob]; Charms for key rings.

#### **Class 28**

(7) Gaming equipment, namely, playing cards, chips, gaming tables and gaming cloths; Video game machines; Portable games with liquid crystal displays; Video game machines; Controllers for game consoles; Joysticks for video games; Dolls; Plush toys; Smart dolls; Toy vehicles; Stuffed toys; Toy drones; Toy models; Toy figures; Toy robots; Toy watches; Board games; Body-building apparatus, namely, exercise weights, free weights for physical exercise, wrist weights for exercise, leg weights for exercise, ankle weights for exercise, weight lifting machines for exercise, treadmill and elliptical machine; Playing balls; Exercise benches; Exercise pulleys; Stationary exercise

bicycles; Exercise treadmills; Rowing exercise machines; Elliptical exercise machines; Resistance machines for exercise.

## **Services**

### **Class 35**

(1) Publicity agency services; Presentation of the goods of others on communication media, for retail purposes; Provision of space on websites for advertising goods and services; On-line advertising the goods and services of others on computer communications networks; Providing business information in the fields of business management, business organization, accounting and marketing via a website; Organization of exhibitions of the goods of others for commercial or advertising purposes; Import-export agency services; Sales promotion for others through the Internet channel and distributions of newsletters, flyers, brochures and samples for publicity purposes; Provision of an on-line marketplace for buyers and sellers of goods and services; Compilation of information into computer databases; Systemization of information into computer databases; arranging subscription to a television channel for others; arranging subscription to internet service provider services for others; arranging subscription to fixed and mobile telephone services for others; arranging subscription to television broadcasting services for others; arranging subscription to telematic invehicle communication services for others; Updating and maintenance of data in computer databases; Web indexing for commercial or advertising purposes; Compiling indexes of information for commercial or advertising purposes.

### **Class 38**

(2) Cellular telephone communication; Communication by computer terminals; Text messaging services; Providing multiple user access to a global computer network; Providing access to Internet chatrooms; Providing access to databases in the field of social networking; Voice mail services; Transmission of digital files, namely, text messages, voice messages, videos, films, movies, animations, music, photos and pictures via satellite, cellular telephone networks, global computer networks, and the Internet; Providing online forums for transmission of messages, comments and multimedia content among users; Mobile radio communication services; Radio broadcasting; Rental of telecommunication equipment, namely, rental of tablet computers, smartphones, computer servers, and modems.

### **Class 42**

(3) Multimedia product design and development; Technical research in the field of smart phones; Industrial design; Design of mobile telephones; Packaging design; Computer software design; Computer programming; Updating of computer software; Maintenance of computer software; Computer system design; Installation of computer software; Recovery of computer data; Software as a service (SaaS) services featuring software for smartphones and computers for playing music, engaging in online shopping, accessing and viewing travel guides, communicating with others, processing and transmitting images, and taking, saving and storing photographs; Software development in the framework of software publishing; Platform as a service (PAAS) featuring computer software platforms for playing music, engaging in online shopping, accessing and viewing travel guides, communicating with others, processing and transmitting images, and taking, saving and storing photographs in the field of mobile communications; Off-site data backup; Cloud computing provider services for general storage of data; Unlocking of mobile phones; Data encryption services; Drive and operating system software development; Design and development of mobile phone software; Recovery of smartphone data; Updating of mobile phone software; Mobile phone software design.



**Application Number** 1,887,784  
**Language of Application** English

**Filing Date** 2018-03-13

## APPLICANT AND AGENT DETAILS

### Applicant

Bombas LLC  
37 East 18th Street  
4th Floor  
New York, NY 10003  
UNITED STATES OF AMERICA

### Agent

HICKS INTELLECTUAL PROPERTY LAW  
213-304 Old Canmore Road, Canmore,  
ALBERTA, T1W0L5

## TRADEMARK DETAILS

# HEX TEC

### Trademark Type

Word

### Goods

#### Class 25

apparel, namely, socks

### Claims

Priority Filing Date: October 26, 2017, Country or Office: UNITED STATES OF AMERICA,  
Application No: 87/661,094 in association with the same kind of goods

**Application Number** 1,887,787  
**Language of Application** English

**Filing Date** 2018-03-13

## APPLICANT AND AGENT DETAILS

### Applicant

Bombas LLC  
37 East 18th Street  
4th Floor  
New York, NY 10003  
UNITED STATES OF AMERICA

### Agent

HICKS INTELLECTUAL PROPERTY LAW  
213-304 Old Canmore Road, Canmore,  
ALBERTA, T1W0L5

## TRADEMARK DETAILS

### Trademark Type

Design

### Visual Representation

**HEX • TEC**

### Goods

#### Class 25

apparel, namely, socks

### Claims

Priority Filing Date: October 26, 2017, Country or Office: UNITED STATES OF AMERICA,  
Application No: 87/661,013 in association with the same kind of goods

**Application Number** 1,888,311  
**Language of Application** English

**Filing Date** 2018-03-15

## APPLICANT AND AGENT DETAILS

### Applicant

Duck Duck Go, Inc., a corporation organized and existing under the laws of Delaware, United States of America  
20 Paoli Pike  
Paoli, PA 19301-1830  
UNITED STATES OF AMERICA

### Agent

ROBIC  
630, boul. René-Lévesque Ouest, 20e étage,  
Montréal, QUEBEC, H3B1S6

## TRADEMARK DETAILS

# DUCKDUCKGO

### Trademark Type

Standard Characters

### Goods

#### Class 09

Computer software, namely computer search engine software; downloadable computer search engine software; downloadable computer search engine software that enables anonymous Internet searching; downloadable computer browser extension that enables anonymous Internet searching; downloadable computer software that blocks third party trackers from tracking website visitors and provides reports of third party trackers; downloadable computer search engine software that directs users to encrypted versions of websites; downloadable computer software that provides information on the privacy practices and general safety of websites

### Services

#### Class 42

(1) Computer services, namely, creating computer network-based indexes of online information, websites and other information resources, namely, content aggregators and publishers, and specialized search engines available on computer networks for others in the field of general interest, namely, business, science, technology, engineering, mathematics, arts, people, culture, society, health, sports, entertainment, human services, language, communication, public service, manufacturing, construction, transportation; computer services, namely, providing search engines for obtaining data on a global computer network; development, maintenance and updating of a computer network search engine; providing customized on-line web pages featuring user-defined information, which includes search engines and on-line web links to other web sites

(2) Computer services, namely, software as a service featuring computer search engine software; software as a service featuring computer search engine software that enables anonymous Internet searching; software as a service featuring software that blocks third party trackers from tracking website visitors; software as a service featuring software that directs users to encrypted versions of third party websites

#### Class 45

(3) Providing information and news about data security, data privacy, online privacy, office privacy practices, and encryption technology; providing information about controlling and protecting one's personal information online

**Claims**

Priority Filing Date: March 09, 2018, Country or Office: UNITED STATES OF AMERICA,  
Application No: 87/827,251 in association with the same kind of goods and in association with the same kind of services (2), (3)

**Application Number** 1,889,224  
**Language of Application** English

**Filing Date** 2018-03-21

## APPLICANT AND AGENT DETAILS

### Applicant

Giatic Scientific Inc.  
Suite 302, 301 Moodie Dr.  
Ottawa  
ONTARIO  
K2H9C4

### Agent

RIDOUT & MAYBEE LLP  
11 Holland Avenue, Suite 601 , Ottawa,  
ONTARIO, K1Y4S1

## TRADEMARK DETAILS

# SMARTROCK

### Trademark Type

Standard Characters

### Goods

#### Class 09

Monitoring devices, namely sensors such as for humidity, pressure, pH, vibration, and temperature with electrical assessment such as resistance, current, potential, and impedance; self-contained monitoring devices, namely sensors such as for humidity, pressure, pH, vibration, and temperature with electrical assessment such as resistance, current, potential, and impedance; downloadable software for the analysis of electrical and environmental measurements and characterization, namely, humidity, pressure, pH, vibration, and temperature with electrical assessment such as resistance, current, potential, and impedance in the fields of construction and construction materials; downloadable software for configuring, reading, and interfacing to monitoring devices, namely sensors such as for humidity, pressure, pH, vibration, and temperature with electrical assessment such as resistance, current, potential, and impedance in the field of construction materials

### Services

#### Class 42

Providing online and in-person analysis, assessment and review of sensor data, namely, pressure, pH, vibration, humidity and temperature sensor data in the field of construction materials; providing online and in-person assessment of construction materials characteristics, namely, humidity, pressure, pH, vibration, and temperature with electrical assessment such as resistance, current, potential, and impedance in the fields of construction and construction materials; providing online temporary use of non-downloadable software for the analysis of electrical and environmental measurements and characterization, namely, humidity, pressure, pH, vibration, and temperature with electrical assessment such as resistance, current, potential, and impedance in the fields of construction and construction materials

**Application Number** 1,889,363  
**Language of Application** English

**Filing Date** 2018-03-21

## APPLICANT AND AGENT DETAILS

### Applicant

Thales UK Limited  
350 Longwater Avenue  
Green Park  
Reading  
Berkshire, RG2 6GF  
UNITED KINGDOM

### Agent

MARKS & CLERK  
180 KENT STREET, SUITE 1900, P.O. BOX  
957, STATION B, OTTAWA, ONTARIO,  
K1P5S7

## TRADEMARK DETAILS

# DIGITAL CREW

### Trademark Type

Word

### Goods

#### Class 09

artificial intelligence software for analyzing and classifying animate and inanimate objects captured in images; computer hardware; software incorporating artificial intelligence for enhancing situational awareness by continuous observation of digital imaging streams and alerting users to potential threats; artificial intelligence software for operational command and control of land vehicles, aircraft, watercraft, weaponry, and soldier mounting systems; software for operating opto-electronic devices, namely cameras and thermal imagers and sensors across the electromagnetic spectrum; computer software and computer hardware for recording, detecting, managing, analyzing and providing insights into images, videos and facial recognition and object recognition data for surveillance and security of premises; computer software and computer hardware for recording, detecting, managing, analyzing and providing insights into images, videos and facial recognition and object recognition data obtained from video management systems, surveillance systems, security cameras, and systems for surveillance and security of premises; control software for cameras and thermal imagers and sensors across the electromagnetic spectrum; data processing software for use in analyzing and classifying images to recognize patterns and identify people and objects for security and surveillance; software for detecting targets for weaponry; software for processing images for the purposes of their analysis and classification to recognize patterns and identify people and objects for surveillance and security; motion sensor data processing software; computer hardware and software for interpreting data from motion sensors to provide activity event notifications and alerts and generate activity event reports for security and surveillance; computer software and computer hardware for video surveillance, analyzing data from surveillance footage and from related surrounding sensors, and for compiling a database of images for identifying possible threats in the form of both animate and inanimate objects; computer software for management, analysis, interpretation, identification, reporting, and providing decision support to security personnel of recorded and non-recorded voice, video and radio; computer software to enable situation planning, response and analysis of images from digital feeds of CCTV (closed-circuit television), digital imaging cameras, smartphones and digital periscopes; computer software for data management, analysis, interpretation, identification, real-time analytics, decision-

making, agent guidance and process automation in response to the analyzing and classifying of animate and inanimate objects captured in images for surveillance and security

## **Services**

### **Class 41**

(1) training services, namely, training in the use and applications of artificial intelligence software and hardware in the field of surveillance and security, and information, advice and consultancy services relating thereto

### **Class 42**

(2) software as a service [SaaS], namely, artificial intelligence SaaS for analyzing and classifying animate and inanimate objects captured in images; computer software consultancy; consulting services in the field of design, selection, implementation and use of computer hardware and software systems for others; consultancy in the design and development of software and hardware for image processing, image recognition and situation awareness and decision support for surveillance and security; information, advice and consultancy services relating to Software as a service [SaaS], namely, artificial intelligence SaaS for analyzing and classifying animate and inanimate objects captured in images, computer software consultancy, consulting services in the field of design, selection, implementation and use of computer hardware and software systems for others, consultancy in the design and development of software and hardware for image processing, image recognition and situation awareness and decision support for surveillance and security

## **Claims**

Priority Filing Date: November 10, 2017, Country or Office: UNITED KINGDOM, Application No: UK00003269818 in association with the same kind of goods and in association with the same kind of services

**Application Number** 1,889,559  
**Language of Application** English

**Filing Date** 2018-03-22

## APPLICANT AND AGENT DETAILS

### Applicant

Bloqcube Inc.  
5 Muirfield LN  
Bridgewater, NJ 08807  
UNITED STATES OF AMERICA

### Agent

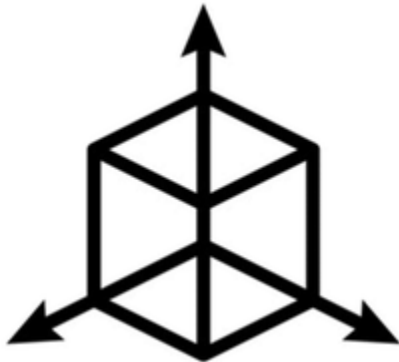
MLT AIKINS LLP  
1500-1874 SCARTH STREET, REGINA,  
SASKATCHEWAN, S4P4E9

## TRADEMARK DETAILS

### Trademark Type

Design

### Visual Representation



### Goods

#### Class 09

Downloadable computer software for use in managing and conducting clinical trials; downloadable computer software for managing and verifying clinical trial patient data, clinical trial financial data and clinical trial results data using a blockchain; downloadable computer software for managing and verifying clinical trial patient data, clinical trial financial data, clinical trial results data, clinical trial reports, clinical trial oversight, and clinical trial regulatory submissions.

### Services

#### Class 35

(1) Business consulting and management in the field of clinical trials, namely, providing patient information management services; business consulting and management in the field of clinical trials, namely, clinical trial patient data, clinical trial financial data and clinical trial results data and regulatory submission management.

#### Class 42

(2) Providing clinical trials data management and verification services for others in the field of clinical trials; providing clinical trial patient data, clinical trial financial data, clinical trial results data, clinical trial reports, clinical trial oversight, and clinical trial regulatory submission management and verification services for others; providing clinical trials data management and verification services for others using a distributed, decentralized, and digital ledger of transactions; providing non-



downloadable software for use in clinical trials, namely, for clinical trial medical and financial data collection and analysis; providing non-downloadable software for managing and verifying clinical study subject data, clinical study financial data, clinical study results data, and clinical study reports data using a distributed, decentralized, and digital ledger of transactions; providing non-downloadable software for managing and verifying clinical trial patient data, clinical trial financial data, clinical trial results data, clinical trial reports, clinical trial oversight, and clinical trial regulatory submissions.

**Claims**

Priority Filing Date: October 04, 2017, Country or Office: UNITED STATES OF AMERICA,  
Application No: 87/634,142 in association with the same kind of goods and in association with the same kind of services

**Application Number** 1,889,583  
**Language of Application** English

**Filing Date** 2018-03-22

## APPLICANT AND AGENT DETAILS

### Applicant

Aurora Cultural and Entertainment Ltd.  
19 Moncrief Lane  
Winnipeg  
MANITOBA  
R3Y1Y4

### Agent

NICOLE D.S. MERRICK  
c/o TAYLOR MCCAFFREY LLP, 2200-201  
Portage Avenue, Winnipeg, MANITOBA,  
R3B3L3

## TRADEMARK DETAILS

# LIGHTS OF THE NORTH

### Trademark Type

Word

### Services

#### Class 35

(1) Food concessions stands featuring traditional Chinese and Canadian food at multicultural festivals; sale of handicrafts by vendors and artisans at multicultural festivals.

#### Class 41

(2) Organizing multicultural festivals, namely Chinese/Canadian light and multicultural festivals providing the following to the public: (i) Lighting displays for public enjoyment, namely illuminated lighting displays and structures, Chinese lanterns, and interactive illuminated lighting structures; (ii) Entertainment services namely organization and provision of live theatrical performances and cultural dances, musical performances and martial arts performances, and acrobatic performances; (iii) illuminated dinosaur lighting exhibits, interactive dinosaur exhibits; (iv) carnival rides.

**Application Number** 1,889,616  
**Language of Application** French

**Filing Date** 2018-03-22

## APPLICANT AND AGENT DETAILS

### Applicant

JACRET S.A.  
17 route Nationale  
Le Thillay 95500  
FRANCE

### Agent

BCF S.E.N.C.R.L./BCF LLP  
1100, boul. René-Lévesque Ouest, 25e Étage,  
Montréal, QUÉBEC, H3B5C9

## TRADEMARK DETAILS

# ADERSHOCK

### Trademark Type

Word

### Goods

#### Class 01

(1) Chemicals for use in the manufacture of adhesives; unprocessed plastics; fire extinguishing compositions; polyurethane adhesives; general-purpose adhesives; construction industry adhesives; adhesives for use in the automotive industry; adhesives for use in the aeronautical industry.

#### Class 02

(2) House paint; exterior paint; anti-corrosive paint; heat-resistant paint; waterproof paint; paint for industrial equipment and machinery; automobile paint; anti-rust products in the form of elastomeric sealing compounds and coatings; preservatives against deterioration of wood; coatings for wood as paints; automotive finishing coatings.

#### Class 16

(3) Adhesives for stationery or household purposes.

#### Class 17

(4) Rubber; raw or semi-worked gum; packing materials; foam insulation materials for use in building and construction; glass fibre insulation; insulating fabrics; rubber sheets for insulation; ceramic enamel fibre insulation; acoustical insulation; electrical insulation; pipe insulation materials; insulation materials for aircraft; insulation for industrial machines; rubber hoses; plastic hoses; insulating varnishes.

#### Class 19

(5) Building glass; plaster for construction; building paper; mortar for construction; non-metallic minerals for construction; felt for construction; building timber.

#### Class 22

(6) Cotton tow.

### Claims

Priority Filing Date: November 22, 2017, Country or Office: FRANCE, Application No: 4406734 in association with the same kind of goods

**Application Number** 1,890,390  
**Language of Application** English

**Filing Date** 2018-03-27

## APPLICANT AND AGENT DETAILS

### Applicant

CUUP, Inc.  
134 Spring Street, Suite 601  
New York, NY 10012  
UNITED STATES OF AMERICA

### Agent

GOWLING WLG (CANADA) LLP  
SUITE 2600, 160 ELGIN STREET, OTTAWA,  
ONTARIO, K1P1C3

## TRADEMARK DETAILS

# CUUP

### Trademark Type

Word

### Goods

#### Class 03

(1) Cosmetics; Lotions, namely, skin lotions, face lotions, hand lotions, body lotions; Creams, namely, skin creams, face creams, hand creams, body creams; Perfumes

#### Class 14

(2) Jewellery

#### Class 18

(3) Bags, namely, gym bags, tote bags, hand bags, travel bags, backpacks; Wallets

#### Class 25

(4) Clothing, namely, tank tops, sweaters, sweatshirts, t-shirts, pants, dresses, jackets, coats, hats, gloves, socks, shorts, sleepwear, loungewear, nightgowns, pyjamas, camisoles, bodysuits, leotards, shapewear, yoga pants, yoga shirts, leggings, swimwear, maternity wear, maternity t-shirts, maternity pants, bridal veils; Lingerie, namely, underwear, panties, hosiery, bras, bralettes; Footwear, namely, casual footwear, athletic footwear, evening footwear

### Claims

Priority Filing Date: September 27, 2017, Country or Office: UNITED STATES OF AMERICA,  
Application No: 87/624048 in association with the same kind of goods

**Application Number** 1,890,440  
**Language of Application** English

**Filing Date** 2018-03-27

## APPLICANT AND AGENT DETAILS

### Applicant

SGL CARBON SE  
Söhnleinstr. 8  
D-65201 Wiesbaden  
GERMANY

### Agent

SMART & BIGGAR IP AGENCY CO.  
SUITE 900, 55 METCALFE STREET, P.O.  
BOX 2999, STATION D, OTTAWA, ONTARIO,  
K1P5Y6

## TRADEMARK DETAILS

# SIGRAFLEX

### Trademark Type

Word

### Goods

#### Class 01

(1) Graphite salts, graphite intercalation compounds for industrial purposes in particular for making expanded graphite or flexible graphite; raw or semi-finished graphite, namely, expanded graphite or flexible graphite, in particular for processing graphite foils, graphite laminates, packings, sealing materials and heat insulating materials

#### Class 17

(2) Graphite foils and graphite laminates made from expanded graphite or flexible graphite other than for packaging, namely, for use as sealing materials and stopping materials, namely, gaskets, seals, packing rings, and release liners, and thermal insulation materials; laminates containing graphite foils, namely, laminate foil consisting of graphite made with and without metal for the manufacture of gaskets, sealant compounds, packing rings, brake lining materials, thermal insulating materials, insulating materials, liners, diffusion barriers, heating elements; semi-finished products of graphite foils, graphite laminates and laminates containing graphite foils, namely, semi-finished products of graphite foils, graphite laminates and laminates containing graphite foils, namely, foils, foil tapes, packing yarns, blocks, cylinders in particular for making packing materials, stopping materials and insulating materials, namely, for manufacturing materials being a thermal or physical barrier, and thermal shields and linings; packing, stopping and insulating materials of expanded graphite or flexible graphite, of graphite foil, graphite laminates; laminates containing graphite foils, namely, unreinforced graphite sheets and rolls of reinforced graphite sheets and rolls in particular for packing, stopping and insulating; continuous filament carbon and graphite yarns for the manufacture of compression packings and packing rings; stretch broken carbon and graphite-yarns for the manufacture of compression packings and packing rings; foil yarns for the manufacture of compression packings and packing rings; graphite foil in the form of yarn containing metal for gaskets, sealant compounds, packing rings, brake lining materials, thermal insulating materials, insulating materials, liners, diffusion barriers, heating elements; reinforced graphite foil in the form of yarn containing metal for gaskets, sealant compounds, packing rings, brake lining materials, thermal insulating materials, insulating materials, liners diffusion barriers, heating elements; metal foil for insulating in the form of yarn containing graphite; reinforced metal foil for insulating in the form of yarn containing graphite

**Claims**

Priority Filing Date: September 28, 2017, Country or Office: EUIPO (EU), Application No: 017259052 in association with the same kind of goods

**Application Number** 1,890,465  
**Language of Application** English

**Filing Date** 2018-03-27

## APPLICANT AND AGENT DETAILS

### Applicant

ContiTech USA, Inc.  
703 S. Cleveland-Massillon Road  
Fairlawn, OH 44333-3023  
UNITED STATES OF AMERICA

### Agent

SMART & BIGGAR LLP  
SUITE 900, 55 METCALFE STREET, P.O.  
BOX 2999, STATION D, OTTAWA, ONTARIO,  
K1P5Y6

## TRADEMARK DETAILS

# CrimplQ

### Trademark Type

Word

### Goods

#### Class 09

electronic controller for crimping machines; controllers for crimping machines, namely cloud based software controllers for controlling crimping machines

**Application Number** 1,890,543  
**Language of Application** English

**Filing Date** 2018-03-27

## APPLICANT AND AGENT DETAILS

### Applicant

VIGOR SYSTEMS, INC.  
4250 Executive Square, Suite 400  
La Jolla, CA 92037  
UNITED STATES OF AMERICA

### Agent

FURMAN IP LAW & STRATEGY PC  
300 - 1914 HAMILTON STREET, REGINA,  
SASKATCHEWAN, S4P3N6

## TRADEMARK DETAILS

### Trademark Type

Design

### Visual Representation

The logo for Edisen, featuring the word "Edisen" in a bold, sans-serif font. The letter "E" is stylized with a circular cutout in the center.

### Services

#### Class 35

(1) provide an online marketplace for users to trade and distribute digital audio, photo and video files to distribution outlets and to third parties

#### Class 42

(2) Software-as-a-service (SaaS) services for use by professionals, companies, and organizations to create, manage, organize, and distribute digital audio, photo and video files; Software-as-a-service (SaaS) services for use by professionals, companies, and organizations, namely provision of shared hosted computer applications for use to provide workflows with collaboration tools for sharing and editing digital audio, photo and video files by users, provide management of digital audio, photo and video files, workflows, process and related metadata namely resource type, permissions and when and how it was created

### Claims

Priority Filing Date: March 12, 2018, Country or Office: UNITED STATES OF AMERICA,  
Application No: 87830209 in association with the same kind of services



**Application Number** 1,890,660  
**Language of Application** English

**Filing Date** 2018-03-28

## APPLICANT AND AGENT DETAILS

### Applicant

Days for Girls International  
102 Ohio Street  
Bellingham, WA 98225  
UNITED STATES OF AMERICA

### Agent

WILLIAM R. STEMPE  
(STEMPE & COMPANY), 233, 1100 - 8TH  
AVENUE S.W., CALGARY, ALBERTA, T2P3T8

## TRADEMARK DETAILS

### Trademark Type

Design

### Visual Representation



### Goods

#### Class 03

(1) bar of soap

#### Class 05

(2) menstruation pads, nursing pads, sanitary pads, cloth feminine hygiene kit namely a bag containing pads, shields, panty liners and panties

#### Class 09

(3) audiovisual displays

#### Class 10

(4) menstrual cups; rinsing bag for menstrual cups

#### Class 14

(5) lapel pins

#### Class 16

(6) stickers; instructional material namely flashcards, binders and books in the field of feminine hygienes;

#### Class 18

(7) back packs and canvas purses

#### Class 24

(8) embroidered labels and washcloths

#### Class 25

(9) t-shirts, underwear and aprons

**Class 26**

(10) sewing kits

**Services**

**Class 41**

(1) charitable donation services, namely, providing educational workshops and training in the field of women's health

**Class 45**

(2) charitable services, namely, providing care packages consisting primarily of personal care item

**Application Number** 1,890,661  
**Language of Application** English

**Filing Date** 2018-03-28

## APPLICANT AND AGENT DETAILS

### Applicant

Days for Girls International  
102 Ohio Street  
Bellingham, WA 98225  
UNITED STATES OF AMERICA

### Agent

WILLIAM R. STEMPE  
(STEMPE & COMPANY), 233, 1100 - 8TH  
AVENUE S.W., CALGARY, ALBERTA, T2P3T8

## TRADEMARK DETAILS

### Trademark Type

Design

### Visual Representation

DAYS  
FOR   
GIRLS  
INTERNATIONAL

### Goods

#### Class 03

(1) bar of soap

#### Class 05

(2) menstruation pads, nursing pads, sanitary pads, cloth feminine hygiene kit namely a bag containing pads, shields, panty liners and panties

#### Class 09

(7) audiovisual displays

#### Class 10

(3) menstrual cups; rinsing bag for menstrual cups

#### Class 14

(4) lapel pins

#### Class 16

(5) stickers; instructional material namely flashcards, binders and books in the field of feminine hygiene

**Class 18**

(6) back packs and canvas purses

**Class 25**

(8) t-shirts, underwear and aprons

**Class 26**

(9) sewing kits

**Services****Class 41**

(1) charitable donation services, namely, providing educational workshops and training in the field of women's health

**Class 45**

(2) charitable services, namely, providing care packages consisting primarily of personal care items

**Application Number** 1,890,697  
**Language of Application** English

**Filing Date** 2018-03-28

## APPLICANT AND AGENT DETAILS

### Applicant

Hyr Inc.  
27 W 24th Street, 6th Floor  
New York, NY 10010  
UNITED STATES OF AMERICA

### Agent

SMART & BIGGAR LLP  
1100-150 York street, TORONTO, ONTARIO,  
M5H3S5

## TRADEMARK DETAILS

### Trademark Type

Design

### Visual Representation



### Goods

#### Class 09

Downloadable mobile applications for mobile phones for providing information regarding users in the nature of personal profiles, posting user defined information in the nature of personal profile photographs, personal employment history, and links to personal social media accounts, searching databases in the field of independent contractors and employment opportunities, and for sending communication between users of the mobile application via electronic communications networks for the purpose of sharing and fulfilling business transaction information and employment opportunities; downloadable mobile applications for mobile phones for providing a marketplace for users to purchase and sell the services of others

### Claims

Priority Filing Date: March 25, 2018, Country or Office: UNITED STATES OF AMERICA,  
Application No: 87848855 in association with the same kind of goods

**Application Number** 1,890,720  
**Language of Application** English

**Filing Date** 2018-03-28

## APPLICANT AND AGENT DETAILS

### Applicant

Altia Plc  
P.O. Box 350  
00101 Helsingfors  
FINLAND

### Agent

OSLER, HOSKIN & HARCOURT LLP  
SUITE 6200, P.O. BOX 50, 1 FIRST  
CANADIAN PLACE, TORONTO, ONTARIO,  
M5X1B8

## TRADEMARK DETAILS

### Trademark Type

Design

### Visual Representation



### Colour Claim

Colour is claimed as a feature of the trademark. The colour gold is applied to the top of the bottle as well as its neck; the colours yellow, orange, red, magenta, blue and green appear in diagonal stripes swirled across the remainder of the bottle, in a pattern which repeats itself, starting with yellow at the upper left portion and ending with red at the lower-right portion and with the stripes meeting the colour gold at the bottle's neck in a perpendicular fashion, and swirling to meet the bottom of the bottle at an approximate angle of 45 degrees.

### Goods

#### Class 32

(1) Alcohol free wine.

#### Class 33

(2) Wine; fortified wine; sparkling wine; alcoholic beverages, namely mixed sparkling wine based beverages.

**Application Number** 1,890,744  
**Language of Application** English

**Filing Date** 2018-03-28

## APPLICANT AND AGENT DETAILS

### Applicant

Jane Post LLC  
240 W. 37th Street, 8th Floor  
New York, NY 10018  
UNITED STATES OF AMERICA

### Agent

NORTON ROSE FULBRIGHT CANADA LLP/S.  
E.N.C.R.L.,S.R.L.  
1, Place Ville Marie, Suite 2500, Montreal,  
QUEBEC, H3B1R1

## TRADEMARK DETAILS

# U.P.W.W.

### Trademark Type

Word

### Goods

#### Class 18

(1) All-purpose carrying bags, all-purpose athletic bags, airline travel bags, handbags, clutch bags, holdalls, beggar's bag, shoulder bags, tool holder bags [empty]; purses; luggage; pouches of leather; rucksacks, suitcases; backpacks; attaché cases, business card cases, credit card cases, key cases, cosmetic cases sold empty; wallet; telephone card cases; credit card cases; business card cases; travelling cases of leather; covers of leather for bow ties and for neck ties; umbrellas and parasols; walking sticks.

#### Class 25

(2) Business clothing, casual clothing and sport clothing; casual footwear, athletic footwear, evening footwear; headgear, namely hats and caps; working overalls, work pants, work shirts, work jackets, work coats, work shirts; underwear; working shoes; waistband; gloves (clothing); insoles and shoe soles; working suits; school uniforms, sport uniforms, uniforms for work wear, namely work shirts, work pants, overalls and work vests; boots; shirts; trousers

**Application Number** 1,891,242  
**Language of Application** English

**Filing Date** 2018-04-03

## APPLICANT AND AGENT DETAILS

### Applicant

Liquid Rubber Canada Inc.  
115 8th Line  
Unit 16  
Oakville  
ONTARIO  
L7T3N4

### Agent

MINDEN GROSS LLP  
145 KING STREET WEST, SUITE 2200,  
TORONTO, ONTARIO, M5H4G2

## TRADEMARK DETAILS

### Trademark Type

Design

### Visual Representation



### Goods

#### Class 02

(1) Elastomeric coating namely cold applied, and acrylic coating that protects surfaces namely against water damage, rust and chemicals that cause rust and corrosion.

#### Class 19

(2) Elastomeric coating namely liquid bitumen that protects surfaces namely against water damage, rust and chemicals that cause rust and corrosion.



**Application Number** 1,891,393  
**Language of Application** English

**Filing Date** 2018-04-03

## APPLICANT AND AGENT DETAILS

### Applicant

Icona, LLC  
2501 Seaport Drive  
Suite SH400  
Chester, PA 19013  
UNITED STATES OF AMERICA

### Agent

BLAKE, CASSELS & GRAYDON LLP  
INTELLECTUAL PROPERTY GROUP, SUITE  
4000, COMMERCE COURT WEST, 199 BAY  
STREET, TORONTO, ONTARIO, M5L1A9

## TRADEMARK DETAILS

# ICONA

### Trademark Type

Word

### Services

#### Class 43

hotels; resort hotels; hotel services; resort lodging services; providing temporary accommodations, namely, hotel rooms; rental of rooms for holding social functions, conferences, conventions, exhibitions, seminars and meetings; provision of general purpose facilities for meetings, conferences and exhibitions; provision of banqueting and social function facilities, namely rental of rooms for social functions, rental of function rooms for wedding receptions and birthday parties for special occasions

**Application Number** 1,891,434  
**Language of Application** English

**Filing Date** 2018-04-03

## APPLICANT AND AGENT DETAILS

### Applicant

CIZETA MEDICALI S.P.A.  
VIA IV NOVEMBRE 46  
20012 CUGGIONO, MILANO  
ITALY

### Agent

SMART & BIGGAR LLP  
SUITE 900, 55 METCALFE STREET, P.O.  
BOX 2999, STATION D, OTTAWA, ONTARIO,  
K1P5Y6

## TRADEMARK DETAILS

# VEINALGIC

### Trademark Type

Word

### Goods

#### Class 05

(1) Pharmaceutical preparations for the treatment of varicose veins; pharmaceutical preparations for the treatment of vascular diseases; sanitary preparations for medical purposes, namely, antiseptic preparations; plasters, materials for dressings, namely, medical plaster; disinfectants, namely, all-purpose disinfectants; adhesive plasters; cotton sticks for medical purposes; cotton wool for medical purposes; adhesive bands for medical purposes; surgical dressings; tissues impregnated with pharmaceutical lotions, namely, tissues impregnated with antibacterial preparations; dressings for use after a saphenectomy

#### Class 10

(2) Surgical, dental and veterinary instruments; medical instruments, namely, medical instruments for general examination; orthopedic articles, namely, orthopedic braces, orthopedic corsets, orthopedic girdles, orthopedic belts, orthopedic suspenders, elbow braces for medical purposes; suture materials; plaster bandages for orthopedic purposes; elastic stockings for surgical purposes; stockings for varices; belts for the treatment of varicose veins; heating and air cushions for medical purposes; bandages, elastic; supportive bandages; knee bandages, orthopedic; syringes for medical purposes

**Application Number** 1,891,765  
**Language of Application** French

**Filing Date** 2018-04-04

## APPLICANT AND AGENT DETAILS

### Applicant

UAVIA  
9 rue Charles Fourier  
91000 EVRY  
FRANCE

### Agent

BENOÎT & CÔTÉ INC.  
560 boul. Crémazie Est, 3e étage, Montréal,  
QUÉBEC, H2P1E8

## TRADEMARK DETAILS

# UAVIA

### Trademark Type

Word

### Goods

#### Class 09

(1) Apparatus for capturing, processing, transmitting, displaying or recording still and animated images by means of civilian and military drones, namely cameras and video cameras; apparatus for generating and transmitting flight instructions to civilian and military drones, namely controllers and receivers, GPS, radio transceiver apparatus; apparatus for generating and transmitting flight data and still or animated images from civilian and military drones, namely controllers and receivers, radio transceiver apparatus; computer equipment and software for communicating with civilian and military drones, namely optical sensors, distance sensors, speed sensors, database management software, software for processing still and animated images, Internet access software, computers for managing drone control devices, namely computer software enabling the communication, translation and transmission of data for managing, controlling and tracking drones; software enabling the collection, editing, organization, modification, transmission, storage and sharing of data and information for managing, controlling and tracking drones; computer equipment, sensors and software embedded in civilian and military drones, namely optical sensors, distance sensors, speed sensors, database management software, software for processing still and animated images, Internet access software, computers for managing civilian and military drone control devices, namely software enabling the communication, translation and transmission of data for managing, controlling and tracking civilian and military drones; software enabling the collecting, editing, organization, modification, transmission, storage and communication of data and information for managing, controlling and tracking civilian and military drones; communications networks between civilian and military drones and ground equipment, and between civilian and military drones and other civilian and military drones, namely computer programs for connecting to remote computers and computer networks; charging apparatus and stations for drone batteries, battery chargers for civilian and military drones, drone charging stations.

#### Class 12

(2) Remote-controlled vehicles, namely robotic cars and aircraft; civilian drones; military drones.

### Services

**Class 38**

(1) Wireless transmission of data in the nature of photography data and flight data from drones and of flight instruction data to drones.

**Class 42**

(2) Computer software design in relation to the capture, transmission, display and recording of still or animated images taken by drones, the generation and transmission of flight instructions to drones, the generation and transmission of flight data from drones, remote communication between drones and ground equipment or between drones and other drones, drone battery charge management.

**Class 45**

(3) Surveillance services related to the security of people and material goods, in particular by means of drones.

**Claims**

Priority Filing Date: October 04, 2017, Country or Office: FRANCE, Application No: 17 4 393 740 in association with the same kind of goods and in association with the same kind of services

**Application Number** 1,891,901  
**Language of Application** English

**Filing Date** 2018-04-05

## APPLICANT AND AGENT DETAILS

### Applicant

Abercrombie & Fitch Trading Co.  
6301 Fitch Path  
New Albany, OH 43054  
UNITED STATES OF AMERICA

### Agent

CPST INTELLECTUAL PROPERTY INC.  
Brookfield Place, 181 Bay Street, Suite 2425,  
Toronto, ONTARIO, M5J2T3

## TRADEMARK DETAILS

# CARPE DENIM

### Trademark Type

Standard Characters

### Services

#### Class 35

Retail store services featuring clothing, fashion accessories, namely jewelry, watches, scarves, hair ornaments, belts, sunglasses and socks for all of the foregoing, and bags, headwear, footwear, candles, personal care products, namely non-medicated skin care preparations, and swimwear

### Claims

Priority Filing Date: October 06, 2017, Country or Office: UNITED STATES OF AMERICA,  
Application No: 87/635988 in association with the same kind of services

**Application Number** 1,892,614  
**Language of Application** English

**Filing Date** 2018-04-09

## APPLICANT AND AGENT DETAILS

### Applicant

Tri-Seal Holdings, Inc., a Delaware corporation  
460 E. Swedesford Rd., Suite 3000  
Wayne, PA 19087  
UNITED STATES OF AMERICA

### Agent

MOFFAT & CO.  
P.O. Box 2088, Station D, Ottawa, ONTARIO,  
K1P5W3

## TRADEMARK DETAILS

### Trademark Type

Design

### Visual Representation



### Colour Claim

Colour is claimed as a feature of the trademark. The colours blue (PANTONE 2727C\*) and black are claimed as a feature of the mark. The mark consists of the word 'TRI' in a stylized blue font followed by 3 crescent shapes, where the crescent on the left is in light blue, the crescent in the middle is in blue, and the crescent on the right is in dark blue, followed by the word 'SEAL' in a stylized black font. \*PANTONE is a registered trademark.

### Goods

#### Class 17

(1) Extruded plastic products, namely, extruded plastics for use in manufacturing, extruded plastics in the form of tubes for use in manufacture; plastic material in extruded form for use in production; plastics in extruded form for use in further manufacturing; plastics in extruded form used in production; non-metal and non-paper bottle closure seals and liners; non-metal and non-paper bottle closure seals and liners for product containers the pharmaceutical, nutraceutical, personal care, food/beverage, and consumer products industries

#### Class 20

(2) Non-metallic bottle closures

### Claims

Priority Filing Date: February 01, 2018, Country or Office: UNITED STATES OF AMERICA, Application No: 87/779,433 in association with the same kind of goods

**Application Number** 1,892,707  
**Language of Application** English

**Filing Date** 2018-04-04

## APPLICANT AND AGENT DETAILS

### Applicant

Advanced Hearing Ontario Inc.  
1032 Brock Street South, Unit 4  
Whitby  
ONTARIO  
L1N4L8

### Agent

AIRD & BERLIS LLP  
BROOKFIELD PLACE, SUITE 1800, 181 BAY  
STREET, BOX 754, TORONTO, ONTARIO,  
M5J2T9

## TRADEMARK DETAILS

# AUDIOLOGY SISTERS

### Trademark Type

Word

### Goods

#### Class 10

(1) Hearing Aids; ear impressions

#### Class 16

(2) Calendars, flyers and newsletters

### Services

#### Class 35

(1) providing information relating to the purchase of hearing aids

#### Class 37

(2) hearing aid cleaning and repairs;

#### Class 41

(3) online instructional videos relating to the care of hearing aids

#### Class 44

(4) Audiological testing, namely hearing testing, auditory brainstem response testing and otoacoustic emissions testing; hearing assessment, diagnosis and consultation services; hearing aid, in-ear monitor and ear plug fittings; programming and tuning of hearing aids; cerumen management services; lyric hearing aid insertions and wireless hearing aid installations.

**Application Number** 1,893,584  
**Language of Application** English

**Filing Date** 2018-04-13

## APPLICANT AND AGENT DETAILS

### Applicant

ADP DISTRIBUTORS INC.  
18940 - 94th Avenue  
Surrey  
BRITISH COLUMBIA  
V4N4X5

### Agent

SMART & BIGGAR LLP  
1100-150 York street, TORONTO, ONTARIO,  
M5H3S5

## TRADEMARK DETAILS

# ROTOMASTER

### Trademark Type

Word

### Goods

#### Class 07

(1) Machine coupling and transmission components, except for land vehicles, and components thereof; parts of machines, namely, clack valves and valves; flow guiding devices, namely, machine parts for mechanically affecting the flow of gas turbines, hydraulic turbines, air turbines, steam turbines, turbine pumps; machines, namely, air compressors and compressors, in particular exhaust gas turbochargers for charging internal combustion engines; mechanical equipment in the nature of turbines, compressors, central hubs in the nature of center hub rotating assemblies and fan disks for affecting the flow for exhaust gas turbochargers of internal combustion engines; machine parts, namely, flow regulators for exhaust gases of internal combustion engines; blades, as machine parts for exhaust gas turbochargers of internal combustion engines; motors, namely, adjustment drives and adjustment devices comprised thereof for exhaust gas turbochargers of internal combustion engines; check valves for exhaust gas turbochargers of internal combustion engines; turbo chargers and superchargers for industrial machine engines and parts therefor; engine parts, namely, electronic fuel injection modules; Fuel injector parts for land vehicle engines; fuel injection systems for engines.

(2) Turbo chargers and superchargers for land vehicles and parts therefor.

### Claims

Priority Filing Date: April 12, 2018, Country or Office: UNITED STATES OF AMERICA, Application No: 87/873,861 in association with the same kind of goods (1)



**Application Number** 1,893,781  
**Language of Application** English

**Filing Date** 2018-04-16

## APPLICANT AND AGENT DETAILS

**Applicant**  
TAN CHUN  
No. 86-1, Hejiang St., 10th Neighborhood  
Zhufu Li, Zhongshan Dist.  
Taipei City 10479  
TAIWAN

**Agent**  
NEOMARK LTD.  
7450 rue Saint-Hubert, Montréal, QUEBEC,  
H2R2N3

## TRADEMARK DETAILS

**Trademark Type**  
Design

### Visual Representation



### Foreign Character Translation

As provided by the applicant, LAO YE GUO means 'grandpa's pot'. TAI WAN SHAO GUO means 'Taiwan cooking pot'.

### Foreign Character Transliteration

As provided by the applicant, the three bigger Chinese characters in middle of the mark transliterate to LAO YE GUO. The four Chinese characters on the left transliterate to TAI WAN SHAO GUO.

### Goods

#### Class 29

(1) meat; fish, not live; preserved vegetables; prepared meals primarily consisting of cooked vegetables; eggs; milk; tofu

#### Class 30

(2) bread; coffee; food flavourings; non-alcoholic tea-based beverages; relishes; seasonings

### Services

**Class 35**

(1) advertising agency services; business management assistance; commercial business administration of the licensing of the goods and services of others; business marketing consulting services

**Class 43**

(2) canteen services; restaurant services; snack-bar services

**Application Number** 1,894,018  
**Language of Application** English

**Filing Date** 2018-04-17

## APPLICANT AND AGENT DETAILS

### Applicant

Quantium Digital Pty. Limited  
Level 25, 8 Chifley, 8-12 Chifley Square  
Sydney NSW 2000  
AUSTRALIA

### Agent

DONNA L. MACEWEN  
(MCINNES COOPER), 141 Kent Street, Suite  
300, Charlottetown, PRINCE EDWARD  
ISLAND, C1A1N3

## TRADEMARK DETAILS

# QUANTIUM

### Trademark Type

Word

### Goods

#### Class 09

Computer software and downloadable online software applications for compiling, collecting, displaying integrating, curating, evaluating and analyzing data for the purpose of providing actuarial services, data modelling and predictive analysis in the areas of marketing, cost price analysis, business operations, retail and wholesale sale of consumer goods and consumer services, banking, financial services, namely, personal, commercial and institutional financial services, advertising, media, namely, print, audiovisual, audio, electronic and social media, commercial and residential real estate, federal, provincial and municipal government administration services and health care; computer software and downloadable online software applications for analyzing and processing data and information in the areas of marketing, cost price analysis, business operations, retail and wholesale sale of consumer goods and consumer services, banking, financial services, namely, personal, commercial and institutional financial services, advertising, media, namely, print, audiovisual, audio, electronic and social media, commercial and residential real estate, federal, provincial and municipal government administration services and health care; computer software and downloadable online software applications that use data analytics, applied analytics, actuarial information, and online applications for business intelligence, artificial intelligence and machine learning for business purposes in the areas of marketing, cost price analysis, business operations, retail and wholesale sale of consumer goods and consumer services, banking, financial services, namely, personal, commercial and institutional financial services, advertising, media, namely, print, audiovisual, audio, electronic and social media, commercial and residential real estate, federal, provincial and municipal government administration services and health care; computer software and downloadable online software applications for processing market and business information in the areas of marketing, cost price analysis, business operations, retail and wholesale sale of consumer goods and consumer services, banking, financial services, namely, personal, commercial and institutional financial services, advertising, media, namely, print, audiovisual, audio, electronic and social media, commercial and residential real estate, federal, provincial and municipal government administration services and health care, none of the foregoing being computer software designed for data storage except data storage software that is ancillary to the provision of data analytics, actuarial services, data modelling, predictive analysis, market

information analysis, and data storage software that is used for business intelligence, artificial intelligence and machine learning, and data storage software that is used for processing market and business information

## Services

### Class 35

(1) Advertising services, namely, media selection and sourcing for advertising purposes for others; advisory and consultancy services in relation to advertising and marketing strategies for others in the areas of marketing, cost price analysis, business operations, retail and wholesale sale of consumer goods and consumer services, banking, financial services, namely, personal, commercial and institutional financial services, advertising, media, namely, print, audiovisual, audio, electronic and social media, commercial and residential real estate, federal, provincial and municipal government administration services and health care; business administration; business development services; conducting business and market research for others in the areas of marketing, cost price analysis, business operations, retail and wholesale sale of consumer goods and consumer services, banking, financial services, namely, personal, commercial and institutional financial services, advertising, media, namely, print, audiovisual, audio, electronic and social media, commercial and residential real estate, federal, provincial and municipal government administration services and health care; business modelling services for others in the areas of marketing, cost price analysis, business operations, retail and wholesale sale of consumer goods and consumer services, banking, financial services, namely, personal, commercial and institutional financial services, advertising, media, namely, print, audiovisual, audio, electronic and social media, commercial and residential real estate, federal, provincial and municipal government administration services and health care; market research studies; business management services relating to business and marketing information and data compiling and analyzing for others in the areas of marketing, cost price analysis, business operations, retail and wholesale sale of consumer goods and consumer services, banking, financial services, namely, personal, commercial and institutional financial services, advertising, media, namely, print, audiovisual, audio, electronic and social media, commercial and residential real estate, federal, provincial and municipal government administration services and health care; data management advisory and consultancy services in the form of the collection, compilation, updating and maintenance of business and consumer marketing data for in the areas of marketing, cost price analysis, business operations, retail and wholesale sale of consumer goods and consumer services, banking, financial services, namely, personal, commercial and institutional financial services, advertising, media, namely, print, audiovisual, audio, electronic and social media, commercial and residential real estate, federal, provincial and municipal government administration services and health care; data processing for the collection of data for business purposes for others in the areas of marketing, cost price analysis, business operations, retail and wholesale sale of consumer goods and consumer services, banking, financial services, namely, personal, commercial and institutional financial services, advertising, media, namely, print, audiovisual, audio, electronic and social media, commercial and residential real estate, federal, provincial and municipal government administration services and health care; data processing and the collection of data for marketing purposes for others in the areas of marketing, cost price analysis, business operations, retail and wholesale sale of consumer goods and consumer services, banking, financial services, namely, personal, commercial and institutional financial services, advertising, media, namely, print, audiovisual, audio, electronic and social media, commercial and residential real estate, federal, provincial and municipal government administration services and health care; market research; collection of market research information; market research data collection and data retrieval services, namely, collection, compilation, updating and maintenance of marketing and business

data; digital market tracking services, namely, conducting consumer tracking behavior research and consumer trend analysis, tracking and reporting online marketing activities of others, market research, market research studies; analytic models for understanding and predicting consumer, business and market trends and actions in the areas of marketing, cost price analysis, business operations, retail and wholesale sale of consumer goods and consumer services, banking, financial services, namely, personal, commercial and institutional financial services, advertising, media, namely, print, audiovisual, audio, electronic and social media, commercial and residential real estate, federal, provincial and municipal government administration services and health care; interpretation of market research data; market analysis services; market analysis reporting services; advisory and consultancy services to others relating to marketing management; business consultancy services relating to marketing; collection of information relating to market research and market analysis; consumer market information services for others, namely, collection, compilation, updating and maintenance of marketing and business data in the areas of marketing, cost price analysis, business operations, retail and wholesale sale of consumer goods and consumer services, banking, financial services, namely, personal, commercial and institutional financial services, advertising, media, namely, print, audiovisual, audio, electronic and social media, commercial and residential real estate, federal, provincial and municipal government administration services and health care; market assessment services; market research and analysis, namely, market forecasting specializing in the use of analytic models for understanding and predicting consumer, business and market trends and actions; developing business and marketing plans for others; strategic consultancy services for others in the areas of digital marketing, cost price analysis, business operations, retail and wholesale sale of consumer goods and consumer services, banking, financial services, namely, personal, commercial and institutional financial services, advertising, media, namely, print, audiovisual, audio, electronic and social media, commercial and residential real estate, federal, provincial and municipal government administration services and health care; developing business and marketing communications strategies for others; business consulting services for others in the areas of marketing, cost price analysis, business operations, retail and wholesale sale of consumer goods and consumer services, banking, financial services, namely, personal, commercial and institutional financial services, advertising, media, namely, print, audiovisual, audio, electronic and social media, commercial and residential real estate, federal, provincial and municipal government administration services and health care; cost price analysis; price analysis and price comparison services; consumer market research information services; data gathering services for others, namely, compilation of information into computer databases; web based data gathering services for others, namely, compilation of information into computer databases for others

### **Class 36**

(2) Actuarial services; business consulting namely analyzing financial information for others; financial risk management; collection of financial information from others for the purposes of analysis and assessment of consumer, business and market trends; financial analysis and assessment of consumer, business and market trends; financial economic analysis; preparation and analysis of financial reports; providing digital market tracking services for others, namely, analyzing and compiling data for measuring performance of financial markets; financial analysis, research and consultancy services for others using analytic models for understanding and predicting consumer, business and market trends and actions in the areas of marketing, cost price analysis, business operations, retail and wholesale sale of consumer goods and consumer services, banking, financial services, namely, personal, commercial and institutional financial services, advertising, media, namely, print, audiovisual, audio, electronic and social media, commercial and residential real estate, federal, provincial and municipal government

administration services and health care; financial market forecasting specializing in the use of analytic models for understanding and predicting consumer, business and market trends and actions; business appraisals for financial evaluation, namely, financial appraisals of businesses

### **Class 42**

(3) Online provision of non-downloadable web based software and online non-downloadable application software for data analytics, compiling and analyzing data for providing actuarial services, data modeling and predictive analysis for market information, business intelligence, artificial intelligence and machine learning for business purposes and for business information in the areas of marketing, cost price analysis, business operations, retail and wholesale sale of consumer goods and consumer services, banking, financial services, namely, personal, commercial and institutional financial services, advertising, media, namely, print, audiovisual, audio, electronic and social media, commercial and residential real estate, federal, provincial and municipal government administration services and health care; design and development of computer software for others including digital and online applications, for data analytics, applied analytics, actuarial service, data modelling, predictive analysis and for analyzing market information; development of computer software; development of computer software including digital and online applications, that use data analytics, applied analytics, actuarial service, data modelling, predictive analysis and market information; development of software including digital and online applications, for business intelligence, artificial intelligence and machine learning; computer support services being computer programming, computer software programming and software installation, repair and maintenance services; hosting of software as a service (SAAS) that simulates human intelligence, reasoning and data processing and which uses machine learning techniques to create artificial intelligence for use in the areas of marketing, cost price analysis, business operations, retail and wholesale sale of consumer goods and consumer services, banking, financial services, namely, personal, commercial and institutional financial services, advertising, media, namely, print, audiovisual, audio, electronic and social media, commercial and residential real estate, federal, provincial and municipal government administration services and health care; software engineering; electronic data storage ancillary only to the provision of data analysis, applied analytics, actuarial services, data modelling, predictive analysis and for analyzing market information, and not as a stand-alone service in the areas of marketing, cost price analysis, business operations, retail and wholesale sale of consumer goods and consumer services, banking, financial services, namely, personal, commercial and institutional financial services, advertising, media, namely, print, audiovisual, audio, electronic and social media, commercial and residential real estate, federal, provincial and municipal government administration services and health care

### **Class 45**

(4) Licensing of software, licensing of intellectual property, and licensing of technology all the foregoing being for or in relation to the provision of data analytics, applied analytics, actuarial services, data modelling, predictive analysis, market information analysis, business information analysis, and software that is used for business intelligence, artificial intelligence and machine learning, and software that is used for processing market and business information in the areas of marketing, cost price analysis, business operations, retail and wholesale sale of consumer goods and consumer services, banking, financial services, namely, personal, commercial and institutional financial services, advertising, media, namely, print, audiovisual, audio, electronic and social media, commercial and residential real estate, federal, provincial and municipal government administration services and health care and none of the foregoing being licensing of software, intellectual property or technology for data storage except for data storage ancillary to the provision of data analytics, applied analytics, actuarial services, data modelling, predictive

analysis, market information analysis, business information analysis, and data storage that is used for business intelligence, artificial intelligence and machine learning, and data storage that is used for processing market and business information

**Application Number** 1,894,060  
**Language of Application** English

**Filing Date** 2018-04-17

## APPLICANT AND AGENT DETAILS

### Applicant

Servomex Group Limited  
Jarvis Brook, Crowborough  
East Sussex, TN6 3FB  
UNITED KINGDOM

### Agent

BERESKIN & PARR LLP/S.E.N.C.R.L., S.R.L.  
SCOTIA PLAZA, 40 KING STREET WEST,  
40th FLOOR, TORONTO, ONTARIO, M5H3Y2

## TRADEMARK DETAILS

# HUMMINGBIRD

### Trademark Type

Word

### Goods

#### Class 09

(1) Oxygen analyzers; gas and oxygen sensing equipment, namely oxygen sensors and gas sensors

(2) Oxygen sensors



**Application Number** 1,894,801  
**Language of Application** English

**Filing Date** 2018-04-19

## APPLICANT AND AGENT DETAILS

### Applicant

Donegan Assistance Group Pty Ltd  
55 Edgecombe Road  
Kyneton, Victoria, 3444  
AUSTRALIA

### Agent

SMART & BIGGAR LLP  
2300 - 1055 West Georgia Street, P.O. Box  
11115, Vancouver, BRITISH COLUMBIA,  
V6E3P3

## TRADEMARK DETAILS

### Trademark Type

Design

### Visual Representation

**TRANSCOOL**

### Goods

#### Class 11

electric fans with evaporative cooling device; ventilating fans; electric fans with evaporative cooling devices; portable electric fans; electric fans for household purposes; air conditioners; cooling evaporators

**Application Number** 1,894,802  
**Language of Application** English

**Filing Date** 2018-04-19

## APPLICANT AND AGENT DETAILS

### Applicant

Donegan Assistance Group Pty Ltd  
55 Edgecombe Road  
Kyneton, Victoria, 3444  
AUSTRALIA

### Agent

SMART & BIGGAR LLP  
2300 - 1055 West Georgia Street, P.O. Box  
11115, Vancouver, BRITISH COLUMBIA,  
V6E3P3

## TRADEMARK DETAILS

# TRANSCOOL

### Trademark Type

Word

### Goods

#### Class 11

electric fans with evaporative cooling device; ventilating fans; electric fans with evaporative cooling devices; portable electric fans; electric fans for household purposes; air conditioners; cooling evaporators

**Application Number** 1,895,071  
**Language of Application** English

**Filing Date** 2018-04-23

## **APPLICANT DETAILS**

### **Applicant**

Nathalie Amlani  
34 Servington Cres  
M4S2J4  
Toronto  
ONTARIO  
M4S2J4

## **TRADEMARK DETAILS**

# **PICTONAT PHOTOGRAPHY**

### **Trademark Type**

Word

### **Services**

#### **Class 40**

(1) photo printing

#### **Class 41**

(2) photography services; photo editing; photography events and workshops

**Application Number** 1,895,228  
**Language of Application** English

**Filing Date** 2018-04-23

## APPLICANT AND AGENT DETAILS

### Applicant

G.H. MUMM & Cie, Société Vinicole de  
champagne, successeur  
29 rue du Champ de Mars  
51100 REIMS  
FRANCE

### Agent

LAVERY, DE BILLY, LLP  
1 Place Ville Marie, Suite 4000, Montréal,  
QUEBEC, H3B4M4

## TRADEMARK DETAILS

### Trademark Type

Position

### Visual Representation



### Trademark Description

The trademark is two dimensional. The bottle in three-dimension appearing in dotted lines in the drawing does not form part of the trademark. The trademark consists in the terms G.H. MUM, the terms CORDON VERT, the crest and the ribbon affixed on a three-dimensional bottle and the term MUMM with a ribbon on the cap.

### Colour Claim

Colour is claimed as a feature of the trade-mark. The cap is gold with the term MUMM in black and a green ribbon. On the bottle, the crest, the term G.H. MUMM and CORDON VERT are gold and the ribbon is green.

### Goods

#### Class 33

Alcoholic beverages namely wines, sparkling wines and wines benefitting from the controlled appellation of origin Champagne.

### Claims

Priority Filing Date: November 03, 2017, Country or Office: FRANCE, Application No: 17 4 401 313  
in association with the same kind of goods

**Application Number** 1,895,277  
**Language of Application** English

**Filing Date** 2018-04-23

## APPLICANT AND AGENT DETAILS

### Applicant

South Western Ontario Regional Wado-Ryu  
Karate-Do Organization  
22 Buchanan Dr  
Caledonia  
ONTARIO  
N3W1H1

### Agent

D. PAUL TACKABERRY  
(RIDOUT & MAYBEE LLP), 250 University  
Avenue, 5th Floor, Toronto, ONTARIO,  
M5H3E5

## TRADEMARK DETAILS

### Trademark Type

Design

### Visual Representation



### Goods

#### Class 06

(1) karate tournament trophies of common metal

#### Class 14

(2) medallions

#### Class 16

(3) paper cups; pens; graphic vehicle decals; stickers

#### Class 18

(4) bags, namely, gym bags, back packs and overnight bags

#### Class 21

(5) coffee mugs; vacuum flasks; water bottles

#### Class 25

(6) clothing, namely, gis, karate belts, t-shirts, sweatshirts, hoodies, jackets, coats; shoes, boots; shorts, shirts, headbands, wristbands; baseball caps; toques; gloves

#### Class 26

(7) cloth patches for clothing; prize ribbons

#### Class 28

(8) sparring equipment, namely, gloves for martial arts; kick pads for martial arts

### Services

#### Class 35

(1) association services promoting the interests of karate trainers and students

**Class 41**

(2) training for judging martial arts competitions; providing karate clinics, seminars, workshops and educational classes; conducting karate grading sessions; conducting self-defense classes; conducting Shindo clinics and classes; arranging and conducting karate programs within schools for special education classes; arranging karate tournaments; film and video production in the field of karate; providing information in the field of karate via a website

**Application Number** 1,895,533  
**Language of Application** English

**Filing Date** 2018-04-24

## APPLICANT AND AGENT DETAILS

### Applicant

Kverneland Group Les Landes Génusson S.A.  
S.  
9 rue du Poitou  
85130 Les Landes Génusson  
FRANCE

### Agent

BORDEN LADNER GERVAIS LLP  
World Exchange Plaza, 100 Queen Street,  
Suite 1300, Ottawa, ONTARIO, K1P1J9

## TRADEMARK DETAILS

# TRIFLEX

### Trademark Type

Standard Characters

### Goods

#### Class 07

Agricultural machines, namely, slurry incorporators, hay balers, seed drills, agricultural cultivators, combine harvesters, agricultural implements, namely, power-operated hay balers, seed drills, agricultural cultivators, combine harvesters, motorized cultivators, soil cultivators, soil packers, namely, agricultural rollers, agricultural plows, harrows, parts and fittings for the aforesaid goods.

### Claims

Priority Filing Date: April 18, 2018, Country or Office: EUIPO (EU), Application No: 017888897 in association with the same kind of goods



**Application Number** 1,896,025  
**Language of Application** English

**Filing Date** 2018-04-26

## APPLICANT AND AGENT DETAILS

### Applicant

Taleworlds Entertainment Yazilim Teknolojileri  
Anonim Sirketi  
Üniversiteler Mahallesi, Ihsan Dogramaci  
Bulvari No:27  
ODTÜ Teknokent Galyum Blok  
Çankaya 06531  
Ankara  
TURKEY

### Agent

BAKER & MCKENZIE LLP  
BROOKFIELD PLACE, 181 BAY STREET,  
SUITE 2100, P.O. BOX 874, TORONTO,  
ONTARIO, M5J2T3

## TRADEMARK DETAILS

# WARBAND

### Trademark Type

Word

### Goods

#### Class 09

(1) Computer software for entertainment purposes, namely computer software for creating computer games; computer game programs, namely, computer games; downloadable computer software, namely, computer programs and software for playing computer games on recorded media and delivered digitally to personal computers; downloadable computer games and video games; downloadable computer game instructions, tips and strategies for computer games; mobile computing devices, namely, tablet computers, cellular phones and head-mounted video displays; downloadable computer game software featuring interactive and multimedia functions that enable the user to integrate text, audio, graphics, still images and moving pictures

#### Class 28

(2) Computer game joysticks and computer game consoles, electronic games, hand held computer games, handheld computing devices in the nature of handheld units for playing electronic games for use with external display screen; video game consoles, parts and fittings for all the aforesaid goods; playing cards, playthings related to computer games, namely, toy action figures and action figure accessories, board games, parts and fittings for all the aforesaid goods

### Services

#### Class 41

Entertainment services in the nature of providing on-line computer games; providing on-line information in the field of computer gaming entertainment; multimedia publishing of computer game software and video games software; multimedia entertainment services, namely, providing of on-line computer games, tips and strategies for computer games, providing on-line information in the field of computer gaming entertainment, arranging and conducting computer game competitions, in the fields of computer games and video games; educational services, namely, conducting of workshops, seminars, conventions, congresses and conferences in the field of

computer games; providing of training in the field of computer and video games; production of animated computer games and video games; publication of magazines, books, newspapers in the field of computer and video games via a global computer network; production of films, video films, radio and television programs

**Application Number** 1,896,173  
**Language of Application** English

**Filing Date** 2018-04-27

## APPLICANT AND AGENT DETAILS

### Applicant

Ritesh Kumar Suresh Kalati  
P.O. Box 8549  
Dubai  
UNITED ARAB EMIRATES

### Agent

ANITA MAR  
dba Trademark Angel , 2679 Howard Avenue,  
Suite 521, Windsor, ONTARIO, N8X3X2

## TRADEMARK DETAILS

# RUMI

### Trademark Type

Word

### Goods

#### Class 03

(1) Beauty care cosmetics; beauty creams for body care; body and beauty care cosmetics; body care soap; body sprays used as personal deodorants and fragrances; cosmetic creams and lotions for face and body care; cosmetic preparations for hair care; cosmetic skin care lotions; cosmetic skin care preparations; cosmetics; cosmetics for personal use; deodorants for personal use; emulsions, gels and lotions for skin care; fragrances for personal use; hair care preparations; lip care preparations; lotions for face and body care; lotions for face and body care for cosmetic purposes; personal deodorants; skin care creams; soaps for body care; soaps for personal use; sun care lotions.

#### Class 18

(2) Athletic bags; children's shoulder bags; all purpose carrying bags, backpacks, book bags, sports bags, bum bags, wallets and handbags.

#### Class 20

(3) Bolsters; cushions.

#### Class 21

(4) Drinking bottles for sports; heat-insulated containers for beverages; insulated flasks; insulating flasks; plastic bottles; sports bottles sold empty; thermal insulated containers for food or beverages; thermally insulated containers for food.

#### Class 24

(5) Towels, namely cotton towels, cotton hand towels and beach towels; linen covers, namely covers for cushions, duvets covers and pillow covers.

#### Class 25

(6) Yoga pants; yoga shoes; athletic apparel; athletic clothing; athletic footwear; athletic shorts; athletic tights; athletic wear; baby pants; casual pants; jogging pants; moisture-wicking sports pants; pants; short pants; beachwear; caps; dress clothing; scarves; sandals; tank tops; casual clothing.

**Class 27**

(7) Gymnastic mats; personal exercise mats; personal sitting mats; plastic floor mats; rubber floor mats; rubber mats; textile floor mats; yoga mats.

**Class 28**

(8) Gym balls for yoga; yoga blocks; yoga straps; athletic supporters; bags designed for sports equipment, Fitness equipment.

**Services****Class 35**

(1) Online sales of body care products; online sales of products, namely online sales of clothing, online sales of footwear, online sales of headgear, online sales of sporting goods.

**Class 41**

(2) Online coaching and training, namely classes, seminars and workshops in the fields of fitness and healthy living, namely healthy diet, weight loss, healthy cooking, healthy nutrition, healthy eating habits, setting life goals, meditation methods and prevention of and recovery from illness and injury.

**Application Number** 1,897,090  
**Language of Application** French

**Filing Date** 2018-05-02

## **APPLICANT DETAILS**

### **Applicant**

Francois LEROUX  
894, Chemin du Fleuve  
Les Cèdres  
QUÉBEC  
J7T1B2

## **TRADEMARK DETAILS**

# **VOS DROITS, VOS CHOIX, VOTRE NOTAIRE**

### **Trademark Type**

Word

### **Services**

#### **Class 45**

Notary public services.

**Application Number** 1,897,216  
**Language of Application** English

**Filing Date** 2018-05-03

## APPLICANT AND AGENT DETAILS

### Applicant

Novartis AG  
CH-4002 Basel  
SWITZERLAND

### Agent

SMART & BIGGAR LLP  
1100-150 York street, TORONTO, ONTARIO,  
M5H3S5

## TRADEMARK DETAILS

# GENREPLA

### Trademark Type

Word

### Goods

#### Class 05

pharmaceutical preparations and gene therapy products in the nature of injectable biologic preparations for treating spinal atrophy, loss of motor neurons, muscle degeneration, muscle weakness, and paralysis; pharmaceutical preparations and gene therapy products in the nature of biological preparations containing genetic materials for treating spinal muscular atrophy, loss of motor neurons, muscle degeneration, muscle weakness, and paralysis; gene therapy preparation in the nature of biological preparations containing genetic materials for sustained survival motor neuron protein expression

### Claims

Priority Filing Date: November 06, 2017, Country or Office: UNITED STATES OF AMERICA, Application No: 87/673,637 in association with the same kind of goods

**Application Number** 1,897,338  
**Language of Application** English

**Filing Date** 2018-05-03

## APPLICANT AND AGENT DETAILS

### Applicant

KERRIDGE COMMERCIAL SYSTEMS  
LIMITED  
Unit 2a Herongate, Charnham Park  
Hungerford, Berkshire  
RG170YU  
UNITED KINGDOM

### Agent

MARKS & CLERK  
100 Simcoe Street, Suite 200, TORONTO,  
ONTARIO, M5H3G2

## TRADEMARK DETAILS

# KERRIDGE CS

### Trademark Type

Word

### Goods

#### Class 09

Computer software for managing sales activities, inventory, customer relationships, namely customer contact management, sales management, business productivity management, tracking communications with customers, customer sales cycles and customer sales support, financial management, and performing data analytics, namely analyzing customer data, sales order and shipping data, sales figures, sales returns of goods, delivery time of goods, sales order and shipping logistics, profit margins, customer credits, accounts receivables and key performance indicators for sales and marketing, in the distribution industry, namely distributors, merchants, wholesalers and retailers in a variety of businesses; computer software for customer relationship management and financial accounting in the distribution industry, namely distributors, merchants, wholesalers and retailers in a variety of businesses; computer programs for use in the distribution industry, namely computer software to facilitate communications between buyers and suppliers, generate customized price lists for customers, generate invoices, process orders and payments for use in the distribution industry, namely distributors, merchants, wholesalers and retailers in a variety of businesses; computer programs for document management; computer software for administration of local area networks.

### Services

#### Class 35

(1) Business management services and accounting services; pricing analysis; supply chain management services; business management consulting services in the field of information technology.

#### Class 36

(2) Financial services, namely, financial transaction and payment processing services for others, namely, providing secure credit card and debit card payments relating to the distribution industry, namely distributors, merchants, wholesalers and retailers in a variety of businesses.

#### Class 39

(3) Transport of goods by air, road, rail and sea; packaging of articles for transportation.

**Class 42**

(4) Computer services and computer software services, namely, providing temporary use of online nondownloadable software for managing sales activities, inventory, customer relationships, financial management and performing data analytics in the distribution industry; computer software services, namely, providing temporary use of online non-downloadable software for customer relationship management and financial accounting in the distribution industry, namely distributors, merchants, wholesalers and retailers in a variety of businesses; design and development of computer software for logistics, supply chain management and e-business portals; rental of computer software.

**Claims**

Priority Filing Date: March 23, 2018, Country or Office: EUIPO (EU), Application No: 017879269 in association with the same kind of goods and in association with the same kind of services



**Application Number** 1,897,376  
**Language of Application** English

**Filing Date** 2018-05-03

## APPLICANT AND AGENT DETAILS

**Applicant**  
KERRIDGE COMMERCIAL SYSTEMS  
LIMITED  
Unit 2a Herongate, Charnham Park  
Hungerford, Berkshire  
RG17 0YU  
UNITED KINGDOM

**Agent**  
MARKS & CLERK  
100 Simcoe Street, Suite 200, TORONTO,  
ONTARIO, M5H3G2

## TRADEMARK DETAILS

# KERRIDGECS

**Trademark Type**  
Word

### Goods

#### Class 09

Computer software for managing sales activities, inventory, customer relationships, namely customer contact management, sales management, business productivity management, tracking communications with customers, customer sales cycles and customer sales support, financial management, and performing data analytics, namely analyzing customer data, sales order and shipping data, sales figures, sales returns of goods, delivery time of goods, sales order and shipping logistics, profit margins, customer credits, accounts receivables and key performance indicators for sales and marketing, in the distribution industry, namely distributors, merchants, wholesalers and retailers in a variety of businesses; computer software for customer relationship management and financial accounting in the distribution industry, namely distributors, merchants, wholesalers and retailers in a variety of businesses; computer programs for use in the distribution industry, namely computer software to facilitate communications between buyers and suppliers, generate customized price lists for customers, generate invoices, process orders and payments for use in the distribution industry, namely distributors, merchants, wholesalers and retailers in a variety of businesses; computer programs for document management; computer software for administration of computer local area networks.

### Services

#### Class 35

(1) Business management services and accounting services; pricing analysis; supply chain management services; business management consulting services in the field of information technology.

#### Class 36

(2) Financial services, namely, financial transaction and payment processing services for others, namely, providing secure credit card and debit card payments relating to the distribution industry, namely distributors, merchants, wholesalers and retailers in a variety of businesses.

#### Class 39

(3) Transport of goods by air, road, rail and sea; packaging of articles for transportation.

**Class 42**

(4) Computer services and computer software services, namely, providing temporary use of online nondownloadable software for managing sales activities, inventory, customer relationships, financial management and performing data analytics in the distribution industry; computer software services, namely, providing temporary use of online non-downloadable software for customer relationship management and financial accounting in the distribution industry, namely distributors, merchants, wholesalers and retailers in a variety of businesses; design and development of computer software for logistics, supply chain management and e-business portals; rental of computer software.

**Claims**

Priority Filing Date: March 23, 2018, Country or Office: EUIPO (EU), Application No: 017879270 in association with the same kind of goods and in association with the same kind of services

**Application Number** 1,897,717  
**Language of Application** English

**Filing Date** 2018-05-07

## APPLICANT AND AGENT DETAILS

### Applicant

AUTOGRAPH COMMUNICATIONS INC.  
1515 Bonneville Cres  
Orléans  
ONTARIO  
K1C7M9

### Agent

PERLEY-ROBERTSON, HILL & MCDOUGALL  
LLP  
1400 - 340 ALBERT STREET, OTTAWA,  
ONTARIO, K1R0A5

## TRADEMARK DETAILS

# POPTERNATIVE

### Trademark Type

Word

### Goods

#### Class 09

(1) electronic books; downloadable electronic publications in the nature of magazines

#### Class 16

(2) books; magazines

### Services

#### Class 35

(1) providing information via a website in the field of social media strategy and marketing

#### Class 38

(2) podcasting of shows in the field of sports, movies, television, social media strategy and marketing, exercise, mental health, physical fitness, news and video games; broadcasting of radio and television programs in the field of sports, movies, television, social media strategy and marketing, exercise, mental health, physical fitness, news, video games and music

#### Class 41

(3) providing information via a website in the field of sports, movies, television, exercise, physical fitness, news, video games and music; production and distribution of radio and television programs in the field of sports, movies, television, social media strategy and marketing, exercise, mental health, physical fitness, news, video games and music

#### Class 42

(4) providing information via a website in the field of video game software design

#### Class 44

(5) providing information via a website in the field of health and wellness, namely, nutrition, diet planning and stress management; providing information via a website in the field of mental health

**Application Number** 1,897,718  
**Language of Application** English

**Filing Date** 2018-05-07

## APPLICANT AND AGENT DETAILS

**Applicant**  
AUTOGRAPH COMMUNICATIONS INC.  
1515 Bonneville Cres  
Orléans  
ONTARIO  
K1C7M9

**Agent**  
PERLEY-ROBERTSON, HILL & MCDUGALL  
LLP  
1400 - 340 ALBERT STREET, OTTAWA,  
ONTARIO, K1R0A5

## TRADEMARK DETAILS

**Trademark Type**  
Design

**Visual Representation**



### Goods

#### Class 09

(1) electronic books; downloadable electronic publications in the nature of magazines

#### Class 16

(2) books; magazines

### Services

#### Class 35

(1) providing information via a website in the field of social media strategy and marketing

#### Class 38

(2) podcasting of shows in the field of sports, movies, television, social media strategy and marketing, exercise, mental health, physical fitness, news and video games; broadcasting of radio and television programs in the field of sports, movies, television, social media strategy and marketing, exercise, mental health, physical fitness, news, video games and music

#### Class 41

(3) providing information via a website in the field of sports, movies, television, exercise, physical fitness, news, video games and music; production and distribution of radio and television programs in the field of sports, movies, television, social media strategy and marketing, exercise, mental health, physical fitness, news, video games and music

#### Class 42

(4) providing information via a website in the field of video game software design

#### Class 44

(5) providing information via a website in the field of health and wellness, namely, nutrition, diet planning and stress management; providing information via a website in the field of mental health

**Application Number** 1,897,744  
**Language of Application** English

**Filing Date** 2018-05-07

## APPLICANT AND AGENT DETAILS

### Applicant

CLOVER8 INVESTMENTS PTE. LTD.  
71 Clover Crescent  
579232  
SINGAPORE

### Agent

BERESKIN & PARR LLP/S.E.N.C.R.L., S.R.L.  
SCOTIA PLAZA, 40 KING STREET WEST,  
40th FLOOR, TORONTO, ONTARIO, M5H3Y2

## TRADEMARK DETAILS

# LET'S TALK SUGAR

### Trademark Type

Standard Characters

### Services

#### Class 35

(1) promotional sponsorship of special events, namely, sponsorship and management of parties and summits for the dating and sugar daddy and sugar baby community; marketing and promoting the goods and services of others through advertisements at special events, namely, social networking and dating events

#### Class 38

(2) providing access to a website featuring blogs and non-downloadable publications in the nature of news articles, blog posts, videos and commentary in the field(s) of current events, beauty, fashion, health, travel, money, advice, entertainment, technology, books and fine arts as it relates to dating and the sugar daddy and baby lifestyle

#### Class 41

(3) entertainment services, namely, providing ongoing webisodes featuring news, blogs, and information regarding the sugar daddy and baby lifestyle and dating topics via a global computer network; providing information featuring blogs and non-downloadable publications in the nature of news articles, blog posts, videos and commentary in the field(s) of current events, beauty, fashion, health, travel, money, advice, entertainment, technology, books and fine arts as it relates to dating and the sugar daddy and baby lifestyle, via a website

**Application Number** 1,897,862  
**Language of Application** English

**Filing Date** 2018-05-07

## APPLICANT AND AGENT DETAILS

**Applicant**  
AQUALITAS INC.  
1550 BEDFORD HIGHWAY, SUITE 310A  
BEDFORD  
NOVA SCOTIA  
B4A1E6

**Agent**  
STEWART MCKELVEY  
600-1741 Lower Water Street, Halifax, NOVA  
SCOTIA, B3J3P6

## TRADEMARK DETAILS

**Trademark Type**  
Design

**Visual Representation**



### Colour Claim

Colour is claimed as a feature of the trademark. Colour is claimed as a feature of the trade-mark. The colour blue (PANTONE 0821C)\* is claimed as a feature of the entire mark. \*PANTONE is a registered trademark.

### Goods

#### Class 03

(1) Cannabis infused lotions, balms, oils and creams, for administration of marihuana and cannabis by application to the skin.

#### Class 05

(2) Equipment and products for administering marihuana and cannabis, namely buccal sprays and gel caps; transdermal patches for administration of marihuana and cannabis by application to the skin.

#### Class 16

(3) Printed publications on the subject of marihuana and cannabis.

#### Class 29

(4) Edible oil, namely marihuana and cannabis oil; edible oils and butters.

#### Class 30

(5) Marihuana and cannabis edibles, namely cakes, cookies, cereal bars, brownies, muffins, cupcakes, confectionery, candies, biscuits, and cannabis infused beverages namely tea, and cannabis infused carbonated and non-carbonated beverages.

**Class 31**

(6) Marihuana and cannabis seeds for planting; live marihuana and cannabis plants.

**Class 34**

(7) Dried marihuana and cannabis; cannabis oil for oral vaporizers for smoking and electronic cigarettes; marihuana and cannabis derivatives, namely resins, hashes, waxes, tinctures, salves, pastes, and powders and concentrated cannabis hashes, pastes, butters, oils, taffies, shatters, waxes, resins, and powders; equipment and products for administering marihuana and cannabis, namely hand pipes, water pipes, hookahs, nebulizers, atomizers; oral vaporizers for smoking marihuana and cannabis.

**Services**

**Class 35**

(1) Sale of: medical marihuana and cannabis, marihuana and cannabis, marihuana and cannabis derivatives, marihuana and cannabis seeds and plants, dried marihuana and cannabis, marihuana and cannabis oil, marihuana and cannabis edibles, printed publications on the subject of marihuana and cannabis, and equipment and products for administering marihuana and cannabis, namely hand pipes, water pipes, hookahs, nebulizers, atomizers, buccal sprays, gel caps, cannabis infused lotions, balms, oils and creams, and transdermal patches and oral vaporizers for smoking.

**Class 39**

(2) Distribution and transportation of marihuana and cannabis, by truck, air and courier.

**Class 40**

(3) Processing of marihuana and cannabis to provide various marihuana and cannabis derivatives and edible products for sale to wholesale and retail customers.

**Class 41**

(4) Educational services on the topic of marihuana and cannabis

**Class 44**

(5) Cultivation and breeding of marihuana and cannabis; Providing information about marihuana and cannabis.



**Application Number** 1,897,985  
**Language of Application** English

**Filing Date** 2018-04-30

## APPLICANT AND AGENT DETAILS

### Applicant

CarProof Corporation  
RCMP Building  
130 Dufferin Street, Suite 1101  
London  
ONTARIO  
N6A5R2

### Agent

DANIEL F. SO  
(McKenzie Lake Lawyers LLP), 140 Fullarton  
Street, Suite 1800, London, ONTARIO, N6A5P2

## TRADEMARK DETAILS

# TRUE TRADE

### Trademark Type

Word

### Goods

#### Class 09

Consumer internet access software for the electronic searching of various databases for the purpose of compiling vehicle data on motor vehicles

**Application Number** 1,898,048  
**Language of Application** French

**Filing Date** 2018-05-08

## APPLICANT AND AGENT DETAILS

### Applicant

Mels Studios et Postproduction s.e.n.c.  
1600, boul. de Maisonneuve Est  
Montréal  
QUÉBEC  
H2L4P2

### Agent

FASKEN MARTINEAU DUMOULIN LLP  
800 rue Square-Victoria, BUREAU 3700, C.P.  
242, MONTREAL, QUÉBEC, H4Z1E9

## TRADEMARK DETAILS

### Trademark Type

Design

### Visual Representation



## Services

### Class 41

(1) Audiovisual services, namely sound pre-production, production and post-production services related to television, film, documentary and videographic productions for the Internet, consulting in sound production, sound editing and mixing of voices, dubbing, sound effects, post-synchronization and video description, namely oral description of elements appearing in television, film, documentary and videographic productions, which can include elements about the set, clothing and body language, project management for audiovisual pre-production, audiovisual production and audiovisual post-production.

### Class 42

(2) Sound design and sound environment creation, namely use of sound elements to achieve a specific effect in television, film, documentary and videographic productions, as well as in the making of audio books and the development of video games and advertisements.

**Application Number** 1,898,051  
**Language of Application** French

**Filing Date** 2018-05-08

## APPLICANT AND AGENT DETAILS

### Applicant

Mels Studios et Postproduction s.e.n.c.  
1600, boul. de Maisonneuve Est  
Montréal  
QUÉBEC  
H2L4P2

### Agent

FASKEN MARTINEAU DUMOULIN LLP  
800 rue Square-Victoria, BUREAU 3700, C.P.  
242, MONTREAL, QUÉBEC, H4Z1E9

## TRADEMARK DETAILS

# AUDIO ZONE

### Trademark Type

Word

### Services

#### Class 41

(1) Audiovisual services, namely sound pre-production, production and post-production services related to television, film, documentary and videographic productions for the Internet, consulting in sound production, sound editing and mixing of voices, dubbing, sound effects, post-synchronization and video description, namely oral description of elements appearing in television, film, documentary and videographic productions, which can include elements about the set, clothing and body language, project management for audiovisual pre-production, audiovisual production and audiovisual post-production.

#### Class 42

(2) Sound design and sound environment creation, namely use of sound elements to achieve a specific effect in television, film, documentary and videographic productions, as well as in the making of audio books and the development of video games and advertisements.

**Application Number** 1,898,074  
**Language of Application** English

**Filing Date** 2018-05-08

## APPLICANT AND AGENT DETAILS

### Applicant

Cedar Fair, L.P.  
One Cedar Point Drive  
Sandusky, OH 44870  
UNITED STATES OF AMERICA

### Agent

FASKEN MARTINEAU DUMOULIN LLP  
333 BAY STREET, SUITE 2400, BAY  
ADELAIDE CENTRE, BOX 20, TORONTO,  
ONTARIO, M5H2T6

## TRADEMARK DETAILS

# IT'S AMAZING IN HERE

### Trademark Type

Word

### Services

#### Class 41

Amusement park services.

### Claims

Priority Filing Date: February 08, 2018, Country or Office: UNITED STATES OF AMERICA,  
Application No: 87/789,986 in association with the same kind of services

**Application Number** 1,898,338  
**Language of Application** English

**Filing Date** 2018-05-09

## **APPLICANT DETAILS**

**Applicant**  
Bhavya Gaur  
PO Box 326  
Schomberg  
ONTARIO  
L0G1T0

## **TRADEMARK DETAILS**

**Trademark Type**  
Design

### **Visual Representation**

**MADE WITH LOVE ♥ PURE & WHOLESOME**

### **Goods**

#### **Class 14**

(1) pet collar charms

#### **Class 18**

(2) dog apparel; dog leashes; pet collars

#### **Class 28**

(3) toys for cats; toys for dogs

#### **Class 31**

(4) edible pet treats

(5) beverages for cats; beverages for dogs; biscuits for animals; canned dog food; edible chews for dogs; pet food

**Application Number** 1,898,895  
**Language of Application** English

**Filing Date** 2018-05-14

## APPLICANT AND AGENT DETAILS

### Applicant

Lead with Diversity Inc.  
102 - 1015 Wilkes Avenue  
Winnipeg  
MANITOBA  
R3P2R8

### Agent

RONALD S. ADE LAW CORPORATION  
102 - 1015 Wilkes Avenue, Winnipeg,  
MANITOBA, R3P2R8

## TRADEMARK DETAILS

# LEAD WITH DIVERSITY

### Trademark Type

Word

### Services

#### Class 41

(1) training and executive coaching services in the fields of ethnic and cultural diversity, and leadership development

#### Class 45

(2) consulting services in the fields of ethnic and cultural diversity

**Application Number** 1,899,339  
**Language of Application** English

**Filing Date** 2018-05-15

## **APPLICANT AND AGENT DETAILS**

### **Applicant**

SAVE-ON-FOODS LIMITED PARTNERSHIP  
19855 - 92A Avenue  
Langley  
BRITISH COLUMBIA  
V1M3B6

### **Agent**

FARRIS LLP  
P.O. BOX 10026 PACIFIC CENTRE SOUTH,  
TORONTO DOMINION BANK TOWER, 700  
WEST GEORGIA STREET, VANCOUVER,  
BRITISH COLUMBIA, V7Y1B3

## **TRADEMARK DETAILS**

# **SAVE-ON-FOODS OUR VERY BEST**

### **Trademark Type**

Word

### **Goods**

**Class 29**

Fresh beef.

**Application Number** 1,899,538  
**Language of Application** English

**Filing Date** 2018-05-16

## APPLICANT AND AGENT DETAILS

### Applicant

SÖKTAS TEKSTİL SANAYİ VE TİCARET  
ANONİM ŞİRKETİ  
Cumhuriyet Mahallesi  
Akeller Cadde. No:54/A\_  
09201 Söke/Aydın  
TURKEY

### Agent

OYEN WIGGS GREEN & MUTALA LLP  
480-THE STATION, 601 WEST CORDOVA  
STREET, VANCOUVER, BRITISH  
COLUMBIA, V6B1G1

## TRADEMARK DETAILS

### Trademark Type

Design

### Visual Representation



LIGNE OFFICIELLE

### Goods

#### Class 24

(1) Woven textiles, namely, fabrics for use in the manufacture of shirts, clothing, towels, table linen, bed linen, household linen; non-woven textiles, namely, fabrics for use in the manufacture of shirts, clothing, towels, table linen, bed linen, household linen; fiberglass fabrics for textile use; fabric impervious to gases for aeronautical balloons; waterproof fabrics, namely, waterproof fabric for manufacturing clothing, furniture, luggage and automobile upholstery; gummed waterproof cloth; fabric of imitation animal skins; textile linings, namely, linen lining fabric for shoes, textile used as lining for clothing; buckram; filtering materials of textile, namely, chemical fiber fabrics, synthetic fiber fabrics, inorganic fiber mixed fabrics all for use in filtering liquids and powders; quilts of textile; woolen blankets; bath mitts; bath linen; hand towels; face towels of textile; bathing towels; tapestries of textile; traveling rugs, namely, lap rugs; curtains of textile; shower curtains of textile; shower curtains of plastics; oilcloth for use as table cloths; bed blankets; bed sheets; bedspreads; bed linen; diapered linen, namely linens and cotton fabrics with a woven pattern of repeated units of design; pillowcases; quilt covers; furniture coverings of textile, namely, unfitted fabric furniture covers; upholstery fabrics; table napkins of textile; bed covers of paper; banners of textile, namely, cloth banners; flags not of paper, namely, cloth flags, fabric flags; cloth labels; baby bedding, namely, swaddling blankets, fitted crib sheets, crib skirts, crib blankets, and diaper changing pad covers not of paper.

#### Class 25

(2) Clothing, namely, trousers, jackets, overcoats, coats, skirts, suits, sleeveless jerseys, sports jerseys, team jerseys, waistcoats, shirts, athletic shirts, body shirts, button down shirts, collared



shirts, corduroy shirts, dress shirts, knit shirts, leather shirts, long-sleeved shirts, night shirts, open-necked shirts, polo shirts, shirts and short-sleeved shirts, shirts for infants, babies, toddlers and children, shirts for suits, short-sleeved shirts, sport shirts, turtle neck shirts, woven shirts, ready-made leather linings being parts of clothing, T-shirts, sweatshirts, dresses, bermuda shorts, shorts, pajamas, pullovers, jeans, tracksuits, rainwear, beachwear, bathing suits, swimming suits; maternity clothing, namely, shirts; women's clothing, namely, shirts; sports clothing; clothing for babies, namely, shirts, pants, coats, dresses; underclothing, namely, boxer shorts, brassieres, briefs, pants; socks; footwear, namely shoes excluding orthopedic shoes, sandals, waterproof boots, walking boots, booties, sporting shoes, slippers; shoe parts namely heel pieces, insoles for footwear, boot uppers; shoe uppers; headgear, namely caps, skull caps, sports caps, hats, berets; gloves; body stockings; clothing belts; camisoles; sarongs; scarves; neck scarves; shawls; detachable collars for dresses and shirts; neckties; bow ties; suspender belts.

## **Services**

### **Class 35**

Advertising agency services; advertising flyer distribution; advertising on the Internet for others; advertising text publication services for others; advertising the goods and services of others; production of advertising materials for others; advertising the goods and services of others through all public communication means; direct mail advertising of the goods and services of others; business marketing consulting services; conducting marketing studies; development of marketing strategies and concepts for others; marketing analysis services; marketing research; providing marketing strategies for others; provision of marketing reports; public relations; arranging and conducting textile shows and exhibitions; arranging and conducting textile trade fairs; production of advertising materials for others; operating marketplaces; document reproduction; photocopying; typing services; word processing; secretarial services; arranging newspaper subscriptions for others; compilation of statistics; rental of office machines; computer database management services; telephone answering for unavailable subscribers; business management; business administration services; business administration consultancy; business management consultancy; accounting; consulting services in the field of selecting appropriate textiles for use in particular commercial applications; personnel recruitment; personnel placement; employment agencies; import-export agencies; temporary personnel placement services; auctioneering; retail, wholesale, online sale and mail order services in relation with clothing, footwear, headgear, textiles and fabrics.

**Application Number** 1,899,801  
**Language of Application** English

**Filing Date** 2018-05-17

## APPLICANT AND AGENT DETAILS

### Applicant

Bushwacker, Inc.  
6710 N. Catlin Avenue  
Portland, OR 97203  
UNITED STATES OF AMERICA

### Agent

BERESKIN & PARR LLP/S.E.N.C.R.L., S.R.L.  
SCOTIA PLAZA, 40 KING STREET WEST,  
40th FLOOR, TORONTO, ONTARIO, M5H3Y2

## TRADEMARK DETAILS

# TRAIL ARMOR

### Trademark Type

Word

### Goods

#### Class 12

Frameless fitted roof covers for compact and mid-sized off-road and sport utility vehicles

### Claims

Priority Filing Date: November 29, 2017, Country or Office: UNITED STATES OF AMERICA,  
Application No: 87/702100 in association with the same kind of goods

**Application Number** 1,899,834  
**Language of Application** English

**Filing Date** 2018-05-17

## APPLICANT AND AGENT DETAILS

### Applicant

PALDO CO., LTD.  
7th Floor, 577, Gangnam-daero  
Seocho-gu  
Zip Code 06530  
Seoul  
REPUBLIC OF KOREA

### Agent

SMITHS IP  
SUITE 400 - 1367 WEST BROADWAY,  
VANCOUVER, BRITISH COLUMBIA, V6H4A7

## TRADEMARK DETAILS

### Trademark Type

Design

### Visual Representation



### Foreign Character Translation

The translation provided by the applicant of the Korean words KING-CUP is "king cup". The translation provided by the applicant of the Korean word PALDO is "eight provinces of the Korean kingdom Joseon".

### Foreign Character Transliteration

The transliteration provided by the applicant of the Korean characters is KING-CUP.

### Goods

#### Class 30

Dried pasta; pasta-wrappings for gyoza; noodles; noodle-based prepared meals; hominy grits; instant noodles; ribbon vermicelli; uncooked somen wheat noodles; pasta for soups; spaghetti; Asian noodles; udon noodles; soba noodles; instant Chinese noodles; uncooked spaghetti; pasta.

**Application Number** 1,899,838  
**Language of Application** English

**Filing Date** 2018-05-17

## APPLICANT AND AGENT DETAILS

### Applicant

PALDO CO., LTD.  
7th Floor, 577, Gangnam-daero  
Seocho-gu  
Zip Code 06530  
Seoul  
REPUBLIC OF KOREA

### Agent

SMITHS IP  
SUITE 400 - 1367 WEST BROADWAY,  
VANCOUVER, BRITISH COLUMBIA, V6H4A7

## TRADEMARK DETAILS

### Trademark Type

Design

### Visual Representation



### Foreign Character Translation

The translation provided by the applicant of the Korean word PALDO is "eight provinces of the Korean kingdom Joseon". The translation provided by the applicant of the Korean word GIM is "seaweed".

### Foreign Character Transliteration

The transliteration provided by the applicant of the Korean characters is PALDO GIM.

### Goods

#### Class 29

Sheets of dried laver; toasted laver; laver powder; vegetable and seaweed chips.

**Application Number** 1,899,929  
**Language of Application** English

**Filing Date** 2018-05-18

## APPLICANT AND AGENT DETAILS

### Applicant

SANOFI-AVENTIS Deutschland GmbH  
Brüningstrasse 50  
65926 Frankfurt am Main  
GERMANY

### Agent

BERESKIN & PARR LLP/S.E.N.C.R.L., S.R.L.  
SCOTIA PLAZA, 40 KING STREET WEST,  
40th FLOOR, TORONTO, ONTARIO, M5H3Y2

## TRADEMARK DETAILS

### Trademark Type

Design

### Visual Representation



### Colour Claim

Colour is claimed as a feature of the trade-mark. The trademark consists of the term 'Dulcolax'. All of the letters in this term are depicted in the colour dark green, with the exception of the letter 'o', that is depicted in dark green on the left side of the design feature inside the letter 'o', and light green with a thin yellow border on the right side of the design feature inside the letter 'o'. The colours dark green, light green and yellow are claimed as features of the mark

### Goods

#### Class 05

Pharmaceutical preparations for the treatment of the alimentary tract, namely, gastrointestinal disorders, inflammatory bowel diseases and constipation.

**Application Number** 1,900,029  
**Language of Application** English

**Filing Date** 2018-05-18

## APPLICANT AND AGENT DETAILS

### Applicant

Schmidt Spiele GmbH  
Lahnstraße 21  
12055 Berlin  
GERMANY

### Agent

RIDOUT & MAYBEE LLP  
11 Holland Avenue, Suite 601 , Ottawa,  
ONTARIO, K1Y4S1

## TRADEMARK DETAILS

### Trademark Type

Design

### Visual Representation



### Colour Claim

Colour is claimed as a feature of the trademark. The mark consists of a rainbow S design. The 4 colour bands in the S design are, from top to bottom, yellow, red, dark blue, and light blue. Underneath the S design is the word Schmidt which is dark blue. The S design and word Schmidt are inside a window design which is black.

### Goods

#### Class 09

(1) audio books; digital music downloadable provided from the Internet; digital books downloadable from the Internet; e-books; downloadable digital music; downloadable digital photos; downloadable printing fonts; downloadable electronic books; down-loadable movies; talking books;

#### Class 16

(2) art prints; graphic prints; pictures; appliqués of paper; die-cut paper shapes; modelling paste; paper badges; storage containers made of paper; stationery stickers; writing tablets; adhesive printed labels; labels of paper; cardboard labels; photo albums; printed calendars; gift stationery, namely, pencils, pens, letter openers, note pads, booklets; illustrated wall maps; illustrated notepads; bookmarkers; office binders; note pads; monthly planners; note books; stationery writing

pads; postcards; ring binders; paper signboards; composition books; writing or drawing books; document portfolios; diaries; daily planners; pocket calendars; desk calendars; envelope paper; drawing pads; address books; colouring books; printed stories in illustrated form; picture postcards; books; score books; collages; photograph prints; photographic reproductions; printed art reproductions; gift cards; paper pennants; paper emblems; banners of paper; posters; posters made of paper; placards of cardboard; poster magazines; postcards and picture postcards; collectable cards; scrapbook pages; sticker activity books; score pads; trading cards; wall decals; periodicals

### **Class 28**

(3) draughtboards; backgammon games; mechanical toys; games, namely, card games, dice games, educational games for children; dice; Mah-jong; disc counters for games; dolls for playing; marbles for playing games; board games relating to fictional characters; playing cards; toy action figurines; action toys; wind-up toys; wind-up walking toys; stuffed toys; backgammon sets; toy building blocks; construction toys; cups for dice; dolls' clothes; rubber toys; bingo cards; board games; compendiums of board games; dominoes; electronic board games; electronic games, namely electronic games for the teaching of children, electronic hand-held games; electronic toys, namely electronic learning toys, electronic action toys; fantasy character toys; spinning fidget toys; memory games; question sets for board games; hand puppets; toy hand tools; wooden toys; Japanese playing cards; balls for juggling; kaleidoscopes; skittles game; crib toys; toys for use in perambulators; marbles for games; toy dough; manipulative puzzles; stuffed bean-filled toys; toy spinning tops; toy buckets made of plastics; toys adapted for educational purposes; mechanical action toys; multi-part construction toys; toy human characters; miniatures for use in games, namely miniature action figurines; toy building blocks capable of interconnection; toy mobiles; nine man's morris sets; paper dolls; toys made of plastics; plush dolls; plush toys; toy puzzle mats; puzzles; jigsaw puzzles; cube puzzles; squeezable squeaking toys; quiz games; ring games, namely quoits, quoit game sets; roulette sets; lottery scratch cards; trading cards for games; chessboards; chess pieces; chess games; stuffed puppets; wooden toy building blocks; game boards for trading card games; play money; toy figures; cases for playing cards; playing balls; roulette chips; poker chips; play mats containing infant toys; doll playsets; checkers pieces; toys made of wood; toy puzzles; toys being for sale in kit form, namely toy model kits, toy scale model kits; toy building block sets; interlocking toy construction pieces; toy buckets; plastic character toys; toy figure playsets; toy rattles; dolls; interlocking construction toys; sports games; toy animals; fabric toys; tarot cardplaying cards; trivia game cards;

### **Services**

#### **Class 35**

(1) preparing promotional and merchandising material for others; advertising the goods and services of others; advertising the goods and services of others and marketing services in the field of arranging distribution of goods and services of others; distribution of advertising, marketing and promotional material for the goods and services of others; advertising, marketing and promotional consultancy, advisory and assistance services, to advise and assist others in the sale of goods and services;

#### **Class 41**

(2) entertainment services, namely entertainment in the form of live theatrical and musical performances; children's entertainment services, namely entertainment in the form of puppet shows, children's television, children's theatre productions, magic shows, live music performances; film production for entertainment purposes

**Class 45**

(3) licensing authority services; licensing industrial property rights; granting of licences to others for the use of industrial property rights and copyright

**Claims**

Priority Filing Date: November 21, 2017, Country or Office: EUIPO (EU), Application No: 017507039 in association with the same kind of goods and in association with the same kind of services



**Application Number** 1,900,387  
**Language of Application** English

**Filing Date** 2018-05-22

## APPLICANT AND AGENT DETAILS

### Applicant

ADELAIDE CAPITAL MARKETS INC.  
59 Natalie Place  
Toronto  
ONTARIO  
M4M3P6

### Agent

BENNETT JONES LLP  
SUITE 3400, ONE FIRST CANADIAN PLACE,  
P.O. BOX 130, TORONTO, ONTARIO,  
M5X1A4

## TRADEMARK DETAILS

# ADELAIDE CAPITAL MARKETS

### Trademark Type

Word

### Services

#### Class 35

(1) business organization and management consultancy services, providing advice and information relating to commercial business management; business management; Business administration services; business management consultation; media relations services; corporate and commercial advisory and consultancy services relating to corporate standards and practices to ensure compliance with corporation regulatory, privacy and security laws; corporate identity services; corporate image development consultation; business marketing consulting services, developing marketing strategies and marketing concepts for others, market analysis and research services, market reports and studies; investor relations services; management consulting services in the field of public affairs communications, government relations, and campaign management namely developing promotional campaigns for business for others;

#### Class 36

(2) Financial asset management services; Financial management, financial risk assessment services; financial analysis and consultation services, financial forecasting, financial statement and report preparation and analysis for businesses

#### Class 42

(3) website design and development consultancy

#### Class 45

(4) Business consulting services relating to risk assessment, development and implementation of emergency crisis management and response plan

**Application Number** 1,900,492  
**Language of Application** English

**Filing Date** 2018-05-23

## APPLICANT AND AGENT DETAILS

### Applicant

TrueBlue, Inc.  
1015 A Street  
Tacoma, WA 98401  
UNITED STATES OF AMERICA

### Agent

CLARK WILSON LLP  
900 - 885 WEST GEORGIA STREET,  
VANCOUVER, BRITISH COLUMBIA, V6C3H1

## TRADEMARK DETAILS

# TRUEBLUE

### Trademark Type

Standard Characters

### Goods

#### Class 09

Computer software for interface on a global computer network for use to manage a database and monitor the entire process of recruitment of personnel; software for use in recruiting, registration and management of third party vendors and vendor contracts for retailing, logistics, call center operations, food production, event management, manufacturing, administration, information technology, engineering, and skilled and semi-skilled labor; software for use in management of third party invoices; software for use in performance tracking of third party vendors for retailing, logistics, call center operations, food production, event management, manufacturing, administration, information technology, engineering, and skilled and semi-skilled labor; software used for human resource management, staffing, recruiting, employment compliance and hiring

### Services

#### Class 35

Employment recruitment services, namely, candidate management services; business services, namely, recruiting, registration and management of third party vendors and vendor contracts for retailing, logistics, call center operations, food production, event management, manufacturing, administration, information technology, engineering, and skilled and semi-skilled labor; business management, namely, performance tracking of third party vendors; business management assistances in the form of contract management services; payroll administration and management services, namely, vendor payment management services; human resource management; employment staffing services in the fields of retailing, logistics, call center operations, food production, event management, manufacturing, administration, information technology, engineering, and skilled and semi-skilled labor; employment recruiting services; employment hiring services; employment staffing in the field of commercial truck driving; employment staffing in the field of aviation industry; employment counseling in the fields of maintenance and repair of vehicles for others; employment staffing in the field of maintenance and repair of vehicles; recruitment and placement of personnel in the field of maintenance and repair of vehicles

**Application Number** 1,900,666  
**Language of Application** English

**Filing Date** 2018-05-24

## APPLICANT AND AGENT DETAILS

### Applicant

Foremost Groups, Inc.  
906 Murray Road  
East Hanover, NJ 07936  
UNITED STATES OF AMERICA

### Agent

MARKS & CLERK  
180 KENT STREET, SUITE 1900, P.O. BOX  
957, STATION B, OTTAWA, ONTARIO,  
K1P5S7

## TRADEMARK DETAILS

# METRO KITCHEN EXPRESS

### Trademark Type

Word

### Goods

#### Class 20

kitchen cabinets

**Application Number** 1,900,679  
**Language of Application** English

**Filing Date** 2018-05-24

## APPLICANT AND AGENT DETAILS

### Applicant

Snap Inc.  
63 Market Street  
Venice, CA 90291  
UNITED STATES OF AMERICA

### Agent

SMART & BIGGAR LLP  
1100-150 York street, TORONTO, ONTARIO,  
M5H3S5

## TRADEMARK DETAILS

# LENS STUDIO

### Trademark Type

Word

### Goods

#### Class 09

Downloadable computer application software for personal computers, mobile phones, portable media players, and handheld computers, namely, software for creating, editing, sharing and sending digital photos, videos, namely, movies, television programs and user uploaded video clips, images in the nature of photographic images and digital images, emojis, avatars, emoticons, text messages, audio in the nature of digital music files and voice messages, augmented reality content, namely, augmented reality games, and video games to others via the global computer network

**Application Number** 1,900,729  
**Language of Application** English

**Filing Date** 2018-05-24

## APPLICANT AND AGENT DETAILS

### Applicant

Almond Franchising Inc.  
92 North Town Road  
Winnipeg  
MANITOBA  
R3Y0H2

### Agent

FILLMORE RILEY LLP  
1700 - 360 Main Street, Winnipeg, MANITOBA,  
R3C3Z3

## TRADEMARK DETAILS

### Trademark Type

Design

### Visual Representation

**ALMOND**  
NAIL BAR

### Services

#### Class 44

body waxing services for the human body; cosmetic facial and body treatment services; eyebrow threading services; manicure and pedicure services; nail care services

**Application Number** 1,900,854  
**Language of Application** English

**Filing Date** 2018-05-25

## APPLICANT AND AGENT DETAILS

### Applicant

Certis U.S.A. L.L.C.  
9145 Guilford Road  
Suite 175  
Columbia, MD 21046  
UNITED STATES OF AMERICA

### Agent

GOWLING WLG (CANADA) LLP  
SUITE 2600, 160 ELGIN STREET, OTTAWA,  
ONTARIO, K1P1C3

## TRADEMARK DETAILS

# BOTEGHA

### Trademark Type

Word

### Goods

#### Class 01

(1) Plant and crop protection products, namely, chemical preparations for preventing pathogenic infections in plants

#### Class 05

(2) Plant and crop protection products, namely, pesticides; insecticides; bioinsecticides

### Claims

Priority Filing Date: December 04, 2017, Country or Office: UNITED STATES OF AMERICA, Application No: 87/110,838 in association with the same kind of goods (2); December 04, 2017, Country or Office: UNITED STATES OF AMERICA, Application No: 87/706,863 in association with the same kind of goods (1)

**Application Number** 1,900,906  
**Language of Application** English

**Filing Date** 2018-05-25

## APPLICANT DETAILS

### Applicant

T Well Technology Co. Ltd.  
4372 Simcoe Street  
Niagara Falls  
ONTARIO  
L2E1T6

## TRADEMARK DETAILS

### Trademark Type

Design

### Visual Representation



### Goods

#### Class 08

(1) electric and battery-powered hair clippers for pets; electric nail grinders for pets; nail clippers for pets; nail trimmers for pets;

#### Class 09

(2) cases and bags for spectacles and sunglasses; Sunglasses for Pets; Activity trackers based on global positioning system (GPS); chains for spectacles and for sunglasses; frames for spectacles and sunglasses; laptop sleeves; lenses for sunglasses; spectacles and sunglasses;

#### Class 11

(3) light bulbs; Lights and string lights for decoration; Black light flashlights;

#### Class 12

(4) Pet seat belts on car; Car Seat Covers for Pets;

#### Class 14

(5) bangles; bracelets; ear studs; earrings; finger rings; key rings; necklaces; pendants;

#### Class 16

(6) Pet Training pads, namely, disposable housebreaking pads for use in training puppies; Cat scratcher cardboard; Bags for Pet Waste disposal;

#### Class 18

(7) Wallet Cases; Pet chest harnesses; collars for pets; electronic pet collars; leashes for pets; travel bags;

#### Class 20

(8) Pet Sofas;

**Class 21**

(9) cushions; kennels for household pets; pet bowls; Cat litter mats;

**Class 24**

(10) bed covers; bed sheets; cushion covers; fitted sheets; pillow cases;

**Class 28**

(11) Toy Dough Molds; pet toys; toy building blocks;



**Application Number** 1,900,942  
**Language of Application** English

**Filing Date** 2018-05-25

## APPLICANT AND AGENT DETAILS

### Applicant

10X Genomics, Inc.  
7068 Koll Center Parkway, Suite 401  
Pleasanton, CA 94566  
UNITED STATES OF AMERICA

### Agent

NORTON ROSE FULBRIGHT CANADA LLP/S.  
E.N.C.R.L.,S.R.L.  
1800 - 510 West Georgia Street, Vancouver,  
BRITISH COLUMBIA, V6B0M3

## TRADEMARK DETAILS

# 10X

### Trademark Type

Word

### Goods

#### Class 01

(1) Reagents and kits comprising DNA sequences, nucleotides and chips for scientific research and diagnostic use in connection with DNA sequencing and genetic analysis for non-medical purposes

#### Class 05

(2) Reagents and kits comprising DNA sequences, nucleotides and microfluidic chips for medical and medical diagnostic use in connection with DNA sequencing and genetic analysis for medical purposes; gel bead kits, namely, gel beads and gel bead strips, sold together as a unit, for medical diagnostic purposes; library kits, namely, oligonucleotides, chemical preparations, chemical compounds, enzymes, biological compounds and treated water, sold together as a unit, for medical diagnostic purposes.

#### Class 09

(3) Downloadable computer software and computer software for use in analyzing, managing and visualizing DNA sequencing data, for implementing an algorithm used to analyze, manage and visualize multiple types of data from one or more cells or biological material, and for use in analyzing, managing and visualizing nucleic acids and biological data.

(4) Laboratory equipment, namely, laboratory instruments for analysis of nucleic acids and for DNA sequencing; software for use in analyzing, managing and visualizing DNA sequencing data

#### Class 10

(5) Medical equipment, namely, medical instruments for analyzing nucleic acids, for RNA and DNA analysis, and for DNA sequencing for the purpose of rendering medical treatment and diagnosis

### Services

#### Class 42

(1) Laboratory research services in the fields of DNA sequencing, RNA and DNA analysis, and genetic analysis

#### Class 44

(2) Medical diagnostic testing and reporting services in the fields of DNA sequencing, DNA and RNA analysis, and genetic analysis

**Claims**

Priority Filing Date: November 27, 2017, Country or Office: UNITED STATES OF AMERICA, Application No: 87/698,594 in association with the same kind of goods (2), (3), (5) and in association with the same kind of services

**Application Number** 1,900,965  
**Language of Application** English

**Filing Date** 2018-05-25

## APPLICANT AND AGENT DETAILS

### Applicant

ICM INVESTMENT MANAGEMENT INC.  
700-404 6 Avenue SW  
Calgary  
ALBERTA  
T2P0R9

### Agent

NORTON ROSE FULBRIGHT CANADA LLP/S.  
E.N.C.R.L.,S.R.L.  
1, Place Ville Marie, Suite 2500, Montreal,  
QUEBEC, H3B1R1

## TRADEMARK DETAILS

# ADVANTAGED DRIP

### Trademark Type

Standard Characters

### Goods

#### Class 09

(1) Electronic publications relating to asset management, equity and debt securities.

#### Class 16

(2) Printed publications relating to asset management, equity and debt securities.

### Services

#### Class 36

Financial and investment services, namely structuring, sales, distribution and trading of securities in Canada; acting as a broker and dealer of equity and debt securities, investment dealer services, namely, fund investments, capital investment services, equity capital investment, real estate investment services, private equity fund investment services, project financing and venture capital financing; provision of information relating to financial and investment management; provision of information relating to the structuring, sales distribution and trade of securities; provision of information relating to equity and debt securities; provision of information relating to fund investments, capital investments, private equity funds and real estate investments; provision of information relating to project financing and venture capital financing; asset and wealth management services, namely, financial asset management, investment funds management, management of capital investment funds; portfolio management services, namely, management of portfolios comprising securities, management of transferable securities, management of capital investment funds and private equity funds, management of capital investment funds and financial trust management.

**Application Number** 1,901,003  
**Language of Application** English

**Filing Date** 2018-05-25

## **APPLICANT AND AGENT DETAILS**

### **Applicant**

MONDO CHOICE TRADING INC.  
385 5th Concession Road North  
Kaladar  
ONTARIO  
K0H1P0

### **Agent**

ALISON LESTER  
24 Covert Street, Cobourg, ONTARIO, K9A2L6

## **TRADEMARK DETAILS**

# **QUERUBIN GEL**

### **Trademark Type**

Word

### **Foreign Character Translation**

As provided by the applicant, the translation of the Spanish word QUERUBIN is LITTLE ANGEL.

### **Goods**

#### **Class 05**

baby diapers

**Application Number** 1,901,055  
**Language of Application** English

**Filing Date** 2018-05-28

## APPLICANT DETAILS

### Applicant

Gerard Robbins TAEKWONDO HALL OF  
FAME LLC  
81 Ray Street  
2nd Floor  
Garfield, New Jersey 07026  
UNITED STATES OF AMERICA

## TRADEMARK DETAILS

### Trademark Type

Design

### Visual Representation



**태권도 명예의 전당**  
**TAEKWONDO HALL OF FAME**

### Colour Claim

Colour is claimed as a feature of the trademark. The colors red, white, blue and black are claimed as a feature of the mark. The mark consists of a blue circular globe of the Earth, with the continents and latitude and longitude lines appearing thereon in the color white. The globe has a red border with the wording 'TAEKWONDO HALL OF FAME' appearing in white within the top half of the border, and the Korean characters that transliterate to 'taegwondo myeong-yeui jeondang', also in white, appearing within the bottom part of the border. Below the foregoing design are the Korean characters that transliterate to 'taegwondo myeong-yeui jeondang' in black above the stylized wording 'TAEKWONDO HALL OF FAME', also in black.

### Foreign Character Translation

As provided by the Applicant, the translation of the Korean words is TAEKWONDO HALL OF FAME.

### Foreign Character Transliteration

As provided by the Applicant, the transliteration of the Korean characters is taegwondo myeong-yeui jeondang.

**Services****Class 41**

Organization and hosting of Taekwondo also known as Taekwon-do and Tae Kwon do exhibitions for sporting, cultural and educational purposes; arranging Taekwondo exhibitions also known as Taekwon-do and Tae Kwon do for sporting, cultural and educational purposes, and doing so recognizing the history and contributions of those involved.

**Application Number** 1,901,100  
**Language of Application** French

**Filing Date** 2018-05-28

## APPLICANT AND AGENT DETAILS

### Applicant

L'OREAL, Société anonyme  
14 rue Royale  
75008 Paris  
FRANCE

### Agent

FASKEN MARTINEAU DUMOULIN LLP  
800 rue Square-Victoria, BUREAU 3700, C.P.  
242, MONTREAL, QUÉBEC, H4Z1E9

## TRADEMARK DETAILS

# METALLIZE

### Trademark Type

Word

### Goods

#### Class 03

Non-medicated hair treatment and care products; hairstyling products, namely gels, powders, sprays, mousses, balms, creams, lotions, oils, and waxes.

### Claims

Priority Filing Date: December 29, 2017, Country or Office: FRANCE, Application No: 17/4416171 in association with the same kind of goods

**Application Number** 1,901,114  
**Language of Application** English

**Filing Date** 2018-05-22

## APPLICANT AND AGENT DETAILS

### Applicant

Cannoli Queens Inc.  
200 Marycroft Avenue  
Unit 23  
Woodbridge  
ONTARIO  
L4L5X9

### Agent

CHRISTIAN PIERSANTI  
110 Greenbrooke Drive, Woodbridge,  
ONTARIO, L4L4X4

## TRADEMARK DETAILS

# Cannoli Divas

### Trademark Type

Word

### Goods

#### Class 30

(1) Cannoli, pastries, baked pastries that consist of tube-shaped shells of fried pastry dough filled with a sweet creamy filling usually containing ricotta cheese, baked pastries, pastry desserts, Italian style pastries, Italian style baked pastries, Italian style pastry desserts, dough, cake, cookies, ice-cream, Italian style ice-cream called gelato

#### Class 32

(2) coffee, Italian style coffee called espresso, cappuccino, Italian styled coffee and hot milk called cappuccino, tea, hot chocolate, soft drinks, fruit juices;

### Services

#### Class 35

(2) establishing of franchise operations and franchises for restaurants, franchise consulting, negotiating and preparing franchising agreements, maintaining and supervising franchises for restaurants, and all other professional consultancy services in relation to franchising for restaurants; bakery, take-out bakery, Italian style bakery, establishing of franchise operations and franchises for bakeries, franchise consulting, negotiating and preparing franchising agreements, maintaining and supervising franchises for bakeries, and all other professional consultancy services in relation to franchising for bakeries; delicatessen, Italian style delicatessen

#### Class 43

(1) Restaurant, fast-food restaurant, sit-down restaurant, take-out restaurant, operation of restaurant, restaurant services for others,



**Application Number** 1,901,386  
**Language of Application** French

**Filing Date** 2018-05-29

## APPLICANT AND AGENT DETAILS

### Applicant

Essilor International  
147, rue de Paris  
94220 Charenton-le-Pont  
FRANCE

### Agent

ROBIC  
630, boul. René-Lévesque Ouest, 20e étage,  
Montréal, QUÉBEC, H3B1S6

## TRADEMARK DETAILS

# POLARFUN

### Trademark Type

Word

### Goods

#### Class 09

Eyeglasses (optical); sunglasses; sports glasses; eyeglass frames; ophthalmic lenses; eyeglass lenses, including organic lenses, mineral lenses, corrective lenses, progressive lenses, sunglass lenses, polarizing lenses, filtering lenses, tinted lenses, coloured lenses, photosensitive lenses, photochromic lenses, treated lenses, coated lenses, anti-reflective lenses, semi-finished lenses; eyeglass lens templates and blanks; semi-finished blanks for eyeglass lenses; contact lenses; eyeglass lens cases; ophthalmic lens cases; eyeglass cases; eyeglass cords and chains.

### Services

#### Class 44

Optician, optometrist, and ophthalmologist services; information and advice in the field of ophthalmic optics; information and advice related to eye protection, vision correction and visual comfort.

### Claims

Priority Filing Date: December 04, 2017, Country or Office: FRANCE, Application No: 174410105 in association with the same kind of goods and in association with the same kind of services

**Application Number** 1,901,431  
**Language of Application** English

**Filing Date** 2018-05-29

## APPLICANT AND AGENT DETAILS

### Applicant

NAT GAMES Co., Ltd.  
5F-7F, 2621, Nambusunhwan-ro  
Gangnam-gu  
REPUBLIC OF KOREA

### Agent

ROBIC  
630, boul. René-Lévesque Ouest, 20e étage,  
Montréal, QUEBEC, H3B1S6

## TRADEMARK DETAILS

### Trademark Type

Design

### Visual Representation

**OVERHIT**

### Goods

#### Class 09

Downloadable computer programs, namely, computer games downloadable from a global computer network, downloadable computer games, downloadable video games, downloadable electronic games, downloadable electronic games for use with mobile telephones, handheld computers and tablets; computer application software for mobile phones, namely applications for mobile phones in the form of downloadable video games; computer game software, namely computer software for creating video games, computer games; memory cards for video game machines; tablet computers; video game cartridges; downloadable music files; pre-recorded music electronic media; downloadable ring tones for mobile phones; downloadable image files; pre-recorded non-musical electronic media (excluding computer software), namely pre-recorded laser discs containing video games, pre-recorded compact discs containing computer games; animated cartoons, namely video disks with recorded animated cartoons; downloadable electronic books; downloadable electronic newspapers; downloadable electronic publications, namely downloadable electronic publications in the nature of magazines.

**Application Number** 1,901,690  
**Language of Application** French

**Filing Date** 2018-05-30

## **APPLICANT DETAILS**

### **Applicant**

Rémi Nault  
11 impasse de la Licorne  
Gatineau  
QUÉBEC  
J9A3R9

## **TRADEMARK DETAILS**

# **Ferme Rouge**

### **Trademark Type**

Word

### **Goods**

#### **Class 25**

Sweaters; shirts; polos; short-sleeved shirts; long-sleeved shirts.

### **Services**

#### **Class 41**

(1) Entertainment consisting of live performances by a music group; entertainment consisting of plays; entertainment consisting of dance performances and performances by musical groups; entertainment consisting of live performances by musical groups; entertainment in the form of live comedy shows; entertainment in the form of orchestra performances; entertainment in the form of dance performances; operation of dinner theatres; operation of cabarets; cabaret-style musical performances presented at live venues; cabaret entertainment services.

#### **Class 43**

(2) Coffee shops; restaurant services [meals]; bar services; bar and restaurant services; cocktail lounges.

**Application Number** 1,901,725  
**Language of Application** English

**Filing Date** 2018-05-30

## APPLICANT AND AGENT DETAILS

### Applicant

Canadian Tire Corporation, Limited  
2180 Yonge Street  
Toronto  
ONTARIO  
M4P2V8

### Agent

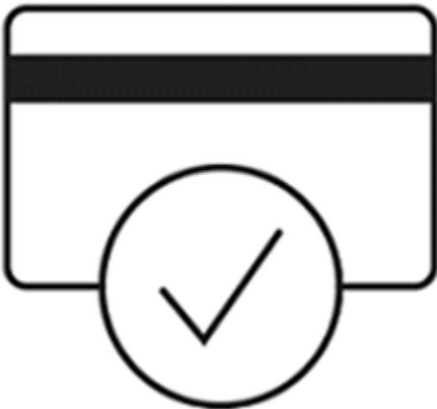
TORYS LLP  
SUITE 3000, 79 WELLINGTON ST. W., BOX  
270, TD CENTRE, TORONTO, ONTARIO,  
M5K1N2

## TRADEMARK DETAILS

### Trademark Type

Design

### Visual Representation



### Services

#### Class 36

Providing insurance products of others to indemnify customers against inability to pay charge account balances.

**Application Number** 1,901,781  
**Language of Application** English

**Filing Date** 2018-05-30

## APPLICANT AND AGENT DETAILS

### Applicant

Aurora Cultural and Entertainment Ltd.  
19 Moncrief Lane  
Winnipeg  
MANITOBA  
R3Y1Y4

### Agent

NICOLE D.S. MERRICK  
c/o TAYLOR MCCAFFREY LLP, 2200-201  
Portage Avenue, Winnipeg, MANITOBA,  
R3B3L3

## TRADEMARK DETAILS

### Trademark Type

Design

### Visual Representation



### Services

#### Class 35

(1) Food concessions stands featuring traditional Chinese and Canadian food at multicultural festivals; sale of handicrafts by vendors and artisans at multicultural festivals.

#### Class 41

(2) Organizing multicultural festivals, namely Chinese/Canadian light and multicultural festivals providing the following to the public: (i) Lighting displays for public enjoyment, namely illuminated lighting displays and structures, Chinese lanterns, and interactive illuminated lighting structures; (ii) Entertainment services namely organization and provision of live theatrical performances and cultural dances, musical performances and martial arts performances, and acrobatic performances; (iii) illuminated dinosaur lighting exhibits, interactive dinosaur exhibits; (iv) carnival rides.

**Application Number** 1,901,984  
**Language of Application** English

**Filing Date** 2018-05-31

## APPLICANT AND AGENT DETAILS

### Applicant

INTERRA ENERGY SERVICES LTD  
Encor Place, Suite #2500  
645 7th Avenue SW  
Calgary  
ALBERTA  
T2P4G8

### Agent

LISA D. STATT FOY  
(Field LLP), 400 - 444 7 Avenue SW,  
CALGARY, ALBERTA, T2P0X8

## TRADEMARK DETAILS

# UZI

### Trademark Type

Word

### Goods

#### Class 07

Oil and gas well equipment, namely hydraulic valves, circulating valves, ball seats valves, oil well circulating valves, thermal injection valves, steam injection valves, and conventional formation injection valves all being parts of machines and used to control the flow of oil, gas and fracturing fluids in and out of an oil well

**Application Number** 1,902,057  
**Language of Application** French

**Filing Date** 2018-06-01

## APPLICANT AND AGENT DETAILS

### Applicant

L'OREAL, Société anonyme  
14 rue Royale  
75008 PARIS  
FRANCE

### Agent

LAVERY, DE BILLY, LLP  
1 Place Ville Marie, Suite 4000, Montréal,  
QUÉBEC, H3B4M4

## TRADEMARK DETAILS

### Trademark Type

Design

### Visual Representation



### Goods

#### Class 03

Cosmetic skin care preparations.

### Claims

Priority Filing Date: May 24, 2018, Country or Office: FRANCE, Application No: 18/4455649 in association with the same kind of goods

**Application Number** 1,902,109  
**Language of Application** English

**Filing Date** 2018-06-01

## APPLICANT AND AGENT DETAILS

### Applicant

Neurological Nutrition Inc.  
200 Carnegie Dr  
St Albert  
ALBERTA  
T8N5A7

### Agent

GREGORY K. PANG  
(RedFrame Law), Unit 605, 10080 Jasper Ave  
NW, Edmonton, ALBERTA, T5J1V9

## TRADEMARK DETAILS

# SUSTAIN YOUR BRAIN

### Trademark Type

Word

### Goods

#### Class 09

Downloadable audio and visual recordings and electronic documents featuring educational programs containing topics of nutrition

### Services

#### Class 41

(1) Life coaching in the fields of career development, finances, education, health, physical activity, home cooking, home environment, relationships, social life, personal joy, spirituality, creativity, stress management; educational services in the field of nutrition and personal health

#### Class 44

(2) Neurological assessments; nutritional advice and counselling; health and personal well-being assessments, analysis and advice on same; providing custom plans, guidance and education all in the field of personal health; custom meal and menu planning; creating grocery substitution lists with healthier recommendations; recommending recipes with medical benefits



**Application Number** 1,902,136  
**Language of Application** English

**Filing Date** 2018-06-01

## **APPLICANT AND AGENT DETAILS**

### **Applicant**

Braun GmbH  
Frankfurter Str. 145  
61476 Kronberg im Taunus  
GERMANY

### **Agent**

TORYS LLP  
SUITE 3000, 79 WELLINGTON ST. W., BOX  
270, TD CENTRE, TORONTO, ONTARIO,  
M5K1N2

## **TRADEMARK DETAILS**

# **EASYCLICK**

### **Trademark Type**

Standard Characters

### **Goods**

#### **Class 08**

Razors and razor blades; electric and non electric appliances for removal of hair, such as electric and non-electric depilation appliances for personal use, electric and non-electric hair clipper, shavers, hair trimmers

**Application Number** 1,902,423  
**Language of Application** English

**Filing Date** 2018-06-04

## APPLICANT AND AGENT DETAILS

### Applicant

SCHRÉDER, Société Anonyme  
Rue de Lusambo, 67  
B - 1190 Brussels  
BELGIUM

### Agent

LAVERY, DE BILLY, LLP  
1 Place Ville Marie, Suite 4000, Montréal,  
QUEBEC, H3B4M4

## TRADEMARK DETAILS

# SHUFFLE

### Trademark Type

Standard Characters

### Goods

#### Class 09

(1) Electronic control gears [ECGs] for LED lamps and light fixtures; light regulators namely electric dimmers; radio signal antennas for wireless reception, storage and transmission of data for modular and interactive lighting installations offering smart connected services namely wireless internet, cameras, loudspeakers, electric vehicle charges, SOS intercom, 4G/5G base stations, pollution sensors, sound transmitting systems, motion detectors, network IP speakers; computer interface software for modular and interactive lighting installations offering smart connected services namely wireless internet, cameras, loudspeakers, electric vehicle charges, SOS intercoms, 4G/5G base stations, pollution sensors, sound transmitting systems, motion detectors, network IP speakers; electrical charge controllers for modular and interactive lighting installations offering smart connected services namely wireless internet, cameras, loudspeakers, electric vehicle charges, SOS intercoms, 4G/5G base stations, pollution sensors, sound transmitting systems, motion detectors, network IP speakers; wireless controllers to monitor and control the functioning of electronic devices namely light switches for modular and interactive lighting installations offering smart connected services namely wireless internet, cameras, loudspeakers, electric vehicle charges, SOS intercom, 4G/5G base stations, pollution sensors, sound transmitting systems, motion detectors, network IP speakers; electrical control, testing and monitoring apparatus namely electrical control systems for lighting systems, electric and electronic video surveillance installations, motion sensors for security lights, electric control panels and lighting control panels, optical sensors, electric connectors, temperature sensors, distance sensors, electrical transformers for modular and interactive lighting installations offering smart connected services namely wireless internet, cameras, loudspeakers, electric vehicle charges, SOS intercom, 4G/5G base stations, pollution sensors, sound transmitting systems, motion detectors, network IP speakers; surveying instruments to analyze and to test modular and interactive lighting installations offering smart connected services namely wireless internet, cameras, loudspeakers, electric vehicle charges, SOS intercoms, 4G/5G base stations, pollutions sensors, sound transmitting systems, motion detectors, network IP speakers; radio transmitters, receivers, and controllers for monitoring and controlling public lighting; wireless controllers to remotely monitor and control the function and status of other electrical, electronic, and mechanical devices and systems, namely lighting systems excluding gaming apparatus; illumination regulators;

intercommunication apparatus namely transceivers for remote controls, for lighting installations; motion sensors for security lights; sensors and detectors for lighting installations; humidity sensors with integrated digital and analogue output circuitry used in appliance and light industrial applications to sense both relative humidity and temperature environmental conditions; environmental monitoring system comprised of meters and sensors that measure pressure, humidity, temperature and includes alarm and reporting functions for modular and interactive lighting installations offering smart connected services namely wireless internet, cameras, loudspeakers, electric vehicle charges, SOS intercoms, 4G/5G base stations, pollution sensors, sound transmitting systems, motion detectors, network IP speakers; day and night vision systems primarily comprising day and night sensors, day and night cameras, power sources, communication means namely communications computers, monitors and operating software for lighting installations; active infra-red sensors for modular and interactive lighting installations offering smart connected services namely wireless internet, cameras, loudspeakers, electric vehicle charges, SOS intercoms, 4G/5G base stations, pollution sensors, sound transmitting systems, motion detectors, network IP speakers.

### **Class 11**

(2) Modular and interactive lighting installations offering multiple combination of smart connected services namely wireless internet, cameras, loudspeakers, electric vehicle charges, SOS intercoms, 4G/5G base stations, pollution sensors, sound transmitting systems, motion detectors, network IP speakers; modular and interactive lighting installations with integrated features as loudspeakers, CCTV, WLAN, EV chargers and visual guidance; light-emitting diodes [LED] lighting apparatus namely LED landscape lights, LED luminaires, LED light bulbs, LED Flash lights for modular and interactive lighting installations offering smart connected services namely wireless internet, cameras, loudspeakers, electric vehicle charges, SOS intercom, 4G/5G base stations, pollution sensors, sound transmitting systems, motion detectors, network IP speakers; lightemitting diode [LED] luminaires offering multiple combination of smart connected services; street lamps offering multiple combination of smart connected services; lamps for outdoor use offering multiple combination of smart connected services; LED light assemblies for street lights, signs, commercial lighting, buildings, and other architectural uses; LED lighting fixtures for modular and interactive lighting installations offering smart connected services namely wireless internet, cameras, loudspeakers, electric vehicle charges, SOS intercoms, 4G/5G base stations, pollution sensors, sound transmitting systems, motion detectors, network IP speakers; lighting fixtures with motion detection for modular and interactive lighting installations offering smart connected services namely wireless internet, cameras, loudspeakers, electric vehicle charges, SOS intercoms, 4G/5G base stations, pollution sensors, sound transmitting systems, motion detectors, network IP speakers; luminaires, using light emitting diodes [LEDs] as a light source, for street or roadway lighting offering multiple combination of smart connected services; smart and interactive lighting systems to encourage social connectivity in towns and cities, innovative lighting solutions helping people to connect to their public and private social environments and lighting solutions for sustainable mobility namely street lamps, street lights and lighting diffusers offering smart connected services related to light.

### **Claims**

Priority Filing Date: December 08, 2017, Country or Office: BELGIUM, Application No: 1366162 in association with the same kind of goods

**Application Number** 1,902,612  
**Language of Application** English

**Filing Date** 2018-06-05

## APPLICANT AND AGENT DETAILS

### Applicant

Anthony Meehan  
501-7 Saint Thomas St  
Toronto  
ONTARIO  
M5S2B7

### Agent

JACK SMUGLER  
106-1435 Larose Avenue, Ottawa, ONTARIO,  
K1Z7X9

## TRADEMARK DETAILS

### Trademark Type

Design

### Visual Representation



### Goods

#### Class 20

Decorative wall plaques.

### Services

#### Class 35

(1) Promotional services, namely, promoting the goods and services of others by arranging for sponsors and exhibitors to affiliate goods and services with employer excellence conferences; research services, namely, research concerning human resources and business.

#### Class 41

(2) Arranging and conducting conferences concerning human resources and becoming an employer-of-choice; Competitions in the field of employer excellence, diversity and inclusion.

**Application Number** 1,902,614  
**Language of Application** English

**Filing Date** 2018-06-05

## APPLICANT AND AGENT DETAILS

### Applicant

Anthony Meehan  
501-7 Saint Thomas St  
Toronto  
ONTARIO  
M5S2B7

### Agent

JACK SMUGLER  
106-1435 Larose Avenue, Ottawa, ONTARIO,  
K1Z7X9

## TRADEMARK DETAILS

### Trademark Type

Design

### Visual Representation



### Goods

#### Class 20

Decorative wall plaques.

### Services

#### Class 35

(1) Promotional services, namely, promoting the goods and services of others by arranging for sponsors and exhibitors to affiliate goods and services with employer excellence conferences; research services, namely, research concerning human resources and business.

#### Class 41

(2) Arranging and conducting conferences concerning human resources and becoming an employer-of-choice; Competitions in the field of employer excellence and workplaces that help younger employees start their careers.

**Application Number** 1,902,661  
**Language of Application** English

**Filing Date** 2018-06-05

## APPLICANT AND AGENT DETAILS

### Applicant

LORD BERNIER INC.  
900-5605 Av De Gaspé  
Montréal  
QUÉBEC  
H2T2A4

### Agent

ME JOHANNE DANIEL  
(DANIEL & ASSOCIES) , 740, AV. ATWATER,  
MONTREAL, QUÉBEC, H4C2G9

## TRADEMARK DETAILS

### Trademark Type

Design

### Visual Representation

**ATTITUDE** NO SPECTRA

### Goods

#### Class 03

(1) Babies & toddlers care products, namely, baby laundry detergents, oxygen based spray stain remover, fabric softeners, bottle dishwashing liquids, toy spray cleaner, laundry stain remover; baby wipes. Babies & toddlers body care products, namely, baby 3in1 shampoo/body wash conditioners, body oils, sunscreens, sunscreen remover, hand soap, zinc diaper cream, body cream, face calendula cream, toothpastes, hair detangler, face cream, face wash, face wipes, gel wipes, baby powder. Homecare products, namely laundry detergents, oxygen based spray stain remover, fabric softeners, dishwashing liquids, all-purpose surface spray cleaner, laundry stain remover, fruit contaminant spray cleaner, vegetable contaminant spray cleaner. Body care products, namely, shampoos, conditioners, body wash, bubble bath, body oils, body lotions, hand bar soaps, body bar soaps, body scrubs, face scrubs, day creams, night creams, moisturizing body lotion and cream, make-up removers lotions, wipes make-up remover, make up, sunscreen cream, sunscreen lotion, aftersun lotions, cosmetics, body deodorants, lip balms, foot soap bars, foot cream, foot scrubs, foot hydrating cream, hand creams, nail polish removers, damaged hair treatment, hair oil, hair colour, hairspray, hair gel, hair wax, hair mousse, shaving creams, spray body lotion, toothpastes, mouthwash, body powder; cleansing pre-moistened body wipes, cosmetic cotton balls and cotton swabs. Pregnancy products, namely, stretch oils, stretch gels, hydrating lotions, body lotions, body washes, bubble baths, bath soaks and massage oils. Pet care products, namely, pet laundry detergents, bowl dishwashing liquids, multi surfaces cleaning wipes, pet toys spray cleaner, pet shampoos, conditioners, detanglers, paw balm, nose balm, hydrating lotions.

#### Class 04

(2) Scented candles.

#### Class 05

(3) Natural odor neutralizers, namely air purifiers, fabric refreshers, air fresheners, pet stains odor remover, pet fabric refresher odor neutralizer, deodorising mists, deodorizing grooming wipes, litter box odor eliminator; sanitizing surface wipes; hand sanitizers; baby and adult diapers and disposable diapers; baby and adult topical pain reliever; insect repellent.

**Class 30**

(4) Herbal teas.

**Application Number** 1,902,698  
**Language of Application** English

**Filing Date** 2018-06-05

## APPLICANT AND AGENT DETAILS

### Applicant

Intelligent Cleaning Equipment Holdings Co.  
Ltd.  
OMC Chambers  
Wickhams Cay 1, Road Town  
Tortola, VG1110  
VIRGIN ISLANDS (BRITISH)

### Agent

GOWLING WLG (CANADA) LLP  
SUITE 1600, 1 FIRST CANADIAN PLACE, 100  
KING STREET WEST, TORONTO, ONTARIO,  
M5X1G5

## TRADEMARK DETAILS

# JANMOTION

### Trademark Type

Standard Characters

### Goods

#### Class 09

Global positioning system (GPS), comprised of hardware and software for tracking and locating personnel and floor cleaning machines using radio frequency and cellular communication networks



**Application Number** 1,902,849  
**Language of Application** English

**Filing Date** 2018-06-06

## APPLICANT AND AGENT DETAILS

### Applicant

Anthony Meehan  
501-7 Saint Thomas St  
Toronto  
ONTARIO  
M5S2B7

### Agent

JACK SMUGLER  
106-1435 Larose Avenue, Ottawa, ONTARIO,  
K1Z7X9

## TRADEMARK DETAILS

### Trademark Type

Design

### Visual Representation



**SASKATCHEWAN'S  
TOP EMPLOYERS**

### Goods

#### Class 20

Decorative wall plaques.

### Services

#### Class 35

(1) Promotional services, namely, promoting the goods and services of others by arranging for sponsors and exhibitors to affiliate goods and services with employer excellence conferences; research services, namely, research concerning human resources and business.

#### Class 41

(2) Arranging and conducting conferences concerning human resources and becoming an employer-of-choice; Competitions in the field of employer excellence.

**Application Number** 1,902,850  
**Language of Application** English

**Filing Date** 2018-06-06

## APPLICANT AND AGENT DETAILS

### Applicant

American Express Marketing & Development Corp.  
200 Vesey Street  
New York, NY 10285  
UNITED STATES OF AMERICA

### Agent

OSLER, HOSKIN & HARCOURT LLP  
SUITE 1900, 340 ALBERT STREET,  
OTTAWA, ONTARIO, K1R7Y6

## TRADEMARK DETAILS

# NE PROFITEZ PAS DE LA VIE SANS ELLE

### Trademark Type

Word

### Services

#### Class 35

(1) Business development services, namely, providing start-up support for businesses of others; business management consultation; assisting businesses in obtaining government contracts; corporate meeting management services; provision of temporary office and meetings rooms; promoting the sale of credit card accounts through the administration of incentive award programs; providing an online directory information service featuring information regarding merchants who accept payment by credit card.

#### Class 36

(2) Assistance with electronic transfers of money; Banking services; Prepaid card, prepaid gift card, stored value card and payment card services; Foreign currency exchange services; Payment processing services, namely, charge card, credit card, prepaid card, gift card, stored value card and payment card transaction processing services; Electronic charge card, credit card, prepaid card, gift card, stored value card and payment card transactions; Issuing Charge cards, credit cards, prepaid cards, prepaid gift cards, stored value cards and payment cards; providing online information for merchants regarding guidelines and fees pertaining to credit card acceptance

#### Class 38

(3) Providing online forums and electronic bulletin boards for transmission of messages among computer users concerning small business advice; providing equipment and facilities for videoconferencing, teleconferencing, and telepresence conferencing

#### Class 39

(4) Travel agency services, namely, arranging the transportation of passengers by land, air and water; cargo handling services, namely, handling of passengers' luggage and arranging baggage transfer; travel agency services, namely, arranging for automobile and bus rentals; Tour information services about transportation for travel tours; arranging transport for travel tours as a bonus program for credit card customers

#### Class 41

(5) Arranging for ticket reservations and admission to music, theater, fashion, film, and sports events; Conducting personal guided tours of museums, historical sites, and general tourist destinations for entertainment purposes; arranging guided travel tours of museums, historical sites, and general tourist destinations for entertainment purposes as a bonus program for credit card customers

**Class 43**

(6) Travel agency services, namely, making reservations for temporary lodging, restaurants, and meals

**Class 45**

(7) Concierge services for others comprising making requested personal arrangement and reservations and providing customer-specific information to meet individual needs rendered to credit card customers

**Application Number** 1,902,972  
**Language of Application** English

**Filing Date** 2018-06-06

## APPLICANT AND AGENT DETAILS

### Applicant

LUCKY EYE LIMITED  
Unit 01, 21/F., Tower One, Lippo Centre  
89 Queensway  
HONG KONG

### Agent

ROBIC  
630, boul. René-Lévesque Ouest, 20e étage,  
Montréal, QUEBEC, H3B1S6

## TRADEMARK DETAILS

### Trademark Type

Design

### Visual Representation



### Goods

Class 14  
Diamonds

**Application Number** 1,903,193  
**Language of Application** English

**Filing Date** 2018-06-07

## APPLICANT AND AGENT DETAILS

### Applicant

Sola IP, LLC  
4203 Yoakum  
Suite 200  
Houston, TX 77056  
UNITED STATES OF AMERICA

### Agent

MCMILLAN LLP  
BROOKFIELD PLACE, SUITE 4400, BAY  
WELLINGTON TOWER, 181 BAY STREET,  
TORONTO, ONTARIO, M5J2T3

## TRADEMARK DETAILS

# LOSE THE SUGAR, KEEP THE TASTE

### Trademark Type

Word

### Goods

#### Class 29

- (1) Nut-based food bars
- (2) Yogurt

#### Class 30

- (3) Sugar substitutes
- (4) Bread; breakfast cereals; granola; ice cream

### Claims

Priority Filing Date: December 08, 2017, Country or Office: UNITED STATES OF AMERICA, Application No: 87/713,757 in association with the same kind of goods (1); December 08, 2017, Country or Office: UNITED STATES OF AMERICA, Application No: 87/713,733 in association with the same kind of goods (4); December 08, 2017, Country or Office: UNITED STATES OF AMERICA, Application No: 87/713,753 in association with the same kind of goods (3); December 08, 2017, Country or Office: UNITED STATES OF AMERICA, Application No: 87/713,762 in association with the same kind of goods (2)

**Application Number** 1,903,308  
**Language of Application** English

**Filing Date** 2018-06-08

## APPLICANT DETAILS

### Applicant

hao fan Golden Enterprises Ltd.  
27-9308 keefer Ave  
Richmond  
BRITISH COLUMBIA  
V6Y4K9

## TRADEMARK DETAILS

### Trademark Type

Design

### Visual Representation

**Golden's**

### Goods

#### Class 01

(1) aquarium chlorine test kits; calcium-based algae nutrient supplements for use in aquariums; chemical aquarium water conditioners; chemical water conditioners for aquaria; enzymes for use in the manufacture of pet food; fish meal fertilizers

#### Class 03

(2) antistatic spray for grooming pets; deodorants for pets; pet grooming preparations; pet shampoo; pet shampoos; pet stain removers; shampoos for pets

#### Class 05

(3) antibiotics for fish; deodorizers for household pet litter boxes; diapers for pets; disposable pet diapers; herbal anti-itch ointments for pets; herbal sore skin ointments for pets; medicated mouthwashes for pets; pet diapers; pet food additives in the form of vitamin and mineral; pet food additives in the form of vitamins and minerals; pet vitamins; vitamin and mineral supplements for pets; vitamins for pets

#### Class 06

(4) artificial fish reefs of metal; common metal bands for the identification of pet animals; metal artificial fish reefs; pet doors of metal

#### Class 07

(5) aerating pumps for aquaria; aquarium pumps; fish paste making machines; fish-netting machines; machines for flaking dried fish meat [kezuri-bushi making machines]

#### Class 08

(6) fish forks; fish knives; fish scalers; fish scoops; fish slicing kitchen knives; fish tape for pulling cables; fish tapes; fishing knives; fishing line cutters; fishing pliers; fishing scoops; fishing tackle pliers; fish-skinning knives; fish-skinning pliers; hand-operated ice augers used for ice fishing;

hand-operated scrapers for skinning fish; hand-powered ice augers used for ice fishing; harpoons for commercial fishing; harpoons for fishing; kitchen knives for slicing fish; knives for skinning fish; pet nail trimmers; pliers for skinning fish; spears for use in fishing; sport knives

**Class 09**

(7) aquarium thermometers; chin straps for athletic use; downloadable sports tournament webcasts; eye shields for sports helmets; eyeglasses for sports; eyeglasses worn for sports training; face shields for sports helmets; goggles for sports; goggles for use in sport; head guards for sports; life jackets for pets; mouth guards for athletic use; mouth guards for sports; prescription goggles for sports; protective goggles for pets; protective helmets for sports; protective sports helmets; radar guns for sporting events; sport whistles; sports eyewear; sports glasses; sports goggles; sports helmets; sports whistles

**Class 11**

(8) aquarium filters; aquarium filtration apparatus; aquarium heaters; aquarium led underwater lights; aquarium lights; automatic water dispensers for pets; electric outdoor grills; fish-luring lights; heaters for aquariums; LED fishing lures; led underwater lights for aquariums; pet heat lamps

**Class 12**

(9) fishing boats; fishing trolleys

**Class 14**

(10) charms for pet collars; pet collar charms; sports watches; watches for outdoor use; watches for sporting use

**Class 16**

(11) plastic bags for pet waste disposal

**Class 18**

(12) all purpose sport bags; all-purpose athletic bags; all-purpose sports bags; athletic bags; backpacks, book bags, sports bags, bum bags, wallets and handbags; bags for sports; bags for sports clothing; clothing for domestic pets; clothing for pets; collars for pets; collars for pets bearing medical information; electronic pet collars; garments for pets; general purpose sport trolley bags; holdalls for sports clothing; leads for pets; leashes for pets; pet clothing; pet collars; pet collars bearing medical information; pet leads; pet leashes; reins for equestrian sports; sport bags; sports bags; sports packs

**Class 19**

(13) aquarium gravel; aquarium sand; artificial coral fish reefs; artificial fish reefs; decorative aquarium stones

**Class 20**

(14) beds for household pets; fishing baskets; kennels for household pets; nesting boxes for household pets; outdoor furniture; outdoor furniture parts; pet beds; pet crates; pet cushions

**Class 21**

(15) aquarium covers; aquarium hoods; aquarium ornaments; aquariums; brushes for pets; cages for household pets; cages for pets; drinking bottles for sports; indoor aquaria; litter boxes for pets; litter trays for pets; non-mechanized pet waterers in the nature of portable water and fluid dispensers for pets; pet bowls; pet cages; pet feeding dishes; scoops for pet waste; sports bottles sold empty; water tanks for live fish; pet litter box liners

**Class 22**

(16) bungee cord for sports; commercial fishing nets; fishing nets; net pens for fish farming; rope for use in pet toys

#### **Class 24**

(17) blankets for household pets; blankets for outdoor use; fitted bed sheets for pets; fitted sheets for pet beds; indoor and outdoor curtains; pet blankets

#### **Class 25**

(18) casual clothing; casual wear; fishing clothing; fishing hip waders; fishing tackle vests; fishing vests; fishing waders; moisture-wicking sports bras; moisture-wicking sports pants; outdoor winter clothing; outdoor winter footwear; rubber fishing boots; sport bibs; sport coats; sport jackets; sport shirts; sport stockings; sports bras; sports caps and hats; sports clothing; sports coats; sports footwear; sports jackets; sports jerseys; sports jerseys and breeches for sports; sports overuniforms; sports shirts with short sleeves; sports shoes; sports singlets; sports uniforms; sports vests; sportswear; women's sportswear

#### **Class 26**

(19) shuttles for making fishing nets

#### **Class 27**

(20) pet feeding mats

#### **Class 28**

(21) aquarium fish nets; arm guards for athletic use; arm guards for sports use; artificial bait for fishing; artificial chum for fishing; artificial fishing bait; artificial fishing flies; artificial fishing worms; artificial worms for fishing; bags adapted for fishing tackle; bags adapted for use with sporting equipment; bags specially adapted for sports equipment; boards used in the practice of water sports; body protectors for athletic use; body protectors for sports use; boxes for fishing flies; boxes for fishing lures; cases for fishing reels; cases for fishing rods; cases in the form of quivers for sports implements; cases specially adapted for sports equipment; chest protectors for athletic use; chest protectors for sports use; corner flags for sports fields; decoys for hunting or fishing; discuses for field sports; discuses for sports; elbow guards for sports use; elbow pads for sports use; face guards for sports use; face masks for sports; fish attractants; fish hooks; fishing buoys for anglers; fishing creels; fishing flies; fishing floats; fishing fly boxes; fishing gaffs; fishing harnesses; fishing hooks; fishing leaders; fishing lines; fishing lure boxes; fishing lure spoons; fishing lures; fishing plugs; fishing poles; fishing reel cases; fishing reels; fishing reels and rods; fishing rod cases; fishing rod handles; fishing rod holders; fishing rod rests; fishing rod supports; fishing rods; fishing sinkers; fishing spinners; fishing stools; fishing tackle; fishing tackle bags; fishing tackle boxes; fishing thread for fishing jigs and streamers; fishing weights; floats for fishing; gut for fishing; hammers for field sports; hand wraps for sports use; hand-held fishing nets; handheld fishing nets; handles for fishing rods; holders for fishing rods; hooks for fishing; hurdles for track sports; ice fishing strike indicators; inflatable fishing float tubes; inflatable float tubes for fishing; javelins for field sports; knee guards for sports use; knee pads for sports use; landing nets for fishing; leg guards for athletic use; leg guards for sports use; leg weights for sports training; lines for fishing; lures for fishing; material for assembly of fishing streamer flies; multi-sport uprights; nets for sports; non-medicated topically applied ointment or gel for improving hand grip in sports activities; outdoor activity play sets; pet toys; pet toys containing catnip; pet toys made of rope; plastic worms for use as fishing lures; poles for fishing; protective padding for playing sports; radio-controlled miniature aerial targets for sports; reels for fishing; rods for fishing; scent lures for fishing; scent lures for hunting or fishing; shin pads for sports use; shot puts for field sports; shoulder pads for athletic use; shoulder pads for sports use; shuttlecocks; spoon lures for fishing;



sport balls; sport gloves; sports balls; sports gloves; sports goal posts; sports weight lifting belts; starting blocks for sports; starting blocks for track sports; strike indicators for ice fishing; striking bags for sports use; striking shields for sports use; throat protectors for athletic use; throat protectors for sports use; toy fish; toys for domestic pets; toys for pets; wrist guards for sports use

**Class 31**

(22) aquarium fish food flakes; aquarium fish food pellets; aquarium plants; aromatic sand litter for pets; brine shrimp for fish food; brine shrimp for use as fish food; edible pet treats; edible treats for pets; fish food; fish meal animal feed; fish meal for animal consumption; fish spawn; food for aquarium fish; food for pets; live aquarium coral; live bait for fishing; live fish for aquariums; live fishing bait; live plants used as aquarium landscapes; packaged freeze-dried fishing bait; pet beverages; pet food; pet treats in the nature of bully sticks

**Class 32**

(23) protein-enriched sports beverages; protein-enriched sports drinks; sports drinks; sports drinks containing electrolytes

**Services****Class 35**

(1) catalogue shopping services in the field of sporting goods; consignment sale of sporting goods; discount sporting goods stores; online sales of sporting goods; preparing and placing outdoor advertisements for others; promotional management for sports personalities; providing home shopping services of sporting goods via the Internet; retail sale of sporting goods; wholesale sales of sporting goods

**Class 37**

(2) repair of fishing tackle

**Class 38**

(3) providing streaming audio and video such as music, movies, television shows, music videos, news and sports webcasts via a website;

**Class 40**

(4) custom imprinting of sports uniforms;

**Class 41**

(5) Educational services in the field of pet care; fishing guide services; fishing resorts; operation of sports camps; organization of fishing competitions; organization of sport fishing competitions; petting zoos; rental of indoor aquaria; rental of sports equipment; sport camp services; sports camps; ticket reservation and booking of seats for entertainment, sporting and cultural events

**Class 43**

(6) boarding for pets; kennel boarding services for pets; pet boarding; pet boarding services; pet day care services; pet day-care services; pet hotel services;

**Class 44**

(7) Insertion of subcutaneous microchips into pets for purposes of tracking and identification; pet bathing services; pet grooming; pet hospital services; providing information about pet care via a website; sports massage services; tattooing of pets for identification purposes; technical consultation in the fields of feeding and raising fish, shrimp and other farm-raised marine life

**Class 45**

(8) assisting in the locating of lost pets; funeral services accompanying cremation of pets; pet cremation services; pet funeral services accompanying cremation; pet registration; pet sitting; tracking and iris or retina scanning as means of identifying pets;

**Application Number** 1,903,426  
**Language of Application** English

**Filing Date** 2018-06-08

## APPLICANT AND AGENT DETAILS

### Applicant

Bradken Resources Pty Limited  
20 McIntosh Drive  
Mayfield West NSW 2304  
AUSTRALIA

### Agent

MBM INTELLECTUAL PROPERTY LAW LLP  
275 SLATER STREET, 14TH FLOOR,  
OTTAWA, ONTARIO, K1P5H9

## TRADEMARK DETAILS

# ECLIPSE

### Trademark Type

Word

### Goods

#### Class 07

Excavation buckets; components in this class for excavation buckets and dragline buckets in particular bucket lips; fixing pins, namely, point and adaptor pins, ground engaging teeth; mounting assemblies all for use on excavation buckets; excavators; buckets for draglines; mounting assemblies for ground engaging teeth

### Claims

Priority Filing Date: May 30, 2018, Country or Office: AUSTRALIA, Application No: 1930322 in association with the same kind of goods

**Application Number** 1,903,488  
**Language of Application** English

**Filing Date** 2018-06-08

## APPLICANT AND AGENT DETAILS

### Applicant

Vivus, Inc.  
351 East Evelyn Avenue  
Mountain View , CA 94041  
UNITED STATES OF AMERICA

### Agent

AVENTUM IP LAW LLP  
SUITE 830, TOWER B, , 555 LEGGET DRIVE,  
OTTAWA, ONTARIO, K2K2X3

## TRADEMARK DETAILS

# VIVUS

### Trademark Type

Word

### Goods

#### Class 05

Pharmaceutical preparations for the treatment of the exocrine system, and exocrine deficiencies, disorders and diseases, namely, for the treatment of exocrine pancreatic insufficiency;  
Pharmaceutical preparations, namely, enzymes, for the treatment of the exocrine system, and exocrine deficiencies, disorders and diseases; pharmaceutical preparations for the treatment of the digestive system; pharmaceutical preparations for the treatment of pancreatic diseases and disorders, enzyme disorders and deficiencies, and gastrointestinal diseases and disorders

**Application Number** 1,903,665  
**Language of Application** English

**Filing Date** 2018-06-11

## APPLICANT AND AGENT DETAILS

### Applicant

M&M Meat Shops Ltd.  
2240 Argentia Road, Suite 100  
Mississauga  
ONTARIO  
L5N2K7

### Agent

OSLER, HOSKIN & HARCOURT LLP  
SUITE 1900, 340 ALBERT STREET,  
OTTAWA, ONTARIO, K1R7Y6

## TRADEMARK DETAILS

### Trademark Type

Design

### Visual Representation



### Services

#### Class 35

(1) Operation of retail outlets dealing in meat and food products;

#### Class 43

(2) food services, namely, recommending recipes, menu and meal ideas to customers.

**Application Number** 1,904,042  
**Language of Application** English

**Filing Date** 2018-06-13

## APPLICANT AND AGENT DETAILS

### Applicant

Trevor Wicken Movement Solutions, LLC, DBA  
RISE Movement Solutions  
3376 West Aksarben Avenue  
Littleton, CO 80123  
UNITED STATES OF AMERICA

### Agent

WILSON LUE LLP  
250 University Avenue, 5th Floor, Toronto,  
ONTARIO, M5H3E5

## TRADEMARK DETAILS

# THE MS GYM

### Trademark Type

Word

### Goods

#### Class 09

Downloadable electronic personal fitness guides

### Services

#### Class 41

Personal fitness training services; providing information and non-downloadable instructional videos in the field of personal fitness via a website

### Claims

Priority Filing Date: December 22, 2017, Country or Office: UNITED STATES OF AMERICA,  
Application No: 87732817 in association with the same kind of goods and in association with the same kind of services

**Application Number** 1,904,060  
**Language of Application** English

**Filing Date** 2018-06-13

## APPLICANT AND AGENT DETAILS

### Applicant

Otter Products, LLC  
209 S. Meldrum Street  
Fort Collins, CO 80521  
UNITED STATES OF AMERICA

### Agent

BORDEN LADNER GERVAIS LLP  
Bay Adelaide Centre, East Tower, 22 Adelaide  
St. West, TORONTO, ONTARIO, M5H4E3

## TRADEMARK DETAILS

# LIFEACTIV

### Trademark Type

Standard Characters

### Goods

#### Class 09

Electric charging cables; audio cables; cell phone auxiliary cables; batteries specially adapted for use with protective cases and covers for mobile electronic devices; battery chargers specially adapted for use with protective cases and covers for mobile electronic devices; rechargeable batteries for use with mobile electronic devices; external batteries for mobile electronic devices; and battery chargers for wireless charging of mobile electronic devices

### Claims

Priority Filing Date: February 09, 2018, Country or Office: UNITED STATES OF AMERICA,  
Application No: 87/792,085 in association with the same kind of goods

**Application Number** 1,904,064  
**Language of Application** English

**Filing Date** 2018-06-13

## APPLICANT AND AGENT DETAILS

### Applicant

Hasbro, Inc.  
1027 Newport Avenue  
Pawtucket, RI 02861  
UNITED STATES OF AMERICA

### Agent

BERESKIN & PARR LLP/S.E.N.C.R.L., S.R.L.  
SCOTIA PLAZA, 40 KING STREET WEST,  
40th FLOOR, TORONTO, ONTARIO, M5H3Y2

## TRADEMARK DETAILS

# ZOOPS

### Trademark Type

Standard Characters

### Goods

#### Class 28

toys, games and playthings, namely, toy bracelets, toy balls, plastic and vinyl toy figures and accessories for use therewith



**Application Number** 1,904,075  
**Language of Application** English

**Filing Date** 2018-06-13

## APPLICANT AND AGENT DETAILS

### Applicant

ABB AG  
Kallstadter Straße 1  
68309 Mannheim  
GERMANY

### Agent

MARKS & CLERK  
180 KENT STREET, SUITE 1900, P.O. BOX  
957, STATION B, OTTAWA, ONTARIO,  
K1P5S7

## TRADEMARK DETAILS

# DPT

### Trademark Type

Standard Characters

### Goods

#### Class 09

apparatus and instruments for conducting, switching, transforming, accumulating, regulating, or controlling electricity, namely, electric switch plates, voltage regulators, transformers, electricity conduits, electricity meters, electrical conductors for transformers, including parts for all the aforesaid goods

### Claims

Priority Filing Date: April 17, 2018, Country or Office: GERMANY, Application No: 30 2018 010068.2 in association with the same kind of goods

**Application Number** 1,904,150  
**Language of Application** English

**Filing Date** 2018-06-13

## APPLICANT AND AGENT DETAILS

### Applicant

Blue Door Realty Group Inc.  
42 Glencrest Blvd  
Toronto  
ONTARIO  
M4B1L4

### Agent

JULIE MACDONELL  
(The Trademark Shop), 315 King Street East,  
Hamilton, ONTARIO, L8N1C2

## TRADEMARK DETAILS

# BLUE DOOR REALTY

### Trademark Type

Word

### Goods

#### Class 16

pamphlets, flyers, newsletters, booklets, advertising signs of cardboard and paper, paper banners, stickers and decals;

### Services

#### Class 36

(1) real estate services, namely, real estate management; real estate financing and broker services; real estate appraisal; real estate agency services; real estate consultancy; providing information in the field of real estate services, namely, real estate management, real estate financing and broker services, real estate appraisal, real estate agency services and real estate consultancy via a website;

#### Class 37

(2) real estate services, namely, real estate development;

#### Class 42

(3) hosting of a website containing real estate listings and real estate information;

**Application Number** 1,904,151  
**Language of Application** English

**Filing Date** 2018-06-13

## APPLICANT AND AGENT DETAILS

### Applicant

Blue Door Realty Group Inc.  
42 Glencrest Blvd  
Toronto  
ONTARIO  
M4B1L4

### Agent

JULIE MACDONELL  
(The Trademark Shop), 315 King Street East,  
Hamilton, ONTARIO, L8N1C2

## TRADEMARK DETAILS

### Trademark Type

Design

### Visual Representation



### Goods

#### Class 16

pamphlets, flyers, newsletters, booklets, advertising signs of cardboard and paper, paper banners, stickers and decals;

### Services

#### Class 36

(1) real estate services, namely, real estate management; real estate financing and broker services; real estate appraisal; real estate agency services; real estate consultancy; providing information in the field of real estate services, namely, real estate management, real estate financing and broker services, real estate appraisal, real estate agency services and real estate consultancy via a website;

#### Class 37

(2) real estate services, namely, real estate development;

#### Class 42

(3) hosting of a website containing real estate listings and real estate information;

**Application Number** 1,904,182  
**Language of Application** English

**Filing Date** 2018-06-13

## APPLICANT AND AGENT DETAILS

### Applicant

G.G. CREATIVE INC.  
3201 Sundance Drive  
West Kelowna  
BRITISH COLUMBIA  
V4T1S4

### Agent

RICHARD D. OKIMAW  
Lawson Lundell LLP, Suite 403-460 Doyle  
Avenue, Kelowa, BRITISH COLUMBIA,  
V1Y0C2

## TRADEMARK DETAILS

# CREATURE CASTER

### Trademark Type

Standard Characters

### Goods

#### Class 01

(1) Epoxy putty for use with resin figurines; Cyanoacrylate glue and plastic cement

#### Class 02

(2) paints namely, acrylic and oil

#### Class 08

(3) Manual clippers; needle diamond files

#### Class 09

(4) Pre-recorded videos namely for teaching others how to paint resin scale models

#### Class 16

(5) Synthetic and natural hair brushes, namely artists' and painters' brushes

#### Class 20

(6) Resin figurines

### Services

#### Class 40

Production and manufacturing of resin scale models for others

**Application Number** 1,904,429  
**Language of Application** English

**Filing Date** 2018-06-15

## APPLICANT AND AGENT DETAILS

### Applicant

Shenzhen EZBL Digital Technology Co., Limited Rm 1610, 5th Fl, 1610, 5th Fl

### Agent

MILTONSON INC  
15 Fitzgerald Rd, Suite 200, Ottawa,  
ONTARIO, K2H9G1

## TRADEMARK DETAILS

# Okcsc

### Trademark Type

Word

### Goods

#### Class 09

PC tablets; Computer mouse; DVD players; CD players; MP3 players; MP4 players; Record players; Cell phone covers; Headphones; Earphones; Camera batteries; Cell phone battery chargers; Electric wires and cables; Smartphones.

**Application Number** 1,904,493  
**Language of Application** English

**Filing Date** 2018-06-15

## APPLICANT AND AGENT DETAILS

### Applicant

Armorgard Holdings Limited  
Unit 14-16, Standard Way  
Fareham Industrial Park,  
Fareham, Hampshire, PO16 8XB  
UNITED KINGDOM

### Agent

NEIL WILLIAM HENDERSON  
(GOWLING WLG (Canada) LLP), 50 Queen  
Street North, Suite 1020, P.O. Box 2248 ,  
Kitchener, ONTARIO, N2H6M2

## TRADEMARK DETAILS

# ARMORGARD

### Trademark Type

Word

### Goods

#### Class 06

(1) Containers of metal for storage and handling solutions for tools and hazardous goods; Containers of metal for transport relating to storage and handling solutions for tools and hazardous goods; Storage chests made of metal for storage and handling solutions for tools and hazardous goods; Boxes of metal for storage purposes for storage and handling solutions for tools and hazardous goods; Tool storage containers of metal sold empty for storage and handling solutions for tools and hazardous goods;

#### Class 20

(2) Containers of plastic for storage and handling solutions for tools and hazardous goods; Containers of plastic for transport for storage and handling solutions for tools and hazardous goods; Containers of plastic for storage purposes and handling solutions for tools and hazardous goods; Storage chests made of plastic for storage and handling solutions for tools and hazardous goods; Boxes of plastic for storage purposes and handling solutions for tools and hazardous goods; Tool storage containers of plastic sold empty for storage and handling solutions for tools and hazardous goods;

### Services

#### Class 35

Retail and wholesale services in relation to containers of metal for storage and handling solutions for tools and hazardous goods, containers of metal for transport for storage and handling solutions for tools and hazardous goods, containers of metal for storage purposes and handling solutions for tools and hazardous goods, storage chests made of metal for storage and handling solutions for tools and hazardous goods, boxes of metal for storage purposes and handling solutions for tools and hazardous goods, tool storage containers of metal for storage and handling solutions for tools and hazardous goods, container of plastic for storage and handling solutions for tools and hazardous goods, containers of plastic for transport for storage and handling solutions for tools and hazardous goods, containers of plastic for storage purposes and handling solutions for tools and hazardous goods, storage chests made of plastic for storage and handling solutions for tools

and hazardous goods, boxes of plastic for storage purposes and handling solutions for tools and hazardous goods, tool storage containers of plastic for storage and handling solutions for tools and hazardous goods;

**Application Number** 1,904,603  
**Language of Application** French

**Filing Date** 2018-06-15

## APPLICANT AND AGENT DETAILS

### Applicant

L'OREAL, Société anonyme  
14 rue Royale  
75008 Paris  
FRANCE

### Agent

FASKEN MARTINEAU DUMOULIN LLP  
800 rue Square-Victoria, BUREAU 3700, C.P.  
242, MONTREAL, QUÉBEC, H4Z1E9

## TRADEMARK DETAILS

# SHAKE & GLOW

### Trademark Type

Word

### Goods

**Class 03**

Make-up.

### Claims

Priority Filing Date: March 02, 2018, Country or Office: FRANCE, Application No: 4433517 in association with the same kind of goods



**Application Number** 1,904,733  
**Language of Application** English

**Filing Date** 2018-06-18

## APPLICANT AND AGENT DETAILS

### Applicant

Norim Inc.  
387 Deslauriers  
Montreal  
QUEBEC  
H4N1W2

### Agent

HAROLD W. ASHENMIL  
1010 DE LA GAUCHETIÈRE WEST, SUITE  
1020, MONTREAL, QUEBEC, H3B2N2

## TRADEMARK DETAILS

### Trademark Type

Design

### Visual Representation



### Goods

#### Class 03

(1) Body soaps, facial soaps and hand soaps;

#### Class 29

(2) Olive oil, raisins, currents;

(3) Beans, lentils, jams, roasted eggplants, stuffed vine leaves, roasted red pepper, feta cheese, pimentos;

#### Class 30

(4) Tinned fruits namely apples, applesauce, cherries, pineapple, pears, apricots, cranberries, peaches, prunes, plums and grapes; Legumes namely carrots, peas, corn, artichokes, pickles, peppers, green beans, asparagus, eggplant, beets and turnip; Herbs and spices namely cloves, bay leaves, cardamom, cinnamon, cumin, fennel, garlic powder, ginger, nutmeg, paprika, peppercorns, rosemary, sage, thyme, turmeric, chives, pepper, basil, oregano and mint; sea salt, table salt, vinegar, balsamic vinegar, wine vinegar, apple vinegar, lemon juice, lemons seasoning, rice, tomato paste;

(5) Honey, mustard, couscous, tea, coffee, chocolate, biscuits, wafers, melomakarona, spaghetti, gnocchi;

**Class 31**

(6) Cereals namely oats, barley, flax seed, wheat flour, quinoa, wheat spelt, soy, bran, buckwheat, farina;

(7) Olives;

**Services****Class 35**

The importing and sale at wholesale of packaged foods, namely herbs and spices, cereals, raisins and currents, pickled peppers, rice, tomato paste, tinned fruits and vegetables, lemon juice and legumes

**Application Number** 1,904,762  
**Language of Application** English

**Filing Date** 2018-06-18

## APPLICANT AND AGENT DETAILS

### Applicant

IPL Inc.  
140, rue Commerciale  
St-Damien  
QUEBEC  
G0R2Y0

### Agent

JONATHAN N. AUERBACH  
(STIKEMAN ELLIOTT S.E.N.C.R.L., SRL/LLP),  
1155 RENE-LEVESQUE BLVD. WEST, SUITE  
4000, MONTREAL, QUEBEC, H3B3V2

## TRADEMARK DETAILS

### Trademark Type

Design

### Visual Representation



### Goods

#### Class 07

(1) Injection molding machines for processing plastics; Machines for sealing plastics; machinery for shaping plastic material; Plastic moulding machines

#### Class 09

(2) Plastic road cones

#### Class 20

(3) Plastic crates, tubs, and boxes for packaging purposes; Plastic storage tanks; Plastic water tanks; Plastic storage drums; Compost bins of plastic; Plastics boxes for packaging; Plastic lids for cans; Packaging containers of plastic; Pots of plastic for packaging; Plastic trays [containers] used in food packaging; Plastic recycling bins for commercial use; Plastic garden furniture; Plastic handles for pails; Plastic signboards; plastic bulk containers for packaging; Plastic squeeze tubes, empty; Threaded rivets of plastic; Threaded screws of plastic; Water-pipe valves of plastic; Storage chests made of plastic; plastic holders for signboards; plastic closures for containers; Plastic racks for tools; Container closures of plastic

#### Class 21

(4) Plastic bins, namely, dustbins; Basins, namely, plastic bowls; Plastic spray nozzles for deodorant and salted water spray; Plastic bathtubs for children; Composting receptacles of plastic

### Services

#### Class 40

Processing of plastic; Treatment and processing of plastic; Providing information relating to the processing of plastics; Application of wear-resistant coatings on metals and plastics

**Application Number** 1,904,774  
**Language of Application** English

**Filing Date** 2018-06-18

## APPLICANT DETAILS

### Applicant

Khaled Harb First Brands - Canada  
4000 de Maisonneuve Blv. West, Westmount  
Apartment 1210  
Westmount  
QUEBEC  
H3Z1J9

## TRADEMARK DETAILS

### Trademark Type

Design

### Visual Representation

### Goods

#### Class 07

(1) air compressors for vehicles; air drills; air hammers; air screwdrivers; bread cutting machines; chain saws; chainsaws; clothes washers; clothes washing machines; commercial and industrial vacuum cleaners; dish washing machines for household purposes; dish washing machines for industrial purposes; dishwasher fittings; dishwasher racks being parts of a dishwasher; dishwashers; electric carpet sweeper; electric chain saws; electric coffee mills; electric fan units for vacuum cleaners; electric food blenders; electric food blenders for household purposes; electric food choppers; electric food processors; electric food slicers; electric fruit presses for household use; electric fruit squeezers for household purposes; electric graters; electric hammers; electric hand drills; electric hand-held drills; electric hedge shears; electric ice crushers; electric ice crushing machines; electric jacks; electric juice extractors; electric juice extractors; electric juicers; electric knives; electric lawn trimmers; electric lawnmowers; electric meat grinders; electric milk frothers; electric mixers for household purposes; electric motors for machines; electric nail guns; electric pepper mills; electric salt mills; electric screwdrivers; electric vacuum cleaners and their components; electric washing machines for industrial purposes; electric welding machines; electrical drills; electrical juice extractors for fruit; electrical squeezers for fruit and vegetable; floor buffing machines; floor cleaning machines; floor polishers; floor polishing machines; floor sanders; floor sanding discs; floor washing machines; flour mill machines; food mixers; food mixing machines for commercial use; food peeling machines for commercial use; food slicing machines for commercial use; glue guns; hand mixers; hand-held electric drills; hand-held electric hammers; hand-held pneumatic drills; hand-held pneumatic hammers; hand-held vacuum cleaners; hoses for vacuum cleaners; juice extractors; kneading machines; knife grinding machines; knife sharpening machines; paint guns; paint mixing machines; paint spray guns; power chain saws; power drill bits; power hammers; power jacks; power saws; power tools; power winches; power-operated meat mincers; steam cleaning machines; vacuum cleaner attachments; vacuum cleaner bags; vacuum

cleaner hoses; vacuum cleaner nozzles; vacuum cleaners; vacuum cleaners for household purposes; vacuum cleaners for industrial purposes; vacuum packing machines; vegetable grating machines; washing machines; washing machines for household purposes; welding machines;

### **Class 08**

(2) adjustable spanners; adjustable wrenches; all purpose scissors; animal hair clippers; axes; baby cutlery; baby spoons, table forks and table knives; barbecue forks; battery-powered animal nail grinders; beard clippers; beard trimmers; bit drivers for hand tools; bits for hand drills; blades for electric razors; blades for hand saws; blades for hand-operated planes; blades for knives; bread knives; budding knives; butcher knives; butter curlers; butter knives; cake cutters; cake forks; cake knives; can openers, non-electric; carving forks; carving knives; cases for razors; cases specially adapted for electric hair curling irons; cheese knives; chef knives; chisels; cleavers; clothes irons; coffee spoons; cooking forks; curling tongs; cutlery; cutlery of precious metals; cutting pliers; dessert forks; dessert knives; dessert spoons; diving knife holders; diving knives; dog clippers; dough knives; drill bits for hand drills; electric and battery-powered hair clippers; electric and battery-powered hair trimmers; electric and non-electric depilation appliances; electric beard clippers; electric beard trimmers; electric crimping irons for the hair; electric depilatory appliances; electric ear hair trimmers; electric fingernail polishers; electric flat irons; electric hair clippers; electric hair crimper; electric hair crimpers; electric hair curling irons; electric hair cutters; electric hair straighteners; electric hair straightening irons; electric hair styling irons; electric hair trimmers; electric hand-held hair styling irons; electric irons; electric irons for styling hair; electric manicure sets; electric nail buffers; electric nail files; electric nasal hair trimmers; electric pedicure sets; electric razors; electric shavers; electric steam irons; electrical hair straighteners; electrical hair straightening irons; eyelash curlers; eyelash formers; fireplace shovels; fireplace tongs; fish forks; fish knives; fish scalers; fish scoops; fish slicing kitchen knives; fishskinning pliers; fishing knives; flat irons; flatware; folding knives; fondue forks; french fry cutters; fruit knives; fruit muddlers; fruit peelers; fruit segmenters; gardening scissors; gardening shears; gardening shears and scissors; gardening tools; glass cutters; grapefruit knives; grapefruit spoons; grapefruit trimmers; hair clippers; hair clippers for animals being hand instruments; hair cooling irons for hair conditioning; hair crimping irons; hair cutting equipment; hair cutting scissors; hair-cutting scissors; hair-removing tweezers; hairdressing scissors; hand forks; hand held cutting tools; hand hooks; hand jacks; hand operated food dicers; hand operated hammers; hand operated plumbing snakes; hand saws; hand tools; hand-held drills; hand-operated chisels; hand-operated food dicers; hand-operated food processors; hand-operated hair clippers; hand-operated hair clippers for animals; hand-operated hammers; hand-operated hand drills; handoperated hand tools; hand-operated jig-saws; hand-operated jigsaws; hand-operated sanders; hand-operated saws; hand-operated slicers; hand-operated wrenches; handsaws; hotdog cooking forks; household knives; household shears; ice cream spoons; ice hammers; Japanese chopping kitchen knives; Japanese grip scissors; Japanese kitchen knives for chopping; Japanese razors; Japanese thread clippers; jig saws; jig-saws; jigsaws; kitchen knives; kitchen knives for slicing fish; kitchen mandolines; kitchen scissors; kitchen shears; knife sets; knife sharpeners; knives for hobby use; knives for skinning animals; knives for skinning fish; knives made of precious metal; manicure sets; manicure tools; manual potato peelers; meat forks; meat tenderizers in the form of kitchen mallets; metal cutting saws; metal cutting scissors; metal-cutting saws; metal-cutting scissors; non-electric beard clippers; non-electric beard trimmers; non-electric can openers; non-electric cheese planes; non-electric cheese slicers; non-electric egg slicers; non-electric flat irons; non-electric fruit peelers; non-electric hair clippers; non-electric mincers; non-electric nail buffers; non-electric pasta makers for domestic use; non-electric pizza cutters; non-electric pizza slicers; non-electric razors; non-electric shavers; non-electric tin openers; oyster openers; pedicure kits; pedicure sets; pedicure

tools; pizza slicers; poultry scissors; rice scoops; salad forks; scissors; scissors for children; scissors for household use; scissors for kitchen use; screw wrenches; screwdrivers; sewing scissors; sharpening steels; sharpening stones; spoons; spoons for ice cream; spoons for tea; spoons made of precious metal; spoons of precious metal; sport knives; stainless steel table forks; stainless steel table knives; stainless steel table spoons; staple guns; steak knives; steam irons; sterling silver table forks; sterling silver table knives; sterling silver table spoons; sugar scoops; table cutlery; table forks; table knives; table knives, forks and spoons for babies; table knives, forks and spoons of plastic; table spoons; tablespoons; tea spoons; teaspoons; tool handles made of wood; tool handles of metal; tool handles of plastic; vegetable choppers; vegetable corers; vegetable knives; vegetable peelers; vegetable shredders; vegetable slicers; wire crimpers; wire cutters; wire strippers; wrenches;

**Class 09**

(3) bathroom scales; kitchen timers; kitchen weighing scales;

**Class 11**

(4) air fryers; air humidifiers; air purifiers for household purposes; baby bottle sterilizers; baking ovens for household purposes; barbecue grills; barbecues; barbecues and grills; barbeques; bath fittings; bath tubs and shower trays; bicycle lamps; bicycle lights; bidet taps; bidets; bread baking machines; bread machines; bread making machines; bread toasters; bread-making machines; breadmakers; camping stoves; ceiling fans; ceiling lights; ceiling spotlights; chandeliers; charcoal roasters for household purposes; chinese lanterns; Christmas tree lights; clothes dryers; coffee roasters; coffee roasting ovens; commercial cooking ovens; convection ovens; conventional ovens; cooking grills; cordless electric coffee pots; cotton candy making machines; decorative tabletop water fountains; deep fat fryers; deep fryers; deep frying machines; dehumidifiers; dehumidifiers for household purposes; dehumidifiers for household use; desk lamps; domestic fireplaces; electric appliances for making yoghurt; electric appliances for making yogurt; electric blankets; electric blankets for household purposes; electric blankets for household use; electric boilers; electric bread cookers; electric bread toasters; electric Chinese lanterns; electric chocolate fountains; electric clothes dryers; electric clothes drying machines for household purposes; electric coffee brewers; electric coffee machines; electric coffee makers for household purposes; electric coffee percolators; electric coffee roasters; electric coffee urns; electric coffeemakers; electric cooking griddles; electric cooking ovens for household purposes; electric cooking pots and pans; electric cooking pots for household purposes; electric cooking pots for industrial purposes; electric cooking steamer; electric cooking stoves for household purposes; electric cooktops; electric deep fryers; electric egg boilers; electric egg steamers for household purposes; electric espresso machines; electric fans for household purposes; electric flashlights; electric food steamers; electric food warmers; electric foot warmers; electric footwarmers for personal use; electric freezers for household purposes; electric frying pans; electric griddles; electric grills; electric hair dryers; electric hand drying apparatus for washrooms; electric heaters for babies bottles; electric heaters for baby bottles; electric hot air hand dryers; electric hot-water bottles; electric hotplates; electric indoor grills; electric kettles; electric kettles for household purposes; electric lamps; electric lanterns; electric laundry dryers for household purposes; electric lights for christmas trees; electric night lights; electric outdoor grills; electric panini makers; electric patio heaters; electric popcorn makers; electric pressure cooking saucepans; electric radiant heaters; electric radiant heaters for household purposes; electric radiators; electric radiators for heating buildings; electric refrigerators for household purposes; electric rice cookers; electric sandwich makers; electric sandwich toasters; electric saucepans; electric space heaters; electric stoves; electric tea kettles; electric tea pot; electric toaster ovens; electric toasters for household purposes; electric torches for lighting; electric tortilla presses; electric waffle irons; electric waffle makers; electric wireless coffeepots;

electric woks; electric yogurt makers; electrical boilers; electrical elements for ovens; electrical elements for stoves; electrical ice-cream makers; electrical rice cookers; electromagnetic induction cookers for household purposes; electromagnetic induction cookers for industrial purposes; electronic candles; fabric steamers; facial saunas; facial steamers; fireplace heating inserts; fireplace inserts; fireplace vents; fireplaces; floor lamps; fluorescent lamp tubes; fluorescent lamps; fluorescent lighting fixtures; food dehydrators; freezers; fridge-freezers; fruit roasters; garment steamers; gas boilers; gas burners; gas cooking ovens for household purposes; gas fires; gas grills; gas lamps; gas lighters; gas stoves; gas stoves for household purposes; gaspowered griddles cooking appliance; hair diffusers; hair driers; hair dryers; hair dryers for household purposes; hair drying machines for beauty salon use; hair steamers for beauty salon use; halogen lamps; halogen light bulbs; hand dryers; hand drying apparatus for washrooms; hand showers; hand-held shower heads; handheld shower heads; head lamps; heated towel rails; heaters for baths; hot air ovens; hot plates; hot plates for household purposes; hot water boilers; hot water bottles; hot water heaters; humidifiers; humidifiers for household purposes; ice boxes; ice chests for household purposes; ice cream makers; ice cube makers; ice dispensing machines; ice machines; ice making machine parts; ice making machines; icecream making machines; induction ovens; industrial rice cookers; Japanese charcoal cooking stoves for household purposes (shichirin); Japanese charcoal heaters for household use [hibachi]; kitchen stoves; klieg lights; lanterns; lava rocks for use in barbecue grills; lighting fixtures; lights for bicycles; microwave ovens; microwave ovens for cooking; microwave ovens for domestic use; microwave ovens for household purposes; motorcycle lights; patio heaters; pizza ovens; plate warmers; pocket search lights; popcorn machines; portable electric fans; portable electric heaters; refrigerators; roof fans; rotisseries; searchlights; table lamps; taps for bidets; toaster ovens; toasters; toilet bowls; toilet cisterns; toilet seats; toilet tank balls; toilet tanks; toilets; touchless electric hand dryers; ventilating fans; wall lamps; water coolers; water heaters; water heaters for household purposes;

### **Class 21**

(5) asparagus tongs; bakeware; baking mats; baking pans; barbecue mitts; barbecue tongs; basting brushes; basting spoons; basting spoons for kitchen use; beer glasses; beer mugs; beer steins; beverage containers; beverage glassware; beverage stirrers; bottle openers; bread baskets; bread baskets for household purposes; bread bins; bread boards; bread boxes; bread tongs; bread-cases for kitchen use; butter dishes; canister sets; ceramic jugs; ceramic mugs; cheese boards; cheese graters; cheese graters for household purposes; cheese-dish covers; china dinnerware; chinaware; chopping boards for kitchen use; cleaning cloth; cleaning mitts; cleaning, dusting and polishing cloths; coffee cups; coffee mugs; coffee scoops; coffee services; coffee sets; cookie cutters; cookie jars; cooking graters; cooking pans; cooking pot sets; cooking pots; cooking sieves; cooking sieves and sifters; cooking skewers; cooking skewers of metal; cooking strainers; cooking utensils; cookware; cups; cups and mugs; cutlery trays; cutting boards; cutting boards for the kitchen; decanter tags; decanters; decorative crystal prisms; decorative figurine glassware; decorative glass; decorative plates; decorative sand bottles; demijohns; demitasse sets comprised of cups and saucers; dinner plates; dinnerware; dish covers; dish drainers; dishes; dishes and plates; dishes for soap; drink coasters; drinking bottles for sports; drinking cups; drinking flasks; drinking flasks for travelers; drinking glasses; drinking horns; drinking saucers; drinking steins; earthenware; earthenware saucepans; earthenwares; egg cups; egg poachers; egg separators; electric combs; electric hair combs; electric insect killer; enamelled glass; flour sifters; flower baskets; flower bowls; flower pot holders; flower pots; flower vases; flower vases and bowls; flower vases of precious metal; flower-pot covers; food basters; food preserving jars of glass; food storage containers; fruit bowls; fruit bowls of glass; fruit cups; frying pans; garlic presses; glass bowls; glass bowls for live goldfish; glass carafes; glass centrepieces;



glass coasters; glass dishes; glass for tabletops; glass jars; glass ornaments; graters for household purposes; graters for kitchen use; gravy boats; grill cleaning scrapers; hair brushes; hair for brushes; hairbrushes; hand-operated coffee grinders; hand-operated coffee grinders and pepper mills; hand-operated milk frothers; hand-operated pepper mills; hand-operated whisks; heat-insulated containers for beverages; ironing board covers; ironing boards; jars; jugs; juice reamers; kitchen enamelware; kitchen ladles; kitchen mitts; kitchen pot lids; lemon squeezers; lunch boxes; lunch-boxes; lunchboxes; manual garlic choppers; manual garlic cutters; manual garlic peelers; manual meat grinder; manual milk frothers; manual whisks; manually operated coffee mills; margarita glasses; meal trays; meat tongs; mixing bowls; mixing cups; mixing spoons; mug trees; mugs; mustard pots; non-electric coffee pots; non-electric cooking pans; non-electric cooking pots and pans; non-electric cooking steamers; nonelectric deep fryers; non-electric food blenders for household purposes; non-electric frying pans; non-electric griddles; non-electric Japanese cast iron kettles [tetsubin]; non-electric kettles; non-electric portable coldboxes; non-electric pressure cooker canners; non-electric rice cooking pots; non-electric waffle irons; non-electric whisks; non-electrical coffee grinders; non-electrical ice cream makers; nylon coffee filters; oil bottles; opal glass; opaline glass; oven mitts; ovenware; painted glassware; pasta serving forks; pastry brushes; pastry molds; pepper grinders; pepper pots, sugar bowls and salt shakers; perfume bottles; perfume bottles sold empty; pitchers; plates; plates for hors d'oeuvre; potato mashers; pots; pots and pans; pots and pans scrapers; pottery; salad bowls; salad servers; salad spinners; salad tongs; salt and pepper mills; salt and pepper shakers; salt cellars; salt shakers; sandwich boxes; sauceboats; saucepan scourers; saucepan scourers of metal; saucers; saucers for flower pots; saucers made of precious metals; serving bowls (hachi); serving dishes; serving forks; serving ladles; serving plates; serving spoons; serving tongs; serving trays; small jugs; soap boxes; soap dishes; soap dispensers; soap holders; soap holders and boxes; soup bowls; spaghetti tongs; spatulas for kitchen use; spice mills; spice racks; spice sets; sponge holders; sports bottles sold empty; stained glass; sugar bowls; sugar tongs; table glassware; table plates; tea canisters; tea cups; tea service; tea sets; teacups [yunomi]; teapots; tongs for ice; vacuum bottles; vacuum flasks; vases; vegetable dishes; vegetable tongs; vinegar cruets; wall soap dishes; washing boards; water bottles; water bottles sold empty; water glasses; whistling kettles; wine glasses; woks;

**Application Number** 1,904,968  
**Language of Application** English

**Filing Date** 2018-06-18

## **APPLICANT DETAILS**

**Applicant**  
PS FOOD DESIGN INC.  
9265 Shaughnessy St  
Vancouver  
BRITISH COLUMBIA  
V6P6R4

## **TRADEMARK DETAILS**

# **2 GUYS WITH KNIVES**

**Trademark Type**  
Word

### **Goods**

#### **Class 29**

(1) Meat-based meals; Vegetable-based meals; Legume-based meals; Soy-based meals; Sweet potato-based and potato-based meals; Prepared salads; Edible nut-based desserts; Snack food dips

#### **Class 30**

(2) Oat-based meals; Rice-based meals; Pasta-based and noodle-based meals; Chocolate-based desserts; Sandwiches and wrap sandwiches

#### **Class 31**

(3) Fresh fruits and vegetables

### **Services**

#### **Class 35**

(1) Wholesale and retail sale of food

#### **Class 39**

(2) Delivery of food by truck

#### **Class 41**

(3) Fitness training

#### **Class 43**

(4) Catering services

#### **Class 44**

(5) Consulting services in the field of nutrition

**Application Number** 1,905,391  
**Language of Application** English

**Filing Date** 2018-06-20

## APPLICANT AND AGENT DETAILS

### Applicant

Dynamark Management Corp.  
495, boul. Armand-Frappier  
Laval  
QUEBEC  
H7V4B3

### Agent

FASKEN MARTINEAU DUMOULIN LLP  
800 rue Square-Victoria, BUREAU 3700, C.P.  
242, MONTREAL, QUEBEC, H4Z1E9

## TRADEMARK DETAILS

# DYNAKULT

### Trademark Type

Word

### Goods

#### Class 01

(1) Probiotic bacterial cultures for the food industry.

#### Class 05

(2) Probiotic supplements, nutritional supplements, dietary supplements and liquid probiotic nutritional supplements for general health and well-being; Beverages containing probiotics for use as a nutritional supplement for general health and well-being; Probiotic preparations for medical purposes to help maintain a natural balance of the human flora; Preparations containing probiotic bacteria for the prevention and treatment of diseases of the digestive system and human flora; Preparations for veterinary use containing probiotic bacteria for the prevention and treatment of diseases of the digestive system and animal flora.

### Services

#### Class 35

(1) Organisation of promotional campaigns related to health, food and nutrition in the nature of trade shows and marketing campaigns for the benefit of third parties.

#### Class 41

(2) Publication of promotional material over the internet related to the field of probiotics namely, newsletters and brochures.

#### Class 44

(3) Providing information in the field of probiotics, via a website.

**Application Number** 1,905,505  
**Language of Application** French

**Filing Date** 2018-06-21

## APPLICANT AND AGENT DETAILS

### Applicant

Bara Technologies inc.  
290-445 Av. Saint-Jean-Baptiste  
Québec  
QUÉBEC  
G2E5N7

### Agent

FASKEN MARTINEAU DUMOULIN S.E.N.C.R.  
L., SRL  
140, GRANDE ALLEE EST, BUREAU 800,  
QUEBEC, QUÉBEC, G1R5M8

## TRADEMARK DETAILS

# BARA TECHNOLOGIES

### Trademark Type

Word

### Services

#### Class 42

Computer programming services; computer design services; design, development and implementation of software; software design consulting services; computer software consulting; database development services; data migration services; technical support for diagnosing computer problems; Internet site design for others; product design consulting; provision of cloud computing for data storage; cloud computing providing database management software; web hosting services via cloud computing; development of software for secure network operations; consultant services regarding Internet security; computer network security services; data encryption and decoding services; computer virus protection services; computer services for spam filtering.

**Application Number** 1,905,558  
**Language of Application** English

**Filing Date** 2018-06-21

## APPLICANT AND AGENT DETAILS

### Applicant

Fat Guys Auto Parts Inc.  
333 Memorial Ave  
Thunder Bay  
ONTARIO  
P7B3Y4

### Agent

LABARGE WEINSTEIN LLP  
515 Legget Drive, Suite 800, Ottawa,  
ONTARIO, K2K3G4

## TRADEMARK DETAILS

### Trademark Type

Design

### Visual Representation



### Goods

#### Class 30

Barbecue sauce; ketchup sauce; seasoned salt; hot dog sauce

### Services

#### Class 35

Distributorships in the field of automotive parts; online sales of automobile parts; retail sale of automobile parts.

**Application Number** 1,905,563  
**Language of Application** English

**Filing Date** 2018-06-21

## APPLICANT AND AGENT DETAILS

### Applicant

gram holdings Co., Ltd  
1-12, Sonezaki 2-chome  
Kita-ku, Osaka-shi  
Osaka 530-0057  
JAPAN

### Agent

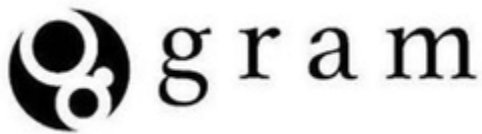
MACRAE & CO.  
P.O. BOX 806, STATION B, 222 SOMERSET  
STREET WEST, SUITE 600, OTTAWA,  
ONTARIO, K2P2G3

## TRADEMARK DETAILS

### Trademark Type

Design

### Visual Representation



### Goods

#### Class 30

Tea; coffee; cocoa; bread; pancakes; cakes; maple syrup for pancakes; bakery desserts, namely, brownie squares, pies and cookies; frozen dessert consisting of fruit and cream or cream substitutes; pastries; tiramisu; dessert puddings; dessert mousse; dessert soufflé; ice cream desserts

### Services

#### Class 43

Restaurant and café services; take-out restaurant services; providing of food and drink, namely, catering services

**Application Number** 1,905,627  
**Language of Application** English

**Filing Date** 2018-06-21

## APPLICANT AND AGENT DETAILS

### Applicant

Early Autumn, Inc.  
126 Via Lorca  
Newport Beach, CA 92663  
UNITED STATES OF AMERICA

### Agent

AMY CROLL  
(Origins IP), 1115 Wellington St. West, Ottawa,  
ONTARIO, K1Y2Y6

## TRADEMARK DETAILS

# BEEK

### Trademark Type

Word

### Goods

#### Class 14

(1) leather key chains.

#### Class 18

(2) Handbags, purses; shoulder bags; wallets; tote bags; messenger bags; shopping bags of leather; make-up bags sold empty.

#### Class 25

(3) Footwear, namely, sandals, boots, booties, shoes, tennis shoes, and sneakers.

(4) Clothing, namely, shirts, tank tops, sweatshirts, sweaters, pants, shorts, skirts, leggings, dresses, jackets, socks, scarves, and swimwear; Headwear, namely, hats, caps, and headbands.

### Services

#### Class 35

Retail store services featuring footwear; Retail store services featuring clothing, headwear, bags and key chains.

### Claims

Priority Filing Date: December 22, 2017, Country or Office: UNITED STATES OF AMERICA, Application No: 87732219 in association with the same kind of goods (3)

**Application Number** 1,905,637  
**Language of Application** English

**Filing Date** 2018-06-21

## APPLICANT AND AGENT DETAILS

### Applicant

WORLD TRIATHLON CORPORATION  
3407 W. Dr. Martin Luther King Jr. Blvd., Suite  
100  
Tampa, FL 33607  
UNITED STATES OF AMERICA

### Agent

DEETH WILLIAMS WALL LLP  
150 YORK STREET, SUITE 400, TORONTO,  
ONTARIO, M5H3S5

## TRADEMARK DETAILS

### Trademark Type

Design

### Visual Representation



### Goods

#### Class 09

(1) digital audio players, namely, MP3 players

#### Class 10

(2) orthopedic footwear; orthopedic inserts for footwear

#### Class 25

(3) inserts for footwear; insoles; heel inserts; water shoes



**Application Number** 1,905,660  
**Language of Application** English

**Filing Date** 2018-06-21

## APPLICANT AND AGENT DETAILS

### Applicant

Amazon Technologies, Inc.  
410 Terry Avenue North  
Seattle, WA 98109  
UNITED STATES OF AMERICA

### Agent

BERESKIN & PARR LLP/S.E.N.C.R.L., S.R.L.  
SCOTIA PLAZA, 40 KING STREET WEST,  
40th FLOOR, TORONTO, ONTARIO, M5H3Y2

## TRADEMARK DETAILS

# FIT STICKS

### Trademark Type

Word

### Goods

#### Class 05

Absorbent cotton; acne treatment preparations; adhesive bands for medical purposes; adhesive plasters; adhesive tapes for medical purposes; air deodorising preparations; air purifying preparations; alcohol for topical use; antibacterial handwashes; antibacterial soap; antioxidant pills; antiparasitic collars for animals; antiseptics; appetite suppressant pills; appetite suppressants for medical purposes; babies' diapers; analgesic balms; bandages for dressings; bath salts for medical purposes; bunion pads; analgesic chewing gum; breath freshening chewing gum for medicinal purposes; collagen for medical purposes; compresses; contact lens cleaning preparations; anti-inflammatory sprays; anti-bacterial sprays; nasal spray preparations; medicated throat sprays; creams, plasters and pads for treating corns; cough lozenges; diapers for incontinents; diapers for pets; dietary fiber to aid digestion; dietary supplements for pets for general health and wellbeing; fodder supplements for veterinary purposes; dietetic sugar beverages for medical use; electrolyte replacement beverages for medical purposes; vitamin preparations in the form of meal replacement drinks and powders; vitamin and mineral food supplements; disinfectant soap; first-aid boxes, filled; gauze for dressings; herbal teas for general health and wellbeing; hydrogen peroxide for medical purposes; infant formula; insect repellents; hair growth preparations; pediculicidal shampoos; insecticidal animal shampoo; medicinal herbs for general health and wellbeing; medicinal oils for general health and wellbeing; medicinal tea for general health and wellbeing; medicines for alleviating constipation; medicines for humans for general health and wellbeing; mineral supplements; mouthwashes for medical purposes; nutritional supplements for general health and wellbeing; mineral nutritional supplements; nutritional supplements for promoting fullness; nutritional supplements for weight control; nutritional supplements for laxative purposes; nutritional supplements for immune support; nutritional supplements for bone and joint support; nutritional supplements for healthy cholesterol support; nutritional supplements to relieve swelling, aches and pains; nutritional supplements to alleviate gas and bloating; nutritional supplements to support healthy memory and cognitive function; vitamin supplements in tablet form for making effervescent beverages when added to water; vitamin supplements in powder form for making effervescent beverages when added to water; panty liners; preparations for the treatment of burns; protein dietary supplements; medicated antiperspirants; sanitary napkins; sanitary tampons; sterilizing solutions for medical use, namely,

antiseptic preparations and antibiotic preparations; throat lozenges; veterinary preparations for general health and wellbeing; vitamin supplements.

**Application Number** 1,905,680  
**Language of Application** English

**Filing Date** 2018-06-21

## APPLICANT AND AGENT DETAILS

### Applicant

Enerco Group, Inc.  
4560 W. 160th Street  
Cleveland, OH 44135  
UNITED STATES OF AMERICA

### Agent

GOWLING WLG (CANADA) LLP  
SUITE 2600, 160 ELGIN STREET, OTTAWA,  
ONTARIO, K1P1C3

## TRADEMARK DETAILS

# CLEVELAND IRON WORKS

### Trademark Type

Word

### Goods

#### Class 11

wood stoves; pellet stoves

### Claims

Priority Filing Date: June 15, 2018, Country or Office: UNITED STATES OF AMERICA, Application No: 88/001,893 in association with the same kind of goods

**Application Number** 1,905,721  
**Language of Application** English

**Filing Date** 2018-06-21

## APPLICANT AND AGENT DETAILS

### Applicant

CAMPUS CRUSADE FOR CHRIST, INC.  
100 Lake Hart Drive, MC-3500  
Orlando, FL 32832-0100  
UNITED STATES OF AMERICA

### Agent

MILLER THOMSON LLP  
Pacific Centre, 725 Granville Street, Suite 400,  
VANCOUVER, BRITISH COLUMBIA, V7Y1G5

## TRADEMARK DETAILS

### Trademark Type

Design

### Visual Representation



## Services

### Class 41

(1) Providing non-downloadable instructional videos in the field of the training and development of athletes via a website

### Class 45

(2) Ministerial and evangelistic services; providing information relating to religion, spiritual and religious issues, achieving personal spiritual growth, self-awareness and self-knowledge, and building and strengthening personal relationships via websites and social media

## Claims

Priority Filing Date: December 21, 2017, Country or Office: UNITED STATES OF AMERICA, Application No: 87730499 in association with the same kind of services (1); March 28, 2018, Country or Office: UNITED STATES OF AMERICA, Application No: 87853738 in association with the same kind of services (2)

**Application Number** 1,905,758  
**Language of Application** English

**Filing Date** 2018-06-22

## **APPLICANT AND AGENT DETAILS**

### **Applicant**

M3 Urban, Inc  
36 Northline Road  
Unit 3  
Toronto  
ONTARIO  
M4B3E2

### **Agent**

ROBIN L.A. COSTER  
260 MAIN LODGE ROAD, CALEDON,  
ONTARIO, L7K0E9

## **TRADEMARK DETAILS**

# **M3 URBAN**

### **Trademark Type**

Word

### **Services**

#### **Class 36**

(1) real estate management, sales and leasing

#### **Class 37**

(2) real estate development

**Application Number** 1,905,878  
**Language of Application** English

**Filing Date** 2018-06-22

## APPLICANT AND AGENT DETAILS

### Applicant

Enviro Trace Ltd.  
70 Riel Drive  
St. Albert  
ALBERTA  
T8N4A6

### Agent

NORMAN J.K. BISHOP  
(BISHOP & MCKENZIE LLP), 2300 Manulife  
Place, 10180 - 101 Street NW, Edmonton,  
ALBERTA, T5J1V3

## TRADEMARK DETAILS

# SKYTRACE

### Trademark Type

Word

### Services

#### Class 42

Detection services that detect leaks in liquid and gas storage systems and facilities namely fuel tanks and pipelines

**Application Number** 1,905,914  
**Language of Application** English

**Filing Date** 2018-06-22

## APPLICANT AND AGENT DETAILS

### Applicant

ICBD INC.  
180 Sandalwood Parkway East  
Unit 6B 309  
Brampton  
ONTARIO  
L6Z1Y4

### Agent

ZAK MUSCOVITCH  
(Muscovitch Law Professional Corp.), 534  
Lawrence Avenue West, Unit 201, Toronto,  
ONTARIO, M6A1A2

## TRADEMARK DETAILS

# ICBD

### Trademark Type

Word

### Goods

#### Class 05

(1) Cannabinoid-based pharmaceuticals, medicaments and herbal remedies, namely herbal supplements for general health and well-being; Herbal supplements containing cannabinoids for general health and wellbeing; Nutritional and dietary supplements for human consumption, in capsule and liquid form, consisting of cannabis sativa extract to improve general health; Pharmaceutical preparations, namely herbal preparations to reduce stress, increase appetite, reduce anxiety, treat pain, relax tension and provide an improved sense of well-being; Herbal medicinal preparations in powder, liquid, capsule or tablet form all for reducing stress and fatigue, treating pain, increasing appetite and for mood enhancement; Herbal, botanical and plant extracts, for medical and personal use all for reducing stress and fatigue, and for mood enhancement; nutritional supplements, namely plant-derived nutrients in powder, liquid, capsule or tablet form all for reducing stress and fatigue, and for mood enhancement; Medicines in the form of pharmaceutical preparations and medicinal preparations for reducing stress and fatigue, and for mood enhancement

(2) Herbal medicinal preparations in liquid form treating pain

**Application Number** 1,906,448  
**Language of Application** English

**Filing Date** 2018-06-27

## APPLICANT AND AGENT DETAILS

### Applicant

Jinan Sanhuan Kitchen Utensils Co., Ltd.  
No. 16 Lihuang Road  
Tianqiao District  
Ji'nan, Shandong  
CHINA

### Agent

NEOMARK LTD.  
7450 rue Saint-Hubert, Montréal, QUEBEC,  
H2R2N3

## TRADEMARK DETAILS

### Trademark Type

Design

### Visual Representation



### Foreign Character Translation

ZHEN means 'attain; realize', SAN means 'three', HUAN means 'ring'. ZHEN SAN HUAN as a combination has no actual meaning when translated into English or French as provided by the applicant.

### Foreign Character Transliteration

The transliteration of the Chinese characters in the mark is ZHEN SAN HUAN as provided by the applicant.

### Goods

#### Class 21

Cooking pot sets; cooking pots; waste receptacles; food containers; beverage containers; containers for ice; food storage containers; garbage containers; heat-insulated containers for beverages; take-out food containers; thermal insulated containers for food or beverages; thermally insulated containers for food; cooking skewers of metal; kitchen pot lids; camping grills; cooking utensils; bread bins; thermally insulated containers for food.



**Application Number** 1,907,289  
**Language of Application** English

**Filing Date** 2018-07-03

## **APPLICANT DETAILS**

### **Applicant**

Nufarm Australia Limited  
103 Pipe Road Laverton North  
3026 Victoria  
AUSTRALIA

## **TRADEMARK DETAILS**

# **CARNIDINE**

### **Trademark Type**

Word

### **Goods**

#### **Class 05**

Agricultural pesticides, herbicides and insecticides.

**Application Number** 1,907,299  
**Language of Application** English

**Filing Date** 2018-06-27

## APPLICANT AND AGENT DETAILS

### Applicant

Perfetti Van Melle Benelux B.V.  
Zoete Inval 20 - 4815 HK Breda  
NETHERLANDS

### Agent

FINLAYSON & SINGLEHURST  
225 Metcalfe Street, Suite 700, Ottawa,  
ONTARIO, K2P1P9

## TRADEMARK DETAILS

# FRUIT-TELLA

### Trademark Type

Word

### Goods

#### Class 29

Fruit snacks, namely dried fruit-based snack bars; fruit-based snack food; snack mixes consisting of dehydrated fruit and roasted nuts.

### Claims

Priority Filing Date: March 19, 2018, Country or Office: Benelux Office for IP (BOIP), Application No: 1372084 in association with the same kind of goods

**Application Number** 1,907,427  
**Language of Application** English

**Filing Date** 2018-07-03

## APPLICANT AND AGENT DETAILS

### Applicant

Maintenance Connection, LLC  
1477 Drew Avenue, Ste. 103  
Davis, CA 95618  
UNITED STATES OF AMERICA

### Agent

MOFFAT & CO.  
P.O. Box 2088, Station D, Ottawa, ONTARIO,  
K1P5W3

## TRADEMARK DETAILS

### Trademark Type

Design

### Visual Representation



### Goods

#### Class 09

Downloadable computer software for maintenance management, namely, scheduling, tracking and managing preventative and predictive maintenance, tasks, equipment inventory, and emergency repairs in the fields of industry and manufacturing, namely warehouse management, process manufacturing, power generation, oil and gas, energy delivery, metal and mining and vehicle fleets, healthcare, namely, hospitals, medical facilities, biomed facilities, senior living facilities and medical device manufacturing, facilities management, and government, namely, local, state and federal government facilities management; downloadable computer software in the nature of a mobile application for maintenance management, namely, scheduling, tracking, and managing preventative and predictive maintenance, tasks, equipment inventory, and emergency repairs in the fields of industry and manufacturing, namely warehouse management, process manufacturing, power generation, oil and gas, energy delivery, metal and mining and vehicle fleets, healthcare, namely, hospitals, medical facilities, biomed facilities, senior living facilities and medical device manufacturing, facilities management, and government, namely, local, state and federal government facilities management

### Services

#### Class 41

(1) Training in the use and operation of software for maintenance management, namely, scheduling, tracking, and managing preventative and predictive maintenance, tasks, equipment inventory, and emergency repairs in the fields of industry and manufacturing, namely warehouse management, process manufacturing, power generation, oil and gas, energy delivery, metal and mining and vehicle fleets, healthcare, namely, hospitals, medical facilities, biomed facilities, senior living facilities and medical device manufacturing, facilities management, and government, namely, local, state and federal government facilities management

**Class 42**

(2) Providing online, non-downloadable software for maintenance management, namely, scheduling, tracking and managing preventative and predictive maintenance, tasks, equipment inventory, and emergency repairs in the field of industry and manufacturing, namely warehouse management, process manufacturing, power generation, oil and gas, energy delivery, metal and mining and vehicle fleets, healthcare, namely, hospitals, medical facilities, biomed facilities, senior living facilities and medical device manufacturing, facilities management, and government, namely, local, state and federal government facilities management; providing online, non-downloadable software for providing information, software implementation training, technical support, and troubleshooting services in the field of maintenance management software, namely, software for scheduling, tracking, and managing preventative and predictive maintenance, tasks, equipment inventory, and emergency repairs in the fields of industry and manufacturing, namely warehouse management, process manufacturing, power generation, oil and gas, energy delivery, metal and mining and vehicle fleets, healthcare, namely, hospitals, medical facilities, biomed facilities, senior living facilities and medical device manufacturing, facilities management, and government, namely, local, state and federal government facilities management; hosting maintenance management software for use by others; computer services, namely, integration of maintenance management software into computer systems and networks; computer software support services, namely, software implementation, technical support, and troubleshooting services in the field of maintenance management software, namely, software for scheduling, tracking, and managing preventative and predictive maintenance, tasks, equipment inventory, and emergency repairs in the fields of industry and manufacturing, namely warehouse management, process manufacturing, power generation, oil and gas, energy delivery, metal and mining and vehicle fleets, healthcare, namely, hospitals, medical facilities, biomed facilities, senior living facilities and medical device manufacturing, facilities management, and government, namely, local, state and federal government facilities management

**Claims**

Priority Filing Date: June 26, 2018, Country or Office: UNITED STATES OF AMERICA, Application No: 88015836 in association with the same kind of goods and in association with the same kind of services

**Application Number** 1,907,710  
**Language of Application** English

**Filing Date** 2018-07-04

## APPLICANT AND AGENT DETAILS

### Applicant

HEXO OPERATIONS INC.  
3000 Solandt  
Ottawa  
ONTARIO  
K2K2X2

### Agent

SMART & BIGGAR LLP  
SUITE 900, 55 METCALFE STREET, P.O.  
BOX 2999, STATION D, OTTAWA, ONTARIO,  
K1P5Y6

## TRADEMARK DETAILS

# NEWSTRIKE BRANDS

### Trademark Type

Word

### Services

#### Class 35

(1) Business administration and management; corporate image development consultation; business marketing consulting; business management consultancy as well as development of processes for the analysis and the implementation of strategy plans and management projects; advertising the goods and services of others; advertising services for promoting the brokerage of stocks and other securities for others

#### Class 36

(2) Capital investment services; financial services, namely, managing investment funds and raising capital for business investment from investors seeking investment opportunities

**Application Number** 1,907,711  
**Language of Application** English

**Filing Date** 2018-07-04

## APPLICANT AND AGENT DETAILS

### Applicant

HEXO OPERATIONS INC.  
3000 Solandt  
Ottawa  
ONTARIO  
K2K2X2

### Agent

SMART & BIGGAR LLP  
SUITE 900, 55 METCALFE STREET, P.O.  
BOX 2999, STATION D, OTTAWA, ONTARIO,  
K1P5Y6

## TRADEMARK DETAILS

### Trademark Type

Design

### Visual Representation



### Services

#### Class 35

(1) Business administration and management; corporate image development consultation; business marketing consulting; business management consultancy as well as development of processes for the analysis and the implementation of strategy plans and management projects; advertising the goods and services of others; advertising services for promoting the brokerage of stocks and other securities for others

#### Class 36

(2) Capital investment services; financial services, namely, managing investment funds and raising capital for business investment from investors seeking investment opportunities

**Application Number** 1,907,815  
**Language of Application** French

**Filing Date** 2018-07-05

## APPLICANT AND AGENT DETAILS

### Applicant

L'OREAL, Société anonyme  
14 rue Royale  
75008 Paris  
FRANCE

### Agent

FASKEN MARTINEAU DUMOULIN LLP  
800 rue Square-Victoria, BUREAU 3700, C.P.  
242, MONTREAL, QUÉBEC, H4Z1E9

## TRADEMARK DETAILS

# PHYTOSOLUTION

### Trademark Type

Word

### Goods

#### Class 03

Face care preparations; skin care preparations.

### Claims

Priority Filing Date: June 14, 2018, Country or Office: FRANCE, Application No: 4461427 in association with the same kind of goods

**Application Number** 1,907,849  
**Language of Application** English

**Filing Date** 2018-07-05

## APPLICANT AND AGENT DETAILS

**Applicant**  
PRODUCTOS MEDITERRANEO BELCHI  
SALAS, S.L.  
Calle Lope de Vega, 18, Bajo  
Murcia, 30140  
SPAIN

**Agent**  
CLAUDETTE DAGENAIS  
(DJB), 500 Boulevard Gouin E, Suite 302,  
Montréal, QUEBEC, H3L3R9

## TRADEMARK DETAILS

**Trademark Type**  
Design

### Visual Representation



### Goods

#### Class 29

Meat, fish, poultry meat and game meat; meat extracts; preserved, frozen, dried and cooked fruits and vegetables, namely prepared meals primarily consisting of cooked fruits and vegetables; jellies, preserves, namely fish preserves, fruit preserves, meat preserves, jams; eggs, milk and dairy products; edible oils and fats, vegetable pates.

### Services

#### Class 35

Business management, trade fairs, namely arranging and organizing trade fairs in the field of meat, fish, poultry meat and game meat, meat extracts, preserved, frozen, dried and cooked fruits and vegetables, jellies, preserves, jams, eggs, milk and dairy products, edible oils and fats, vegetable pates, import-export, wholesale, retail sale through global networks of: meat, fish, poultry meat and game meat, meat extracts, preserved, frozen, dried and cooked fruits and vegetables, jellies, preserves, jams, eggs, milk and dairy products, edible oils and fats, vegetable pates.



**Application Number** 1,907,957  
**Language of Application** French

**Filing Date** 2018-07-05

## **APPLICANT DETAILS**

### **Applicant**

Benjamin Leboeuf  
1530 Rue Beaubien E  
Montréal  
QUÉBEC  
H2G1L1

## **TRADEMARK DETAILS**

### **Trademark Type**

Design

### **Visual Representation**



### **Colour Claim**

Colour is claimed as a feature of the trademark. The word SPIN and the circle around the drawing of a person are green.

### **Services**

#### **Class 41**

Martial arts instruction; Taekwondo instruction; martial arts instruction services; sports trainer services.

**Application Number** 1,908,121  
**Language of Application** French

**Filing Date** 2018-07-06

## APPLICANT AND AGENT DETAILS

### Applicant

DIESEL S.P.A  
Via dell'Industria, 4/6  
I-36042 Breganze (VI)  
ITALIE

### Agent

FASKEN MARTINEAU DUMOULIN LLP  
800 rue Square-Victoria, BUREAU 3700, C.P.  
242, MONTREAL, QUÉBEC, H4Z1E9

## TRADEMARK DETAILS

### Trademark Type

Design

### Visual Representation



### Colour Claim

Colour is claimed as a feature of the trademark. The word DIESEL is grey, the words ONLY THE BRAVE are white, and the word STREET is orange. The background on which the elements of the mark are displayed is a gradient of grey.

### Goods

#### Class 03

Parfums; eau de toilette; eau de Cologne; déodorants à usage personnel; gels de bain et de douche parfumés; lotions, crèmes et gels parfumés pour les soins du corps; baume après-rasage, gel après-rasage, lotion après-rasage.

### Claims

Priority Filing Date: January 08, 2018, Country or Office: EUIPO (EU), Application No: 17669391 in association with the same kind of goods

**Application Number** 1,908,149  
**Language of Application** English

**Filing Date** 2018-07-06

## APPLICANT AND AGENT DETAILS

### Applicant

Tetraphase Pharmaceuticals, Inc.  
480 Arsenal Street  
Watertown, MA 02472  
UNITED STATES OF AMERICA

### Agent

OSLER, HOSKIN & HARCOURT LLP  
SUITE 6200, P.O. BOX 50, 1 FIRST  
CANADIAN PLACE, TORONTO, ONTARIO,  
M5X1B8

## TRADEMARK DETAILS

# XERAVA

### Trademark Type

Word

### Goods

#### Class 05

Pharmaceuticals, namely antibiotics indicated for the treatment of infections; the aforementioned not for the treatment of rheumatoid arthritis or psoriasis

### Claims

Priority Filing Date: February 02, 2018, Country or Office: UNITED STATES OF AMERICA,  
Application No: 87/782,461 in association with the same kind of goods

**Application Number** 1,908,815  
**Language of Application** English

**Filing Date** 2018-07-11

## APPLICANT AND AGENT DETAILS

### Applicant

OMW APP, LLC  
700 Van Ness Ave.  
Fresno, CA 93721  
UNITED STATES OF AMERICA

### Agent

SMART & BIGGAR LLP  
SUITE 900, 55 METCALFE STREET, P.O.  
BOX 2999, STATION D, OTTAWA, ONTARIO,  
K1P5Y6

## TRADEMARK DETAILS

### Trademark Type

Design

### Visual Representation



### Goods

#### Class 09

Downloadable mobile applications for processing electronic point-of-sale transactions

### Claims

Priority Filing Date: January 12, 2018, Country or Office: UNITED STATES OF AMERICA,  
Application No: 87/752,954 in association with the same kind of goods

**Application Number** 1,908,900  
**Language of Application** English

**Filing Date** 2018-07-11

## APPLICANT AND AGENT DETAILS

### Applicant

HEXO OPERATIONS INC.  
3000 Solandt  
Ottawa  
ONTARIO  
K2K2X2

### Agent

SMART & BIGGAR LLP  
SUITE 900, 55 METCALFE STREET, P.O.  
BOX 2999, STATION D, OTTAWA, ONTARIO,  
K1P5Y6

## TRADEMARK DETAILS

### Trademark Type

Design

### Visual Representation



### Goods

#### Class 01

(1) Cannabinoids for use in the manufacture of cosmetics, oils, dietary and nutritional supplements, food and beverages; plant extracts, namely, cannabidiol derived from hemp for use in the manufacture of cosmetics, soaps, oils, supplements, food and beverages

#### Class 03

(2) Non-medicated cosmetics and toiletry preparations, namely, shampoos, hair care preparations, body creams and lotions, body oils, and body deodorant, containing cannabinoids; non-medicated cosmetics and toiletry preparations, namely, shampoos, hair care preparations, body creams and lotions, body oils, and body deodorant, containing cannabidiol derived from hemp

#### Class 05

(3) Nutritional supplements for general health and well-being containing cannabinoids; nutritional supplements for general health and well-being containing cannabidiol derived from hemp; medicated cosmetics, medicated soaps, medicated oils, medicated supplements, medicated food and medicated beverages, namely, vitamin fruit jellies, granola bars, nutritional bars for boosting energy, cookies, muffins, brownies, potato chips, cereal-based snack food, popcorn, vitamin preparations in the form of meal replacement drinks and powders, electrolyte drinks for medical purposes, all containing cannabinoids and all for general health and well-being; medicated cosmetics, medicated soaps, medicated oils, medicated supplements, medicated food and medicated beverages, namely, vitamin fruit jellies, granola bars, nutritional bars for boosting energy, cookies, muffins, brownies, potato chips, cereal-based snack food, popcorn, vitamin preparations in the form of meal replacement drinks and powders, electrolyte drinks for medical purposes, all containing cannabidiol derived from hemp and all for general health and well-being; cannabis and hemp extracts for medical use

#### Class 09

(4) weighing scales for the preparation of cannabis

#### **Class 21**

(5) pill bottles for the storage of cannabis

#### **Class 29**

(6) processed nuts, namely, peanut butter, almond butter, cashew butter, processed edible seeds, namely, prepared sunflower seeds, sunflower seed butter, sesame seed butter, dried fruit, cheese, dried vegetables, fruit-based snack food, edible oils, all containing cannabis and cannabis derivatives, namely, cannabinoids; processed nuts, namely, peanut butter, almond butter, cashew butter, processed edible seeds, namely, prepared sunflower seeds, sunflower seed butter, sesame seed butter, dried fruit, cheese, dried vegetables, fruit-based snack food, edible oils, all containing cannabidiol derived from hemp

#### **Class 30**

(7) candy, cereal bars, energy bars, biscuits, pastries and confectionery, namely, sugar confectionery, fruitbased confectionery, peanut confectionery, toffee, caramels, ice cream and sorbets, pretzels and popcorn, all containing cannabis and cannabis derivatives, namely, cannabinoids; candy, cereal bars, energy bars, biscuits, pastries and confectionery, namely, sugar confectionery, fruit-based confectionery, peanut confectionery, toffee, caramels, ice cream and sorbets, pretzels and popcorn, all containing cannabidiol derived from hemp; tea, coffee, ready to drink tea based beverages, ready to drink coffee based beverages, all containing cannabis and cannabis derivatives, namely cannabinoids; tea, coffee, ready to drink tea based beverages, ready to drink coffee based beverages, all containing cannabidiol derived from hemp

#### **Class 31**

(8) live cannabis plants, cannabis seeds, fresh cannabis; live hemp plants, hemp seeds

#### **Class 32**

(9) Non-alcoholic beverages containing cannabinoids, namely, mineral and aerated waters, fruit beverages and fruit juices, energy drinks, non-alcoholic beers, soft drinks; non-alcoholic beverages containing cannabidiol derived from hemp, namely, mineral and aerated waters, fruit beverages and fruit juices, energy drinks, non-alcoholic beers, soft drinks

#### **Class 34**

(10) Cannabis accessories for the preparation, use and storage of cannabis, namely, water pipes, vaporizers, bongs, bowls, hookah, rolling papers, blunts, roach clips, lighters, torches, ashtrays, grinders; smokers' articles, namely, smoking pipes, pouches for use with cannabis, lighters for smokers; smokers' articles, namely, oral vaporizers for smokers; cannabis and marijuana for recreational use; derivatives of cannabis, namely, oils for recreational use; hemp derivatives, namely, oils for recreational use; dried cannabis

#### **Services**

#### **Class 35**

(1) Retail, online and wholesale sale in the fields of hemp, hemp derivatives, recreational and medical cannabis, recreational and medical marijuana, cannabis derivative products, cannabis infused products, namely, food, beverages, skin care products, pharmaceutical products, natural health products, and cannabis accessories; advisory services relating to development, management and operation of businesses in the healthcare industry, the medical marijuana and cannabis industry, the marijuana and cannabis industry and high-technology industry; providing online directory information services relating to medical cannabis, medical marijuana and related,

infused and derivative products and hemp, hemp derivatives and products containing hemp and hemp derivatives; organization, management and administration of customer and patient loyalty services; import and export of marijuana and cannabis and their related and derivative products to Government approved sources in other countries

**Class 40**

(2) Production and processing of marijuana and cannabis

**Class 42**

(3) providing information on research related to medical marijuana and medical cannabis via a website; hosting a website that allows users to rate, review and make recommendations on recreational cannabis, medical marijuana and medical cannabis products and cannabis infused, related and derivative products, hemp and hemp derivatives and products containing hemp and hemp derivatives via a website; Scientific research and development in the field of hemp, hemp derivatives, medical marijuana, medical cannabis, marijuana, cannabis, their related products and derivatives for the development of therapeutics, and to target specific symptoms, diseases, illnesses and disorders; Development services of marijuana and cannabis products; Research and development in the field of cannabis

**Class 44**

(4) Operation of a medical and recreational cannabis dispensary; providing information on medical marijuana and medical cannabis, their related strains, cannabis infused products, related products and derivative products, hemp, hemp derivatives and products containing hemp and hemp derivatives via a website; providing information regarding indications and effects of particular cannabis strain via a website; consulting services including in the fields of medical use of marijuana, cannabis and their derivatives and hemp and hemp derivatives; cultivating, breeding, and growing of marijuana and cannabis

**Application Number** 1,908,901  
**Language of Application** English

**Filing Date** 2018-07-11

## APPLICANT AND AGENT DETAILS

### Applicant

HEXO OPERATIONS INC.  
3000 Solandt  
Ottawa  
ONTARIO  
K2K2X2

### Agent

SMART & BIGGAR LLP  
SUITE 900, 55 METCALFE STREET, P.O.  
BOX 2999, STATION D, OTTAWA, ONTARIO,  
K1P5Y6

## TRADEMARK DETAILS

### Trademark Type

Design

### Visual Representation

### Goods

#### Class 01

(1) Cannabinoids for use in the manufacture of cosmetics, oils, dietary and nutritional supplements, food and beverages; plant extracts, namely, cannabidiol derived from hemp for use in the manufacture of cosmetics, soaps, oils, supplements, food and beverages

#### Class 03

(2) Non-medicated cosmetics and toiletry preparations, namely, shampoos, hair care preparations, body creams and lotions, body oils, and body deodorant, containing cannabinoids; non-medicated cosmetics and toiletry preparations, namely, shampoos, hair care preparations, body creams and lotions, body oils, and body deodorant, containing cannabidiol derived from hemp

#### Class 05

(3) Nutritional supplements for general health and well-being containing cannabinoids; nutritional supplements for general health and well-being containing cannabidiol derived from hemp; medicated cosmetics, medicated soaps, medicated oils, medicated supplements, medicated food and medicated beverages, namely, vitamin fruit jellies, granola bars, nutritional bars for boosting energy, cookies, muffins, brownies, potato chips, cereal-based snack food, popcorn, vitamin preparations in the form of meal replacement drinks and powders, electrolyte drinks for medical purposes, all containing cannabinoids and all for general health and well-being; medicated cosmetics, medicated soaps, medicated oils, medicated supplements, medicated food and



medicated beverages, namely, vitamin fruit jellies, granola bars, nutritional bars for boosting energy, cookies, muffins, brownies, potato chips, cereal-based snack food, popcorn, vitamin preparations in the form of meal replacement drinks and powders, electrolyte drinks for medical purposes, all containing cannabidiol derived from hemp and all for general health and well-being; cannabis and hemp extracts for medical use

**Class 09**

(4) weighing scales for the preparation of cannabis

**Class 21**

(5) pill bottles for the storage of cannabis

**Class 29**

(6) processed nuts, namely, peanut butter, almond butter, cashew butter, processed edible seeds, namely, prepared sunflower seeds, sunflower seed butter, sesame seed butter, dried fruit, cheese, dried vegetables, fruit-based snack food, edible oils, all containing cannabis and cannabis derivatives, namely, cannabinoids; processed nuts, namely, peanut butter, almond butter, cashew butter, processed edible seeds, namely, prepared sunflower seeds, sunflower seed butter, sesame seed butter, dried fruit, cheese, dried vegetables, fruit-based snack food, edible oils, all containing cannabidiol derived from hemp

**Class 30**

(7) candy, cereal bars, energy bars, biscuits, pastries and confectionery, namely, sugar confectionery, fruit-based confectionery, peanut confectionery, toffee, caramels, ice cream and sorbets, pretzels and popcorn, all containing cannabis and cannabis derivatives, namely, cannabinoids; candy, cereal bars, energy bars, biscuits, pastries and confectionery, namely, sugar confectionery, fruit-based confectionery, peanut confectionery, toffee, caramels, ice cream and sorbets, pretzels and popcorn, all containing cannabidiol derived from hemp; tea, coffee, ready to drink tea based beverages, ready to drink coffee based beverages, all containing cannabis and cannabis derivatives, namely cannabinoids; tea, coffee, ready to drink tea based beverages, ready to drink coffee based beverages, all containing cannabidiol derived from hemp

**Class 31**

(8) live cannabis plants, cannabis seeds, fresh cannabis; live hemp plants, hemp seeds

**Class 32**

(9) Non-alcoholic beverages containing cannabinoids, namely, mineral and aerated waters, fruit beverages and fruit juices, energy drinks, non-alcoholic beers, soft drinks; non-alcoholic beverages containing cannabidiol derived from hemp, namely, mineral and aerated waters, fruit beverages and fruit juices, energy drinks, non-alcoholic beers, soft drinks

**Class 34**

(10) Cannabis accessories for the preparation, use and storage of cannabis, namely, water pipes, vaporizers, bong, bowls, hookah, rolling papers, blunts, roach clips, lighters, torches, ashtrays, grinders; smokers' articles, namely, smoking pipes, pouches for use with cannabis, lighters for smokers; smokers' articles, namely, oral vaporizers for smokers; cannabis and marijuana for recreational use; derivatives of cannabis, namely, oils for recreational use; hemp derivatives, namely, oils for recreational use; dried cannabis

**Services****Class 35**

(1) Retail, online and wholesale sale in the fields of hemp, hemp derivatives, recreational and medical cannabis, recreational and medical marijuana, cannabis derivative products, cannabis infused products, namely, food, beverages, skin care products, pharmaceutical products, natural health products, and cannabis accessories; advisory services relating to development, management and operation of businesses in the healthcare industry, the medical marijuana and cannabis industry, the marijuana and cannabis industry and high-technology industry; providing online directory information services relating to medical cannabis, medical marijuana and related, infused and derivative products and hemp, hemp derivatives and products containing hemp and hemp derivatives; organization, management and administration of customer and patient loyalty services; import and export of marijuana and cannabis and their related and derivative products to Government approved sources in other countries

**Class 40**

(2) Production and processing of marijuana and cannabis

**Class 42**

(3) providing information on research related to medical marijuana and medical cannabis via a website; hosting a website that allows users to rate, review and make recommendations on recreational cannabis, medical marijuana and medical cannabis products and cannabis infused, related and derivative products, hemp and hemp derivatives and products containing hemp and hemp derivatives via a website; Scientific research and development in the field of hemp, hemp derivatives, medical marijuana, medical cannabis, marijuana, cannabis, their related products and derivatives for the development of therapeutics, and to target specific symptoms, diseases, illnesses and disorders; Development services of marijuana and cannabis products; Research and development in the field of cannabis

**Class 44**

(4) Operation of a medical and recreational cannabis dispensary; providing information on medical marijuana and medical cannabis, their related strains, cannabis infused products, related products and derivative products, hemp, hemp derivatives and products containing hemp and hemp derivatives via a website; providing information regarding indications and effects of particular cannabis strain via a website; consulting services including in the fields of medical use of marijuana, cannabis and their derivatives and hemp and hemp derivatives; cultivating, breeding, and growing of marijuana and cannabis

**Application Number** 1,908,975  
**Language of Application** English

**Filing Date** 2018-07-11

## APPLICANT AND AGENT DETAILS

### Applicant

Just One LLC  
1410 Broadway  
3rd Floor  
New York, NY 10018  
UNITED STATES OF AMERICA

### Agent

NADINE D'AGUIAR  
43 Front Street East, Suite 400, Toronto,  
ONTARIO, M5E1B3

## TRADEMARK DETAILS

# CAI COSMETICS

### Trademark Type

Word

### Goods

#### Class 03

(1) blush; body lotion; body scrub; body wash; cleansing creams, namely, skin cleansing creams, facial cleansing milk and facial cleansing grains; mascara; eye shadow; eye liner; foundation, namely foundation make-up, creamy foundation and liquid foundation; hair gel; hair spray; hair wax; lip gloss; lipstick; nail gel; nail polish; nail polish remover; perfumes; tanning creams; facial concealer; facial moisturizer; false nails; gel eye masks; hair conditioners; hair shampoo; make-up primer; non-medicated foot cream; oils for perfumes and scents

(2) cosmetics; disposable wipes impregnated with cleansing compounds for use on the face; eye cream; face cream; false eyelashes; lip cream; makeup; pre-moistened cosmetic wipes

(3) makeup setting sprays

#### Class 08

(4) eyelash curlers; tweezers

#### Class 21

(5) make-up brushes; make-up sponges

**Application Number** 1,909,054  
**Language of Application** English

**Filing Date** 2018-07-12

## APPLICANT AND AGENT DETAILS

### Applicant

Jeunesse Global Holdings, LLC  
701 International Parkway  
Lake Mary, FL 32746  
UNITED STATES OF AMERICA

### Agent

MILLER THOMSON LLP  
SCOTIA PLAZA, 40 KING STREET WEST,  
SUITE 5800, P.O. BOX 1011, TORONTO,  
ONTARIO, M5H3S1

## TRADEMARK DETAILS

### Trademark Type

Design

### Visual Representation

**REVITABLŪ**

### Goods

#### Class 05

Botanical powders for making nutritional supplement drinks for general health and well-being; powdered nutritional supplement drink mix containing sea buckthorn berry, algae, and aloe vera.

### Claims

Priority Filing Date: March 21, 2018, Country or Office: UNITED STATES OF AMERICA,  
Application No: 87/843,554 in association with the same kind of goods

**Application Number** 1,909,057  
**Language of Application** English

**Filing Date** 2018-07-12

## APPLICANT AND AGENT DETAILS

### Applicant

Jeunesse Global Holdings, LLC  
701 International Parkway  
Lake Mary, FL 32746  
UNITED STATES OF AMERICA

### Agent

MILLER THOMSON LLP  
SCOTIA PLAZA, 40 KING STREET WEST,  
SUITE 5800, P.O. BOX 1011, TORONTO,  
ONTARIO, M5H3S1

## TRADEMARK DETAILS

### Trademark Type

Design

### Visual Representation

R E V I T A  
**BLU**

### Goods

#### Class 05

Botanical powders for making nutritional supplement drinks for general health and well-being; powdered nutritional supplement drink mix containing sea buckthorn berry, algae, and aloe vera.

### Claims

Priority Filing Date: March 21, 2018, Country or Office: UNITED STATES OF AMERICA,  
Application No: 87/843,590 in association with the same kind of goods

**Application Number** 1,909,325  
**Language of Application** English

**Filing Date** 2018-07-13

## APPLICANT AND AGENT DETAILS

### Applicant

Pour Judgement Games Inc.  
7402 Kidston Road  
Coldstream  
BRITISH COLUMBIA  
V1B1R8

### Agent

PUSHOR MITCHELL LLP  
301 - 1665 ELLIS STREET, KELOWNA,  
BRITISH COLUMBIA, V1Y2B3

## TRADEMARK DETAILS

### Trademark Type

Design

### Visual Representation



### Goods

#### Class 21

(1) Beer mugs; shot glasses

#### Class 28

(2) Card games; game cards

**Application Number** 1,909,334  
**Language of Application** English

**Filing Date** 2018-07-13

## APPLICANT AND AGENT DETAILS

### Applicant

WW International, Inc.  
675 Avenue of the Americas  
6th Floor  
New York, NY 10010  
UNITED STATES OF AMERICA

### Agent

OSLER, HOSKIN & HARCOURT LLP  
SUITE 6200, P.O. BOX 50, 1 FIRST  
CANADIAN PLACE, TORONTO, ONTARIO,  
M5X1B8

## TRADEMARK DETAILS

### Trademark Type

Design

### Visual Representation



## Goods

### Class 29

(1) Frozen and prepared chilled meals consisting primarily of meat, fish, poultry and vegetables; frozen vegetables; cheese; cheese spreads; soups; yogurt; eggs and egg whites; margarine; jelly and jam.

### Class 30

(2) Frozen and prepared chilled meals consisting primarily of pasta and rice; bakery products, namely brownies, snack cakes, cookies, and muffins; bread and buns; bagels; rolls; cereal-based snack bars; chocolate candies; candy bars; flour-based chips; pretzels; baked multigrain chips; popcorn; oatmeal; frozen confections; ice cream; salad dressings; ready to eat cereal; custard; quiche.

### Class 32

(3) Non-alcoholic water-based beverages namely bottled drinking water and fruit juices.

**Application Number** 1,909,386  
**Language of Application** English

**Filing Date** 2018-07-13

## APPLICANT AND AGENT DETAILS

### Applicant

Ice Age Water Oy  
Viikinäistentie 203  
FI-19210 Lusi  
FINLAND

### Agent

NORTON ROSE FULBRIGHT CANADA LLP/S.  
E.N.C.R.L.,S.R.L.  
1, Place Ville Marie, Suite 2500, Montreal,  
QUEBEC, H3B1R1

## TRADEMARK DETAILS

# VELLAMO

### Trademark Type

Standard Characters

### Goods

#### Class 32

Mineral water; aerated water; non-alcoholic beverages, namely flavoured waters, bottled waters, spring waters.



**Application Number** 1,909,535  
**Language of Application** English

**Filing Date** 2018-07-16

## APPLICANT AND AGENT DETAILS

### Applicant

LiveOps, Inc.  
1365 N. Scottsdale Road, Suite 390  
Scottsdale, AZ 85257  
UNITED STATES OF AMERICA

### Agent

BERESKIN & PARR LLP/S.E.N.C.R.L., S.R.L.  
SCOTIA PLAZA, 40 KING STREET WEST,  
40th FLOOR, TORONTO, ONTARIO, M5H3Y2

## TRADEMARK DETAILS

# LIVEOPS NATION

### Trademark Type

Standard Characters

### Services

#### Class 42

(1) Computer services, namely, creating an on-line community for registered users to participate in discussions, get feedback from their peers, form virtual communities, and engage in social networking services in the field of customer service and call centre services.

#### Class 45

(2) Internet-based social networking services.

### Claims

Priority Filing Date: February 06, 2018, Country or Office: UNITED STATES OF AMERICA,  
Application No: 87/786953 in association with the same kind of services

**Application Number** 1,909,605  
**Language of Application** French

**Filing Date** 2018-07-16

## APPLICANT AND AGENT DETAILS

### Applicant

L'OREAL, Société anonyme  
14 rue Royale  
75008 Paris  
FRANCE

### Agent

FASKEN MARTINEAU DUMOULIN LLP  
800 rue Square-Victoria, BUREAU 3700, C.P.  
242, MONTREAL, QUÉBEC, H4Z1E9

## TRADEMARK DETAILS

# BONBON PASTEL

### Trademark Type

Word

### Goods

Class 03

Perfumes.

**Application Number** 1,909,755  
**Language of Application** English

**Filing Date** 2018-07-16

## APPLICANT AND AGENT DETAILS

### Applicant

LIAN FA INTERNATIONAL DINING  
BUSINESS CORPORATION  
No.7, LN. 50, Sec. 3, Nangang Rd.  
Nangang Dist.  
P.O. Box 11510  
Taipei City  
TAIWAN

### Agent

NEXUS LAW GROUP LLP  
777 Hornby Street, Suite 2000, Vancouver,  
BRITISH COLUMBIA, V6Z1S4

## TRADEMARK DETAILS

### Trademark Type

Design

### Visual Representation



### Services

#### Class 43

Hot and cold beverage stores, cafes, coffee shops, fast food and non-stop restaurant services, fast-food restaurants, snack bars, restaurants, tea bars, take-out restaurant services, juice bar services, bar services, restaurant featuring home delivery, snack bars, mobile restaurant services, mobile coffee vans.

**Application Number** 1,909,756  
**Language of Application** English

**Filing Date** 2018-07-16

## APPLICANT AND AGENT DETAILS

### Applicant

LIAN FA INTERNATIONAL DINING  
BUSINESS CORPORATION  
No.7, Ln. 50, Sec.3, Nangang Rd., Nangang  
Dist  
P.O. Box 11510  
Taipei  
TAIWAN

### Agent

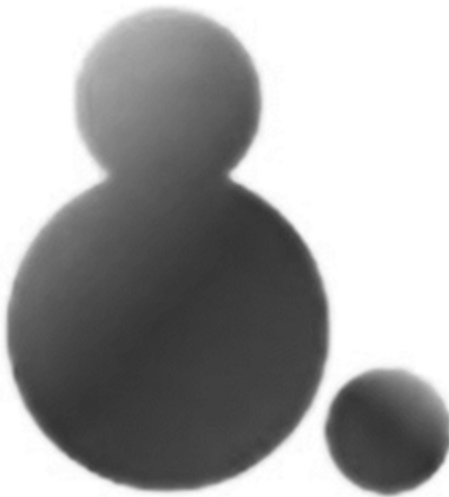
NEXUS LAW GROUP LLP  
777 Hornby Street, Suite 2000, Vancouver,  
BRITISH COLUMBIA, V6Z1S4

## TRADEMARK DETAILS

### Trademark Type

Design

### Visual Representation



### Services

#### Class 43

Hot and cold beverage stores, cafes, coffee shops, fast food and non-stop restaurant services, fast-food restaurants, snack bars, restaurants, tea bars, take-out restaurant services, juice bar services, bar services, restaurant featuring home delivery, snack bars, mobile restaurant services, mobile coffee vans.

**Application Number** 1,909,757  
**Language of Application** English

**Filing Date** 2018-07-16

## APPLICANT AND AGENT DETAILS

### Applicant

LIAN FA INTERNATIONAL DINING  
BUSINESS CORPORATION  
NO.7, LN. 50, SEC. 3, NANGANG RD.  
NANGANG DIST  
P.O. Box 11510  
Taipei  
TAIWAN

### Agent

NEXUS LAW GROUP LLP  
777 Hornby Street, Suite 2000, Vancouver,  
BRITISH COLUMBIA, V6Z1S4

## TRADEMARK DETAILS

### Trademark Type

Design

### Visual Representation



### Services

#### Class 43

Hot and cold beverage stores, cafes, coffee shops, fast food and non-stop restaurant services, fast-food restaurants, snack bars, restaurants, tea bars, take-out restaurant services, juice bar services, bar services, restaurant featuring home delivery, snack bars, mobile restaurant services, mobile coffee vans.

**Application Number** 1,909,911  
**Language of Application** English

**Filing Date** 2018-07-17

## APPLICANT AND AGENT DETAILS

### Applicant

PLASTIXX FFS TECHNOLOGIES INC.  
/TECHNOLOGIES PLASTIXX FFS INC  
3100, rue des Bâisseurs  
Terrebonne  
QUEBEC  
J6Y0A2

### Agent

ROBIC  
630, boul. René-Lévesque Ouest, 20e étage,  
Montréal, QUEBEC, H3B1S6

## TRADEMARK DETAILS

# XVALVE+

### Trademark Type

Word

### Goods

#### Class 16

Plastic packaging, namely a block-bottom valve bag with an integrated vent channel for packaging fine powders, granular products, cementitious and building materials, resin, and animal feed;

**Application Number** 1,910,349  
**Language of Application** French

**Filing Date** 2018-07-19

## **APPLICANT AND AGENT DETAILS**

### **Applicant**

L'OREAL, Société anonyme  
14 rue Royale  
75008 Paris  
FRANCE

### **Agent**

FASKEN MARTINEAU DUMOULIN LLP  
800 rue Square-Victoria, BUREAU 3700, C.P.  
242, MONTREAL, QUÉBEC, H4Z1E9

## **TRADEMARK DETAILS**

### **Trademark Type**

Design

### **Visual Representation**

**UV EXPERT**

**AQUAGEL  
DEFENSE 50**

### **Goods**

#### **Class 03**

Cosmetic skin care preparations.

**Application Number** 1,910,705  
**Language of Application** English

**Filing Date** 2018-07-20

## APPLICANT AND AGENT DETAILS

### Applicant

NOVO NORDISK A/S  
Novo Allé  
2880 Bagsvaerd  
DENMARK

### Agent

SMART & BIGGAR LLP  
1100-150 York street, TORONTO, ONTARIO,  
M5H3S5

## TRADEMARK DETAILS

# OZEMPICARE

### Trademark Type

Word

### Services

#### Class 41

(1) Educational services, namely developing education manuals and online coaching for the treatment of diabetes

#### Class 44

(2) Medical information services for the treatment of diabetes

### Claims

Priority Filing Date: February 09, 2018, Country or Office: DENMARK, Application No: VA 2018 00314 in association with the same kind of services



**Application Number** 1,910,726  
**Language of Application** English

**Filing Date** 2018-07-20

## APPLICANT AND AGENT DETAILS

### Applicant

RIEKER HOLDING AG  
Stockwiesenstrasse 1  
8240 Thayngen  
SWITZERLAND

### Agent

SMART & BIGGAR LLP  
SUITE 900, 55 METCALFE STREET, P.O.  
BOX 2999, STATION D, OTTAWA, ONTARIO,  
K1P5Y6

## TRADEMARK DETAILS

### Trademark Type

Design

### Visual Representation



### Goods

#### Class 18

(1) Leather and imitations of leather; bags, namely, all-purpose carrying bags, wrist bags, gripsacks, shoulder bags, shopping bags, backpacks, bucket bags, traveling bags, shoe bags for travel, sport bags; handbags.

#### Class 25

(2) Clothing, namely, shirts, t-shirts, pullovers, sweaters, jackets, coats, pants, socks and hosiery, shoes, footwear, namely, boots, Chelsea boots, ankle boots, headgear, namely, hats, caps, bandanas, headscarves, waist belts.

### Claims

Priority Filing Date: April 23, 2018, Country or Office: SWITZERLAND, Application No: 72299/2018 in association with the same kind of goods

**Application Number** 1,911,000  
**Language of Application** French

**Filing Date** 2018-07-23

## APPLICANT AND AGENT DETAILS

### Applicant

MTY Franchising Inc.  
8150, route Transcanadienne Suite 200  
Ville St-Laurent  
QUÉBEC  
H4S1M5

### Agent

JANYLAINE LACASSE  
(Groupe MTY Inc.), 8150, Autoroute  
Transcanadienne, suite 200, Ville St-Laurent,  
QUÉBEC, H4S1M5

## TRADEMARK DETAILS

### Trademark Type

Design

### Visual Representation



# JUGO JUICE

### Goods

#### Class 30

(1) Sandwiches.

#### Class 32

(2) Smoothies.

### Services

#### Class 43

Fruit juice bars; restaurant services offering take-out meals.

**Application Number** 1,911,867  
**Language of Application** English

**Filing Date** 2018-07-26

## APPLICANT AND AGENT DETAILS

### Applicant

Slimline Manufacturing (2016) Ltd.  
559 Okanagan Ave E  
Penticton  
BRITISH COLUMBIA  
V2A3K4

### Agent

MLT AIKINS LLP  
2100 Livingston Place, 222-3rd Avenue SW,  
Calgary, ALBERTA, T2P0B4

## TRADEMARK DETAILS

### Trademark Type

Design

### Visual Representation

**ECO MISTER**  
EVAPORATOR

### Goods

#### Class 11

Wastewater evaporators; and replacement parts and accessories for wastewater evaporators

### Services

#### Class 35

Retail sale of wastewater evaporators and replacement parts and accessories for wastewater evaporators; and wholesale sales of wastewater evaporators and replacement parts and accessories for wastewater evaporators

**Application Number** 1,912,085  
**Language of Application** English

**Filing Date** 2018-07-27

## **APPLICANT AND AGENT DETAILS**

### **Applicant**

CARAPELLI FIRENZE, S.P.A.  
Via Leonardo Da Vinci, 31 Località Sambuca  
50028 Tavarnelle Val Di Pesa  
Firenze  
ITALY

### **Agent**

PETER F. KAPPEL  
(BLANEY MCMURTRY LLP), 2 QUEEN  
STREET EAST, SUITE 1500, TORONTO,  
ONTARIO, M5C3G5

## **TRADEMARK DETAILS**

# **IL CENTENARIO**

### **Trademark Type**

Word

### **Foreign Character Translation**

The translation provided by the applicant of the words IL CENTENARIO is THE CENTENARY.

### **Goods**

#### **Class 29**

Edible oils and fats.

**Application Number** 1,912,105  
**Language of Application** French

**Filing Date** 2018-07-27

## APPLICANT AND AGENT DETAILS

### Applicant

L'OREAL, Société anonyme  
14 rue Royale  
75008 Paris  
FRANCE

### Agent

FASKEN MARTINEAU DUMOULIN LLP  
800 rue Square-Victoria, BUREAU 3700, C.P.  
242, MONTREAL, QUÉBEC, H4Z1E9

## TRADEMARK DETAILS

# DREAM URBAN COVER

### Trademark Type

Word

### Goods

#### Class 03

Maquillage.

### Claims

Priority Filing Date: June 26, 2018, Country or Office: FRANCE, Application No: 4464594 in association with the same kind of goods

**Application Number** 1,912,704  
**Language of Application** English

**Filing Date** 2018-08-01

## APPLICANT AND AGENT DETAILS

### Applicant

Shenzhen Weimeijuguang Technology Co., Ltd.  
Rm 832, F/8, Minzhi Business Center  
Crossing of Minzhi Ave. and Minwang Rd., Minzhi

### Agent

MILTONS IP/P.I.  
15 Fitzgerald Rd, Suite 200, Ottawa,  
ONTARIO, K2H 9G1 Dist. Shenzhen CHINA

## TRADEMARK DETAILS

### Trademark Type

Design

### Visual Representation



### Goods

#### Class 09

Protective films adapted for smartphones; covers for tablet computers; covers for personal digital assistants [PDAs]; protective films adapted for computer screens; cases for smartphones; electrical plugs and sockets; electric transformers; electric wires and connection fittings therefor; sunglasses; Rechargeable all-purpose electric batteries; Bags adapted for laptops; Electronic weighing scales for personal use; navigation apparatus for vehicles in the form of on-board computers; headsets; Car video recorders; Headphones; virtual reality headsets; Life-saving rafts; Life buoys; 3D spectacles

**Application Number** 1,912,801  
**Language of Application** English

**Filing Date** 2018-08-01

## APPLICANT AND AGENT DETAILS

### Applicant

BODEGAS FAUSTINO, S.L.  
Ctra. de Logroño  
s/n - 01320 Oyón (Álava)  
SPAIN

### Agent

PAULA CLANCY  
(CLANCY PROFESSIONAL CORPORATION),  
28 Deakin Street, Suite 201, Ottawa,  
ONTARIO, K2E8B7

## TRADEMARK DETAILS

### Trademark Type

Design

### Visual Representation



### Goods

Class 33

wines

**Application Number** 1,912,803  
**Language of Application** English

**Filing Date** 2018-08-01

## APPLICANT AND AGENT DETAILS

### Applicant

James B. Dehner  
8645 Meadowlark Circle  
Littleton, CO 80126  
UNITED STATES OF AMERICA

### Agent

WILSON LUE LLP  
250 University Avenue, 5th Floor, Toronto,  
ONTARIO, M5H3E5

## TRADEMARK DETAILS

# BENCHSENTRY

### Trademark Type

Word

### Goods

#### Class 09

Security device, namely, a combination cabinet and bench with integrated video camera and mobile application for security and video surveillance

### Claims

Priority Filing Date: March 05, 2018, Country or Office: UNITED STATES OF AMERICA,  
Application No: 87820543 in association with the same kind of goods



**Application Number** 1,912,874  
**Language of Application** English

**Filing Date** 2018-08-01

## APPLICANT AND AGENT DETAILS

### Applicant

Hope and Healing International  
3844 Stouffville Road  
Stouffville  
ONTARIO  
L4A7Z9

### Agent

MILLER THOMSON LLP  
SCOTIA PLAZA, 40 KING STREET WEST,  
SUITE 5800, P.O. BOX 1011, TORONTO,  
ONTARIO, M5H3S1

## TRADEMARK DETAILS

# HEALINGHUGS

### Trademark Type

Word

### Goods

#### Class 28

Stuffed toys.

### Services

#### Class 36

(1) Charitable fund-raising.

#### Class 43

(2) Providing inclusive emergency relief in disaster areas in low and middle income countries namely, providing emergency shelter services in the form of providing temporary housing and meals to needy persons for charitable purposes.

#### Class 44

(3) Therapeutic services for children namely, chiropractics, deep tissue massage, dietary and nutritional guidance, holistic massage therapy services, music therapy services, optometric services, osteopathy services, occupational therapy, rehabilitation services, psychotherapy services, physical therapy, speech and hearing therapy services; Charitable services, namely, providing health care services in the nature of prevention programs, medical treatment, and rehabilitation services to individuals with disabilities or at risk of disability in low and middle income countries; Providing inclusive emergency relief in disaster areas in low and middle income countries namely, providing health risk assessments, emergency medical assistance, mobile medical clinic services, nursing care, and pediatric nursing services, general surgery, gynecology and obstetric surgery, neurological surgery, ophthalmic surgery, oral and maxillofacial surgery, orthopaedic surgery, otorhinolaryngology, pediatric surgery, plastic and maxillofacial surgery.

#### Class 45

(4) Providing inclusive emergency relief in disaster areas in low and middle income countries namely, providing clothing for charitable purposes.

**Application Number** 1,912,880  
**Language of Application** English

**Filing Date** 2018-08-01

## APPLICANT AND AGENT DETAILS

### Applicant

Hope and Healing International  
3844 Stouffville Road  
Stouffville  
ONTARIO  
L4A7Z9

### Agent

MILLER THOMSON LLP  
SCOTIA PLAZA, 40 KING STREET WEST,  
SUITE 5800, P.O. BOX 1011, TORONTO,  
ONTARIO, M5H3S1

## TRADEMARK DETAILS

### Trademark Type

Design

### Visual Representation

healing**hugs**

### Goods

#### Class 28

Stuffed toys.

### Services

#### Class 36

(1) Charitable fund-raising.

#### Class 43

(2) Providing inclusive emergency relief in disaster areas in low and middle income countries namely, providing emergency shelter services in the form of providing temporary housing and meals to needy persons for charitable purposes.

#### Class 44

(3) Therapeutic services for children namely, chiropractics, deep tissue massage, dietary and nutritional guidance, holistic massage therapy services, music therapy services, optometric services, osteopathy services, occupational therapy, rehabilitation services, psychotherapy services, physical therapy, speech and hearing therapy services; Charitable services, namely, providing health care services in the nature of prevention programs, medical treatment, and rehabilitation services to individuals with disabilities or at risk of disability in low and middle income countries; Providing inclusive emergency relief in disaster areas in low and middle income countries namely, providing health risk assessments, emergency medical assistance, mobile medical clinic services, nursing care, and pediatric nursing services, general surgery, gynecology and obstetric surgery, neurological surgery, ophthalmic surgery, oral and maxillofacial surgery, orthopaedic surgery, otorhinolaryngology, pediatric surgery, plastic and maxillofacial surgery.

#### Class 45

(4) Providing inclusive emergency relief in disaster areas in low and middle income countries namely, providing clothing for charitable purposes.

**Application Number** 1,913,360  
**Language of Application** English

**Filing Date** 2018-08-03

## APPLICANT AND AGENT DETAILS

### Applicant

The Libman Company  
220 N. Sheldon  
Arcola, IL 61910  
UNITED STATES OF AMERICA

### Agent

SMART & BIGGAR LLP  
1100-150 York street, TORONTO, ONTARIO,  
M5H3S5

## TRADEMARK DETAILS

### Trademark Type

Position

### Visual Representation



### Trademark Description

The trademark consists of a design applied to the surface of the three-dimensional mop handle as shown in the visual representation. The mop shown in dashed lines does not form part of the trademark but is included merely to show the positioning of the design.

### Colour Claim

Colour is claimed as a feature of the trademark. The handle is green.

### Goods

#### Class 21

brooms; mops

**Application Number** 1,913,368  
**Language of Application** English

**Filing Date** 2018-08-03

## APPLICANT AND AGENT DETAILS

### Applicant

Ada Support Inc.  
206-174 Spadina Ave  
Toronto  
ONTARIO  
M5T2C2

### Agent

LABARGE WEINSTEIN LLP  
515 Legget Drive, Suite 800, Ottawa,  
ONTARIO, K2K3G4

## TRADEMARK DETAILS

# LEADER IN ACX

### Trademark Type

Word

### Goods

#### Class 09

Downloadable electronic publications in the field of customer service automation and artificial intelligence automated digital assistant (chatbot) technologies; computer software to automate customer service.

### Services

#### Class 35

(1) Business consulting, namely services relating to the development and use of customer service automation software and artificial intelligence automated digital assistants (chatbots).

#### Class 41

(2) Non-downloadable electronic publications in the field of customer service automation; educational services, namely, conducting conferences and online courses in the field of customer service automation.

#### Class 42

(3) Software as a service for automating customer conversations across digital channels, namely website, mobile applications, social media and email, through the use of an artificial intelligence automated digital assistants (chatbot) to answer questions and provide recommendations to users; computer software consulting, namely providing services to develop and use customer service automation software and artificial intelligence automated digital assistants (chatbots).

**Application Number** 1,913,369  
**Language of Application** English

**Filing Date** 2018-08-03

## APPLICANT AND AGENT DETAILS

### Applicant

Ada Support Inc.  
206-174 Spadina Ave  
Toronto  
ONTARIO  
M5T2C2

### Agent

LABARGE WEINSTEIN LLP  
515 Legget Drive, Suite 800, Ottawa,  
ONTARIO, K2K3G4

## TRADEMARK DETAILS

# #1 IN ACX

### Trademark Type

Word

### Goods

#### Class 09

Downloadable electronic publications in the field of customer service automation and artificial intelligence automated digital assistant (chatbot) technologies; computer software to automate customer service.

### Services

#### Class 35

(1) Business consulting, namely services relating to the development and use of customer service automation software and artificial intelligence automated digital assistants (chatbots).

#### Class 41

(2) Non-downloadable electronic publications in the field of customer service automation; educational services, namely, conducting conferences and online courses in the field of customer service automation.

#### Class 42

(3) Software as a service for automating customer conversations across digital channels, namely website, mobile applications, social media and email, through the use of an artificial intelligence automated digital assistants (chatbot) to answer questions and provide recommendations to users; computer software consulting, namely providing services to develop and use customer service automation software and artificial intelligence automated digital assistants (chatbots).

**Application Number** 1,913,406  
**Language of Application** English

**Filing Date** 2018-08-06

## APPLICANT DETAILS

### Applicant

Jing Jing Liu; Graham Peter Candy; Kyle  
Anderson Nielsen; Carey Shawn Britt; a joint  
venture  
141 Rosewell Ave  
Toronto  
ONTARIO  
M4R2A5

## TRADEMARK DETAILS

### Trademark Type

Design

### Visual Representation



### Trademark Description

The design is of an eye, of which half of the eye is covered, distinguished by a diagonal line cutting across the eye from top right to bottom left, such that half of the pupil is not visible.

### Goods

#### Class 06

(1) sheets and plates of metal

#### Class 09

(2) dustproof plugs for cell phone jacks; dustproof plugs for cellular telephone jacks; dustproof plugs for jacks of mobile phones; dustproof plugs for mobile phone jacks; dustproof plugs for mobile telephone jacks; earphones and headphones; labels with integrated radio frequency identification [RFID] chips; protective films adapted for computer screens; protective films adapted for screens for tablet computers; protective films adapted for smartphone screens; protective films adapted for tablet computer screens; USB cables for cellular phones; VPN (virtual private network) operating software

#### Class 16

(3) educational books; stickers; vinyl stickers

#### Class 17

(4) sound-absorbing metal plates

**Class 18**

(5) leather and imitation leather bags

**Class 28**

(6) protective films adapted for screens for portable games

**Services**

**Class 35**

(1) business management consultancy; business management consultation; business management consulting; providing marketing consultancy in the field of social media; providing marketing consulting in the field of social media

**Class 37**

(2) home security installation advisory services; installation and repair of computer hardware; installation, maintenance and repair of computer hardware

**Class 38**

(3) providing virtual private network (vpn) services

**Class 41**

(4) developing educational manuals

**Class 42**

(5) data encryption and decoding services; data encryption services; installation, maintenance and repair of Internet access software; installation, maintenance and repair of software for computer systems

**Class 45**

(6) consultancy services in the field of home security; consultation in the field of data theft and identity theft; consulting and legal services in the field of privacy and security laws, regulations, and requirements; fraud and identity theft protection services; providing information on the development of privacy, security and data governance law from a website



**Application Number** 1,913,535  
**Language of Application** English

**Filing Date** 2018-08-07

## **APPLICANT AND AGENT DETAILS**

### **Applicant**

Charm Genius Limited  
Unit 1603, 16/F., Citimark  
No. 28 Yuen Shun Circuit,  
Siu Lek Yuen, Shatin, New Territories  
HONG KONG

### **Agent**

CHOOI LAW PROFESSIONAL  
CORPORATION  
738 Spadina Avenue, Suite 200, Toronto,  
ONTARIO, M5S2J8

## **TRADEMARK DETAILS**

# **LASER PEGS**

### **Trademark Type**

Word

### **Goods**

#### **Class 28**

Educational toy for constructing tractors, dune buggies, bugs and any other shape or form with an electric supply and a plurality of translucent blocks which light up when attached to the electric supply.

**Application Number** 1,913,536  
**Language of Application** English

**Filing Date** 2018-08-07

## APPLICANT AND AGENT DETAILS

### Applicant

Charm Genius Limited  
Unit 1603, 16/F., Citimark  
No. 28 Yuen Shun Circuit,  
Siu Lek Yuen, Shatin, New Territories  
HONG KONG

### Agent

CHOOI LAW PROFESSIONAL  
CORPORATION  
738 Spadina Avenue, Suite 200, Toronto,  
ONTARIO, M5S2J8

## TRADEMARK DETAILS

# IT'S YOUR IMAGINATION, LIGHT IT UP!

### Trademark Type

Word

### Goods

#### Class 28

Educational toy construction sets featuring translucent blocks which light up when plugged into an electrical power supply; educational toy construction sets which light up based upon at least one block containing its own electrical power supply.

**Application Number** 1,913,778  
**Language of Application** English

**Filing Date** 2018-08-07

## **APPLICANT AND AGENT DETAILS**

### **Applicant**

ACMPC California 7, LLC, a California limited liability company  
1331 NW Lovejoy Street  
Suite 720  
Portland, OR 97209  
UNITED STATES OF AMERICA

### **Agent**

GOWLING WLG (CANADA) LLP  
550 BARRARD STREET, SUITE 2300,  
VANCOUVER, BRITISH COLUMBIA, V6C2B5

## **TRADEMARK DETAILS**

# **YANKEE DOODLE DANDY ORANGES**

### **Trademark Type**

Word

### **Goods**

#### **Class 31**

(1) Fresh citrus fruits

#### **Class 32**

(2) Fruit juices

### **Claims**

Priority Filing Date: August 02, 2018, Country or Office: UNITED STATES OF AMERICA,  
Application No: 88/063642 in association with the same kind of goods

**Application Number** 1,913,857  
**Language of Application** English

**Filing Date** 2018-08-08

## APPLICANT AND AGENT DETAILS

### Applicant

Zimmer Biomet Connected Health, LLC  
345 East Main Street  
Warsaw, IN 46580  
UNITED STATES OF AMERICA

### Agent

SMART & BIGGAR LLP  
SUITE 900, 55 METCALFE STREET, P.O.  
BOX 2999, STATION D, OTTAWA, ONTARIO,  
K1P5Y6

## TRADEMARK DETAILS

# MYMOBILITY

### Trademark Type

Word

### Goods

#### Class 09

Computer software for use in providing interactive information consisting of digital therapy programs in the form of care plans for orthopedic patients

### Services

#### Class 42

Providing on-line non-downloadable software for use in providing interactive information consisting of digital therapy programs in the form of care plans for orthopedic patients

### Claims

Priority Filing Date: February 19, 2018, Country or Office: UNITED STATES OF AMERICA,  
Application No: 87/802,284 in association with the same kind of goods and in association with the same kind of services

**Application Number** 1,913,907  
**Language of Application** English

**Filing Date** 2018-08-08

## **APPLICANT AND AGENT DETAILS**

### **Applicant**

Pancreatic Cancer Canada Foundation  
508-36 Eglinton Ave W  
Toronto  
ONTARIO  
M5R3B7

### **Agent**

FASKEN MARTINEAU DUMOULIN LLP  
333 BAY STREET, SUITE 2400, BAY  
ADELAIDE CENTRE, BOX 20, TORONTO,  
ONTARIO, M5H2T6

## **TRADEMARK DETAILS**

# **DIGITAL DEATH SENTENCE**

### **Trademark Type**

Word

### **Services**

#### **Class 36**

Fundraising services

**Application Number** 1,913,986  
**Language of Application** French

**Filing Date** 2018-08-08

## APPLICANT AND AGENT DETAILS

### Applicant

L'OREAL, Société anonyme  
14 rue Royale  
75008 Paris  
FRANCE

### Agent

FASKEN MARTINEAU DUMOULIN LLP  
800 rue Square-Victoria, BUREAU 3700, C.P.  
242, MONTREAL, QUÉBEC, H4Z1E9

## TRADEMARK DETAILS

# PRIME IT BOOST IT

### Trademark Type

Word

### Goods

#### Class 03

Make-up.

### Claims

Priority Filing Date: February 19, 2018, Country or Office: FRANCE, Application No: 4429859 in association with the same kind of goods

**Application Number** 1,914,023  
**Language of Application** English

**Filing Date** 2018-08-08

## **APPLICANT DETAILS**

**Applicant**  
SPECIALIZED BICYCLE COMPONENTS  
CANADA INC.  
20975 Rue Daoust  
Sainte-Anne-de-Bellevue  
QUEBEC  
H9X0A3

## **TRADEMARK DETAILS**

**#newbikeday**

**Trademark Type**  
Word

**Services**

**Class 36**

financing of loans; financing of purchases; lease-purchase financing; lease-purchase financing services

**Application Number** 1,914,033  
**Language of Application** French

**Filing Date** 2018-08-09

## APPLICANT AND AGENT DETAILS

### Applicant

Nextomy Technology Limited  
Flat/Rm A 12/F, Kiu Fu Commercial Bldg, 300  
Lockhart Road  
Wan Chai, 999077  
Wan Chai  
HONG KONG

### Agent

WITMART INC.  
34 King Street East, Suite 500, Toronto,  
ONTARIO, M5C2X8

## TRADEMARK DETAILS

# FAIREUM

### Trademark Type

Word

### Goods

#### Class 09

Tables traçantes; applications pour téléphones mobiles, à savoir jeux sportifs téléchargeables; caméras de cinéma; jeux informatiques; jeux informatiques téléchargeables d'un réseau informatique mondial; logiciels pour la création de jeux informatiques; détecteurs de fausse monnaie; cartouches de jeux vidéo.

### Services

#### Class 35

(1) Consultation en gestion des affaires; services de présentation à des fins de merchandising; services de consultation en organisation des affaires; gestion des affaires commerciales; gestion informatisée de fichiers; services d'agence d'importation-exportation; publicité en ligne pour des tiers sur des réseaux informatiques; organisation de défilés de mode à des fins promotionnelles; services d'agence de publicité; services de présentation en vitrine pour magasins de détail.

#### Class 36

(2) Virement électronique de fonds; services de représentant fiduciaire; services de courtage financier en douane; gestion financière; financement garanti; prêts remboursables par versements; services bancaires en ligne; traitement de paiements par carte de crédit; traitement de paiements par carte de débit.

#### Class 38

(3) Services de courriel; échange électronique de messages par des lignes de bavardage, des bavardoirs et des forums sur Internet; transmission électronique de fichiers de photos numériques par réseau poste à poste; offre de bavardoirs sur Internet; transmission de cartes de souhaits en ligne; services de messagerie vocale.

#### Class 41

(4) Services de casino; services de jeux de casino en ligne; services de pari en ligne; organisation de défilés de mode à des fins de divertissement; organisation de loteries; production d'émissions



de radio et de télévision; offre de jeux de casino et de jeux vidéo non téléchargeables par Internet; offre de jeux de casino et de jeux vidéo non téléchargeables par des réseaux informatiques sans fil; publication de livres; publication de livres et de revues électroniques en ligne.

**Class 42**

(5) Services de programmation informatique; conception de logiciels; services de protection contre les virus informatiques; services de cryptage de données; surveillance électronique d'information nominative pour la détection du vol d'identité par Internet; maintenance de logiciels; offre d'information sur l'informatique et la programmation par un site Web.

**Class 45**

(6) Services de règlement à l'amiable de litiges; accompagnement; gestion de droits d'auteur; services de rencontres; consultation en propriété intellectuelle; octroi de licences de propriété intellectuelle; médiation; surveillance de droits de propriété intellectuelle à des fins de conseil juridique; services de réseautage social en ligne; enregistrement de noms de domaine.

**Application Number** 1,914,043  
**Language of Application** French

**Filing Date** 2018-08-09

## APPLICANT AND AGENT DETAILS

### Applicant

L'OREAL, Société anonyme  
14 rue Royale  
75008 Paris  
FRANCE

### Agent

FASKEN MARTINEAU DUMOULIN LLP  
800 rue Square-Victoria, BUREAU 3700, C.P.  
242, MONTREAL, QUÉBEC, H4Z1E9

## TRADEMARK DETAILS

# PIVOINES PRINTEMPS

### Trademark Type

Word

### Goods

#### Class 03

Scented soaps; perfumes; eau de cologne; eaux de toilette; eaux de parfum; personal deodorants; cleansing and scenting preparations for the face and body; scented body creams and lotions; essential oils for personal use.

### Claims

Priority Filing Date: March 13, 2018, Country or Office: FRANCE, Application No: 4436580 in association with the same kind of goods

**Application Number** 1,914,106  
**Language of Application** English

**Filing Date** 2018-08-09

## APPLICANT AND AGENT DETAILS

### Applicant

Chico's Brands Investments, Inc.  
11215 Metro Parkway  
Fort Myers, FL 33966  
UNITED STATES OF AMERICA

### Agent

GOWLING WLG (CANADA) LLP  
SUITE 2600, 160 ELGIN STREET, OTTAWA,  
ONTARIO, K1P1C3

## TRADEMARK DETAILS

# ENBLISS

### Trademark Type

Word

### Goods

#### Class 25

Clothing, namely, shirts, tunics, pants, jeans, denims, leggings, shorts, jackets, coats, sweaters, vests, wraps, skirts, dresses, loungewear, sleepwear, pajamas, nightgowns, chemises, robes, nightshirts, swimwear, beachwear, undergarments, lingerie, bras, panties, camisoles; tops, namely, namely, shirts, blouses, tank tops, sweaters, sweatshirts, fleece tops, knit tops, hooded tops, tunics

### Claims

Priority Filing Date: June 13, 2018, Country or Office: UNITED STATES OF AMERICA, Application No: 87960417 in association with the same kind of goods

**Application Number** 1,914,125  
**Language of Application** English

**Filing Date** 2018-08-09

## **APPLICANT DETAILS**

### **Applicant**

Derek G. Graham Limited  
7669 Colborne St  
Fergus  
ONTARIO  
N1M2W3

## **TRADEMARK DETAILS**

### **Trademark Type**

Design

### **Visual Representation**



### **Services**

**Class 42**

land surveying

**Application Number** 1,914,182  
**Language of Application** English

**Filing Date** 2018-08-09

## APPLICANT AND AGENT DETAILS

### Applicant

OTSUKA PHARMACEUTICAL CO., LTD.  
2-9 Kanda-Tsukasamachi  
Chiyoda-ku  
Tokyo  
JAPAN

### Agent

SMART & BIGGAR LLP  
SUITE 900, 55 METCALFE STREET, P.O.  
BOX 2999, STATION D, OTTAWA, ONTARIO,  
K1P5Y6

## TRADEMARK DETAILS

### Trademark Type

Design

### Visual Representation

FIGHTBACK

### Goods

#### Class 05

Pharmaceutical preparations for the prevention and treatment of tuberculosis.

### Services

#### Class 41

(1) Educational and instructional services in the fields of using, prescribing and administering antituberculous agents.

#### Class 44

(2) Providing medical information in the field of tuberculosis.

**Application Number** 1,914,504  
**Language of Application** English

**Filing Date** 2018-08-13

## APPLICANT AND AGENT DETAILS

### Applicant

Kimball International, Inc.  
1600 Royal Street  
Jasper, IN 47549  
UNITED STATES OF AMERICA

### Agent

CPST INTELLECTUAL PROPERTY INC.  
Brookfield Place, 181 Bay Street, Suite 2425,  
Toronto, ONTARIO, M5J2T3

## TRADEMARK DETAILS

# WIXLER

### Trademark Type

Word

### Goods

#### Class 20

office furniture; tables

### Claims

Priority Filing Date: August 10, 2018, Country or Office: UNITED STATES OF AMERICA,  
Application No: 88/073912 in association with the same kind of goods

**Application Number** 1,914,507  
**Language of Application** English

**Filing Date** 2018-08-13

## APPLICANT AND AGENT DETAILS

### Applicant

John D'ANGELO  
55 Av d'Alsace  
Candiac  
QUEBEC  
J5R5R7

### Agent

THERRIEN COUTURE JOLI-COEUR S.E.N.C.  
R.L.  
2001 avenue McGill College, Bureau 900,  
Montréal, QUEBEC, H3A1G1

## TRADEMARK DETAILS

# PIZZA & I

### Trademark Type

Word

### Goods

#### Class 25

(1) t-shirts, caps

#### Class 29

(2) edible oils, olive oil for food

#### Class 30

(3) Spaghetti, vinegar, fresh pasta, pasta, filled pasta, prepared pasta, noodles, spaghetti sauce, pasta sauce, pizza sauce, meat sauce, tomato sauce, spices, frozen pizza, pizza

### Services

#### Class 35

(1) retail sale of ice cream

#### Class 43

(2) Restaurant; Ice cream parlor;

**Application Number** 1,914,517  
**Language of Application** English

**Filing Date** 2018-08-13

## APPLICANT DETAILS

**Applicant**  
FAIR TRADE JEWELLERY COMPANY LTD.  
523 Parliament Street  
Toronto  
ONTARIO  
M4X1P3

## TRADEMARK DETAILS

# PREEN

**Trademark Type**  
Word

**Goods**

**Class 14**

alloys of precious metal; alloys of precious metals; jewellery; jewellery and precious stones; jewellery rings; men's jewellery; metal jewellery; necklaces of precious metal; palladium alloys; palladium and its alloys; pearl jewellery; platinum alloys; platinum and its alloys; semi-precious and precious stones; semi-precious gemstones; semi-precious stones



**Application Number** 1,914,585  
**Language of Application** English

**Filing Date** 2018-08-13

## APPLICANT AND AGENT DETAILS

### Applicant

RIEKER HOLDING AG  
Stockwiesenstrasse 1  
8240 Thayngen  
SWITZERLAND

### Agent

SMART & BIGGAR LLP  
SUITE 900, 55 METCALFE STREET, P.O.  
BOX 2999, STATION D, OTTAWA, ONTARIO,  
K1P5Y6

## TRADEMARK DETAILS

# RIEKER

### Trademark Type

Word

### Goods

#### Class 18

(1) Leather and imitations of leather; bags, namely, all-purpose carrying bags, wrist bags, gripsacks, shoulder bags, shopping bags, backpacks, bucket bags, traveling bags, shoe bags for travel, sport bags; handbags.

#### Class 25

- (2) Clothing, namely, shirts, t-shirts, pullovers, sweaters, jackets, coats, pants, socks and hosiery.  
(3) Shoes, footwear, namely, boots, Chelsea boots, ankle boots.  
(4) Headgear, namely, hats, caps, bandanas, headscarves, waist belts.

### Claims

Priority Filing Date: February 28, 2018, Country or Office: SWITZERLAND, Application No: 00126 /2018 in association with the same kind of goods

**Application Number** 1,914,665  
**Language of Application** English

**Filing Date** 2018-08-13

## APPLICANT AND AGENT DETAILS

### Applicant

Alicia Chodkowski  
440 Newlands Rd  
West Vancouver  
BRITISH COLUMBIA  
V7T1W1

### Agent

TED B. URBANEK  
(URBANEK INTELLECTUAL PROPERTY  
LAW), 1275 West 6th Avenue, Vancouver,  
BRITISH COLUMBIA, V6H1A6

## TRADEMARK DETAILS

# LUX LITTLES

### Trademark Type

Word

### Goods

#### Class 18

(1) purses

#### Class 24

(2) baby blankets; swaddling blankets

#### Class 25

(3) baby clothing; children's clothing

(4) cloth bibs; shoes

### Services

#### Class 35

online sales of clothing; retail sale of clothing; retail services provided by clothing boutiques

**Application Number** 1,915,001  
**Language of Application** English

**Filing Date** 2018-08-15

## APPLICANT AND AGENT DETAILS

### Applicant

Evergreen Consumer Brands Inc.  
100 Delta Park Blvd.  
Brampton  
ONTARIO  
L6T5E7

### Agent

BORDEN LADNER GERVAIS LLP  
Bay Adelaide Centre, East Tower, 22 Adelaide  
St. West, TORONTO, ONTARIO, M5H4E3

## TRADEMARK DETAILS

# HELENE CURTIS

### Trademark Type

Word

### Goods

#### Class 03

Hair care products, namely shampoo and conditioner, hair mousse, hair spray, hair rinse; body wash; body lotion; hand lotion; liquid soaps for hands, face, and body; soaps for body care, sun care lotions.

**Application Number** 1,915,073  
**Language of Application** English

**Filing Date** 2018-08-15

## **APPLICANT DETAILS**

### **Applicant**

The Goodyear Tire & Rubber Company  
200 Innovation Way  
Akron, OH 44316  
UNITED STATES OF AMERICA

## **TRADEMARK DETAILS**

# **TIRES ON YOUR TERMS**

### **Trademark Type**

Word

### **Services**

#### **Class 35**

(1) Retail motor vehicle tire store services; online retail store services featuring motor vehicle tires

#### **Class 37**

(2) Motor vehicle repair and maintenance services; mobile motor vehicle tire installation services

### **Claims**

Priority Filing Date: August 14, 2018, Country or Office: UNITED STATES OF AMERICA,  
Application No: 88078025 in association with the same kind of services

**Application Number** 1,915,128  
**Language of Application** English

**Filing Date** 2018-08-15

## **APPLICANT DETAILS**

### **Applicant**

HS Premium Storage Products Inc.  
1867 Regional Road 81  
St. Catharines  
ONTARIO  
L2R6P7

## **TRADEMARK DETAILS**

# **HERB GUARD**

### **Trademark Type**

Word

### **Disclaimer**

The right to the exclusive use of the word HERB is disclaimed apart from the trademark.

### **Goods**

#### **Class 21**

(1) food storage containers; glass jars

#### **Class 22**

(2) cloth bags for storage

**Application Number** 1,915,130  
**Language of Application** English

**Filing Date** 2018-08-15

## APPLICANT AND AGENT DETAILS

### Applicant

CS Medical, LLC  
2179 East Lyon Station Road  
Creedmoor, NC 27522  
UNITED STATES OF AMERICA

### Agent

PAULA CLANCY  
(CLANCY PROFESSIONAL CORPORATION),  
28 Deakin Street, Suite 201, Ottawa,  
ONTARIO, K2E8B7

## TRADEMARK DETAILS

# TD 200

### Trademark Type

Word

### Goods

#### Class 10

Medical equipment, namely, apparatus for disinfecting ultrasonic probes.

### Claims

Priority Filing Date: February 23, 2018, Country or Office: UNITED STATES OF AMERICA,  
Application No: 87/809,220 in association with the same kind of goods

**Application Number** 1,915,137  
**Language of Application** English

**Filing Date** 2018-08-15

## APPLICANT AND AGENT DETAILS

### Applicant

MAGIC LEAP, INC.  
7500 W Sunrise Blvd.  
Plantation, FL 33322  
UNITED STATES OF AMERICA

### Agent

GOWLING WLG (CANADA) LLP  
SUITE 2600, 160 ELGIN STREET, OTTAWA,  
ONTARIO, K1P1C3

## TRADEMARK DETAILS

# L.E.A.P. CONFERENCE

### Trademark Type

Word

### Services

#### Class 41

Educational services, namely, conducting conferences in the field of software development for mixed, augmented and virtual reality and distribution of course and educational materials in connection therewith; Educational services, namely, developing, arranging, and conducting educational conferences and programs and providing courses of instruction in the field of software development for mixed, augmented and virtual reality

### Claims

Priority Filing Date: February 15, 2018, Country or Office: UNITED STATES OF AMERICA, Application No: 87798844 in association with the same kind of services

**Application Number** 1,915,189  
**Language of Application** English

**Filing Date** 2018-08-15

## APPLICANT DETAILS

**Applicant**  
DANIEL MALIN  
67 Walden Path SE  
Calgary  
ALBERTA  
T2X4C4

## TRADEMARK DETAILS

**Trademark Type**  
Design

### Visual Representation



### Goods

#### Class 25

Hats; casual and athletic clothing.

### Services

#### Class 35

(1) Consulting services in the fields of business management, public relations, and online marketing strategies.

#### Class 41

(2) Life coaching services in the fields of maintaining a positive outlook on life, interpersonal communication, negotiation strategies, and dealing with anxiety and stress; Educational seminars and workshops in the fields of online marketing strategies and search engine optimization.



**Application Number** 1,915,254  
**Language of Application** English

**Filing Date** 2018-08-15

## APPLICANT AND AGENT DETAILS

### Applicant

CS Medical, LLC  
2179 East Lyon Station Road  
Creedmoor, NC 27522  
UNITED STATES OF AMERICA

### Agent

PAULA CLANCY  
(CLANCY PROFESSIONAL CORPORATION),  
28 Deakin Street, Suite 201, Ottawa,  
ONTARIO, K2E8B7

## TRADEMARK DETAILS

# TD12

### Trademark Type

Standard Characters

### Goods

#### Class 05

Disinfectants for medical instruments.

### Claims

Priority Filing Date: February 23, 2018, Country or Office: UNITED STATES OF AMERICA,  
Application No: 87/809,173 in association with the same kind of goods

**Application Number** 1,915,255  
**Language of Application** English

**Filing Date** 2018-08-16

## **APPLICANT DETAILS**

### **Applicant**

Melanie De Sousa  
4344 Jenkins Crescent  
Mississauga  
ONTARIO  
L5R1V3

## **CERTIFICATION MARK DETAILS**

### **Trademark Type**

Design

### **Visual Representation**



### **Certification Mark Standard**

Cosmetic products/ promotional products

### **Goods**

**Class 03**

cosmetics

**Application Number** 1,915,258  
**Language of Application** English

**Filing Date** 2018-08-16

## APPLICANT AND AGENT DETAILS

### Applicant

MOHAMMAD IBRAHIM DAR  
38 Northcote Road  
London E17 7DU  
UNITED KINGDOM

### Agent

CLAUDETTE DAGENAIS  
(DJB), 500 Boulevard Gouin E, Suite 302,  
Montréal, QUEBEC, H3L3R9

## TRADEMARK DETAILS

### Trademark Type

Design

### Visual Representation



### Colour Claim

Colour is claimed as a feature of the trade-mark. The word 'Chicken' is depicted in red stylized letters. The chicken head connected to the letter 'C' and the curved line below the letter 'S' are red. The word 'Spot' is depicted in orange stylized letters with the letter 'S' in orange curving around to the letter 'e'.

### Services

#### Class 43

Providing of food and drink, namely restaurant services.

**Application Number** 1,915,262  
**Language of Application** English

**Filing Date** 2018-08-16

## APPLICANT AND AGENT DETAILS

### Applicant

Wintrust Financial Corporation  
9700 West Higgins Road  
Rosemont, IL 60018  
UNITED STATES OF AMERICA

### Agent

OSLER, HOSKIN & HARCOURT LLP  
SUITE 1900, 340 ALBERT STREET,  
OTTAWA, ONTARIO, K1R7Y6

## TRADEMARK DETAILS

# WINTRUST INVESTMENTS

### Trademark Type

Word

### Services

#### Class 36

Investment advisory services; providing financial services with respect to securities and other financial instruments and products, namely, money management services; financial trust planning; financial trust operations and trust management accounts.

### Claims

Priority Filing Date: August 08, 2018, Country or Office: UNITED STATES OF AMERICA,  
Application No: 88/070,866 in association with the same kind of services

**Application Number** 1,915,264  
**Language of Application** English

**Filing Date** 2018-08-16

## APPLICANT DETAILS

### Applicant

Fastenhaus Limited  
272 Bath Street  
G2 4JR  
Glasgow  
UNITED KINGDOM

## TRADEMARK DETAILS

# OTTO

### Trademark Type

Word

### Goods

#### Class 05

(1) dietary supplements for general health and well-being; epsom salt; herbal supplements for general health and well-being; mineral salts for baths; nutritional supplement meal replacement bars for boosting energy; nutritional supplements for general health and well-being; probiotic preparations for medical purposes to help maintain a natural balance of flora in the digestive system; protein powders for meal replacement for use as a dietary supplement; vitamin and mineral dietary supplements; vitamin preparations in the form of meal replacement drinks and powders; vitamin supplements in tablet form for making effervescent beverages when added to water

#### Class 09

(2) educational software containing topics of instruction in nutrition

#### Class 11

(3) hot water bottles

#### Class 21

(4) cups and mugs; drinking bottles for sports; drinking cups; insulated flasks; travel mugs; water bottles sold empty

#### Class 29

(5) broth; broth concentrates; canned soups; dried fruit-based snack bars; instant soup; pre-cooked soup; prepared meals primarily consisting of cooked fruits and vegetables; soup concentrates; soups and preparations for making soups

#### Class 30

(6) coffee; coffee based beverages; ground coffee beans; herbal tea beverages; herbal teas; instant coffee; non-alcoholic tea-based beverages; roasted coffee beans; salt and pepper; tea

#### Class 32

(7) beverages consisting of a blend of fruit and vegetable juices; concentrates for making fruit beverages; drinking water; drinking water with vitamins; fruit beverages and juices; isotonic beverages; mineral and aerated waters; powders for effervescing beverages; sports drinks containing electrolytes; vegetable-based beverages

## **Services**

### **Class 39**

(1) tour operating and organising; travel and tour information service; travel arrangement; travel guide and travel information services

### **Class 41**

(2) educational services in the field of nutrition

### **Class 44**

(3) consultancy relating to nutrition; health spa services for health and wellness of the body and spirit; nutrition counseling; nutritional advisory services; providing information in the field of psychological counseling and treatment; providing information relating to dietary and nutritional guidance; providing information relating to dietary and nutritional supplements; weight reduction diet planning and supervision services

**Application Number** 1,915,267  
**Language of Application** English

**Filing Date** 2018-08-16

## APPLICANT DETAILS

### Applicant

Fastenhaus Limited  
272 Bath Street  
G2 4JR  
Glasgow  
UNITED KINGDOM

## TRADEMARK DETAILS

# OTTO BUCHINGER

### Trademark Type

Word

### Goods

#### Class 05

(1) dietary supplements for general health and well-being; epsom salt; herbal supplements for general health and well-being; mineral salts for baths; nutritional supplement meal replacement bars for boosting energy; nutritional supplements for general health and well-being; probiotic preparations for medical purposes to help maintain a natural balance of flora in the digestive system; protein powders for meal replacement for use as a dietary supplement; vitamin and mineral dietary supplements; vitamin preparations in the form of meal replacement drinks and powders; vitamin supplements in tablet form for making effervescent beverages when added to water

#### Class 09

(2) educational software containing topics of instruction in nutrition

#### Class 11

(3) hot water bottles

#### Class 21

(4) cups and mugs; drinking bottles for sports; drinking cups; insulated flasks; travel mugs; water bottles sold empty

#### Class 29

(5) broth; broth concentrates; canned soups; dried fruit-based snack bars; instant soup; pre-cooked soup; prepared meals primarily consisting of cooked fruits and vegetables; soup concentrates; soups and preparations for making soups

#### Class 30

(6) coffee; coffee based beverages; ground coffee beans; herbal tea beverages; herbal teas; instant coffee; non-alcoholic tea-based beverages; roasted coffee beans; salt and pepper; tea

#### Class 32

(7) beverages consisting of a blend of fruit and vegetable juices; concentrates for making fruit beverages; drinking water; drinking water with vitamins; fruit beverages and juices; isotonic beverages; mineral and aerated waters; powders for effervescing beverages; sports drinks containing electrolytes; vegetable-based beverages

## **Services**

### **Class 39**

(1) tour operating and organising; travel and tour information service; travel arrangement; travel guide and travel information services

### **Class 41**

(2) educational services in the field of nutrition

### **Class 44**

(3) consultancy relating to nutrition; health spa services for health and wellness of the body and spirit; nutrition counseling; nutritional advisory services; providing information in the field of psychological counseling and treatment; providing information relating to dietary and nutritional guidance; providing information relating to dietary and nutritional supplements; weight reduction diet planning and supervision services



**Application Number** 1,915,274  
**Language of Application** English

**Filing Date** 2018-08-16

## APPLICANT AND AGENT DETAILS

### Applicant

CANNTAB THERAPEUTICS LIMITED  
223 Riviera Dr  
Markham  
ONTARIO  
L3R5J6

### Agent

MAGYAR, BOGLE & O'HARA LLP  
2842 Bloor Street West, Suite 101, Toronto,  
ONTARIO, M8X1B1

## TRADEMARK DETAILS

# CannRXtrol

### Trademark Type

Word

### Goods

#### Class 05

pharmaceutical cannabis, namely medical marijuana; medicines derived from cannabis and cannabis extracts in oral dosage forms, namely, tablets, capsules, and thin-film

**Application Number** 1,915,310  
**Language of Application** English

**Filing Date** 2018-08-16

## APPLICANT AND AGENT DETAILS

### Applicant

Eljen Corporation  
90 Meadow Road  
Windsor, CT 06095  
UNITED STATES OF AMERICA

### Agent

AMY CROLL  
(Origins IP), 1115 Wellington St. West, Ottawa,  
ONTARIO, K1Y2Y6

## TRADEMARK DETAILS

### Trademark Type

Design

### Visual Representation



### Colour Claim

Colour is claimed as a feature of the trademark. The colours blue, black and white are claimed as a feature of the mark. The mark consists of the letters GSF in white, outline in black, appearing within a blue oval.

### Goods

#### Class 11

Geotextile sand filters for water filtration.

**Application Number** 1,915,467  
**Language of Application** English

**Filing Date** 2018-08-17

## **APPLICANT AND AGENT DETAILS**

### **Applicant**

Locus Law P.C. Inc.  
114 - 310 Wall Street W  
Saskatoon  
SASKATCHEWAN  
S7K1N7

### **Agent**

RYAN SHEBELSKI  
Locus Law, 114-310 Wall Street W, Saskatoon,  
SASKATCHEWAN, S7K1N7

## **TRADEMARK DETAILS**

# **Locus Law**

### **Trademark Type**

Word

### **Disclaimer**

The right to the exclusive use of the word Law is disclaimed apart from the trademark.

### **Services**

#### **Class 45**

Legal services.

**Application Number** 1,915,468  
**Language of Application** English

**Filing Date** 2018-08-17

## **APPLICANT AND AGENT DETAILS**

### **Applicant**

Coatings Foreign IP Co. LLC (a Delaware  
Limited Liability Company)  
c/o The Corporation Trust Company  
Corporation Trust Center  
1209 Orange Street  
Wilmington, DE 19801  
UNITED STATES OF AMERICA

### **Agent**

METHOD LAW PROFESSIONAL  
CORPORATION  
4211 Yonge Street, Suite 310, Toronto,  
ONTARIO, M2P2A9

## **TRADEMARK DETAILS**

# **AXALTA**

### **Trademark Type**

Word

### **Goods**

#### **Class 09**

Computer software for identifying, measuring, and selecting colors for paints and coatings; computer software for selecting paint and coating systems for specified painting and coating applications; computer software for purchasing and ordering paints and coatings products.

**Application Number** 1,915,470  
**Language of Application** English

**Filing Date** 2018-08-17

## APPLICANT AND AGENT DETAILS

### Applicant

Varis Mine Technology Ltd.  
122 Dell Street  
Unit A  
Sudbury  
ONTARIO  
P3C2Y1

### Agent

DARRYL JOSEPH BILODEAU  
(DB BUSINESS LAW/TM CENTRAL), 104  
ROTHESAY DRIVE, KANATA, ONTARIO,  
K2L2X1

## TRADEMARK DETAILS

**smartsense**

### Trademark Type

Word

### Goods

#### Class 09

Microprocessor controlled multi-gas sensor and alarm.

**Application Number** 1,915,494  
**Language of Application** English

**Filing Date** 2018-08-17

## APPLICANT AND AGENT DETAILS

### Applicant

Ping Zhang  
PO Box 150  
Bradfordwoods, PA 15015  
UNITED STATES OF AMERICA

### Agent

MILTONS IP/P.I.  
15 Fitzgerald Rd, Suite 200, Ottawa,  
ONTARIO, K2H9G1

## TRADEMARK DETAILS

# TechMatte

### Trademark Type

Word

### Goods

#### Class 09

battery chargers for cell phones; docking stations for laptops; docking stations for smartphones; Global Positioning System receivers; global positioning system transmitters; stands adapted for mobile phones; stands adapted for tablet computers

**Application Number** 1,915,503  
**Language of Application** English

**Filing Date** 2018-08-17

## **APPLICANT AND AGENT DETAILS**

### **Applicant**

OCV INTELLECTUAL CAPITAL, LLC  
One Owens Corning Parkway  
Toledo, OH 43659  
UNITED STATES OF AMERICA

### **Agent**

SMART & BIGGAR LLP  
1100-150 York street, TORONTO, ONTARIO,  
M5H3S5

## **TRADEMARK DETAILS**

# **XSTRAND**

### **Trademark Type**

Word

### **Goods**

#### **Class 17**

Semi-worked thermoplastic filaments used for 3D printing

**Application Number** 1,915,525  
**Language of Application** English

**Filing Date** 2018-08-17

## APPLICANT AND AGENT DETAILS

### Applicant

Airbnb, Inc.  
888 Brannan Street  
San Francisco, CA 94103  
UNITED STATES OF AMERICA

### Agent

SMART & BIGGAR LLP  
1100-150 York street, TORONTO, ONTARIO,  
M5H3S5

## TRADEMARK DETAILS

# BEYOND BY AIRBNB

### Trademark Type

Word

### Services

#### Class 39

(1) Arrangement and booking of travel tours and excursions; Providing information and commentary on travel; Providing reviews of travel service providers; Travel guide and travel information services; Travel agency services, namely, making reservations and bookings for transportation, excursions, travel tours and travel; Providing links to the websites of others featuring transportation, excursions, travel tours and travel.

#### Class 43

(2) Providing reservation, booking and search services for temporary accommodations and temporary rental listings; Providing information in the field of temporary accommodations and temporary rental listings; Providing rental information for temporary accommodations and temporary rental listings, namely, property descriptions and images, reviews, locations and amenities, availability and rates.

### Claims

Priority Filing Date: February 19, 2018, Country or Office: JAMAICA, Application No: 074426 in association with the same kind of services



**Application Number** 1,915,588  
**Language of Application** French

**Filing Date** 2018-08-17

## APPLICANT DETAILS

### Applicant

Jean Sébastien Rioux-Boire  
216 Rue Paul-Mainguy  
Blainville  
QUÉBEC  
J7C5M7

## TRADEMARK DETAILS

# PITY PARTY

### Trademark Type

Word

### Goods

#### Class 18

(1) Tote bags.

#### Class 25

(2) Sweaters; long-sleeved sweaters; long-sleeved T-shirts; T-shirts.

**Application Number** 1,915,593  
**Language of Application** English

**Filing Date** 2018-08-17

## APPLICANT AND AGENT DETAILS

### Applicant

E. M. GROUP HOLDING AG  
Hettlinger Straße 9  
Wertingen 86637  
GERMANY

### Agent

RIDOUT & MAYBEE LLP  
250 University Avenue, 5th Floor, Toronto,  
ONTARIO, M5H3E5

## TRADEMARK DETAILS

# PULSIVA

### Trademark Type

Word

### Goods

#### Class 08

(1) Cutlery, forks and spoons; cutlery, forks and spoons of precious metal

#### Class 16

(2) Paper, cardboard and goods made thereof, namely, boxes of paper perfume cardboard, place cards of paper or cardboard, envelopes of paper and cardboard, boxes for invoices of paper and cardboard; printed matter, namely, books in the field of restaurants, hospitality and catering, hotel forms; printed menu cards; printed drink menus; printed menu covers, protectors, and sleeves; table cloths of paper; paper towels and paper serviettes; paper decorations, namely, garlands for parties; stationery; adhesives for stationery, paper goods and household use; plastic packaging materials, namely, envelopes, film, plastic bags and bubble-packs; paper table sets comprised of table cloths of paper, napkins of paper and drip mats of paper, sold as a unit

#### Class 18

(3) Leather and artificial leather and goods made thereof, namely, purses, key cases, and belt pouches; menu folders of leather and artificial leather

#### Class 20

(4) Furniture, namely, kitchen furniture, mirrors, picture frames, chairs, benches, stools, tables, cutlery cupboards, loungers, sofas, armchairs, table bases, table tops, dividing panels, trolleys for serving food and drinks, restaurant desks, fixed towel dispensers not of metal, and display boards; coat stands; racks, namely, tie racks, towel racks, wine racks, hat racks, shoe racks, magazine racks, suitcase racks; display boards; clothes hangers of wood and plastics; goods of wood, reed, cane, wicker, horn bone, ivory, whalebone, shell, amber, mother-of-pearl, meerschaum or of plastics, namely, boxes; chair cushions, beds; mattresses; pillows; iron wire hangers for clothes; Plastic containers for commercial use, namely, for storing and dispensing bulk foods

#### Class 21

(5) Kitchen utensils, namely, cutlery trays, trays, strainers, baking tins not of precious metal, baking tins of aluminum, cookery moulds, ice cream scoops, kitchen graters, mixing bowls, basting spoons, rinsing tubs, rinsing pails, napkin rings of precious metal, napkin rings not of precious

metal, fondant cutters and rollers of precious metal, dustbins, soap dispensers, tea caddies, toilet roll holders, paper towel dispensers not of metal, and woks; containers for kitchen, restaurant, hospitality and hotel use neither of precious metals, nor coated therewith, namely, containers for storage, transport and presentation of food and beverages, and kitchen urns not of metal used for catering; cooking pots; goods of glass, porcelain and earthenware for kitchen, restaurant, hospitality and hotel use, namely, tableware, not of precious metal, namely, plates, cups, bowls, saucers, dishes, cans, gravy boats, gratin moulds, pitchers, terrines pans, tumblers, decanters, bottles, boxes, skillets, cruets, oil cruets, sugar bowls, coasters, glass plates, potters, cream and sugar sets, cooking pot sets, jugs, not of precious metal, glasses, beer mugs, frying pans, bread baskets for domestic use, butter dishes, egg cups, salt shakers and pepper pots, cups for use when brushing teeth, and soap holders; corkscrews, non-electric food mixers; candlesticks, not of precious metal, wooden planks for kitchen, restaurant, hospitality and hotel use, namely, wooden cutting boards; buckets; brooms, cleaning brushes, cleaning instruments, namely, toilet brushes, and holders for toilet brushes, artware of glass, porcelain and earthenware, namely, flower vases, bowls, and boxes; cardboard plates and cups; servingware for serving food and serving trays made of aluminum for kitchen, restaurant, hospitality and hotel use, floor wax applicator mountable on a mop handle; non-electric pressure cookers; disposable cups of cardboard, disposable plates of cardboard; iron wire clothes drying hangers; Metal ice cube molds; Metal napkin dispensers for kitchen, restaurant, hospitality and hotel use; metal kitchen urns for catering; toilet tissue dispensers of metal; electric kitchen urns; goods of plastics, namely, baskets, bowls, flower vases, coasters, and small potters

#### **Class 24**

(6) Cotton, polyester, spandex, fleece, linen, and viscose fabrics and articles of fabric material, namely, towels, table napkins, chair covers, individual place mats, pillowcases; bed and table linen and tablecloths of textiles; table covers of plastic and textiles; curtains; blankets; eiderdowns, bed blankets; face towels of textile, dishtowels, bedspreads, covers for mattresses; shower curtains

#### **Class 25**

(7) Headgear and clothing for professional use, namely, pants, shirts, jackets, suits, blazers, pullovers, blouses, skirts, vests, dresses, polo shirts, t-shirts, neckties, ties, bow ties, scarves, belts, outdoor jackets, outdoor pants, cook's jackets, cook's pants, cook's shirts, chef's hats, bandanas, stockings, socks, pantyhose, leather trousers, dirndl dresses, aprons, smock overalls, aprons, gloves; footwear for professional use

#### **Class 34**

(8) Ashtrays for smokers; smokers' requisites; outdoor cigar and cigarettes disposal units, cigar cases

**Application Number** 1,915,611  
**Language of Application** English

**Filing Date** 2018-08-17

## APPLICANT AND AGENT DETAILS

### Applicant

Shimano Inc.  
3-77 Oimatsu-cho, Sakai-ku  
Sakai City  
Osaka 590-8577  
JAPAN

### Agent

BORDEN LADNER GERVAIS LLP  
World Exchange Plaza, 100 Queen Street,  
Suite 1300, Ottawa, ONTARIO, K1P1J9

## TRADEMARK DETAILS

### Trademark Type

Design

### Visual Representation

**HEATSINK**  
**DRAG**

### Goods

#### Class 28

Fishing tackles, namely, reels for fishing.

**Application Number** 1,915,613  
**Language of Application** English

**Filing Date** 2018-08-17

## **APPLICANT DETAILS**

### **Applicant**

Scott Ward  
21831 44A Ave  
Langley  
BRITISH COLUMBIA  
V3A8E1

## **TRADEMARK DETAILS**

# **HABITSTACK**

### **Trademark Type**

Word

### **Services**

#### **Class 35**

(1) advice and information concerning commercial business management; advice relating to the organisation and management of business; advisory services for business management; advisory services relating to business management; advisory services relating to business management and business operations; business management; business management advice; business management and advice; business management and organization consultancy

#### **Class 41**

(2) life coaching in the field of career development

**Application Number** 1,915,617  
**Language of Application** English

**Filing Date** 2018-08-17

## APPLICANT AND AGENT DETAILS

### Applicant

Zephyr Ventilation LLC  
2277 Harbor Bay Parkway  
Alameda, CA 94502  
UNITED STATES OF AMERICA

### Agent

BROUILLETTE LEGAL INC.  
1050, Côte du Beaver Hall, Bureau 1500,  
MONTREAL, QUEBEC, H2Z0A5

## TRADEMARK DETAILS

# POWERWAVE

### Trademark Type

Word

### Goods

#### Class 11

Range hoods; blowers for use with range hoods.

### Claims

Priority Filing Date: February 22, 2018, Country or Office: UNITED STATES OF AMERICA,  
Application No: 87/807,233 in association with the same kind of goods

**Application Number** 1,915,684  
**Language of Application** English

**Filing Date** 2018-08-20

## APPLICANT AND AGENT DETAILS

### Applicant

SAMSUNG ELECTRONICS CO., LTD.  
129, Samsung-Ro, Yeongtong-Gu, Suwon-Si  
Gyeonggi-Do 16677  
REPUBLIC OF KOREA

### Agent

RIDOUT & MAYBEE LLP  
250 University Avenue, 5th Floor, Toronto,  
ONTARIO, M5H3E5

## TRADEMARK DETAILS

# MAGICHESTRA

### Trademark Type

Word

### Goods

#### Class 09

Computer game software; computer game software for use on mobile and cellular phones; downloadable computer game software; downloadable interactive entertainment software for playing computer games; downloadable mobile game software; electronic game software; electronic game software for mobile telephones; electronic game software for wireless devices; interactive computer game programs; recorded computer game software; virtual reality game software.

### Services

#### Class 42

Development of game software; design of computer game software; development of computer game software; programming of computer game software; design and development of computer game software and virtual reality software; development of video game software; design of video game software; rental of computer game software; design and development of virtual reality software; development of Virtual Reality game software; maintenance of computer game software.

**Application Number** 1,915,702  
**Language of Application** English

**Filing Date** 2018-08-20

## APPLICANT AND AGENT DETAILS

### Applicant

Vitech Systems Sub LLC  
401 Park Avenue South, 12th Floor  
New York, NY 10016  
UNITED STATES OF AMERICA

### Agent

GOWLING WLG (CANADA) LLP  
SUITE 1600, 1 FIRST CANADIAN PLACE, 100  
KING STREET WEST, TORONTO, ONTARIO,  
M5X1G5

## TRADEMARK DETAILS

# V3LOCITY

### Trademark Type

Word

### Goods

#### Class 09

Computer software for use in administering retirement, investment, insurance, health, and benefits plans; computer software for improving workflow processes in the administration of retirement, investment, insurance, health, and benefits plans.

### Services

#### Class 42

Design, development, implementation, customization, configuration, administration, and testing of computer software for others; computer systems integration services; cloud computing featuring software for use in administering retirement, investment, insurance, health and benefits plans; hosting software for others; technical consulting services in the fields of public and private cloud computing solutions, and evaluation and implementation of internet-based software technology and services; software as a service (SAAS) services, namely, hosting software for use by others for use in interacting with databases for administering retirement, investment, insurance, health, and benefits plans.

### Claims

Priority Filing Date: February 20, 2018, Country or Office: UNITED STATES OF AMERICA, Application No: 87/804,326 in association with the same kind of services; February 20, 2018, Country or Office: UNITED STATES OF AMERICA, Application No: 87/804,312 in association with the same kind of goods



**Application Number** 1,915,703  
**Language of Application** English

**Filing Date** 2018-08-20

## **APPLICANT DETAILS**

**Applicant**  
Kevin Rasuli  
7 Bracken Crt  
Gloucester  
ONTARIO  
K1J8N5

## **TRADEMARK DETAILS**

# **CLUBHAUS**

**Trademark Type**  
Word

**Services**

**Class 43**

hotel accommodation services; hotels

**Application Number** 1,915,727  
**Language of Application** English

**Filing Date** 2018-08-20

## APPLICANT AND AGENT DETAILS

### Applicant

Portalarium, Inc.  
3410 Far West Blvd., Ste 275  
Austin, TX 78731  
UNITED STATES OF AMERICA

### Agent

JENSEN IP  
103 - 2150 Thurston Drive, Ottawa, ONTARIO,  
K1G5T9

## TRADEMARK DETAILS

# SHROUD OF THE AVATAR

### Trademark Type

Word

### Goods

#### Class 09

(1) Computer game software, computer game programs, computer game software that may be downloaded from a global computer network; downloadable films and DVDs featuring cartoons;

#### Class 16

(2) Paper goods, namely, comic books, strategy guides for playing entertainment computer programs, posters; calendars; instructional leaflets, manuals for computer games, advertisement boards of paper or cardboard;

#### Class 25

(3) Clothing, namely, hats, caps, golf shirts, t-shirts, sweaters and jackets;

#### Class 28

(4) Toys, namely, toy action figures and action figure accessories;

### Services

#### Class 35

(1) Electronic commerce services, namely, providing online retail store and mail order services, all featuring computer games, music, clothing, books, movies, DVDs, mouse pads, toys, games, compact discs, and CD-ROMs;

#### Class 41

(2) Entertainment services in the nature of an on-line interactive game provided by means of a global computer network; entertainment services, namely, the provision of continuing programs, segments, movies and shows cartoons delivered by television, radio, satellite and the internet; production and distribution of motion pictures;

### Claims

Priority Filing Date: February 21, 2018, Country or Office: UNITED STATES OF AMERICA, Application No: 87/805,808 in association with the same kind of goods and in association with the same kind of services

**Application Number** 1,915,731  
**Language of Application** English

**Filing Date** 2018-08-20

## APPLICANT AND AGENT DETAILS

### Applicant

JAM CITY, INC.  
3525 Eastham Drive  
Culver City, CA 90232  
UNITED STATES OF AMERICA

### Agent

SMART & BIGGAR LLP  
1100-150 York street, TORONTO, ONTARIO,  
M5H3S5

## TRADEMARK DETAILS

# WILD THINGS: ANIMAL ADVENTURE

### Trademark Type

Word

### Goods

#### Class 09

Computer game software; downloadable computer game software; computer game software for use on mobile and cellular phones

### Services

#### Class 41

Providing online computer games; providing online computer games through social media websites

### Claims

Priority Filing Date: February 21, 2018, Country or Office: UNITED STATES OF AMERICA,  
Application No: 87/806,235 in association with the same kind of goods and in association with the same kind of services

**Application Number** 1,915,736  
**Language of Application** English

**Filing Date** 2018-08-20

## APPLICANT AND AGENT DETAILS

### Applicant

Roto Frank Fenster- und Türtechnologie GmbH  
Wilhelm-Frank-Platz 1  
D-70771 Leinfelden-Echterdingen  
GERMANY

### Agent

SMART & BIGGAR IP AGENCY CO.  
SUITE 900, 55 METCALFE STREET, P.O.  
BOX 2999, STATION D, OTTAWA, ONTARIO,  
K1P5Y6

## TRADEMARK DETAILS

### Trademark Type

Design

### Visual Representation



### Goods

#### Class 06

(1) Fittings of metal for windows and doors, namely, hinge plates, hinges, corner supports, espagnolette rods, corner guides, rosettes, plates and covering caps; bolts of metal and strikers of metal for locking windows and doors; door and window handles of metal; stays of metal for window sashes and door sashes; manually operated locks of metal for windows and doors; cylinder-operated and handle-operated locks of metal for windows and doors; force-transfer devices of metal for opening and closing of windows and doors, namely, couplings, corner drives, stay arms, scissor stays, mechanical gears, connectors and drive rods.

(2) Building materials of metal, namely, metal profiles; prefabricated roof sections and covering frames of metal; windows of metal, namely, façade windows, conservatory windows, roof windows, windows for installation in inclined surfaces, residential loft windows; windows of metal for renovation purposes; sliding windows of metal; doors (not for vehicles) of metal, namely, sliding doors, fire doors; gates of metal; parts of the aforesaid windows, doors and gates, namely, frames of metal, and window, door and gate leaves of metal; folding shutters of metal for windows and doors; roller shutters of metal for windows and doors; parts of the aforesaid roller shutters, namely, roller shutter housings of metal, roller shutter rails of metal, roller shutter slats of metal; roller blinds and jalousies of metal, fly screens of metal; staircases of metal; metal spiral staircases; metal loft ladders; parts of the aforesaid staircases and ladders, namely, staircase banisters of metal, stair treads of metal, stair stringers of metal; fittings of metal for staircases; covers of metal for ceiling openings for ladders; fittings of metal for folding shutters, roller blinds, venetian blinds and for roller shutters; window and door knobs of metal; non-electric window closers and door closers of metal; manually operated locks of metal for windows and doors, namely, tubular frame locks and mortise locks; non-electric automatic locks of metal for windows and doors; lock cylinders of metal; rods of

metal for manually operating roller blinds; railings of metal for building purposes, wall claddings of metal, fire protection gratings and screens of metal, ladders of metal, scaffolding of metal, walkways of metal, safety gratings of metal, partition walls of metal; panels of metal used for sight protection on buildings.

### **Class 17**

(3) Sealing strips, sealing tapes, non-metallic sealing profiles, sealing membranes, sealing compounds, all for use on windows, doors and structural elements for buildings, namely, gates, stairs, ventilation flaps, hinged shutters for windows and doors, roller shutters for windows and doors, roller blinds for windows and doors, jalousies for windows and doors, fly screens for windows and doors, venetian blinds for windows and doors; polyurethane foam for packing, moulded foam and plastic chips for packing, plastic films for packing, all for use on windows, doors and structural elements for buildings, namely, gates, stairs, ventilation flaps, hinged shutters for windows and doors, roller shutters for windows and doors, roller blinds for windows and doors, jalousies for windows and doors, fly screens for windows and doors, venetian blinds for windows and doors; insulating bands, insulating foils, insulating fleeces, insulating fabrics, insulating sheets, insulating matting, insulating foam, stone wool for insulation, glass wool for insulation, mineral wool for insulation, foam glass for insulation, mineral fibres for insulation, all for use on windows, doors and structural elements for buildings, namely, gates, stairs, ventilation flaps, hinged shutters for windows and doors, roller shutters for windows and doors, roller blinds for windows and doors, jalousies for windows and doors, fly screens for windows and doors, venetian blinds for windows and doors.

### **Class 19**

(4) Non-metallic building materials, namely, timber profiles and plastic sections; glass for building purposes, namely, insulating glass for building purposes, insulating glass panes, window glass, building glass for façades, toughened safety glass, laminated safety glass; skylight windows of glass; fire-resistant, radiation protective, light-protective, acoustic and heat protective panes of glass for building purposes; non-metallic prefabricated roof segments and covering frames; non-metallic windows, namely, façade windows, conservatory windows, roof windows, windows for installation in inclined surfaces, residential loft windows; non-metallic windows for renovation purposes; non-metallic sliding windows, non-metallic doors (not for vehicles), namely, sliding doors; non-metallic gates; parts of the aforesaid windows, doors and gates, namely, non-metallic frames, and non-metallic window, door and gate leaves; non-metallic folding shutters for windows and doors; outdoor roller shutters for windows and doors, not of metal and not of textile; parts of the aforesaid roller shutters, namely, non-metallic roller shutter housings, non-metallic roller shutter rails, non-metallic slats for external roller shutters; outdoor roller blinds and jalousies, not of metal and not of textile, non-metallic fly screens; non-metallic staircases, spiral staircases and loft stairs; parts of the aforesaid staircases, namely, non-metallic staircase banisters, non-metallic stair treads, non-metallic stair stringers; non-metallic covers for ceiling openings for ladders; non-metallic railings for building purposes, non-metallic scaffolding, non-metallic walkways, non-metallic safety gratings, non-metallic partition walls, non-metallic panels used for sight protection on buildings.

### **Class 20**

(5) Fittings of plastic for folding shutters, roller blinds, venetian blinds and for roller shutters; fittings of plastic for windows and doors, namely, hinge plates, hinges, corner supports, espagnolette rods, corner guides, rosettes, plates and covering caps; bolts of plastic and strikers of plastic for locking windows and doors; door and window handles of plastic; non-metallic window and door knobs; stays of plastic for window sashes and door sashes; manually operated locks of plastic for

windows and doors; cylinder-operated and handle- operated locks of plastic for windows and doors; automatic locks of plastic for windows and doors; lock cylinders of plastic; non-metallic force transfer devices for opening and closing of windows and doors, namely, couplings, corner drives, stay arms, scissor stays, mechanical gears, connectors and drive rods; non- metallic ladders; indoor window blinds of textile materials.

## **Services**

### **Class 38**

Services of an online provider, namely, provision of access to information and other data, relating to the design, installation, operation and pricing of windows, doors and fittings for windows and doors, in particular, to teaching and learning media and multimedia learning modules, on computer networks and on the Internet relating to the design, installation, operation and pricing of windows, doors and fittings for windows and doors; services of an online provider, namely, communication of information and other data relating to the design, installation, operation and pricing of windows, doors and fittings for windows and doors, in particular of teaching and learning media and multimedia learning modules, on computer networks and on the Internet relating to the design, installation, operation and pricing of windows, doors and fittings for windows and doors; rental of access time to information on computer networks relating to the design, installation, operation and pricing of windows, doors and fittings for windows and doors; provision of access to interactive Internet forums; provision of chat rooms on the Internet; provision of access to an Internet website featuring marketplaces for windows, doors and fittings for windows and doors; transmission of visual presentations relating to windows, doors and fittings for windows and doors by means of computer and television; broadcasting of television and radio programmes, also via cable.

**Application Number** 1,915,754  
**Language of Application** English

**Filing Date** 2018-08-20

## APPLICANT AND AGENT DETAILS

### Applicant

This Bar Saves Lives LLC  
12211 W Washington Blvd, Suite 102  
Los Angeles, CA 90066  
UNITED STATES OF AMERICA

### Agent

MILTONS IP/P.I.  
15 Fitzgerald Rd, Suite 200, Ottawa,  
ONTARIO, K2H9G1

## TRADEMARK DETAILS

# THIS BAR SAVES LIVES

### Trademark Type

Word

### Goods

#### Class 30

granola bars, granola-based snack bars, granola-based snack food, cereal bars, cereal-based snack bars, cereal-based snack food

**Application Number** 1,915,756  
**Language of Application** English

**Filing Date** 2018-08-20

## APPLICANT AND AGENT DETAILS

### Applicant

2149823 Alberta Ltd.  
Suite 2210  
8561-8 A Avenue SW  
Calgary  
ALBERTA  
T3H0V5

### Agent

NORTON ROSE FULBRIGHT CANADA LLP/S.  
E.N.C.R.L.,S.R.L.  
3700 CANTERRA TOWER, 400 - THIRD  
AVENUE S.W., CALGARY, ALBERTA, T2P4H2

## TRADEMARK DETAILS

### Trademark Type

Design

### Visual Representation



### Services

#### Class 35

- (1) Retail sale of natural stone veneer; Retail sale of landscaping stone
- (2) Retail sale of stone panel; Retail sale of stone tile; Retail sale of full bed stone, namely building stone greater than two inches in depth



**Application Number** 1,915,764  
**Language of Application** English

**Filing Date** 2018-08-20

## APPLICANT AND AGENT DETAILS

### Applicant

Mahindra Vehicle Sales & Service, Inc.  
1055 W. Square Lake Road  
Troy, MI 48098  
UNITED STATES OF AMERICA

### Agent

DICKINSON WRIGHT LLP  
199 Bay Street, Suite 2200, P.O. Box 447,  
Commerce Court : Postal Station, Toronto,  
ONTARIO, M5L1G4

## TRADEMARK DETAILS

# ROXIT

### Trademark Type

Word

### Goods

#### Class 09

Computer software for use in database management; Database management software for vehicle sales.

### Claims

Priority Filing Date: March 15, 2018, Country or Office: UNITED STATES OF AMERICA,  
Application No: 87835415 in association with the same kind of goods

**Application Number** 1,915,813  
**Language of Application** English

**Filing Date** 2018-08-20

## APPLICANT DETAILS

### Applicant

SHENZHEN SEN HAI CHUANG FU  
TECHNOLOGY Ltd.  
5B-1202 QIAO XIAN GONG GUAN  
QIAO XIAN RD  
SHENZHEN  
CHINA

## TRADEMARK DETAILS

# SENHAI

### Trademark Type

Word

### Goods

#### Class 06

(1) towel hooks of metal

#### Class 08

(2) knives, forks and spoons

#### Class 09

(3) audio speakers; audio/video cable connectors; audio/video cables; camcorder cases; cases adapted for video cameras; computer cables; computer mouse; computer mouse mats; computer speakers; connecting electrical cables; data cables; microphone cables; protective cases for cell phones; protective cases for cellular phones; protective cases for e-book readers; protective cases for electronic book readers; protective cases for mobile phones; protective cases for personal digital assistants; protective cases for tablet computers; protective covers for e-book readers; protective covers for electronic book readers; protective covers for smartphones; speakers for computers; sport whistles; sports whistles; USB cables; wireless computer mice

#### Class 20

(4) curtain hooks; shower curtain hooks

#### Class 21

(5) brushes for cleaning tanks and containers; brushes for washing up; cake molds; cookery molds; cookery molds [moulds]; ice cube molds; kitchen scrubbing brushes; pastry molds; toilet brushes

(6) drinking straws; straws for drinking

**Application Number** 1,915,824  
**Language of Application** English

**Filing Date** 2018-08-20

## **APPLICANT DETAILS**

### **Applicant**

Ameet Khabra Marketing Inc.  
151 Edwards Drive SW, 402  
Edmonton  
ALBERTA  
T6X1N5

## **TRADEMARK DETAILS**

# **Hop Skip Media**

### **Trademark Type**

Word

### **Services**

#### **Class 35**

advertising agencies; advertising agency services; advertising and business management consultancy; advertising on the Internet for others; online advertising for others via a computer communications network

**Application Number** 1,915,825  
**Language of Application** English

**Filing Date** 2018-08-20

## **APPLICANT AND AGENT DETAILS**

### **Applicant**

Mattel, Inc.  
333 Continental Boulevard  
El Segundo, CA 90245  
UNITED STATES OF AMERICA

### **Agent**

CASSELS BROCK & BLACKWELL LLP  
SCOTIA PLAZA, SUITE 2100, 40 KING  
STREET WEST, TORONTO, ONTARIO,  
M5H3C2

## **TRADEMARK DETAILS**

# **CODE 'N LEARN KINDERBOT**

### **Trademark Type**

Word

### **Goods**

#### **Class 28**

Electronic learning toys, children's multiple activity toys; toy robot

**Application Number** 1,915,833  
**Language of Application** English

**Filing Date** 2018-08-20

## APPLICANT AND AGENT DETAILS

### Applicant

Weight Watchers International, Inc.  
675 Avenue of the Americas  
6th Floor  
New York, NY 10010  
UNITED STATES OF AMERICA

### Agent

OSLER, HOSKIN & HARCOURT LLP  
SUITE 6200, P.O. BOX 50, 1 FIRST  
CANADIAN PLACE, TORONTO, ONTARIO,  
M5X1B8

## TRADEMARK DETAILS

### Trademark Type

Design

### Visual Representation



### Goods

#### Class 07

(1) Electric food blenders, electric juicers

#### Class 11

(2) Air fryers, electric food steamers, electric egg cookers, electric grills, electric slow cookers and electric pressure cookers

### Claims

Priority Filing Date: March 02, 2018, Country or Office: JAMAICA, Application No: 74,522 in association with the same kind of goods

**Application Number** 1,915,894  
**Language of Application** English

**Filing Date** 2018-08-21

## APPLICANT AND AGENT DETAILS

### Applicant

THE CABIN DEPOT LTD.  
2441 Route 102  
Lincoln  
NEW BRUNSWICK  
E3B7E7

### Agent

MICHAEL MELVIN  
(McINNES COOPER), Barker House, suite  
600, 570 Queen Street, PO Box 610,  
Fredericton, NEW BRUNSWICK, E3B5A6

## TRADEMARK DETAILS

# KEDRON

### Trademark Type

Word

### Goods

#### Class 09

(1) electric storage batteries

#### Class 11

(2) LED light bulbs

**Application Number** 1,915,904  
**Language of Application** English

**Filing Date** 2018-08-21

## APPLICANT AND AGENT DETAILS

### Applicant

Washing Systems, LLC  
167 Commerce Drive  
Loveland, OH 45140  
UNITED STATES OF AMERICA

### Agent

GEOFFREY J. NORTH  
(anticIPate Law), 4 Ironside Court, Ottawa,  
ONTARIO, K2K3H6

## TRADEMARK DETAILS

# TRUpath

### Trademark Type

Word

### Services

#### Class 37

providing laundry washing services

### Claims

Priority Filing Date: February 23, 2018, Country or Office: UNITED STATES OF AMERICA,  
Application No: 87808168 in association with the same kind of services

**Application Number** 1,915,906  
**Language of Application** English

**Filing Date** 2018-08-21

## APPLICANT AND AGENT DETAILS

### Applicant

Washing Systems, LLC  
167 Commerce Drive  
Loveland, OH 45140  
UNITED STATES OF AMERICA

### Agent

GEOFFREY J. NORTH  
(antiIPate Law), 4 Ironside Court, Ottawa,  
ONTARIO, K2K3H6

## TRADEMARK DETAILS

# Enlite

### Trademark Type

Word

### Goods

#### Class 01

enzyme preparations for use in the detergents industry

### Claims

Priority Filing Date: February 21, 2018, Country or Office: UNITED STATES OF AMERICA,  
Application No: 87804758 in association with the same kind of goods



**Application Number** 1,915,909  
**Language of Application** English

**Filing Date** 2018-08-21

## APPLICANT AND AGENT DETAILS

### Applicant

Washing Systems, LLC  
167 Commerce Drive  
Loveland, OH 45140  
UNITED STATES OF AMERICA

### Agent

GEOFFREY J. NORTH  
(anticIPate Law), 4 Ironside Court, Ottawa,  
ONTARIO, K2K3H6

## TRADEMARK DETAILS

# Motion

### Trademark Type

Word

### Goods

#### Class 03

laundry detergent

### Claims

Priority Filing Date: February 21, 2018, Country or Office: UNITED STATES OF AMERICA,  
Application No: 87804770 in association with the same kind of goods

**Application Number** 1,916,015  
**Language of Application** English

**Filing Date** 2018-08-21

## APPLICANT AND AGENT DETAILS

### Applicant

Sompo International Holdings Ltd.  
Waterloo House  
100 Pitts Bay Road  
Pembroke HM08  
BERMUDA

### Agent

GOWLING WLG (CANADA) LLP  
SUITE 1600, 1 FIRST CANADIAN PLACE, 100  
KING STREET WEST, TORONTO, ONTARIO,  
M5X1G5

## TRADEMARK DETAILS

# REVENUELOCK

### Trademark Type

Word

### Services

#### Class 35

(1) Business risk management; business risk management consultation

#### Class 36

(2) Financial risk management; financial risk management consultation; reinsurance underwriting; insurance services, namely, writing property and casualty insurance; financial instrument trading, namely, derivatives transactions in the field of weather

### Claims

Priority Filing Date: February 28, 2018, Country or Office: UNITED STATES OF AMERICA,  
Application No: 87813906 in association with the same kind of services

**Application Number** 1,916,019  
**Language of Application** English

**Filing Date** 2018-08-21

## **APPLICANT AND AGENT DETAILS**

### **Applicant**

David Briggs Enterprises, Inc.  
1115 N. Causeway Blvd., Suite 200  
Mandeville, LA 70471  
UNITED STATES OF AMERICA

### **Agent**

BERESKIN & PARR LLP/S.E.N.C.R.L., S.R.L.  
SCOTIA PLAZA, 40 KING STREET WEST,  
40th FLOOR, TORONTO, ONTARIO, M5H3Y2

## **TRADEMARK DETAILS**

# **FAT TUESDAY**

### **Trademark Type**

Word

### **Services**

#### **Class 43**

Bar and restaurant services

**Application Number** 1,916,029  
**Language of Application** English

**Filing Date** 2018-08-21

## APPLICANT AND AGENT DETAILS

### Applicant

Deutsche Steinzeug Cremer & Breuer AG  
Servaisstr. 9  
53347 Alfter  
GERMANY

### Agent

ROBIC  
630, boul. René-Lévesque Ouest, 20e étage,  
Montréal, QUEBEC, H3B1S6

## TRADEMARK DETAILS

# KeraYou

### Trademark Type

Word

### Goods

#### Class 06

Building boards of metal, building panels of metal; metal flanges, metal hinges, metal beams, metal structural beams, bolts of metal, beams of metal, angle irons of metal; spacer brackets of metal; rivets, cramps and nails of metal; steel rails, ceiling supports of metal, bars of metal railings, metal brackets for use in the construction and assembly of decking, spacers of metal, steel frames for building, wall linings of metal for building, linings of metal for building purposes; tile floorings of metal; wall claddings of metal;

**Application Number** 1,916,035  
**Language of Application** English

**Filing Date** 2018-08-21

## **APPLICANT AND AGENT DETAILS**

### **Applicant**

Princess Cruise Lines, Ltd.  
24305 Town Center Drive  
Santa Clarita, CA 91355  
UNITED STATES OF AMERICA

### **Agent**

DEETH WILLIAMS WALL LLP  
150 YORK STREET, SUITE 400, TORONTO,  
ONTARIO, M5H3S5

## **TRADEMARK DETAILS**

# **ENCHANTED PRINCESS**

### **Trademark Type**

Word

### **Services**

#### **Class 39**

cruise ship services; travel and tour arrangement services

### **Claims**

Priority Filing Date: August 20, 2018, Country or Office: UNITED STATES OF AMERICA,  
Application No: 88084376 in association with the same kind of services

**Application Number** 1,916,036  
**Language of Application** English

**Filing Date** 2018-08-21

## APPLICANT AND AGENT DETAILS

### Applicant

MARY KAY INC.  
16251 Dallas Parkway  
Addison, TX 75001  
UNITED STATES OF AMERICA

### Agent

DEETH WILLIAMS WALL LLP  
150 YORK STREET, SUITE 400, TORONTO,  
ONTARIO, M5H3S5

## TRADEMARK DETAILS

# MK POWER POTION

### Trademark Type

Word

### Goods

#### Class 03

cosmetics; cosmetics sold as an integral component of non-medicated skincare preparations; eye cream; facial moisturizers; non-medicated skin care preparations; non-medicated toiletries, namely, shower gel, body soap, body wash, shaving soap, and shower crème; skin creams

### Claims

Priority Filing Date: August 02, 2018, Country or Office: UNITED STATES OF AMERICA,  
Application No: 88064265 in association with the same kind of goods

**Application Number** 1,916,121  
**Language of Application** English

**Filing Date** 2018-08-21

## APPLICANT DETAILS

### Applicant

Avneet Shelley Sarin  
4 Pierce Crt  
Midhurst  
ONTARIO  
L9X0J4

## TRADEMARK DETAILS

# Your path home

### Trademark Type

Word

### Services

#### Class 35

(1) real estate sales management services

#### Class 36

(2) acquisition of real estate for others; ad valorem appraisals of real estate; appraisal of real estate; appraisals for insurance claims of real estate; arranging of leases and rental agreements for real estate; assessment and management of real estate; estate planning; estate trust management; estate trust planning; evaluation of real property; financial valuation of personal property and real estate; lease of real estate; leasing of real estate; on-line real-time currency trading; real estate agencies; real estate agency services; real estate appraisal; real estate appraisal and valuation; real estate appraisals; real estate brokerage; real estate brokers; real estate consultancy; real estate consultation; real estate investment; real estate investment services; real estate management; real estate management services; real estate syndication; real estate time sharing; real estate valuation services; rental of real estate; valuations in real estate matters

#### Class 37

(3) real estate development

#### Class 41

(4) arranging and conducting real estate conferences; workshops and seminars in the field of will and estate planning

#### Class 45

(5) legal research relating to real estate transactions

**Application Number** 1,916,123  
**Language of Application** English

**Filing Date** 2018-08-21

## **APPLICANT DETAILS**

### **Applicant**

Rite Brands Corp.  
2601 Wyandotte St E  
Windsor  
ONTARIO  
N8Y0A5

## **TRADEMARK DETAILS**

### **Trademark Type**

Design

### **Visual Representation**

The logo for NITERITE is displayed in a bold, italicized, black sans-serif font. The word "NITERITE" is written in all caps. A small, white, stylized hand icon is positioned within the letter "I".

### **Goods**

#### **Class 21**

household gloves for general use; latex gloves; plastic household gloves; rubber household gloves



**Application Number** 1,916,130  
**Language of Application** English

**Filing Date** 2018-08-22

## APPLICANT AND AGENT DETAILS

### Applicant

Shenzhen YUNMAI Technology Co., Ltd.  
Room 2201, Building B, Yangguang Kechuang  
Center, No. 1024 Nanxin Road  
Nanshan Street  
518054  
Nanshan District, Shenzhen  
CHINA

### Agent

WITMART INC.  
34 King Street East, Suite 500, Toronto,  
ONTARIO, M5C2X8

## TRADEMARK DETAILS

### Trademark Type

Design

### Visual Representation



### Goods

#### Class 09

Electronic weighing scales for personal use; Weighbridges; Electronic weighing scales for kitchen use; Scales with body mass analysers; Bathroom scales; Smart watches; Surveying instruments; Weighing scales for medical use; Baby scales; Wearable activity trackers

**Application Number** 1,916,137  
**Language of Application** English

**Filing Date** 2018-08-22

## APPLICANT DETAILS

### Applicant

DENBA CO.,Ltd  
CHIYODA-KU,KANDANISHIKICHO  
3-15-6 MEITETSUFUDOUSAN  
TAKEBASHI BLD 5F  
Tokyo  
JAPAN

## TRADEMARK DETAILS

### Trademark Type

Design

### Visual Representation

**DENBA**

### Goods

#### Class 10

(1) beds specially made for medical purposes; cases fitted for medical instruments; hyperbaric oxygen chambers for medical purposes; incubators for medical purposes; magnetic resonance imaging (MRI) diagnostic apparatus; massage beds for medical purposes; medical ultrasound apparatus; orthopedic belts; orthopedic bone implants; orthopedic braces; orthopedic corsets; orthopedic footwear; orthopedic girdles; orthopedic soles; orthopedic suspenders; oxygen monitors; sterilizers for medical use; surgical instruments; ultrasonic medical diagnostic apparatus; vibrators massagers

#### Class 11

(2) bath installations; beverage cooling and ice dispensing machines; beverage dispensing machines; cooling evaporators; cooling vats for furnaces; drinking fountains; electric cooking ovens for household purposes; electric cooking pots and pans; electric cooking stoves for household purposes; electric fans for household purposes; electric lamps; electric radiators; electric water purifiers for household purposes; fans for air conditioning units; freezers; ice-cooling refrigerators for household purposes; refrigerated shipping containers; refrigerating cabinets; refrigerators; solar collectors for heating; tap-water purifying apparatus; walk-in refrigerators; water fountains; water purification machines for domestic use

#### Class 29

(3) bean curd; bean curd sticks; candied nuts; canned fish; canned fruits; canned pork; canned seafood; crystallized fruit; dried edible mushrooms; dried fish; edible birds' nests; edible fats; eggs; extracts of poultry; fish; fish and meat preserves; flavored nuts; frozen fish; fruit jellies; fruit-based snack food; fruits preserved in alcohol; ground pork; lobster; milk; milk and milk products; milk

beverages with high milk content; milk powder; mixed vegetables; nut-based snack mixes; peanut butter; pork; pork rind; potato flakes; poultry; preserved fruit and vegetables; preserved fruits; puffed pork rind; roasted nuts; seaweed extracts for food; shrimps, prawns, and lobsters; soya milk; tinned fruits; tinned vegetables; tofu; tofu patties; tofu skin; tomato juice for cooking; vegetable based spread

**Class 31**

(4) aloe vera plants; animal feed; fresh betel nuts; fresh nuts; fresh oats; fresh vegetables; fresh watermelon; fruit seeds; live laboratory animals; live poultry; live shellfish; live shrimps; malt for brewing and distilling; mixed animal feed; oats; seeds for flowers; seeds for growing plants; seeds for vegetables; unprocessed oats

**Application Number** 1,916,146  
**Language of Application** English

**Filing Date** 2018-08-22

## APPLICANT AND AGENT DETAILS

### Applicant

MAGIC LEAP, INC.  
7500 W Sunrise Blvd.  
Plantation, FL 33322  
UNITED STATES OF AMERICA

### Agent

GOWLING WLG (CANADA) LLP  
SUITE 2600, 160 ELGIN STREET, OTTAWA,  
ONTARIO, K1P1C3

## TRADEMARK DETAILS

# L.E.A.P. CREATOR CONFERENCE

### Trademark Type

Word

### Services

#### Class 41

Educational services, namely, conducting conferences in the field of software development for mixed, augmented and virtual reality and distribution of course and educational materials in connection therewith; Educational services, namely, developing, arranging, and conducting educational conferences and programs and providing courses of instruction in the field of software development for mixed, augmented and virtual reality

### Claims

Priority Filing Date: February 23, 2018, Country or Office: UNITED STATES OF AMERICA, Application No: 87808207 in association with the same kind of services

**Application Number** 1,916,154  
**Language of Application** English

**Filing Date** 2018-08-22

## APPLICANT AND AGENT DETAILS

### Applicant

St. Supéry, Inc.  
8440 St. Helena Highway  
Rutherford, CA 94573  
UNITED STATES OF AMERICA

### Agent

GOWLING WLG (CANADA) LLP  
SUITE 1600, 1 FIRST CANADIAN PLACE, 100  
KING STREET WEST, TORONTO, ONTARIO,  
M5X1G5

## TRADEMARK DETAILS

# RU3

### Trademark Type

Word

### Goods

**Class 33**

wines

**Application Number** 1,916,382  
**Language of Application** English

**Filing Date** 2018-08-23

## APPLICANT AND AGENT DETAILS

### Applicant

Securian Financial Group, Inc.  
400 Robert Street North  
St. Paul, MN 55101  
UNITED STATES OF AMERICA

### Agent

BORDEN LADNER GERVAIS LLP  
Bay Adelaide Centre, East Tower, 22 Adelaide  
St. West, TORONTO, ONTARIO, M5H4E3

## TRADEMARK DETAILS

### Trademark Type

Design

### Visual Representation

 la première du canada

### Colour Claim

Colour is claimed as a feature of the trade-mark. The mark consists of a design made up of four circles and four curved lines, positioned to the left of the words 'la première du canada' shown in stylized font. The design is shown in dark green and light green, specifically: the circle shown at the top of the design, and the curved line positioned below it, and the circle shown at the bottom of the design, and the curved line positioned above it, are shown in dark green; the circle shown at the left of the design, and the curved line positioned to the right of it, and the circle shown on the right of the design, and the curved lined positioned to the left of it, are shown in light green. The words are shown in black.

### Services

#### Class 36

insurance services

**Application Number** 1,918,772  
**Language of Application** English

**Filing Date** 2018-09-07

## APPLICANT AND AGENT DETAILS

### Applicant

MARY KAY INC.  
16251 Dallas Parkway  
Addison, TX 75001-9045  
UNITED STATES OF AMERICA

### Agent

DEETH WILLIAMS WALL LLP  
150 YORK STREET, SUITE 400, TORONTO,  
ONTARIO, M5H3S5

## TRADEMARK DETAILS

# MARY KAY ULTRA STAY

### Trademark Type

Word

### Goods

#### Class 03

Cosmetics; cosmetics sold as an integral component of non-medicated skincare preparations; eye cream; facial moisturizers; non-medicated skin care preparations; non-medicated toiletries, namely, shower gel, body soap, body wash, shaving soap, and shower crème; skin creams

**Application Number** 1,919,693  
**Language of Application** French

**Filing Date** 2018-09-12

## APPLICANT AND AGENT DETAILS

### Applicant

L'OREAL, Société anonyme  
14 rue Royale  
75008 Paris  
FRANCE

### Agent

FASKEN MARTINEAU DUMOULIN LLP  
800 rue Square-Victoria, BUREAU 3700, C.P.  
242, MONTREAL, QUÉBEC, H4Z1E9

## TRADEMARK DETAILS

### Trademark Type

Design

### Visual Representation



**udhoney**  
LIP PLUMPER

### Goods

#### Class 03

Produits cosmétiques pour les lèvres.



**Application Number** 1,920,876  
**Language of Application** French

**Filing Date** 2018-09-19

## APPLICANT AND AGENT DETAILS

### Applicant

THELIOS FRANCE, entité légale  
24/32 rue Jean Goujon  
75008 PARIS  
FRANCE

### Agent

ROBIC  
630, boul. René-Lévesque Ouest, 20e étage,  
Montréal, QUÉBEC, H3B1S6

## TRADEMARK DETAILS

### Trademark Type

Design

### Visual Representation

### Goods

#### Class 03

(1) Multi-purpose cleaning preparations; soaps, namely soaps for personal use, cosmetic soaps, soaps for household use; perfumes, essential oils, namely essential oils for cosmetic purposes, for personal use, aromatics, cosmetics, hair lotions, shampoos; toothpastes; depilatories; make-up removal products; beauty masks; shaving products; nail care and embellishment products; bath and shower gels; bath salts; leather preservatives, namely leather preserving polishes; creams for leather.

#### Class 14

(2) Jewellery goods; jewellery items; costume jewellery; precious stones; horological and chronometric instruments, namely watches and clocks, stopwatches; precious metals and their alloys; works of art of precious metal; jewellery cases; boxes made of precious metals; watch cases, bands, chains, springs and crystals; novelty key holders; statues or figurines (statuettes) of precious metals; timepiece cases and boxes; medals; cufflinks; tie clips.

#### Class 18

(3) Leather and imitations of leather; animal skins, hides; trunks and suitcases; umbrellas, parasols and walking sticks; luggage; wallets; coin purses; card holders; key cases; leather and imitation leather bags; handbags; backpacks; school bags; vanity cases; collars and clothing for animals; leather and leatherboard boxes; leather and imitation leather envelopes; travel chests, bags and kits; garment bags for travel; key cases; leather bags (envelopes, pouches) for packaging.

#### Class 25

(4) Clothing, namely athletic wear, business clothing, outdoor winter clothing, swimwear, undergarments, sleepwear, evening wear, casual clothing, casual wear, footwear, namely outdoor winter shoes, leisure shoes, evening footwear, work shoes, casual footwear, leather shoes, dress shoes, casual shoes, headgear, namely hats and caps; clothing made of leather and imitation leather; belts (apparel); furs (clothing), namely fur coats and jackets, fur stoles; gloves (apparel); scarves; ties; hosiery, namely tights, stockings, lingerie; socks; soft slippers; sports shoes; underwear; bathing suits.

## **Services**

### **Class 35**

(1) Advertising, namely compilation, production and dissemination of advertising matter for others, dissemination of online advertising for others on electronic communications networks, advertising related to the goods and services of others conducted through all public communication means, magazine advertising for others, advertising for others on the Internet, television advertising for others; business management; business administration; office functions, namely office services, secretarial services; dissemination of advertising materials (tracts, flyers, printed matter, samples), namely distribution of advertising materials for others; newspaper subscription services for others; subscriptions to telecommunication services for others, namely subscription to a television channel, subscriptions to electronic newspapers; presentation of retail goods on all means of communication, namely sales demonstration for others; business organization and management advice; accounting; document reproduction; placement agencies; umbrella company services; computer file management; website traffic optimization; organization and holding of arts and crafts exhibitions for commercial and advertising purposes; online advertising on a computer network, namely dissemination of online advertising for others on electronic communications networks; rental of advertising time on the Internet; publishing of advertising copy; rental of advertising space; dissemination of advertisements for others; public relations; customer loyalty services for commercial, promotional and advertising purposes, namely administration of consumer loyalty programs, promotion of the sale of goods and services through a consumer loyalty program, organization and management of loyalty programs; loyalty card services; distribution (dissemination) of promotional coupons and advertising coupons, to be exchanged for goods and services; retail and wholesale services, in stores, by mail order and online (via a website) for the sale of soaps, essential oils, cosmetics, toiletry products and perfumery, toiletry and perfumery accessories (in the nature of fitted vanity cases, hair ornaments, perfume sprayers, perfume atomizers, fragrance refills), eyewear, jewellery goods, jewellery items, timepieces, bags, wallets, coin purses, key holders and other objects for transport, namely suitcases and trunks, articles of luggage, umbrellas and walking sticks, articles of clothing and footwear, headwear, all of the above-mentioned services not relating to hospital supplies.

### **Class 43**

(2) Fast and regular service restaurants (snack bars); self-service restaurants; cafeterias; coffee shops; catering services; bar services.

## **Claims**

Priority Filing Date: March 20, 2018, Country or Office: FRANCE, Application No: 4438630 in association with the same kind of goods and in association with the same kind of services

**Application Number** 1,922,306  
**Language of Application** English

**Filing Date** 2018-09-27

## APPLICANT AND AGENT DETAILS

### Applicant

HEXO OPERATIONS INC.  
3000 Solandt  
Ottawa  
ONTARIO  
K2K2X2

### Agent

SMART & BIGGAR LLP  
SUITE 900, 55 METCALFE STREET, P.O.  
BOX 2999, STATION D, OTTAWA, ONTARIO,  
K1P5Y6

## TRADEMARK DETAILS

# powered by HEXO

### Trademark Type

Word

### Goods

#### Class 01

(1) Cannabinoids for use in the manufacture of cosmetics, oils, dietary and nutritional supplements, food and beverages; plant extracts, namely, cannabidiol derived from hemp for use in the manufacture of cosmetics, soaps, oils, supplements, food and beverages

#### Class 03

(2) Non-medicated cosmetics and toiletry preparations, namely, shampoos, hair care preparations, body creams and lotions, body oils, and body deodorant, containing cannabinoids; non-medicated cosmetics and toiletry preparations, namely, shampoos, hair care preparations, body creams and lotions, body oils, and body deodorant, containing cannabidiol derived from hemp

#### Class 05

(3) Nutritional supplements for general health and well-being containing cannabinoids; nutritional supplements for general health and well-being containing cannabidiol derived from hemp; medicated cosmetics, medicated soaps, medicated oils, medicated supplements, medicated food and medicated beverages, namely, vitamin fruit jellies, granola bars, nutritional bars for boosting energy, cookies, muffins, brownies, potato chips, cereal-based snack food, popcorn, vitamin preparations in the form of meal replacement drinks and powders, electrolyte drinks for medical purposes, all containing cannabinoids and all for general health and well-being; medicated cosmetics, medicated soaps, medicated oils, medicated supplements, medicated food and medicated beverages, namely, vitamin fruit jellies, granola bars, nutritional bars for boosting energy, cookies, muffins, brownies, potato chips, cereal-based snack food, popcorn, vitamin preparations in the form of meal replacement drinks and powders, electrolyte drinks for medical purposes, all containing cannabidiol derived from hemp and all for general health and well-being; cannabis and hemp extracts for medical use

#### Class 09

(4) Electronic downloadable publications, namely, newsletters and magazines in the field of cannabis and cannabis extracts; weighing scales for the preparation of cannabis

**Class 18**

(5) Bags, namely, all-purpose carrying bags, backpacks, hand bags, sport bags, tote bags

**Class 21**

(6) pill bottles for the storage of cannabis; glass storage containers for cannabis products

**Class 25**

(7) Clothing, namely, shirts, sweaters, jackets, pants, dresses, skirts, undergarments, belts; footwear, namely, casual shoes, sandals, slippers; headwear, namely, hats, caps, toques

**Class 29**

(8) Processed nuts, namely, peanut butter, almond butter, cashew butter, processed edible seeds, namely, prepared sunflower seeds, sunflower seed butter, sesame seed butter, dried fruit, cheese, milk, chocolate milk, dried vegetables, fruit based snack food, and edible oils, all containing cannabis and cannabis derivatives, namely, cannabinoids; processed nuts, namely, peanut butter, almond butter, cashew butter, processed edible seeds, namely, prepared sunflower seeds, sunflower seed butter, sesame seed butter, dried fruit, cheese, milk, chocolate milk, dried vegetables, fruit-based snack food, and edible oils, all containing cannabidiol derived from hemp

**Class 30**

(9) Candy, chewing gum, cereal bars, snack bars, energy bars, biscuits, pastries and confectionery, namely, sugar confectionery, fruit-based confectionery, peanut confectionery, toffee, caramels, potato chips, chocolate confectionery, ice cream and sorbets, pretzels and popcorn, all containing cannabis and cannabis derivatives, namely, cannabinoids; candy, chewing gum, cereal bars, snack bars, energy bars, biscuits, pastries and confectionery, namely, sugar confectionery, fruit-based confectionery, peanut confectionery, toffee, caramels, potato chips, chocolate confectionery, ice cream and sorbets, pretzels and popcorn, all containing cannabidiol derived from hemp; tea, coffee, ready to drink tea based beverages, ready to drink coffee based beverages, all containing cannabis and cannabis derivatives, namely cannabinoids; tea, coffee, ready to drink tea based beverages, ready to drink coffee based beverages, all containing cannabidiol derived from hemp

**Class 31**

(10) Live cannabis plants, cannabis seeds, fresh cannabis; live hemp plants, hemp seeds

**Class 32**

(11) Non-alcoholic beverages containing cannabinoids, namely, mineral and aerated waters, fruit beverages and fruit juices, energy drinks, non-alcoholic beers, soft drinks, flavoured water; non-alcoholic beverages containing cannabidiol derived from hemp, namely, mineral and aerated waters, fruit beverages and fruit juices, energy drinks, non-alcoholic beers, soft drinks flavoured water

**Class 34**

(12) Cannabis accessories for the preparation, use and storage of cannabis, namely, water pipes, vaporizers, bongs, bowls, hookah, rolling papers, blunts, roach clips, lighters, torches, ashtrays, grinders, smokers' articles, namely, smoking pipes, pouches for use with cannabis, lighters for smokers; smokers' articles, namely, oral vaporizers for smokers; cannabis and marijuana for recreational use; derivatives of cannabis, namely, oils for recreational use; hemp derivatives, namely, oils for recreational use; dried cannabis; e-liquid for use with oral vaporizers; cartridges for use with oral vaporizers

**Services**

**Class 35**

(1) Retail, online and wholesale sale in the fields of hemp, hemp derivatives, recreational and medical cannabis, recreational and medical marijuana, cannabis derivative products, cannabis infused products, namely, food, beverages, skin care products, pharmaceutical products, natural health products, and cannabis accessories; advisory services relating to development, management and operation of businesses in the healthcare industry, the medical marijuana and cannabis industry, the marijuana and cannabis industry and high-technology industry; providing online directory information services relating to medical cannabis, medical marijuana and related, infused and derivative products and hemp, hemp derivatives and products containing hemp and hemp derivatives; organization, management and administration of customer and patient loyalty services; import and export of marijuana and cannabis and their related and derivative products to Government approved sources in other countries

**Class 42**

(2) Providing information on research related to medical marijuana and medical cannabis via a website; hosting a website that allows users to rate, review and make recommendations on recreational cannabis, medical marijuana and medical cannabis products and cannabis infused, related and derivative products, hemp and hemp derivatives and products containing hemp and hemp derivatives via a website; Scientific research and development in the field of hemp, hemp derivatives, medical marijuana, medical cannabis, marijuana, cannabis, their related products and derivatives for the development of therapeutics, and to target specific symptoms, diseases, illnesses and disorders; Development services of marijuana and cannabis products; Research and development in the field of cannabis

**Class 44**

(3) Operation of a medical and recreational cannabis dispensary; providing information on medical marijuana and medical cannabis, their related strains, cannabis infused products, related products and derivative products, hemp, hemp derivatives and products containing hemp and hemp derivatives via a website; providing information regarding indications and effects of particular cannabis strain via a website; consulting services including in the fields of medical use of marijuana, cannabis and their derivatives and hemp and hemp derivatives; cultivating, breeding, and growing of marijuana and cannabis

**Application Number** 1,922,389  
**Language of Application** English

**Filing Date** 2018-09-27

## APPLICANT AND AGENT DETAILS

### Applicant

Royal Bank of Canada - Banque Royale du  
Canada  
a/s RBC Law Group  
1 Place Ville Marie  
6th Floor - North Wing  
Montreal  
QUEBEC  
H3C3A9

### Agent

GOWLING WLG (CANADA) LLP  
SUITE 1600, 1 FIRST CANADIAN PLACE, 100  
KING STREET WEST, TORONTO, ONTARIO,  
M5X1G5

## TRADEMARK DETAILS

# RBC INSIGHT

### Trademark Type

Word

### Goods

#### Class 09

Downloadable mobile application for mobile phones and computer tablets available to clients featuring in depth information and reports on economics.

### Services

#### Class 35

Providing in depth information and reports on economics to clients via a web-based research portal.

**Application Number** 1,922,945  
**Language of Application** English

**Filing Date** 2018-10-01

## APPLICANT AND AGENT DETAILS

### Applicant

Blitz 18-354 GmbH  
Petuelring 130  
80809 München  
GERMANY

### Agent

SMART & BIGGAR LLP  
1100-150 York street, TORONTO, ONTARIO,  
M5H3S5

## TRADEMARK DETAILS

# JURBEY MOVE

### Trademark Type

Word

### Goods

#### Class 09

computer software for providing information on transportation services, namely, for providing parking spaces for vehicles and for providing information on charging stations which supply and distribute energy to electric vehicles; mobile apps for coordinating passenger and vehicle transportation services, for ridesharing, for ride-hailing, for car-sharing, for car rentals, and for locating and booking car parking spaces; charging stations for electric vehicles; power distributors, namely, power distribution panels, distribution boxes for electrical power, distribution transformers, electrical distribution boxes, electrical power distribution blocks and electricity distribution consoles and parts for the aforesaid; power regulating apparatus, namely, induction voltage regulators, voltage regulators for electric power, electrical power connectors and highfrequency switching power supplies and parts for the aforesaid; power distributing boxes and parts for the aforesaid; power supply devices, namely, voltage stabilizing power supply, power supply connectors and adaptors for use with portable electronic devices, namely, portable computers, portable radios, portable telephones, and power supply connectors and adaptors for use with electric vehicles and parts for the aforesaid; battery charging devices, namely, automotive battery chargers and mobile telephone battery chargers for use in vehicles and parts for the aforesaid; batteries for vehicles and parts for the aforesaid; recorded data for use in vehicles, namely, pre-recorded data carriers, namely, flash drives and external computer hard drives containing use in navigation systems, namely, global positioning systems (GPS) and parts for the aforesaid; recorded data for use in charging devices, namely, pre-recorded data carriers, namely, flash drives and external computer hard drives and parts for the aforesaid; data storage devices, namely, external hard drives, hard drives for computer, USB flash drives, random access memory cards and blank flash memory cards and parts for the aforesaid; computer hardware and computer software for database management and parts for the aforesaid; computer hardware for data processing and parts for the aforesaid; information technology, audio-visual, multi-media and photographic devices, namely, cameras, mobile telephones, laptops, tablet computers, and handheld computers and parts for the aforesaid; network communication devices, namely, communications computers and mobile telephones and parts for the aforesaid; electric and electronic components, namely, electric wires, electrical cables, electric connectors, power switches, and circuit breakers and parts for the aforesaid; optical devices and equipment, namely, optical transmitters, optical sensors, optical

receivers, optical fibers, optical cables, optical disc drives, and optical scanners and parts for the aforesaid; amplifying apparatus and correctors, namely, aerial amplifiers, audio amplifiers, power amplifiers, acoustic amplifiers and parts for the aforesaid; measuring, detection and monitoring instruments, devices and controllers, namely, battery performance monitors, vehicle detection equipment consisting of display monitors, computers, images sensors, video cameras, operating systems and application software to detect vehicle location and parts for the aforesaid; electric and electronic monitoring, control, diagnosis and safety apparatus and instruments, namely, vehicle safety equipment consisting of electronic vibration shock, motion, angle, temperature and voltage monitors, electric control panels, electrical control systems for lighting systems and parts for the aforesaid; navigation, orientation, location tracking, target tracking and mapping devices, namely, global positioning system (GPS) consisting of computers, computer software, transmitters, receivers, and network interface devices and parts for the aforesaid

## **Services**

### **Class 35**

(1) procurement of contracts for others for the provision of transportation services, in particular rental of vehicles, providing of parking spaces and vehicle parking as well as travel route planning and navigation services, namely, positioning, route and course plotting and planning, procurement of contracts for others for the purchase of electrical energy; advertising, marketing and sales promotion, namely, advertising agency services, business marketing consulting services and marketing research; arranging of business contacts, namely, provision of commercial and business contact information; assistance in business matters, namely, commercial assistance in business management and assistance in business administrative services; business administration; professional business analysis, research and information services, namely, analysis of market research data and statistics, financial statement preparation and analysis for businesses, market analysis and research services and profit survey and analysis; market research; rental, lease and usufructuary lease of publicity material, namely, flyers, posters, advertising leaflets, advertising pamphlets, of advertising space, advertising time on communication media, automatic dispensers, vending machines, sales stands, billboards, namely, advertising boards, sales stands in traveling fairs

### **Class 38**

(2) Telecommunication services, namely, provision of on-line access to applications programs for mobile devices, namely, mobile phones, laptop computers, personal digital assistants (PDAs) for the provision of transportation services, namely, making reservations and bookings for transportation of passengers and travelers, for booking of parking spaces for vehicles, for providing parking spaces for vehicles and for the supply and distribution of energy to electric vehicles and consultancy and information regarding the aforesaid services, namely, telecommunications consultation; provision of information in the field of transportation services, namely, making reservations and bookings for transportation of passengers and travelers, for booking of parking spaces for vehicles, for providing parking spaces for vehicles and supplying energy to electric vehicles, via websites and Internet portals and consultancy and information regarding the aforesaid services, namely, telecommunications consultation; rental, lease and usufructuary lease of telecommunication equipment, namely, telephones and access time to global computer networks and consultancy and information regarding the aforesaid services, namely, telecommunications consultation

### **Class 39**

(3) Distribution of electricity by cables through vehicle charging stations and consultancy and information regarding the aforesaid services, namely, transportation consultancy; supply of energy,



namely, the supply of electricity via motor vehicle charging stations and consultancy and information regarding the aforesaid services, namely, transportation consultancy; distribution of energy, namely, providing electrical energy and natural gas to residential and commercial users and consultancy and information regarding the aforesaid services, namely, transportation consultancy; transportation services, namely, making reservations and bookings for transportation by land vehicles and consultancy and information regarding the aforesaid services, namely, transportation consultancy; transportation and delivery of goods by vehicle and truck and consultancy and information regarding the aforesaid services, namely, transportation consultancy; land vehicle freight and people transportation brokerage and consultancy and information regarding the aforesaid services, namely, transportation consultancy; transportation of passengers and travelers by land vehicles and consultancy and information regarding the aforesaid services, namely, transportation consultancy; arranging and conducting of sightseeing tours, travels and trips as well as escorting travelers, tour guiding and consultancy and information regarding the aforesaid services, namely, transportation consultancy; rescue transport of automobiles, towing and automobile salvage services and consultancy and information regarding the aforesaid services, namely, transportation consultancy; packaging and storage of vehicles and vehicle parts and accessories and consultancy and information regarding the aforesaid services, namely, transportation consultancy; parking, storage and garaging of vehicles; rental of parking spaces for vehicles and consultancy and information regarding the aforesaid services, namely, transportation consultancy; provision of information on parking spaces for vehicles and consultancy and information regarding the aforesaid services, namely, transportation consultancy; travel route planning, namely, GPS navigation services and consultancy and information regarding the aforesaid services, namely, transportation consultancy; GPS navigation services, namely, positioning, route and course plotting and planning and consultancy and information regarding the aforesaid services, namely, transportation consultancy; provision of travel route information, namely, providing directions for travel and consultancy and information regarding the aforesaid services, namely, transportation consultancy; booking of transportation services, namely, coordinating travel arrangements for individuals and for groups and consultancy and information regarding the aforesaid services, namely, transportation consultancy; rental, lease and usufructuary lease of automobiles, cars, garages, parking lots, parking places, parking sites in the nature of parking spaces, vehicles, motor racing cars, GPS navigational systems and consultancy and information regarding the aforesaid services, namely, transportation consultancy; procurement of contracts for others for the provision of transportation services, in particular packaging and storage of vehicles and vehicle parts and accessories and consultancy and information regarding the aforesaid services, namely, transportation consultancy; procurement of contracts for others for the provision of transportation services, in particular courier services by vehicle and consultancy and information regarding the aforesaid services, namely, transportation consultancy

#### **Class 42**

(4) Rental of software, all aforesaid services in particular in connection with software for the provision of transportation services, namely, making reservations and bookings for transportation of passengers and travelers, for booking of parking spaces for vehicles, providing parking spaces for vehicles and the supply and distribution of energy to electrical vehicles and consultancy and information regarding the aforesaid services included in this class, namely, computer software consultancy; provision of temporary use of nondownloadable software for providing information on transportation services, namely, making reservations and bookings for transportation of passengers and travelers, for booking of parking spaces for vehicles. for providing information and locations of available parking spaces for vehicles and for providing information on charging stations which supply and distributing energy to electric vehicles, all aforesaid services in particular

in connection with software for the provision of transportation services, namely, making reservations and bookings for transportation of passengers and travelers, for booking of parking spaces for vehicles, providing parking spaces for vehicles and the supply and distribution of energy to electrical vehicles and consultancy and information regarding the aforesaid services included in this class, namely, computer software consultancy; provision of software for use, namely, providing temporary use of non-downloadable software for database management, the aforesaid services in particular in connection with software for the provision of transportation services, namely, making reservations and bookings for transportation of passengers and travelers, for booking of parking spaces for vehicles, providing parking spaces for vehicles and the supply and distribution of energy to electrical vehicles and consultancy and information regarding the aforesaid services included in this class, namely, computer software consultancy; rental, lease and usufructuary lease of software, computers, web servers, all aforesaid services in particular in connection with software for the provision of transportation services, namely, making reservations and bookings for transportation of passengers and travelers, for booking of parking spaces for vehicles, providing parking spaces for vehicles and the supply and distribution of energy to electrical vehicles and consultancy and information regarding the aforesaid services, namely, computer software consultancy; rental, lease and usufructuary lease of telecommunication equipment, namely, network servers, network routers and consultancy and information regarding the aforesaid services, namely, telecommunications consultation

**Claims**

Priority Filing Date: April 04, 2018, Country or Office: GERMANY, Application No: DE 30 2018 008 701 in association with the same kind of goods and in association with the same kind of services

**Application Number** 1,925,515  
**Language of Application** English

**Filing Date** 2018-10-16

## APPLICANT AND AGENT DETAILS

### Applicant

Rockermama, LLC  
200 Spectrum Center Dr.  
Irvine, CA 92618  
UNITED STATES OF AMERICA

### Agent

ROWAND LLP  
Suite 2302, 401 Bay Street, PO Box 56,  
Toronto, ONTARIO, M5H2Y4

## TRADEMARK DETAILS

# READY ROCKER

### Trademark Type

Word

### Goods

#### Class 20

Portable back support, not for medical use, for creating a rebounding motion through use on or with furniture or other stationary structures or support.

### Claims

Priority Filing Date: April 16, 2018, Country or Office: UNITED STATES OF AMERICA, Application No: 87/878,583 in association with the same kind of goods

**Application Number** 1,925,517  
**Language of Application** English

**Filing Date** 2018-10-16

## APPLICANT AND AGENT DETAILS

### Applicant

Rockermama, LLC  
200 Spectrum Center Dr., Suite 300  
Irvine, CA 92618  
UNITED STATES OF AMERICA

### Agent

ROWAND LLP  
Suite 2302, 401 Bay Street, PO Box 56,  
Toronto, ONTARIO, M5H2Y4

## TRADEMARK DETAILS

### Trademark Type

Design

### Visual Representation



### Goods

#### Class 20

Portable back support, not for medical use, for creating a rebounding motion through use on or with furniture or other stationary structures or support.

### Claims

Priority Filing Date: April 27, 2018, Country or Office: UNITED STATES OF AMERICA, Application No: 87/898,581 in association with the same kind of goods

**Application Number** 1,926,711  
**Language of Application** English

**Filing Date** 2018-10-23

## **APPLICANT AND AGENT DETAILS**

### **Applicant**

The Manufacturers Life Insurance Company  
200 Bloor St. East, NT-10  
Toronto  
ONTARIO  
M4W1E5

### **Agent**

BORDEN LADNER GERVAIS LLP  
Bay Adelaide Centre, East Tower, 22 Adelaide  
St. West, TORONTO, ONTARIO, M5H4E3

## **TRADEMARK DETAILS**

### **Trademark Type**

Design

### **Visual Representation**

 **Manulife** Securities

### **Services**

#### **Class 36**

Financial services, namely life and health insurance and annuity services; trading in financial instruments, namely commodity trading, currency trading, stock and bond trading, and mutual funds, securities dealer and mutual fund dealer distribution and investment services, custodial services, private placement and capital market services; financial services, namely lending services

**Application Number** 1,926,715  
**Language of Application** English

**Filing Date** 2018-10-23

## APPLICANT AND AGENT DETAILS

### Applicant

The Manufacturers Life Insurance Company  
200 Bloor St. East, NT-10  
Toronto  
ONTARIO  
M4W1E5

### Agent

BORDEN LADNER GERVAIS LLP  
Bay Adelaide Centre, East Tower, 22 Adelaide  
St. West, TORONTO, ONTARIO, M5H4E3

## TRADEMARK DETAILS

# MANULIFE SECURITIES

### Trademark Type

Standard Characters

### Services

#### Class 35

(1) Wealth creation and financial planning services, namely tax services, and banking and insurance referral services

#### Class 36

(2) Financial services, namely life and health insurance and annuity services; trading in financial instruments, namely commodity trading, currency trading, stock and bond trading, and mutual funds, securities dealer and mutual fund dealer distribution and investment services, custodial services, private placement and capital market services, wealth creation services and financial planning services, namely estate planning services, lending services; providing online financial sales support to financial services agents, brokers and advisors.

#### Class 41

(3) Educational services related namely to life and health insurance and annuity services, trading in financial instruments, custodial services, private placement and capital market services, wealth creation services and financial planning services, namely tax and estate planning services, banking and insurance referral services and lending services.

**Application Number** 1,927,214  
**Language of Application** French

**Filing Date** 2018-10-25

## APPLICANT AND AGENT DETAILS

### Applicant

VIDÉOTRON LTÉE  
612 rue Saint-Jacques  
Montréal  
QUÉBEC  
H3C4M8

### Agent

FASKEN MARTINEAU DUMOULIN LLP  
800 rue Square-Victoria, BUREAU 3700, C.P.  
242, MONTREAL, QUÉBEC, H4Z1E9

## TRADEMARK DETAILS

# CLUB ILLICO

### Trademark Type

Word

### Services

#### Class 38

(1) Online provision of electronic notice boards for the transmission of messages among users related to general interest matters; Web-based messaging services; television broadcasting, broadcasting and streaming of audio-visual media content in the fields of news, sports, comedy, drama, music and music videos via a global computer network and a cloud computing service; video-on-demand transmission services.

#### Class 41

(2) Online provision of information via a global computer network and a cloud computing service related to motion pictures, television programs, music videos, music; provision of online interactive programming and resource guides in relation to motion pictures, television programs and music videos; production and rental of audiovisual works, namely motion pictures, television programs, music videos and music, to be streamed or downloaded, in the fields of news, entertainment consisting of dance performances and performances by musical groups, appearances by sports or cultural celebrities, boxing matches, sports, comedy, drama, music and music videos; provision of online interactive programming and resource guides in relation to motion pictures, television programs, music videos and music adapted to the programming preferences of the viewer; provision of blogs in the form of an online journal on the Internet featuring news report, entertainment consisting of dance performances and performances by musical groups, appearances by sports or cultural celebrities, boxing matches, sports, comedy, drama, music and music videos.

#### Class 42

(3) Cloud computing service, namely hosting of digital media on the Internet; provision of programming interfaces for website development and website application development.

**Application Number** 1,927,248  
**Language of Application** French

**Filing Date** 2018-10-25

## APPLICANT AND AGENT DETAILS

### Applicant

VIDÉOTRON LTÉE  
612 rue Saint-Jacques  
Montréal  
QUÉBEC  
H3C4M8

### Agent

FASKEN MARTINEAU DUMOULIN LLP  
800 rue Square-Victoria, BUREAU 3700, C.P.  
242, MONTREAL, QUÉBEC, H4Z1E9

## TRADEMARK DETAILS

# ILLICO CLOUD

### Trademark Type

Word

### Services

#### Class 38

(1) Online provision of electronic notice boards for the transmission of messages among users related to general interest matters; Web-based messaging services; television broadcasting, broadcasting and streaming of audio-visual media content in the fields of news, sports, comedy, drama, music and music videos via a global computer network and a cloud computing service; video-on-demand transmission services.

#### Class 41

(2) Online provision of information via a global computer network and a cloud computing service related to motion pictures, television programs, music videos, music; provision of online interactive programming and resource guides in relation to motion pictures, television programs and music videos; production and rental of audiovisual works, namely motion pictures, television programs, music videos and music, for streaming or download, in the fields of news, entertainment consisting of dance performances and performances by musical groups, appearances by sports or cultural celebrities, boxing matches, sports, comedy, drama, music and music videos; provision of online interactive programming and resource guides in relation to motion pictures, television programs, music videos and music adapted to the programming preferences of the viewer; provision of blogs in the form of an online journal on the Internet featuring news reports, entertainment consisting of dance performances and performances by musical groups, appearances by sports or cultural celebrities, boxing matches, sports, comedy, drama, music and music videos.

#### Class 42

(3) Cloud computing service, namely hosting of digital media on the Internet; provision of programming interfaces for website development and website application development.



**Application Number** 1,927,260  
**Language of Application** French

**Filing Date** 2018-10-25

## APPLICANT AND AGENT DETAILS

### Applicant

VIDÉOTRON LTÉE  
612 rue Saint-Jacques  
Montréal  
QUÉBEC  
H3C4M8

### Agent

FASKEN MARTINEAU DUMOULIN LLP  
800 rue Square-Victoria, BUREAU 3700, C.P.  
242, MONTREAL, QUÉBEC, H4Z1E9

## TRADEMARK DETAILS

# CLOUD ILLICO

### Trademark Type

Word

### Services

#### Class 38

(1) Online provision of electronic notice boards for the transmission of messages among users related to general interest matters; Web-based messaging services; television broadcasting, broadcasting and streaming of audio-visual media content in the fields of news, sports, comedy, drama, music and music videos via a global computer network and a cloud computing service; video-on-demand transmission services.

#### Class 41

(2) Online provision of information via a global computer network and a cloud computing service related to motion pictures, television programs, music videos, music; provision of online interactive programming and resource guides in relation to motion pictures, television programs and music videos; production and rental of audiovisual works, namely motion pictures, television programs, music videos and music, for streaming or download, in the fields of news, entertainment consisting of dance performances and performances by musical groups, appearances by sports or cultural celebrities, boxing matches, sports, comedy, drama, music and music videos; provision of online interactive programming and resource guides in relation to motion pictures, television programs, music videos and music adapted to the programming preferences of the viewer; provision of blogs in the form of an online journal on the Internet featuring news reports, entertainment consisting of dance performances and performances by musical groups, appearances by sports or cultural celebrities, boxing matches, sports, comedy, drama, music and music videos.

#### Class 42

(3) Cloud computing service, namely hosting of digital media on the Internet; provision of programming interfaces for website development and website application development.

**Application Number** 1,927,485  
**Language of Application** English

**Filing Date** 2018-10-26

## APPLICANT AND AGENT DETAILS

### Applicant

Honest Inc.  
270 Hunter Road  
Grimsby  
ONTARIO  
L3M0H5

### Agent

MCCARTHY TETRAULT LLP  
SUITE 5300, TORONTO DOMINION BANK  
TOWER, TORONTO-DOMINION CENTRE, 66  
Wellington Street West, Suite 5300, Box 48,  
TORONTO, ONTARIO, M5K1E6

## TRADEMARK DETAILS

# Rokt

### Trademark Type

Word

### Goods

#### Class 21

(1) Beer glasses; beer mugs.

#### Class 32

(2) Beer; non-alcoholic beer; non-alcoholic beer-flavored beverages.

**Application Number** 1,927,487  
**Language of Application** English

**Filing Date** 2018-10-26

## APPLICANT AND AGENT DETAILS

### Applicant

Honest Inc.  
270 Hunter Road  
Grimsby  
ONTARIO  
L3M0H5

### Agent

MCCARTHY TETRAULT LLP  
SUITE 5300, TORONTO DOMINION BANK  
TOWER, TORONTO-DOMINION CENTRE, 66  
Wellington Street West, Suite 5300, Box 48,  
TORONTO, ONTARIO, M5K1E6

## TRADEMARK DETAILS

### Trademark Type

Design

### Visual Representation



### Goods

#### Class 21

(1) Beer glasses; beer mugs.

#### Class 32

(2) Beer; non-alcoholic beer; non-alcoholic beer-flavoured beverages.

**Application Number** 1,927,492  
**Language of Application** English

**Filing Date** 2018-10-26

## APPLICANT AND AGENT DETAILS

### Applicant

Honest Inc.  
270 Hunter Road  
Grimsby  
ONTARIO  
L3M0H5

### Agent

MCCARTHY TETRAULT LLP  
SUITE 5300, TORONTO DOMINION BANK  
TOWER, TORONTO-DOMINION CENTRE, 66  
Wellington Street West, Suite 5300, Box 48,  
TORONTO, ONTARIO, M5K1E6

## TRADEMARK DETAILS

### Trademark Type

Design

### Visual Representation



### Goods

#### Class 21

(1) Beer glasses; beer mugs.

#### Class 32

(2) Beer; non-alcoholic beer; non-alcoholic beer-flavoured beverages.

**Application Number** 1,928,389  
**Language of Application** English

**Filing Date** 2018-11-01

## APPLICANT AND AGENT DETAILS

### Applicant

INTERBASIC HOLDING S.R.L.  
Strada Settecamini 116  
63811 Sant'Elpidio a Mare  
Fermo  
ITALY

### Agent

SMART & BIGGAR IP AGENCY CO.  
SUITE 900, 55 METCALFE STREET, P.O.  
BOX 2999, STATION D, OTTAWA, ONTARIO,  
K1P5Y6

## TRADEMARK DETAILS

### Trademark Type

Design

### Visual Representation



### Goods

#### Class 03

Perfumery; cosmetics; perfumes; eau de cologne; rose oil; cologne; after shave lotions; makeup; personal deodorants and antiperspirants; essential oils for personal use; soaps, namely, bar soap, bath soap, beauty soap, body soaps, facial soaps, hand soap; shaving soaps; bath oils; bath foams; bath cream; bath salts for cosmetic purposes; cleansing soaps for personal hygiene; shower soaps; shaving lotions; shaving creams; beauty creams; vanishing creams; skin lotions; hand creams; lotions, namely, baby lotion, body lotions, beauty lotions; body milk; cosmetic preparations for slimming purposes; sun oils, namely, after-sun oils, cosmetic sun oil, sun protection oils; sun milks, namely, after-sun milks, sun tan milk, cosmetic sun milk lotions; sunscreen lotions; talcum powder; tissues impregnated with cosmetic lotions; cotton stick for cleaning ears; cotton wool for cosmetic purposes; eyebrow pencils; eye liners; mascaras; face powder; lipsticks; eye make-up removers; cleansing milks; skin cleansing lotions; hair care preparations; shampoos; hair oils; henna for cosmetic purposes; hair lotions; hair creams; hair sprays; hair decolorants; nail polish; depilatories; cosmetic kits; dentifrices; laundry preparations, namely cleaning, polishing, scouring and abrasive preparations; bleach and laundry detergents; shoe and boot creams and polishes

**Application Number** 1,938,388  
**Language of Application** English

**Filing Date** 2018-12-28

## APPLICANT AND AGENT DETAILS

### Applicant

IMPERIAL TOBACCO PRODUCTS LIMITED  
3711 Saint-Antoine Street West  
Montreal  
QUEBEC  
H4C3P6

### Agent

SMART & BIGGAR LLP  
SUITE 900, 55 METCALFE STREET, P.O.  
BOX 2999, STATION D, OTTAWA, ONTARIO,  
K1P5Y6

## TRADEMARK DETAILS

# PALL MALL

### Trademark Type

Word

### Services

#### Class 41

online publications in the field of tobacco

**Application Number** 1,941,453  
**Language of Application** English

**Filing Date** 2019-01-18

## APPLICANT AND AGENT DETAILS

### Applicant

INTERBASIC HOLDING S.R.L.  
STRADA SETTECAMINI 116  
63811 SANT'ELPIDIO A MARE, FERMO  
ITALY

### Agent

SMART & BIGGAR IP AGENCY CO.  
SUITE 900, 55 METCALFE STREET, P.O.  
BOX 2999, STATION D, OTTAWA, ONTARIO,  
K1P5Y6

## TRADEMARK DETAILS

### Trademark Type

Design

### Visual Representation



### Goods

#### Class 03

(1) Perfumery; cosmetics; perfumes; eau de cologne; rose oil; makeup; eyebrow pencils; mascaras; lip-sticks; depilatories; essential oils for personal use; bath foams; bath cream; shaving lotions; beauty creams; vanishing creams; skin lotions; eye liners; cleansing milks; hair care preparations; hair creams; cologne; after shave lotions; personal deodorants and antiperspirants; soaps; shaving soaps; bath oils; bath salts for cosmetic purposes; cleansing soaps for personal hygiene; shower soaps; shaving creams; hand creams; lotions, namely, hand lotions, body lotions, eye lotions, facial lotions, foot lotion; body milk; cosmetic preparations for slimming purposes; sun oils, namely, after-sun oils, sun tan oils; sun milks, namely, after-sun milks, sun tan milk; sunscreen lotions; talcum powder; tissues impregnated with cosmetic lotions; cotton stick for cleaning ears; cotton wool for cosmetic purposes; face powder; eye make-up removers; skin cleansing lotions; shampoos; hair oils; henna for cosmetic purposes; hair lotions; hair sprays; hair decolorants; nail polish; cosmetic kits; dentifrices; laundry preparations, namely cleaning, polishing, scouring and abrasive preparations; bleach and laundry detergents; shoe and boot creams and polishes

**Class 09**

(2) Spectacles, sunglasses, lenses and frames therefor, contact lenses, optical lenses, magnifying glasses, cases, chains and cords for glasses and spectacles, parts and fittings for all the aforesaid goods; leather covers for portable multimedia players; leather covers for mobile phones; leather covers for DVDs; leather covers for CDs; leather covers for computer cables; leather covers for audio reproduction devices; leather covers for palmtops; leather covers for electronic agendas; leather covers for photographic cameras; leather covers for film cameras

**Class 14**

(3) Watches; pendulum clocks; precious stones; earrings; boxes of precious metal; cuff links; bracelets; clocks; chronographs and chronometers; rough gemstones; diamond; coral jewellery; emerald; sapphire; ruby; opal; topaz; aquamarine; rings, namely, jewellery rings; necklaces; ornamental pins made of precious metal; shoe ornaments of precious metal; pearl; jewels cases of precious metal; jewellery brooches; pins, namely, jewellery pins; tie clips; watch straps

**Class 18**

(4) Wallets; purses; trunks, namely, luggage trunks; suitcases; beach bags; cosmetic bags sold empty; Boston bags; Handbags; traveling bags; briefcases; leather briefcases; leather credit card holders; leather document briefcases; key cases of leather and skins; sports bags namely, all-purpose sport bags, athletic bags, and bags for mountain climbing, namely, backpacks and rucksacks; evening and shoulder bags for ladies; leather shopping bags; school bags; garment bags for travel; shoe bags for travel; diaper bags; traveling trunks; duffel bags; overnight bags; carry-all bags; satchels; opera bags; unfitted vanity cases; animal hides; leather cases and boxes; bags made of leather for packaging; leather straps; umbrellas; leather leashes

**Class 25**

(5) Jackets; jumpers; trousers; skirts; dresses; coats; overcoats; parkas; shirts; underwear; swim suits; dressing gowns; shawls; scarves; ties; shoes; heels; beach shoes; gymnastic shoes; boots; ski boots; half boots; sandals; bath sandals; visors (headwear); leather jackets; leather trousers; leather belts; belts; padded jackets; stuff jackets; jeans; sweaters; evening dresses; aloha shirts; sweat shirts; undershirts; polo shirts; blazers; sport shirts; rubber shoes; galoshes; golf shoes; basketball shoes; rugby shoes; boxing shoes; baseball shoes; track-racing shoes; work shoes; field hockey shoes; handball shoes; winter gloves; Leather coats; leather skirts; leather tops; leather raincoats; leather long coats; leather overcoats; leather braces for clothing; suits; cloaks; raincoats; pullovers; T-shirts; blouses; baby doll pajamas; bathrobes; bathing costumes; negligees; nightgowns; one-piece dresses; two-piece dresses; neckties; gentlemen suits; dress shirts; body suits; shorts; athletic shoes; slippers; overshoes; low heel shoes; leather shoes; wooden clog; angler shoes; dress shoes; hiking shoes; lacquered shoes; inner soles; soles for footwear; footwear upper, namely, shoe uppers, boot uppers; heelpieces for shoes and boots; non-slipping soles for shoes and boots; tips for footwear; rain shoes; straw shoes; arctic boots; football boots; laced boots; esparto shoes or sandals; gloves; leather gloves; mittens; hats and caps; leather hats and caps

**Claims**

Priority Filing Date: January 14, 2019, Country or Office: ITALY, Application No: 302019000003121 in association with the same kind of goods



**Application Number** 1,942,514  
**Language of Application** English

**Filing Date** 2019-01-24

## **APPLICANT AND AGENT DETAILS**

### **Applicant**

LITERIE PRIMO INC./PRIMO BEDDING  
COMPANY INC.  
7000 Hochelaga Street  
Montréal  
QUEBEC  
H1N1Y7

### **Agent**

JONATHAN N. AUERBACH  
(STIKEMAN ELLIOTT S.E.N.C.R.L., SRL/LLP),  
1155 RENE-LEVESQUE BLVD. WEST, SUITE  
4000, MONTREAL, QUEBEC, H3B3V2

## **TRADEMARK DETAILS**

# **CHILL**

### **Trademark Type**

Standard Characters

### **Goods**

#### **Class 20**

(1) Mattresses, mattress toppers,

#### **Class 24**

(2) Mattress covers

**Application Number** 1,946,077  
**Language of Application** English

**Filing Date** 2019-02-13

## APPLICANT AND AGENT DETAILS

### Applicant

Choirock Contents Factory Co., Ltd  
869, Buil-ro, Guro-gu  
Seoul, 08260  
REPUBLIC OF KOREA

### Agent

SMITHS IP  
SUITE 400 - 1367 WEST BROADWAY,  
VANCOUVER, BRITISH COLUMBIA, V6H4A7

## TRADEMARK DETAILS

# HELLO CARBOT

### Trademark Type

Standard Characters

### Goods

#### Class 09

(1) Abacuses, electric locks for vehicles, apparatus and instruments for physics, namely test weights, scientific prisms, ammeters, and barometers, chemistry apparatus and instruments namely, laboratory chemical reactors, laboratory glass plates, glass microscope slides, pipettors, dosage dispensers, laboratory mixers, and thermostats; optical inspection apparatus for analyzing defects on surfaces of wafers and printed circuits, optical inspection apparatus for inspecting the circuitry used in cell phones, optical inspection apparatus for inspection of food, optical multiplexers, optical reflectors, optical scanners, optical semiconductor amplifiers, optical sensors, optical shutters, optical switches, optical measurement apparatus comprised of optical sensors and a software application operated via computers for measuring geometrical dimensions of objects and distances between objects, for use in the automotive industry, construction industry, aerospace industry, metalworking industry, land and road surveying, optical communications instruments, namely optical transmitters, video receivers, photographic apparatus and instruments namely photographic cameras, digital cameras, photographic viewfinders, photographic projectors, video cameras, weighing apparatus and instruments for standard unit, namely baby scales, bathroom scales, laboratory scales and balances, medical scales, scales with body mass analyzers, automatic control apparatus and instruments namely, automatic vehicle speed control apparatus consisting of acceleration sensors, velocity sensors, speed sensors, automatic pressure control machines and instruments, namely automatic indicators of low pressure in tyres, eyeglasses, contact lenses, mechanism for coin-operated apparatus, namely automatic vending machines, automatic ticket dispensers, coin-operated gates for car parking facilities, coinoperated amusement electronic games, life jackets, survival suits, heat sensors, reflecting discs made of reflective tapes for wear during running, walking and training, for the prevention of traffic accidents, electric power distribution machines, namely power distribution boxes, electrical power distribution blocks, electric batteries for vehicles, Electric audio and visual apparatus and instruments, namely, audio speakers, audio amplifiers, woofers, stereo tuners, mp3 players, mp4 players, movie projectors, sound processors, video monitors, video tuners, televisions, audio and video receivers, video display terminals, Telecommunication machines and implements namely walkie-talkie, push to talk two way radios, intercoms, telephone sets, Computer programs namely, downloadable software for viewing cartoons, downloadable software for creating cartoons, downloadable

software for sharing cartoons, downloadable software for viewing animated films, downloadable software for creating animated films, downloadable software for sharing animated films, Computer software applications, downloadable, namely, software for viewing cartoons, software for creating cartoons, software for sharing cartoons, software for viewing animated films, software for creating animated films, software for sharing animated films, computer game software in the nature of computer games for use on mobile and cellular phones, handheld computers, computers and video game consoles, Computer application software for mobile phones, namely software for viewing cartoons, software for creating cartoons, software for sharing cartoons, software for viewing animated films, software for creating animated films, software for sharing animated films, Computer software for creating computer games and video games, Computer hardware and computer peripheral devices namely, keyboards, mouse, memory card readers, blank flash memory cards and sticks, blank USB flash drives, hard disk drives, webcams, decorative magnets, video game cartridges, signaling whistles, asbestos gloves for protection against accidents, protective helmets for sports, protective clothing in the nature of protective body armor, namely, ballistic, bullet, blast, slash and stab resistant vests, downloadable music files, pre-recorded CDs and DVDs containing music, prerecorded CDs and DVDs containing audio and video clips, pre-recorded laser discs containing music, prerecorded videotapes, pre-recorded electronic media featuring movies, documentaries, cartoons, music videos in the nature of CDs, DVDs, audio cassettes, video tapes, and laser discs, magnetic credit cards, downloadable tickets for event entry and venue access, namely sporting event tickets and live musical performance tickets, Films, namely exposed camera films, downloadable electronic publications namely, books, pamphlets, brochures, newsletters, journals, magazine, newspapers and periodicals in the field of game, toys, and animated films, downloadable electronic books, downloadable electronic newspapers, downloadable electronic study books and papers, compact discs, DVDs, and pre-recorded video tapes featuring animated cartoons, fire escapes, breathing apparatus for underwater swimming, electric door bells, protection masks namely face-protection masks, dust protective mask; computer games, video games

### **Class 28**

(2) butterfly nets, toys for domestic pets, ornaments for Christmas trees, except illumination articles and confectionery, fairground ride apparatus, namely, ride-on toys, toys namely soft dolls, puzzles, balloons, return top toys, toy figures attachable to pencils, rubber balls, children's multiple activity toys, basketballs, bath toys, baseballs, beach balls, collectible toy figures, doll accessories, doll playsets, electric action toys, equipment sold as a unit for playing card games consisting of playing cards, playing card cases, playing card shuffling machines, dice and cups for dice; footballs, mechanical toys, toy mobiles, toy vehicles, toy watches, and toy weapons, dolls, games namely, board game, arcade games, card games, sporting articles namely snow skis, water skis, surf skis, snowboards, sport gloves, wrist pads, elbow guards, shoulder pads, ankle pads, shin guards, knee guard, climbers' harness, golf bags, golf balls, golf gloves, golf equipment, namely clubs, club covers, fishing tackle, twirling batons

**Application Number** 1,946,078  
**Language of Application** English

**Filing Date** 2019-02-13

## APPLICANT AND AGENT DETAILS

### Applicant

Choirock Contents Factory Co., Ltd  
869, Buil-ro, Guro-gu  
Seoul, 08260  
REPUBLIC OF KOREA

### Agent

SMITHS IP  
SUITE 400 - 1367 WEST BROADWAY,  
VANCOUVER, BRITISH COLUMBIA, V6H4A7

## TRADEMARK DETAILS

# HELLO CARBOT KOONG

### Trademark Type

Standard Characters

### Goods

#### Class 09

(1) Abacuses, electric locks for vehicles, apparatus and instruments for physics, namely test weights, scientific prisms, ammeters, and barometers, chemistry apparatus and instruments namely, laboratory chemical reactors, laboratory glass plates, glass microscope slides, pipettors, dosage dispensers, laboratory mixers, and thermostats; optical inspection apparatus for analyzing defects on surfaces of wafers and printed circuits, optical inspection apparatus for inspecting the circuitry used in cell phones, optical inspection apparatus for inspection of food, optical multiplexers, optical reflectors, optical scanners, optical semiconductor amplifiers, optical sensors, optical shutters, optical switches, optical measurement apparatus comprised of optical sensors and a software application operated via computers for measuring geometrical dimensions of objects and distances between objects, for use in the automotive industry, construction industry, aerospace industry, metalworking industry, land and road surveying, optical communications instruments, namely optical transmitters, video receivers, photographic apparatus and instruments namely photographic cameras, digital cameras, photographic viewfinders, photographic projectors, video cameras, weighing apparatus and instruments for standard unit, namely baby scales, bathroom scales, laboratory scales and balances, medical scales, scales with body mass analyzers, automatic control apparatus and instruments namely, automatic vehicle speed control apparatus consisting of acceleration sensors, velocity sensors, speed sensors, automatic pressure control machines and instruments, namely automatic indicators of low pressure in tyres, eyeglasses, contact lenses, mechanism for coin-operated apparatus, namely automatic vending machines, automatic ticket dispensers, coin-operated gates for car parking facilities, coinoperated amusement electronic games, life jackets, survival suits, heat sensors, reflecting discs made of reflective tapes for wear during running, walking and training, for the prevention of traffic accidents, electric power distribution machines, namely power distribution boxes, electrical power distribution blocks, electric batteries for vehicles, Electric audio and visual apparatus and instruments, namely, audio speakers, audio amplifiers, woofers, stereo tuners, mp3 players, mp4 players, movie projectors, sound processors, video monitors, video tuners, televisions, audio and video receivers, video display terminals, Telecommunication machines and implements namely walkie-talkie, push to talk two way radios, intercoms, telephone sets, Computer programs namely, downloadable software for viewing cartoons, downloadable software for creating cartoons, downloadable

software for sharing cartoons, downloadable software for viewing animated films, downloadable software for creating animated films, downloadable software for sharing animated films, Computer software applications, downloadable, namely, software for viewing cartoons, software for creating cartoons, software for sharing cartoons, software for viewing animated films, software for creating animated films, software for sharing animated films, computer game software in the nature of computer games for use on mobile and cellular phones, handheld computers, computers and video game consoles, Computer application software for mobile phones, namely software for viewing cartoons, software for creating cartoons, software for sharing cartoons, software for viewing animated films, software for creating animated films, software for sharing animated films, Computer software for creating computer games and video games, Computer hardware and computer peripheral devices namely, keyboards, mouse, memory card readers, blank flash memory cards and sticks, blank USB flash drives, hard disk drives, webcams, decorative magnets, video game cartridges, signaling whistles, asbestos gloves for protection against accidents, protective helmets for sports, protective clothing in the nature of protective body armor, namely, ballistic, bullet, blast, slash and stab resistant vests, downloadable music files, pre-recorded CDs and DVDs containing music, prerecorded CDs and DVDs containing audio and video clips, pre-recorded laser discs containing music, prerecorded videotapes, pre-recorded electronic media featuring movies, documentaries, cartoons, music videos in the nature of CDs, DVDs, audio cassettes, video tapes, and laser discs, magnetic credit cards, downloadable tickets for event entry and venue access, namely sporting event tickets and live musical performance tickets, Films, namely exposed camera films, downloadable electronic publications namely, books, pamphlets, brochures, newsletters, journals, magazine, newspapers and periodicals in the field of game, toys, and animated films, downloadable electronic books, downloadable electronic newspapers, downloadable electronic study books and papers, compact discs, DVDs, and pre-recorded video tapes featuring animated cartoons, fire escapes, breathing apparatus for underwater swimming, electric door bells, protection masks namely face-protection masks, dust protective mask; computer games, video games

### **Class 28**

(2) butterfly nets, toys for domestic pets, ornaments for Christmas trees, except illumination articles and confectionery, fairground ride apparatus, namely, ride-on toys, toys namely soft dolls, puzzles, balloons, return top toys, toy figures attachable to pencils, rubber balls, children's multiple activity toys, basketballs, bath toys, baseballs, beach balls, collectible toy figures, doll accessories, doll playsets, electric action toys, equipment sold as a unit for playing card games consisting of playing cards, playing card cases, playing card shuffling machines, dice and cups for dice; footballs, mechanical toys, toy mobiles, toy vehicles, toy watches, and toy weapons, dolls, games namely, board game, arcade games, card games, sporting articles namely snow skis, water skis, surf skis, snowboards, sport gloves, wrist pads, elbow guards, shoulder pads, ankle pads, shin guards, knee guard, climbers' harness, golf bags, golf balls, golf gloves, golf equipment, namely clubs, club covers, fishing tackle, twirling batons

**Application Number** 1,946,816  
**Language of Application** English

**Filing Date** 2019-02-19

## APPLICANT AND AGENT DETAILS

### Applicant

InnoCan Pharma Ltd.  
10 Hamenofim Street  
Herzliya 4672561  
ISRAEL

### Agent

NEOMARK LTD.  
7450 rue Saint-Hubert, Montréal, QUEBEC,  
H2R2N3

## TRADEMARK DETAILS

# INNOCAN PHARMA

### Trademark Type

Standard Characters

### Goods

#### Class 03

(1) Non-medical cosmetics; cosmetics; non-medical toothpastes; perfumes; after sun creams; aftershave creams; anti-aging creams; anti-freckle creams; anti-wrinkle creams; aromatherapy creams; bath creams; beauty creams; body creams; cold cream; cosmetic creams and lotions; face and body creams; foot cream; hair creams; hand creams; lip cream; make-up removing creams; moisturizing creams; non-medicated skin creams; skin creams; tooth whitening creams; aromatherapy lotions; baby lotion; bath lotions; emulsions, gels and lotions for skin care; lotions for cosmetic purposes; lotions for face and body care; moisturising skin lotions; teeth cleaning lotions; age retardant gels for cosmetic purposes; bath and shower gels; bath gels; body gels; hair gel and hair mousse; moisturising gels; cosmetic hair regrowth inhibiting preparations; cosmetic kits; skin care cosmetics; toners for cosmetic use; tooth powder for cosmetic purposes; wrinkle-minimizing cosmetic preparations for topical facial use; anti-aging skin care preparations; foot masks for skin care; hair care preparations; non-medicated preparations for the care of hair; non-medicated preparations for the care of skin; non-medicated preparations for the care of the scalp; non-medicated skin care preparations; perfumed soaps; non medicated lip balm; non-medicated bath salts; cannabis oil for cosmetic purposes

#### Class 05

(2) Anti-itch creams; antibiotic cream; antibiotic creams; antifungal creams for medical use; aloe vera gels for therapeutic purposes; anti-inflammatory gels; antibacterial gels; anti-inflammatory ointments; pharmaceutical preparations for the relief of pain; pharmaceutical preparations for the treatment of chronic pain; pharmaceutical preparations for the treatment of cranial or facial nerve disorders; pharmaceutical preparations for the treatment of inflammatory connective tissue diseases and injuries; pharmaceutical preparations for the treatment of inflammatory muscle diseases and disorders; pharmaceutical preparations for the treatment of neurological disorders, namely, brain injury, spinal cord injury, seizure disorders; pharmaceutical preparations for the treatment of skin irritations, namely bee stings, sunburn, rashes, sores, corns, calluses, and acne; pharmaceutical preparations for the treatment of the musculoskeletal system, namely, connective tissue diseases, bone diseases, spinal diseases, back pain, fractures, sprains, cartilage injuries; preparations for cleansing the skin for medical use; acne medications; biochemical preparations

for medical use, namely, CBD loaded liposomes for injection, CBD loaded exosomes for inhalation and CBD loaded exosomes nasal spray; non-medical nutritional additives for animal foodstuffs; pain relief medication; pain relief medication for veterinary purposes; therapeutic medicated bath preparations; vitamin and mineral bars for medical purposes; vitamin and mineral preparations for medical use; cannabidiol for medical purposes; CBD oil for medical purposes; cannabidiol [CBD] oil for medical purposes; medicinal cannabis for the relief of nausea caused by chemotherapy; medicinal cannabis for the relief of nerve pain

**Application Number** 1,946,817  
**Language of Application** English

**Filing Date** 2019-02-19

## APPLICANT AND AGENT DETAILS

### Applicant

InnoCan Pharma Ltd.  
10 Hamenofim Street  
Herzliya 4672561  
ISRAEL

### Agent

NEOMARK LTD.  
7450 rue Saint-Hubert, Montréal, QUEBEC,  
H2R2N3

## TRADEMARK DETAILS

### Trademark Type

Design

### Visual Representation



INNOCAN  
PHARMA

### Goods

#### Class 03

(1) Non-medical cosmetics; cosmetics; non-medical toothpastes; perfumes; after sun creams; aftershave creams; anti-aging creams; anti-freckle creams; anti-wrinkle creams; aromatherapy creams; bath creams; beauty creams; body creams; cold cream; cosmetic creams and lotions; face and body creams; foot cream; hair creams; hand creams; lip cream; make-up removing creams; moisturizing creams; non-medicated skin creams; skin creams; tooth whitening creams; aromatherapy lotions; baby lotion; bath lotions; emulsions, gels and lotions for skin care; lotions for cosmetic purposes; lotions for face and body care; moisturising skin lotions; teeth cleaning lotions; age retardant gels for cosmetic purposes; bath and shower gels; bath gels; body gels; hair gel and hair mousse; moisturising gels; cosmetic hair regrowth inhibiting preparations; cosmetic kits; skin care cosmetics; toners for cosmetic use; tooth powder for cosmetic purposes; wrinkle-minimizing cosmetic preparations for topical facial use; anti-aging skin care preparations; foot masks for skin care; hair care preparations; non-medicated preparations for the care of hair; non-medicated preparations for the care of skin; non-medicated preparations for the care of the scalp; non-medicated skin care preparations; perfumed soaps; non medicated lip balm; non-medicated bath salts; cannabis oil for cosmetic purposes

#### Class 05

(2) Anti-itch creams; antibiotic cream; antibiotic creams; antifungal creams for medical use; aloe vera gels for therapeutic purposes; anti-inflammatory gels; antibacterial gels; anti-inflammatory ointments; pharmaceutical preparations for the relief of pain; pharmaceutical preparations for the treatment of chronic pain; pharmaceutical preparations for the treatment of cranial or facial nerve disorders; pharmaceutical preparations for the treatment of inflammatory connective tissue diseases and injuries; pharmaceutical preparations for the treatment of inflammatory muscle



diseases and disorders; pharmaceutical preparations for the treatment of neurological disorders, namely, brain injury, spinal cord injury, seizure disorders; pharmaceutical preparations for the treatment of skin irritations, namely bee stings, sunburn, rashes, sores, corns, calluses, and acne; pharmaceutical preparations for the treatment of the musculoskeletal system, namely, connective tissue diseases, bone diseases, spinal diseases, back pain, fractures, sprains, cartilage injuries; preparations for cleansing the skin for medical use; acne medications; biochemical preparations for medical use, namely, CBD loaded liposomes for injection, CBD loaded exosomes for inhalation and CBD loaded exosomes nasal spray; non-medical nutritional additives for animal foodstuffs; pain relief medication; pain relief medication for veterinary purposes; therapeutic medicated bath preparations; vitamin and mineral bars for medical purposes; vitamin and mineral preparations for medical use; cannabidiol for medical purposes; CBD oil for medical purposes; cannabidiol [CBD] oil for medical purposes; medicinal cannabis for the relief of nausea caused by chemotherapy; medicinal cannabis for the relief of nerve pain

**Application Number** 1,947,742  
**Language of Application** English

**Filing Date** 2019-02-22

## APPLICANT AND AGENT DETAILS

### Applicant

Shannex Incorporated  
621 Starboard Dr  
Halifax  
NOVA SCOTIA  
B3M0N5

### Agent

STEWART MCKELVEY  
600-1741 Lower Water Street, Halifax, NOVA  
SCOTIA, B3J3P6

## TRADEMARK DETAILS

# The Parkland Promise

### Trademark Type

Word

### Services

#### Class 36

(1) Providing guarantees of standards of service for retirement and seniors homes, independent living residences for seniors, and recreational, social, transportation, food & drink, medical, nursing, health and wellness services for seniors.

#### Class 41

(2) Recreational services for seniors and the elderly, namely arranging and conducting excursions, day trips, sightseeing tours, and cultural and exercise activities for seniors and the elderly; arranging and conducting social gatherings and meetings for seniors and the elderly.

#### Class 43

(3) Housing services for seniors; retirement and seniors home services; retirement and seniors homes; housing services in the form of independent living residences for seniors; food and drink catering for retirement and seniors homes.

#### Class 44

(4) Home-visit nursing and home visit seniors care, namely medical, nursing, health and wellness care, meal preparation, housekeeping and companionship services; hospice services; hospices; medical, nursing, health and wellness care services for seniors and the elderly; nursing home services; nursing homes; respite care services in the nature of nursing aid services and home nursing aid.

**Application Number** 1,949,848  
**Language of Application** English

**Filing Date** 2019-03-06

## APPLICANT AND AGENT DETAILS

### Applicant

Dole Food Company, Inc.  
One Dole Drive  
Westlake Village, CA 91362-7300  
UNITED STATES OF AMERICA

### Agent

GOWLING WLG (CANADA) LLP  
SUITE 1600, 1 FIRST CANADIAN PLACE, 100  
KING STREET WEST, TORONTO, ONTARIO,  
M5X1G5

## TRADEMARK DETAILS

# DOLE SOFT SERVE

### Trademark Type

Standard Characters

### Goods

#### Class 30

Frozen confections; non-dairy frozen confections, powdered mixes for making non-dairy frozen confections

**Application Number** 1,953,593  
**Language of Application** English

**Filing Date** 2019-03-26

## APPLICANT AND AGENT DETAILS

### Applicant

SCHRÉDER, Société Anonyme  
Rue de Lusambo, 67  
B - 1190 Brussels  
BELGIUM

### Agent

LAVERY, DE BILLY, LLP  
1 Place Ville Marie, Suite 4000, Montréal,  
QUEBEC, H3B4M4

## TRADEMARK DETAILS

# SCHREDER EXPERTS IN LIGHTABILITY

### Trademark Type

Standard Characters

### Goods

#### Class 09

(1) Electronic control gears [ECGs] for LED lamps and light fixtures; motion sensors for security lights; light regulators namely dimmers, electric; radio signal antennas for wireless reception, storage and transmission of data for modular and interactive lighting installations offering smart connected services namely wireless internet, cameras, loudspeakers, electric vehicle charges, SOS intercoms, 4G/5G base stations, small cells for wireless device connectivity, pollution sensors, sound transmitting systems, motion detectors, network IP speakers; computer interface software for modular and interactive lighting installations offering smart connected services namely wireless internet, cameras, loudspeakers, electric vehicle charges, SOS intercoms, 4G/5G base stations, small cells for wireless device connectivity, pollution sensors, sound transmitting systems, motion detectors, network IP speakers; electronic apparatus for wireless reception, storage and transmission of data and messages for modular and interactive lighting installations offering smart connected services namely wireless internet, cameras, loudspeakers, electric vehicle charges, SOS intercoms, 4G/5G base stations, small cells for wireless device connectivity, pollution sensors, sound transmitting systems, motion detectors, network IP speakers namely electric and electronic video surveillance installations and electrical control systems for lighting systems; apparatus for the input, output, transmission and storage of data for modular and interactive lighting installations offering smart connected services namely wireless internet, cameras, loudspeakers, electric vehicle charges, SOS intercoms, 4G/5G base stations, small cells for wireless device connectivity, pollution sensors, sound transmitting systems, motion detectors, network IP speakers namely computer central processing units and computer network switches for lighting systems; air analysis apparatus namely particle counters for measuring air quality; electrical charge controllers for modular and interactive lighting installations offering smart connected services namely wireless internet, cameras, loudspeakers, electric vehicle charges, SOS intercoms, 4G/5G base stations, small cells for wireless device connectivity, pollution sensors, sound transmitting systems, motion detectors, network IP speakers; wireless controllers to monitor and control the functioning of electronic devices namely light switches, for modular and interactive lighting installations offering smart connected services namely wireless internet, cameras, loudspeakers, electric vehicle charges, SOS intercoms, 4G/5G base stations, small cells for wireless device connectivity, pollution sensors, sound transmitting systems, motion detectors,

network IP speakers; electrical control, testing and monitoring apparatus namely electrical control systems for lighting systems, electric and electronic video surveillance installations, motion sensors for security lights, electric control panels and lighting control panels, optical sensors, electric connectors, temperature sensors, distance sensors, electrical transformers, for modular and interactive lighting installations offering smart connected services namely wireless internet, cameras, loudspeakers, electric vehicle charges, SOS intercoms, 4G/5G base stations, small cells for wireless device connectivity, pollution sensors, sound transmitting systems, motion detectors, network IP speakers; measuring and control apparatus and instruments namely electronic measuring detectors, for modular and interactive lighting installations offering smart connected services namely wireless internet, cameras, loudspeakers, electric vehicle charges, SOS intercoms, 4G/5G base stations, small cells for wireless device connectivity, pollution sensors, sound transmitting systems, motion detectors, network IP speakers; surveying instruments to analyze and to test modular and interactive lighting installations offering smart connected services namely wireless internet, cameras, loudspeakers, electric vehicle charges, SOS intercoms, 4G/5G base stations, pollutions sensors, sound transmitting systems, motion detectors, network IP speakers, small cells for wireless device connectivity; closed circuit TV systems for security and surveillance, namely, cameras, switchers, monitors, microphones, and recorders for modular and interactive lighting installations offering smart connected services namely wireless internet, cameras, loudspeakers, electric vehicle charges, SOS intercoms, 4G/5G base stations, small cells for wireless device connectivity, pollution sensors, sound transmitting systems, motion detectors, network IP speakers; electronic equipment, namely, transformers, cables used in connection with computers, televisions, audio-video equipment, closed-circuit TV equipment and telecommunication equipment namely computer hardware for telecommunications, for modular and interactive lighting installations offering smart connected services namely wireless internet, cameras, loudspeakers, electric vehicle charges, SOS intercoms, 4G/5G base stations, small cells for wireless device connectivity, pollution sensors, sound transmitting systems, motion detectors, network IP speakers; radio transmitters, receivers, and controllers for monitoring and controlling public lighting; wireless controllers to remotely monitor and control the function and status of other electrical, electronic, and mechanical devices or systems, namely lighting systems, excluding gaming apparatus; illumination regulators; intercommunication apparatus namely transceivers for remote controls, for lighting installations; sensors and detectors for lighting installations; measuring sensors for lighting installations; light systems comprising light sensors and switches; humidity sensors with integrated digital and analogue output circuitry used in appliance and light industrial applications to sense both relative humidity and temperature environmental conditions; environmental monitoring system comprised of meters and sensors that measure pressure, humidity, temperature and includes alarm and reporting functions for modular and interactive lighting installations offering smart connected services namely wireless internet, cameras, loudspeakers, electric vehicle charges, SOS intercoms, 4G/5G base stations, small cells for wireless device connectivity, pollution sensors, sound transmitting systems, motion detectors, network IP speakers; electronic sensors for measuring solar radiation; day and night vision systems primarily comprising day and night sensors, day and night cameras, power sources, communication means namely communications computers, monitors and operating software for lighting installations; active infra-red sensors for modular and interactive lighting installations offering smart connected services namely wireless internet, cameras, loudspeakers, electric vehicle charges, SOS intercoms, 4G/5G base stations, small cells for wireless device connectivity, pollution sensors, sound transmitting systems, motion detectors, network IP speakers; sensors for the determination of temperatures, positions and distances for modular and interactive lighting installations; telecommunications hardware namely computer hardware for telecommunications, and telecommunications software for monitoring and alerting remote sensor status via the Internet;

LED lighting controls for remote monitoring and remote control of outdoor lighting fixtures and for the control of illumination systems; hardware platforms for sustainable mobility namely digital signal processors, digital sound processors and digital voice signal processors.

### **Class 11**

(2) Lanterns for lighting; LED lights; light fittings; light fixtures; lighting apparatus namely electric lamps, ceiling lights, lighting diffusers, street lamps, fairy lights for festive decoration, luminaires, light diffusers; light diffusers; lighting installations; light panels; light projectors; mood lights; solar lights; wall lights; lightemitting diode [LED] lights; light- emitting diode [LED] lighting fixtures; light-emitting diode [LED] lighting installations; light-emitting diode [LED] mood lights; light-emitting diodes [LED] lighting apparatus namely LED landscape lights, LED luminaires, LED light bulbs, LED Flash lights, for modular and interactive lighting installations offering smart connected services namely wireless internet, cameras, loudspeakers, electric vehicle charges, SOS intercoms, 4G/5G base stations, small cells for wireless device connectivity, pollution sensors, sound transmitting systems, motion detectors, network IP speakers; lamp reflectors; ceiling light; ceiling light fittings; light- emitting diode [LED] luminaires; luminous tubes for lighting; outdoor light fittings; outdoor light fixtures; outdoor solar lights; wall light fixtures; wall light fittings; street lamps; lamps for outdoor use; infrared lighting fixtures; landscape lighting installations; LED (light emitting diodes) lighting fixtures for use in display, commercial, industrial, residential, and architectural accent lighting applications; LED light assemblies for street lights, signs, commercial lighting, buildings, and other architectural uses; LED lighting fixtures for modular and interactive lighting installations offering smart connected services namely wireless internet, cameras, loudspeakers, electric vehicle charges, SOS intercoms, 4G/5G base stations, small cells for wireless device connectivity, pollution sensors, sound transmitting systems, motion detectors, network IP speakers; LED modular and interactive lighting, namely, LED modules, power supplies, and wiring; lighting installations for sports arenas; lighting fixtures with motion detection for modular and interactive lighting installations offering smart connected services namely wireless internet, cameras, loudspeakers, electric vehicle charges, SOS intercoms, 4G/5G base stations, small cells for wireless device connectivity, pollution sensors, sound transmitting systems, motion detectors, network IP speakers; luminaires, using light emitting diodes [LEDs] as a light source, for street or roadway lighting; outdoor lighting, namely, paver lights; solar light fixtures, namely, indoor and outdoor solar powered lighting units and fixtures; highway illumination assemblies namely highway lamp posts; filters for illumination apparatus namely lighting diffusers and light filters; red [LED] flashlights for illumination purposes; security lighting incorporating a heat activated sensor; security lighting incorporating a movement activated sensor; smart and interactive lighting systems to encourage social connectivity in towns and cities, innovative lighting solutions helping people to connect to their public and private social environments and lighting solutions for sustainable mobility namely street lamps, street lights and lighting diffusers offering smart connected services related to light.

### **Services**

#### **Class 37**

(1) Installation, maintenance and repair of lighting apparatus namely electric lamps, ceiling lights, lighting diffusers, street lamps, fairy lights for festive decoration, luminaires, light diffusers, lighting instruments and lighting systems; installation, maintenance and repair of apparatus namely electrical repair and installation of lighting, and lighting systems for modular and interactive lighting installations offering smart connected services namely wireless internet, cameras, loudspeakers, electric vehicle charges, SOS intercoms, 4G/5G base stations, small cells for wireless device connectivity, pollution sensors, sound transmitting systems, motion detectors, network IP speakers;

advisory services relating to the installation of lighting apparatus namely electric lamps, ceiling lights, lighting diffusers, street lamps, fairy lights for festive decoration, luminaires, light diffusers, lighting instruments and lighting systems offering smart connected services namely wireless internet, cameras, loudspeakers, electric vehicle charges, SOS intercoms, 4G/5G base stations, small cells for wireless device connectivity, pollution sensors, sound transmitting systems, motion detectors, network IP speakers; installation, maintenance and repair of LED lighting apparatus namely LED landscape lights, LED luminaires, LED light bulbs, LED Flash lights; providing information relating to the repair and maintenance of lighting apparatus namely electric lamps, ceiling lights, lighting diffusers, street lamps, fairy lights for festive decoration, luminaires, light diffusers, lighting instruments and lighting systems; installation of photovoltaic cells and modules; antenna installation and repair; installation, maintenance and repair of street lamps; installation, maintenance and repair of electronic control apparatus for lighting apparatus namely electrical control systems for lighting systems, electric and electronic video surveillance installations, motion sensors for security lights, electric control panels and lighting control panels, optical sensors, electric connectors, temperature sensors, distance sensors, electrical transformers, lighting instruments and lighting systems offering smart connected services namely wireless internet, cameras, loudspeakers, electric vehicle charges, SOS intercoms, 4G/5G base stations, small cells for wireless device connectivity, pollution sensors, sound transmitting systems, motion detectors, network IP speakers; installation of closed circuit television systems; installation, maintenance and repair of computer hardware for lighting apparatus, lighting instruments and lighting systems offering smart connected services namely wireless internet, cameras, loudspeakers, electric vehicle charges, SOS intercoms, 4G/5G base stations, small cells for wireless device connectivity, pollution sensors, sound transmitting systems, motion detectors, network IP speakers.

#### **Class 42**

(2) Lighting design services; industrial design for lighting apparatus, lighting instruments and lighting systems offering smart connected services namely wireless internet, cameras, loudspeakers, electric vehicle charges, SOS intercoms, 4G/5G base stations, small cells for wireless device connectivity, pollution sensors, sound transmitting systems, motion detectors, network IP speakers; landscape lighting design services; technical consultancy in the field of light engineering; technical planning and consulting in the field of light engineering; computer software design in the field of light engineering; configuration, installation, fault diagnosis, repair, updating, upgrading and maintenance of computer software in the field of light engineering; maintenance of database software in the field of light engineering; design, development, maintenance and updating of computer software for process control in the field of light engineering; configuration, installation, fault diagnosis, repair, upgrading and maintenance of computer software for lighting apparatus, lighting instruments and lighting systems offering smart connected services namely wireless internet, cameras, loudspeakers, electric vehicle charges, SOS intercoms, 4G/5G base stations, small cells for wireless device connectivity, pollution sensors, sound transmitting systems, motion detectors, network IP speakers; development of computer software for use with computer-controlled switching systems for lighting apparatus, lighting instruments and lighting systems; design and development of software for control, regulation and monitoring of solar energy systems; monitoring of computer systems by remote access in the field of light engineering; outsource service providers of information technology in the field of light engineering; hosting computerized data, files, applications and information in the field of light engineering; electronic data collection namely electronic monitoring of air pollution degree, temperature, atmospheric pressure, noise level, light level using computers and sensors.

#### **Claims**

Priority Filing Date: December 10, 2018, Country or Office: BELGIUM, Application No: 1386696 in association with the same kind of goods and in association with the same kind of services



**Application Number** 1,954,072  
**Language of Application** English

**Filing Date** 2019-03-27

## **APPLICANT DETAILS**

### **Applicant**

DANIEL MALIN  
67 Walden Path SE  
Calgary  
ALBERTA  
T2X4C4

## **TRADEMARK DETAILS**

# **DANNYBOY APPAREL**

### **Trademark Type**

Word

### **Goods**

#### **Class 09**

(1) Sunglasses; Mousepads

#### **Class 16**

(2) Pens; Stickers

#### **Class 18**

(3) Handbags, purses, messenger bags, tote bags, and backpacks; Wallets

#### **Class 25**

(4) Casual clothing, athletic clothing, formal wear, children's clothing, sleepwear, swimwear, jackets, outdoor winter clothing, socks, and underwear; Neckties; Hats, gloves, mittens, and scarves; Belts; Shoes, boots, sandals, and slippers

### **Services**

#### **Class 35**

Wholesale and retail sale of clothing

**Application Number** 1,954,726  
**Language of Application** English

**Filing Date** 2019-04-01

## APPLICANT AND AGENT DETAILS

### Applicant

Sompo International Holdings Ltd.  
Waterloo House  
100 Pitts Bay Road  
Pembroke HM08  
BERMUDA

### Agent

GOWLING WLG (CANADA) LLP  
SUITE 1600, 1 FIRST CANADIAN PLACE, 100  
KING STREET WEST, TORONTO, ONTARIO,  
M5X1G5

## TRADEMARK DETAILS

# HARVESTLOCK

### Trademark Type

Word

### Services

#### Class 35

(1) business risk management; business risk management consultation

#### Class 36

(2) financial risk management; financial risk management consultation; reinsurance underwriting; insurance services, namely, writing property and casualty insurance; financial instrument trading, namely, derivatives transactions in the field of weather

### Claims

Priority Filing Date: October 02, 2018, Country or Office: UNITED STATES OF AMERICA,  
Application No: 88139727 in association with the same kind of services

**Application Number** 1,954,732  
**Language of Application** English

**Filing Date** 2019-04-01

## APPLICANT AND AGENT DETAILS

### Applicant

Sompo International Holdings Ltd.  
Waterloo House  
100 Pitts Bay Road  
Pembroke HM08  
BERMUDA

### Agent

GOWLING WLG (CANADA) LLP  
SUITE 1600, 1 FIRST CANADIAN PLACE, 100  
KING STREET WEST, TORONTO, ONTARIO,  
M5X1G5

## TRADEMARK DETAILS

# PRODUCTIONLOCK

### Trademark Type

Word

### Services

#### Class 35

(1) business risk management; business risk management consultation

#### Class 36

(2) financial risk management; financial risk management consultation; reinsurance underwriting; insurance services, namely, writing property and casualty insurance; financial instrument trading, namely, derivatives transactions in the field of weather

### Claims

Priority Filing Date: October 02, 2018, Country or Office: UNITED STATES OF AMERICA,  
Application No: 88139741 in association with the same kind of services

**Application Number** 1,957,099  
**Language of Application** English

**Filing Date** 2019-04-12

## APPLICANT AND AGENT DETAILS

### Applicant

Amazon Technologies, Inc.  
410 Terry Ave N  
Seattle, WA 98109  
UNITED STATES OF AMERICA

### Agent

CLARK WILSON LLP  
900 - 885 WEST GEORGIA STREET,  
VANCOUVER, BRITISH COLUMBIA, V6C3H1

## TRADEMARK DETAILS

# ALEXA, WHERE'S MY STUFF?

### Trademark Type

Standard Characters

### Services

#### Class 39

Transport and delivery of goods by truck, car, van, train, and air; monitoring and tracking of package shipments to ensure on-time delivery for business purposes; order fulfillment services, namely packing, tracking and shipping the products of others via truck, car, van, train, and air

### Claims

Priority Filing Date: October 16, 2018, Country or Office: UNITED STATES OF AMERICA,  
Application No: 88156499 in association with the same kind of services

**Application Number** 1,959,951  
**Language of Application** English

**Filing Date** 2019-04-29

## APPLICANT DETAILS

### Applicant

Shenzhen Bosidin Technology Co., Ltd.  
Room 101 201, building 4, jiashitai science and  
technology park  
no. 164 fengtang avenue, heping community,  
fuhai street  
bao 'an district, shenzhen  
CHINA

## TRADEMARK DETAILS

### Trademark Type

Design

### Visual Representation

### Goods

#### Class 07

(1) cereal processing machines; electrically operated curtain drawing machines; aerated beverage making machines; engraving machines; Lawnmowers; reapers; tea processing machines; sewing machines; spray damping machines for textile treatment; looms; machines for the mineralisation of drinking water; ironing machines for commercial use; centrifugal mills; disintegrators for chemical processing.

#### Class 08

(2) beard clippers; curling tongs; pedicure sets; razor cases; electric razors; non-electric razors; electric hair clippers; non-electric hair clippers; manicure sets; ear-piercing apparatus; electric and non-electric depilation appliances; electric manicure sets.

#### Class 10

(3) medical instruments for general examination; facial massagers; massage beds for medical purposes; vibrators massagers; aerosol dispensers for medical purposes; ankle braces for medical purposes; atomizers sold empty for medical purposes; heating cushions for medical purposes; hearing aids; sex toys.

#### Class 11

(4) evaporators for chemical processing; steam generators; lighting fixtures; germicidal lamps for purifying air; ultraviolet sterilizers for water treatment; laboratory lamps; hair dryers; electric fans for household purposes; sterilizers for medical use; toilet seats; gas purification machines.

#### Class 21

(5) electric combs; cosmetic spatulas; toilet cases; cosmetic brushes; perfume vaporizers; eyelash brushes; make-up brushes; abrasive sponges for scrubbing the skin; electric tooth brushes.

**Class 34**

(6) tobacco flavourings; cigarette filters; chemical flavourings in liquid form used to refill electronic cigarette cartridges; tobacco; electronic cigarettes; herbs for use as tobacco substitutes; cigarettes; herbs for smoking; cigarette lighters; liquid solutions for use in electronic cigarettes; cigarette boxes; tobacco pipes; oral vaporizers for smokers; matches.

**Services**

**Class 35**

(1) preparing and placing outdoor advertisements for others; advertising by transmission of on-line publicity for third parties through electronic communications networks; advertising and business management consultancy; business management advisory services relating to franchising; advice and information about customer services and product management and prices on Internet sites in connection with purchases made over the Internet; export and import agencies; computerized market research services; accounting; retail services for pharmaceutical, veterinary and sanitary preparations and medical supplies; business intermediary services relating to the matching of potential private investors with entrepreneurs needing funding.

**Class 42**

(2) computer Programming; computer software design; conversion of data or documents from physical to electronic media; design, installation, updating and maintenance of computer software; computer file management; cloud computing providing software for database management; technical surveying; providing quality control for the food industry; providing quality management systems auditing; providing quality control of automobile parts; industrial design; packaging design; clothing design.

**Application Number** 1,962,478  
**Language of Application** French

**Filing Date** 2019-05-13

## APPLICANT AND AGENT DETAILS

### Applicant

L'OREAL, société anonyme  
14 rue Royale  
75008 Paris  
FRANCE

### Agent

FASKEN MARTINEAU DUMOULIN LLP  
800 rue Square-Victoria, BUREAU 3700, C.P.  
242, MONTREAL, QUÉBEC, H4Z1E9

## TRADEMARK DETAILS

# DREAM RADIANT LIQUID

### Trademark Type

Word

### Goods

Class 03

Make-up.

**Application Number** 1,968,194  
**Language of Application** English

**Filing Date** 2019-06-10

## APPLICANT AND AGENT DETAILS

### Applicant

H&M Hennes & Mauritz AB  
Mäster Samuelsgatan 46 A  
11157 Stockholm  
SWEDEN

### Agent

GOWLING WLG (CANADA) LLP  
SUITE 2600, 160 ELGIN STREET, OTTAWA,  
ONTARIO, K1P1C3

## TRADEMARK DETAILS

# ITSAPARK

### Trademark Type

Word

### Services

#### Class 35

(1) Providing a searchable online advertising guide featuring the goods and services of online vendors; Providing consumer information in the field of shopping via the Internet; Endorsement services, namely, promoting the goods and services of others through advertisements on Internet websites; Retail services relating to hand soaps, shower cream, shampoos, food supplements, hair conditioning preparations, nonmedicated skin lotions, hand cream, body scrubs, washing products for textiles, preparations for dishwashing purposes, sun glasses, headphones, cell phone cases, jewellery, bells, paper mats, paper tablecloths, address books, paint brushes, pens (office requisites), chalk, paperclips, tape for stationery purposes, of books, magazines (periodicals); retail services relating to napkins of paper, erasers, bags, trunks, backpacks, computer carriers, pocket wallets, sashes, umbrellas; Retail services in relation to clothing, underwear, swim wear, shoes, headgear; Marketing services in the field of arranging for the distribution of the products of others; marketing analysis services. Arrangements, reservation, information, research, advice and assistance, namely, providing information, ratings, and reviews relating to home shopping

#### Class 38

(2) Providing access to a website enabling users to share information, ratings, and reviews relating to home shopping and personal fashion via an interactive website

#### Class 45

(3) Information relating to fashion coordination services for individuals provided in person and via an online website; personal fashion consulting services; Providing consultancy services in the field of personal fashion via a website. Arrangements, reservation, information, research, advice and assistance, namely, providing information, ratings, and reviews relating to personal fashion

### Claims

Priority Filing Date: December 14, 2018, Country or Office: EUIPO (EU), Application No: 018000385 in association with the same kind of services



**Application Number** 1,975,618  
**Language of Application** English

**Filing Date** 2019-06-14

## APPLICANT AND AGENT DETAILS

### Applicant

HEXO OPERATIONS INC.  
3000 Solandt  
Ottawa  
ONTARIO  
K2K2X2

### Agent

SMART & BIGGAR LLP  
SUITE 900, 55 METCALFE STREET, P.O.  
BOX 2999, STATION D, OTTAWA, ONTARIO,  
K1P5Y6

## TRADEMARK DETAILS

### Trademark Type

Design

### Visual Representation

### Goods

#### Class 01

(1) cannabinoids for use in the manufacture of cosmetics, oils, dietary and nutritional supplements, food and beverages; plant extracts, namely, cannabidiol derived from hemp for use in the manufacture of cosmetics, soaps, oils, supplements, food and beverages

#### Class 03

(2) non-medicated cosmetics and toiletry preparations, namely, shampoos, hair care preparations, body creams and lotions, body oils, and body deodorant, containing cannabinoids; non-medicated cosmetics and toiletry preparations, namely, shampoos, hair care preparations, body creams and lotions, body oils, and body deodorant, containing cannabidiol derived from hemp

#### Class 05

(3) Nutritional supplements for general health and well-being containing cannabinoids; nutritional supplements for general health and well-being containing cannabidiol derived from hemp; medicated cosmetics, medicated soaps, medicated oils, medicated supplements, medicated food and medicated beverages, namely, vitamin fruit jellies, granola bars, nutritional bars for boosting energy, cookies, muffins, brownies, potato chips, cereal-based snack food, popcorn, vitamin preparations in the form of meal replacement drinks and powders, electrolyte drinks for medical purposes, all containing cannabinoids and all for general health and well-being; medicated cosmetics, medicated soaps, medicated oils, medicated supplements, medicated food and medicated beverages, namely, vitamin fruit jellies, granola bars, nutritional bars for boosting

energy, cookies, muffins, brownies, potato chips, cereal-based snack food, popcorn, vitamin preparations in the form of meal replacement drinks and powders, electrolyte drinks for medical purposes, all containing cannabidiol derived from hemp and all for general health and well-being; cannabis and hemp extracts for medical use

**Class 09**

(4) weighing scales for the preparation of cannabis

**Class 21**

(5) pill bottles for the storage of cannabis

**Class 29**

(6) processed nuts, namely, peanut butter, almond butter, cashew butter, processed edible seeds, namely, prepared sunflower seeds, sunflower seed butter, sesame seed butter, dried fruit, cheese, dried vegetables, fruit-based snack food, edible oils, all containing cannabis and cannabis derivatives, namely, cannabinoids; processed nuts, namely, peanut butter, almond butter, cashew butter, processed edible seeds, namely, prepared sunflower seeds, sunflower seed butter, sesame seed butter, dried fruit, cheese, dried vegetables, fruit-based snack food, edible oils, all containing cannabidiol derived from hemp

**Class 30**

(7) candy, cereal bars, energy bars, biscuits, pastries and confectionery, namely, sugar confectionery, fruitbased confectionery, peanut confectionery, toffee, caramels, ice cream and sorbets, pretzels and popcorn, all containing cannabis and cannabis derivatives, namely, cannabinoids; candy, cereal bars, energy bars, biscuits, pastries and confectionery, namely, sugar confectionery, fruit-based confectionery, peanut confectionery, toffee, caramels, ice cream and sorbets, pretzels and popcorn, all containing cannabidiol derived from hemp; tea, coffee, ready to drink tea based beverages, ready to drink coffee based beverages, all containing cannabis and cannabis derivatives, namely cannabinoids; tea, coffee, ready to drink tea based beverages, ready to drink coffee based beverages, all containing cannabidiol derived from hemp

**Class 31**

(8) live cannabis plants, cannabis seeds, fresh cannabis; live hemp plants, hemp seeds

**Class 32**

(9) non-alcoholic beverages containing cannabinoids, namely, mineral and aerated waters, fruit beverages and fruit juices, energy drinks, non-alcoholic beers, soft drinks; non-alcoholic beverages containing cannabidiol derived from hemp, namely, mineral and aerated waters, fruit beverages and fruit juices, energy drinks, non-alcoholic beers, soft drinks

**Class 34**

(10) Cannabis accessories for the preparation, use and storage of cannabis, namely, water pipes, vaporizers, bong, bowls, hookah, rolling papers, blunts, roach clips, lighters, torches, ashtrays, grinders; smokers' articles, namely, smoking pipes, pouches for use with cannabis, lighters for smokers; smokers' articles, namely, oral vaporizers for smokers; cannabis and marijuana for recreational use; derivatives of cannabis, namely, oils for recreational use; hemp derivatives, namely, oils for recreational use; dried cannabis

**Services****Class 35**

(1) retail, online and wholesale sale in the fields of hemp, hemp derivatives, recreational and medical cannabis, recreational and medical marijuana, cannabis derivative products, cannabis

infused products, namely, food, beverages, skin care products, pharmaceutical products, natural health products, and cannabis accessories; advisory services relating to development, management and operation of businesses in the healthcare industry, the medical marijuana and cannabis industry, the marijuana and cannabis industry and high-technology industry; providing online directory information services relating to medical cannabis, medical marijuana and related, infused and derivative products and hemp, hemp derivatives and products containing hemp and hemp derivatives; organization, management and administration of customer and patient loyalty services; import and export of marijuana and cannabis and their related and derivative products to Government approved sources in other countries

**Class 40**

(2) Production and processing of marijuana and cannabis

**Class 42**

(3) providing information on research related to medical marijuana and medical cannabis via a website; hosting a website that allows users to rate, review and make recommendations on recreational cannabis, medical marijuana and medical cannabis products and cannabis infused, related and derivative products, hemp and hemp derivatives and products containing hemp and hemp derivatives via a website; Scientific research and development in the field of hemp, hemp derivatives, medical marijuana, medical cannabis, marijuana, cannabis, their related products and derivatives for the development of therapeutics, and to target specific symptoms, diseases, illnesses and disorders; Development services of marijuana and cannabis products; Research and development in the field of cannabis

**Class 44**

(4) Operation of a medical and recreational cannabis dispensary; providing information on medical marijuana and medical cannabis, their related strains, cannabis infused products, related products and derivative products, hemp, hemp derivatives and products containing hemp and hemp derivatives via a website; providing information regarding indications and effects of particular cannabis strain via a website; consulting services including in the fields of medical use of marijuana, cannabis and their derivatives and hemp and hemp derivatives; cultivating, breeding, and growing of marijuana and cannabis

**Application Number** 1,975,619  
**Language of Application** English

**Filing Date** 2019-06-14

## APPLICANT AND AGENT DETAILS

### Applicant

HEXO OPERATIONS INC.  
3000 Solandt  
Ottawa  
ONTARIO  
K2K2X2

### Agent

SMART & BIGGAR LLP  
SUITE 900, 55 METCALFE STREET, P.O.  
BOX 2999, STATION D, OTTAWA, ONTARIO,  
K1P5Y6

## TRADEMARK DETAILS

# HEXO

### Trademark Type

Standard Characters

### Goods

#### Class 01

(1) cannabinoids for use in the manufacture of cosmetics, oils, dietary and nutritional supplements, food and beverages; plant extracts, namely, cannabidiol derived from hemp for use in the manufacture of cosmetics, soaps, oils, supplements, food and beverages

#### Class 03

(2) non-medicated cosmetics and toiletry preparations, namely, shampoos, hair care preparations, body creams and lotions, body oils, and body deodorant, containing cannabinoids; non-medicated cosmetics and toiletry preparations, namely, shampoos, hair care preparations, body creams and lotions, body oils, and body deodorant, containing cannabidiol derived from hemp

#### Class 05

(3) Nutritional supplements for general health and well-being containing cannabinoids; nutritional supplements for general health and well-being containing cannabidiol derived from hemp; medicated cosmetics, medicated soaps, medicated oils, medicated supplements, medicated food and medicated beverages, namely, vitamin fruit jellies, granola bars, nutritional bars for boosting energy, cookies, muffins, brownies, potato chips, cereal-based snack food, popcorn, vitamin preparations in the form of meal replacement drinks and powders, electrolyte drinks for medical purposes, all containing cannabinoids and all for general health and well-being; medicated cosmetics, medicated soaps, medicated oils, medicated supplements, medicated food and medicated beverages, namely, vitamin fruit jellies, granola bars, nutritional bars for boosting energy, cookies, muffins, brownies, potato chips, cereal-based snack food, popcorn, vitamin preparations in the form of meal replacement drinks and powders, electrolyte drinks for medical purposes, all containing cannabidiol derived from hemp and all for general health and well-being; cannabis and hemp extracts for medical use

#### Class 09

(4) weighing scales for the preparation of cannabis

#### Class 21

(5) pill bottles for the storage of cannabis

#### **Class 29**

(6) processed nuts, namely, peanut butter, almond butter, cashew butter, processed edible seeds, namely, prepared sunflower seeds, sunflower seed butter, sesame seed butter, dried fruit, cheese, dried vegetables, fruit-based snack food, edible oils, all containing cannabis and cannabis derivatives, namely, cannabinoids; processed nuts, namely, peanut butter, almond butter, cashew butter, processed edible seeds, namely, prepared sunflower seeds, sunflower seed butter, sesame seed butter, dried fruit, cheese, dried vegetables, fruit-based snack food, edible oils, all containing cannabidiol derived from hemp

#### **Class 30**

(7) candy, cereal bars, energy bars, biscuits, pastries and confectionery, namely, sugar confectionery, fruitbased confectionery, peanut confectionery, toffee, caramels, ice cream and sorbets, pretzels and popcorn, all containing cannabis and cannabis derivatives, namely, cannabinoids; candy, cereal bars, energy bars, biscuits, pastries and confectionery, namely, sugar confectionery, fruit-based confectionery, peanut confectionery, toffee, caramels, ice cream and sorbets, pretzels and popcorn, all containing cannabidiol derived from hemp; tea, coffee, ready to drink tea based beverages, ready to drink coffee based beverages, all containing cannabis and cannabis derivatives, namely cannabinoids; tea, coffee, ready to drink tea based beverages, ready to drink coffee based beverages, all containing cannabidiol derived from hemp

#### **Class 31**

(8) live cannabis plants, cannabis seeds, fresh cannabis; live hemp plants, hemp seeds

#### **Class 32**

(9) non-alcoholic beverages containing cannabinoids, namely, mineral and aerated waters, fruit beverages and fruit juices, energy drinks, non-alcoholic beers, soft drinks; non-alcoholic beverages containing cannabidiol derived from hemp, namely, mineral and aerated waters, fruit beverages and fruit juices, energy drinks, non-alcoholic beers, soft drinks

#### **Class 34**

(10) Cannabis accessories for the preparation, use and storage of cannabis, namely, water pipes, vaporizers, bongs, bowls, hookah, rolling papers, blunts, roach clips, lighters, torches, ashtrays, grinders; smokers' articles, namely, smoking pipes, pouches for use with cannabis, lighters for smokers; smokers' articles, namely, oral vaporizers for smokers; cannabis and marijuana for recreational use; derivatives of cannabis, namely, oils for recreational use; hemp derivatives, namely, oils for recreational use; dried cannabis

#### **Services**

#### **Class 35**

(1) retail, online and wholesale sale in the fields of hemp, hemp derivatives, recreational and medical cannabis, recreational and medical marijuana, cannabis derivative products, cannabis infused products, namely, food, beverages, skin care products, pharmaceutical products, natural health products, and cannabis accessories; advisory services relating to development, management and operation of businesses in the healthcare industry, the medical marijuana and cannabis industry, the marijuana and cannabis industry and high-technology industry; providing online directory information services relating to medical cannabis, medical marijuana and related, infused and derivative products and hemp, hemp derivatives and products containing hemp and

hemp derivatives; organization, management and administration of customer and patient loyalty services; import and export of marijuana and cannabis and their related and derivative products to Government approved sources in other countries

**Class 40**

(2) Production and processing of marijuana and cannabis

**Class 42**

(3) providing information on research related to medical marijuana and medical cannabis via a website; hosting a website that allows users to rate, review and make recommendations on recreational cannabis, medical marijuana and medical cannabis products and cannabis infused, related and derivative products, hemp and hemp derivatives and products containing hemp and hemp derivatives via a website; Scientific research and development in the field of hemp, hemp derivatives, medical marijuana, medical cannabis, marijuana, cannabis, their related products and derivatives for the development of therapeutics, and to target specific symptoms, diseases, illnesses and disorders; Development services of marijuana and cannabis products; Research and development in the field of cannabis

**Class 44**

(4) Operation of a medical and recreational cannabis dispensary; providing information on medical marijuana and medical cannabis, their related strains, cannabis infused products, related products and derivative products, hemp, hemp derivatives and products containing hemp and hemp derivatives via a website; providing information regarding indications and effects of particular cannabis strain via a website; consulting services including in the fields of medical use of marijuana, cannabis and their derivatives and hemp and hemp derivatives; cultivating, breeding, and growing of marijuana and cannabis

**Application Number** 1,984,492  
**Language of Application** English

**Filing Date** 2017-10-05

## APPLICANT AND AGENT DETAILS

### Applicant

British Columbia Automobile Association  
4567 Canada Way  
Burnaby  
BRITISH COLUMBIA  
V5G4T1

### Agent

LAWSON LUNDELL LLP  
1600 CATHEDRAL PLACE, 925 WEST  
GEORGIA STREET, VANCOUVER, BRITISH  
COLUMBIA, V6C3L2

## TRADEMARK DETAILS

# EVO

### Trademark Type

Standard Characters

### Services

#### Class 39

provision of autonomous vehicles for customer transport, namely: passenger transport services using autonomous vehicles, namely, shuttles, taxis, trains, buses, boats, cars, trucks, vans, trams, scooters, motorbikes, RVs and aircraft; rental, leasing and sharing of autonomous vehicles, namely, shuttles, taxis, trains, buses, boats, cars, trucks, vans, trams, scooters, motorbikes, RVs and aircraft

**Application Number** 1,984,505  
**Language of Application** English

**Filing Date** 2017-10-05

## APPLICANT AND AGENT DETAILS

### Applicant

British Columbia Automobile Association  
4567 Canada Way  
Burnaby  
BRITISH COLUMBIA  
V5G4T1

### Agent

LAWSON LUNDELL LLP  
1600 CATHEDRAL PLACE, 925 WEST  
GEORGIA STREET, VANCOUVER, BRITISH  
COLUMBIA, V6C3L2

## TRADEMARK DETAILS

### Trademark Type

Design

### Visual Representation



### Services

#### Class 39

provision of autonomous vehicles for customer transport, namely: passenger transport services using autonomous vehicles, namely, shuttles, taxis, trains, buses, boats, cars, trucks, vans, trams, scooters, motorbikes, RVs and aircraft; rental, leasing and sharing of autonomous vehicles, namely, shuttles, taxis, trains, buses, boats, cars, trucks, vans, trams, scooters, motorbikes, RVs and aircraft



**Application Number** 1,984,508  
**Language of Application** English

**Filing Date** 2017-10-05

## APPLICANT AND AGENT DETAILS

### Applicant

British Columbia Automobile Association  
4567 Canada Way  
Burnaby  
BRITISH COLUMBIA  
V5G4T1

### Agent

LAWSON LUNDELL LLP  
1600 CATHEDRAL PLACE, 925 WEST  
GEORGIA STREET, VANCOUVER, BRITISH  
COLUMBIA, V6C3L2

## TRADEMARK DETAILS

### Trademark Type

Design

### Visual Representation



### Services

#### Class 39

provision of autonomous vehicles for customer transport, namely: passenger transport services using autonomous vehicles, namely, shuttles, taxis, trains, buses, boats, cars, trucks, vans, trams, scooters, motorbikes, RVs and aircraft; rental, leasing and sharing of autonomous vehicles, namely, shuttles, taxis, trains, buses, boats, cars, trucks, vans, trams, scooters, motorbikes, RVs and aircraft

**Application Number** 1,984,997  
**Language of Application** English

**Filing Date** 2019-09-13

## APPLICANT AND AGENT DETAILS

### Applicant

Aurora Marijuana Inc.  
c/o suite 500  
10355 Jasper Avenue  
Edmonton  
ALBERTA  
T5J1Y6

### Agent

PARLEE MCLAWS LLP  
1700 Enbridge Centre, 10175-101 Street NW,  
EDMONTON, ALBERTA, T5J0H3

## TRADEMARK DETAILS

# SPEARMINT CHILLERS

### Trademark Type

Standard Characters

### Goods

#### Class 30

Mints infused with cannabis; mints for breath freshening; mints containing cannabidiol [CBD]; mints containing tetrahydrocannabinol [THC]

**Application Number** 1,984,998  
**Language of Application** English

**Filing Date** 2019-09-13

## APPLICANT AND AGENT DETAILS

### Applicant

Aurora Marijuana Inc.  
c/o suite 500  
10355 Jasper Avenue  
Edmonton  
ALBERTA  
T5J1Y6

### Agent

PARLEE MCLAWS LLP  
1700 Enbridge Centre, 10175-101 Street NW,  
EDMONTON, ALBERTA, T5J0H3

## TRADEMARK DETAILS

# PEPPERMINT CHILLERS

### Trademark Type

Standard Characters

### Goods

#### Class 30

Mints infused with cannabis; mints for breath freshening; mints containing cannabidiol [CBD]; mints containing tetrahydrocannabinol [THC]

**Application Number** 2,011,052  
**Language of Application** English

**Filing Date** 2020-02-11

## APPLICANT AND AGENT DETAILS

### Applicant

Vitech Systems Sub LLC  
401 Park Avenue South, 12th Floor  
New York, NY 10016  
UNITED STATES OF AMERICA

### Agent

GOWLING WLG (CANADA) LLP  
SUITE 1600, 1 FIRST CANADIAN PLACE, 100  
KING STREET WEST, TORONTO, ONTARIO,  
M5X1G5

## TRADEMARK DETAILS

# V3

### Trademark Type

Standard Characters

### Goods

#### Class 09

Computer software for use in administering retirement, investment, insurance, health, and benefits plans; computer software for improving workflow processes in the administration of retirement, investment, insurance, health, and benefits plans.

### Services

#### Class 42

Design, development, implementation, customization, configuration, administration, and testing of computer software for others; computer systems integration services; cloud computing featuring software for use in administering retirement, investment, insurance, health and benefits plans; hosting software for others; technical consulting services in the fields of public and private cloud computing solutions, and evaluation and implementation of internet technology and services; software as a service (SAAS) services, namely, hosting software for use by others for use in interacting with databases for administering retirement, investment, insurance, health, and benefits plans.

**Application Number** 2,011,053  
**Language of Application** English

**Filing Date** 2020-02-11

## APPLICANT AND AGENT DETAILS

### Applicant

Vitech Systems Sub LLC  
401 Park Avenue South, 12th Floor  
New York, NY 10016  
UNITED STATES OF AMERICA

### Agent

GOWLING WLG (CANADA) LLP  
SUITE 1600, 1 FIRST CANADIAN PLACE, 100  
KING STREET WEST, TORONTO, ONTARIO,  
M5X1G5

## TRADEMARK DETAILS

# VITECH

### Trademark Type

Standard Characters

### Goods

#### Class 09

Computer software for use in administering retirement, investment, insurance, health, and benefits plans; computer software for improving workflow processes in the administration of retirement, investment, insurance, health, and benefits plans.

### Services

#### Class 42

Design, development, implementation, customization, configuration, administration, and testing of computer software for others; computer systems integration services; cloud computing featuring software for use in administering retirement, investment, insurance, health and benefits plans; hosting software for others; technical consulting services in the fields of public and private cloud computing solutions, and evaluation and implementation of internet technology and services; software as a service (SAAS) services, namely, hosting software for use by others for use in interacting with databases for administering retirement, investment, insurance, health, and benefits plans.

**Application Number** 2,018,926  
**Language of Application** English

**Filing Date** 2020-03-23

## APPLICANT AND AGENT DETAILS

### Applicant

ATB Financial  
2100, 10020 - 100 Street Edmonton  
Edmonton  
ALBERTA  
T5J0N3

### Agent

DENTONS CANADA LLP  
TORONTO-DOMINION CENTRE, 77 KING  
STREET WEST, SUITE 400, TORONTO,  
ONTARIO, M5X1B2

## TRADEMARK DETAILS

# OPEN ATB

### Trademark Type

Standard Characters

### Goods

#### Class 09

A computer software platform used for banking services, which makes available Application Programming Interfaces to computer software developers.

### Services

#### Class 42

A platform as a service featuring computer software platforms for use in the field of banking for accessing Application Programming Interfaces.

---

**Applications to extend the statement of goods or services**

---

**Application Number** 821,220(01)  
**Registration Number** TMA487,804  
**Language of Application** English

**Filing Date** 2018-05-31

**APPLICANT AND AGENT DETAILS****Applicant**

MARK'S WORK WEARHOUSE LTD.  
1035-64TH AVENUE S.E.  
CALGARY  
ALBERTA  
T2H2J7

**Agent**

GOWLING WLG (CANADA) LLP  
SUITE 1600, 1 FIRST CANADIAN PLACE, 100  
KING STREET WEST, TORONTO, ONTARIO,  
M5X1G5

**TRADEMARK DETAILS****DAKOTA****Trademark Type**

Word

**Goods****Class 18**

Bags, namely, purses, handbags, backpacks, sports bags, bota bags, rucksacks, tote bags, gear bags, namely, tool bags, and all-purpose carrying bags and wallets

**Application Number** 1,259,654(01)  
**Registration Number** TMA666,705  
**Language of Application** English

**Filing Date** 2018-04-12

## APPLICANT AND AGENT DETAILS

### Applicant

Life on Queen Inc.  
10 - 2401 Queen Street East  
Toronto  
ONTARIO  
M4E1H6

### Agent

CASSELS BROCK & BLACKWELL LLP  
SCOTIA PLAZA, SUITE 2100, 40 KING  
STREET WEST, TORONTO, ONTARIO,  
M5H3C2

## TRADEMARK DETAILS

# ZOOTCH

### Trademark Type

Word

### Goods

#### Class 09

Downloadable software in the nature of a social media application designed to permit users of the software to exchange direct text messages with anyone or everyone in their proximity.

### Services

#### Class 45

Social introduction and networking services provided through the Internet.



---

**Public notices under section 9 of the *Trademarks Act***

---

Application Number 926,273

**PROHIBITED MARK DETAILS****THUNDERBIRD**

The Registrar hereby gives public notice under subparagraph 9(1)(n)(iii) of the Trademarks Act, of the adoption and use in Canada by Uchucklesaht Tribe Government of the mark shown here, as an official mark for goods and services.

Application Number 926,274

## PROHIBITED MARK DETAILS

# THUNDERBIRD SPIRIT WATER

The Registrar hereby gives public notice under subparagraph 9(1)(n)(iii) of the Trademarks Act, of the adoption and use in Canada by Uchucklesaht Tribe Government of the mark shown here, as an official mark for goods and services.

Application Number 926,275

## PROHIBITED MARK DETAILS

# REFRESH YOUR SPIRIT

The Registrar hereby gives public notice under subparagraph 9(1)(n)(iii) of the Trademarks Act, of the adoption and use in Canada by Uchucklesaht Tribe Government of the mark shown here, as an official mark for goods and services.

Application Number 926,362

## PROHIBITED MARK DETAILS

# Parc national et réserve de parc national Kluane

The Registrar hereby gives public notice under subparagraph 9(1)(n)(iii) of the Trademarks Act, of the adoption and use in Canada by Parks Canada Agency of the mark shown here, as an official mark for goods and services.

Application Number 926,363

## PROHIBITED MARK DETAILS

# Kouchibouguac National Park

The Registrar hereby gives public notice under subparagraph 9(1)(n)(iii) of the Trademarks Act, of the adoption and use in Canada by Parks Canada Agency of the mark shown here, as an official mark for goods and services.

Application Number 926,364

## PROHIBITED MARK DETAILS

# Parc national Kouchibouguac

The Registrar hereby gives public notice under subparagraph 9(1)(n)(iii) of the Trademarks Act, of the adoption and use in Canada by Parks Canada Agency of the mark shown here, as an official mark for goods and services.

Application Number 926,365

## PROHIBITED MARK DETAILS

# La Mauricie National Park

The Registrar hereby gives public notice under subparagraph 9(1)(n)(iii) of the Trademarks Act, of the adoption and use in Canada by Parks Canada Agency of the mark shown here, as an official mark for goods and services.

Application Number 926,366

## PROHIBITED MARK DETAILS

# Parc national de la Mauricie

The Registrar hereby gives public notice under subparagraph 9(1)(n)(iii) of the Trademarks Act, of the adoption and use in Canada by Parks Canada Agency of the mark shown here, as an official mark for goods and services.



Application Number 926,367

## PROHIBITED MARK DETAILS

# Mingan Archipelago National Park Reserve

The Registrar hereby gives public notice under subparagraph 9(1)(n)(iii) of the Trademarks Act, of the adoption and use in Canada by Parks Canada Agency of the mark shown here, as an official mark for goods and services.

Application Number 926,368

## PROHIBITED MARK DETAILS

# Réserve de parc national de l'Archipel-de-Mingan

The Registrar hereby gives public notice under subparagraph 9(1)(n)(iii) of the Trademarks Act, of the adoption and use in Canada by Parks Canada Agency of the mark shown here, as an official mark for goods and services.

Application Number 926,369

## PROHIBITED MARK DETAILS

# Riding Mountain National Park

The Registrar hereby gives public notice under subparagraph 9(1)(n)(iii) of the Trademarks Act, of the adoption and use in Canada by Parks Canada Agency of the mark shown here, as an official mark for goods and services.

Application Number 926,370

## PROHIBITED MARK DETAILS

# Parc national du Mont-Riding

The Registrar hereby gives public notice under subparagraph 9(1)(n)(iii) of the Trademarks Act, of the adoption and use in Canada by Parks Canada Agency of the mark shown here, as an official mark for goods and services.

Application Number 926,371

## PROHIBITED MARK DETAILS

# Sable Island National Park Reserve

The Registrar hereby gives public notice under subparagraph 9(1)(n)(iii) of the Trademarks Act, of the adoption and use in Canada by Parks Canada Agency of the mark shown here, as an official mark for goods and services.

Application Number 926,372

## PROHIBITED MARK DETAILS

# Réserve de parc national de l'Île-de-Sable

The Registrar hereby gives public notice under subparagraph 9(1)(n)(iii) of the Trademarks Act, of the adoption and use in Canada by Parks Canada Agency of the mark shown here, as an official mark for goods and services.

Application Number 926,373

## PROHIBITED MARK DETAILS

# Thousand Islands National Park

The Registrar hereby gives public notice under subparagraph 9(1)(n)(iii) of the Trademarks Act, of the adoption and use in Canada by Parks Canada Agency of the mark shown here, as an official mark for goods and services.

Application Number 926,374

## PROHIBITED MARK DETAILS

# Parc national des Mille-Îles

The Registrar hereby gives public notice under subparagraph 9(1)(n)(iii) of the Trademarks Act, of the adoption and use in Canada by Parks Canada Agency of the mark shown here, as an official mark for goods and services.



Application Number 926,375

## PROHIBITED MARK DETAILS

# Rouge National Urban Park

The Registrar hereby gives public notice under subparagraph 9(1)(n)(iii) of the Trademarks Act, of the adoption and use in Canada by Parks Canada Agency of the mark shown here, as an official mark for goods and services.

Application Number 926,376

## PROHIBITED MARK DETAILS

# Parc urbain national de la Rouge

The Registrar hereby gives public notice under subparagraph 9(1)(n)(iii) of the Trademarks Act, of the adoption and use in Canada by Parks Canada Agency of the mark shown here, as an official mark for goods and services.

Application Number 926,424

## PROHIBITED MARK DETAILS

# BRUCE INNOVATES

The Registrar hereby gives public notice under subparagraph 9(1)(n)(iii) of the Trademarks Act, of the adoption and use in Canada by CORPORATION OF THE COUNTY OF BRUCE of the mark shown here, as an official mark for goods and services.

---

**Withdrawal notices under section 9 of the *Trademarks Act***

---

Application Number 913,503

**PROHIBITED MARK DETAILS**

Public notice is hereby given of the withdrawal by Her Majesty the Queen in Right of Canada, as Represented by the Minister of the Environment of its mark shown here, published under subparagraph 9(1)(n)(iii) of the Trademarks Act in the Trademarks Journal of October 31, 2001

Application Number 913,504

**PROHIBITED MARK DETAILS**



Public notice is hereby given of the withdrawal by Her Majesty the Queen in Right of Canada, as Represented by the Minister of the Environment of its mark shown here, published under subparagraph 9(1)(n)(iii) of the Trademarks Act in the Trademarks Journal of October 31, 2001

**Application Number** 913,505

**PROHIBITED MARK DETAILS**

**Camp Green, Canada!**

Public notice is hereby given of the withdrawal by Her Majesty the Queen in Right of Canada, as Represented by the Minister of the Environment of its mark shown here, published under subparagraph 9(1)(n)(iii) of the Trademarks Act in the Trademarks Journal of October 31, 2001

**Application Number** 913,506

**PROHIBITED MARK DETAILS**

**Camping éco-l'eau, Canada!**

Public notice is hereby given of the withdrawal by Her Majesty the Queen in Right of Canada, as Represented by the Minister of the Environment of its mark shown here, published under subparagraph 9(1)(n)(iii) of the Trademarks Act in the Trademarks Journal of October 31, 2001